



US00D931841S

(12) **United States Design Patent** (10) **Patent No.:** **US D931,841 S**
Cho et al. (45) **Date of Patent:** **** Sep. 28, 2021**

(54) **TELEVISION**

FOREIGN PATENT DOCUMENTS

(71) Applicant: **SAMSUNG ELECTRONICS CO., LTD.**, Suwon-si (KR)

KR 300785505 S 9/2015
KR 300794124 S 11/2015

(Continued)

(72) Inventors: **Chulyong Cho**, Suwon-si (KR); **Minsun Kang**, Suwon-si (KR); **Jinsu Park**, Suwon-si (KR); **Danbi Kang**, Suwon-si (KR)

OTHER PUBLICATIONS

Apple TV Remote OLD Version, first available Mar. 5, 2017, turbosquid.com/, [online], [site visited Dec. 18, 2020], Available from internet URL: <https://www.turbosquid.com/3d-models/3d-old-apple-tv-remote-model/1133358> (Year: 2017).*

(73) Assignee: **SAMSUNG ELECTRONICS CO., LTD.**, Gyeonggi-Do (KR)

(**) Term: **15 Years**

Primary Examiner — Samantha Q Lawrence

Assistant Examiner — Holly M Rodriguez

(21) Appl. No.: **29/697,054**

(74) *Attorney, Agent, or Firm* — Cantor Colburn LLP

(22) Filed: **Jul. 3, 2019**

(57) **CLAIM**

The ornamental design for a television, as shown and described.

(30) **Foreign Application Priority Data**

Jan. 4, 2019 (KR) 30-2019-0000548

DESCRIPTION

(51) **LOC (13) Cl.** **14-03**

(52) **U.S. Cl.**
USPC **D14/239**

(58) **Field of Classification Search**
USPC ... D14/125-137, 133 AA, 138 AB, 138 AC, D14/138 AD, 138 C, 138 G, 138 R, 147, D14/203.3-203.8, 218, 239, 240, 247, D14/248, 315-318, 341-347, 371, 374, D14/388-389, 420, 426, 496; D25/138, D25/140-144, 103; D6/300-314;
(Continued)

FIG. 1 is a front perspective view of a television, showing our new design;
FIG. 2 is a front view thereof;
FIG. 3 is a rear view thereof;
FIG. 4 is a left-side view thereof;
FIG. 5 is a right-side view thereof;
FIG. 6 is a top view thereof;
FIG. 7 is a bottom view thereof;
FIG. 8 is a rear perspective view thereof;
FIG. 9 is an enlarged view of the portion 9 in FIG. 1;
FIG. 10 is an enlarged view of the portion 10 in FIG. 8; and,
FIG. 11 is an exploded rear perspective view thereof.
The even-dash broken lines illustrating portions of the television form no part of the claimed design. The dot-dash broken lines encircling enlargement portions of the claimed design form no part of the claimed design.

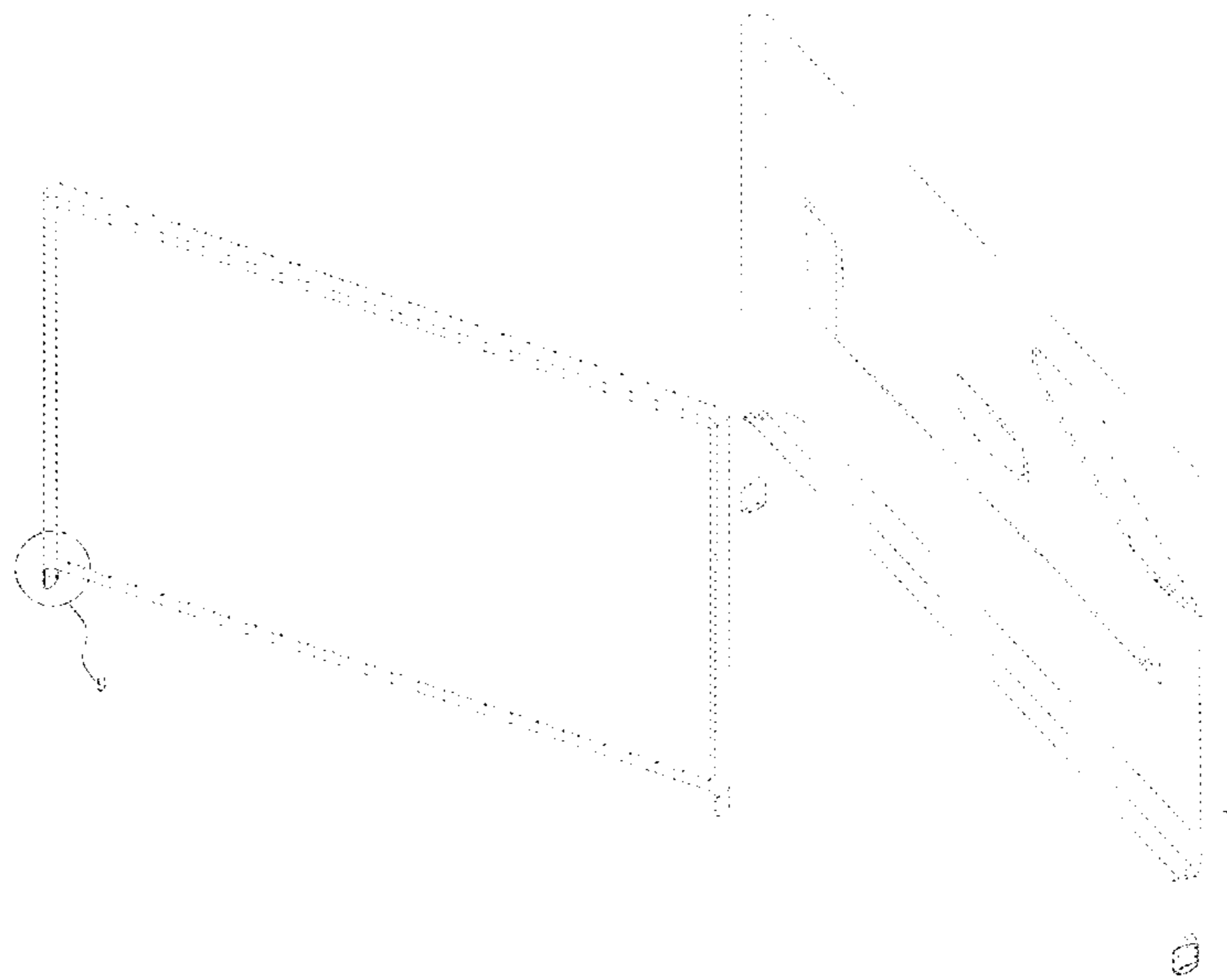
(56) **References Cited**

U.S. PATENT DOCUMENTS

D30,693 S * 5/1899 Fredericks D6/708.17
D291,006 S * 7/1987 Minichillo D25/122
D378,301 S * 3/1997 Leksell D20/10

(Continued)

1 Claim, 8 Drawing Sheets



(58) **Field of Classification Search**

USPC D13/101-103, 118-119, 184, 199;
D12/106
CPC ... G06F 1/1613; G06F 1/1626; G06G 3/0488;
G06G 3/04886; H04M 1/725; H04M
1/0202; H04M 1/0266; Y02B 10/102;
H02S 30/10; H02S 20/04; H02S 40/38;
F21Y 2105/10; F21Y 2115/10; Y02E
10/50; Y02E 10/544; H01L 31/042; H01L
31/048; H01L 31/02008; F21V 15/01;
F21V 23/06

See application file for complete search history.

(56) **References Cited**

U.S. PATENT DOCUMENTS

5,787,621 A * 8/1998 Leksell G09F 15/0025
40/606.12
D760,523 S * 7/2016 Bonuccelli D6/709
D821,370 S * 6/2018 Kim D14/239
D835,058 S * 12/2018 Kim D14/126
D846,908 S * 4/2019 Ou D6/371
D888,695 S * 6/2020 Seong D14/230
D905,649 S * 12/2020 Kim D14/126
2009/0119956 A1* 5/2009 Martin Presa G09F 1/06
40/1
2011/0114804 A1* 5/2011 Liu F16M 11/08
248/121
2017/0155869 A1* 6/2017 Ikemoto H04N 5/44

FOREIGN PATENT DOCUMENTS

KR 300794125 S 11/2015
KR 300803748 S 12/2015
KR 300877051 S 10/2018

* cited by examiner

FIG. 1

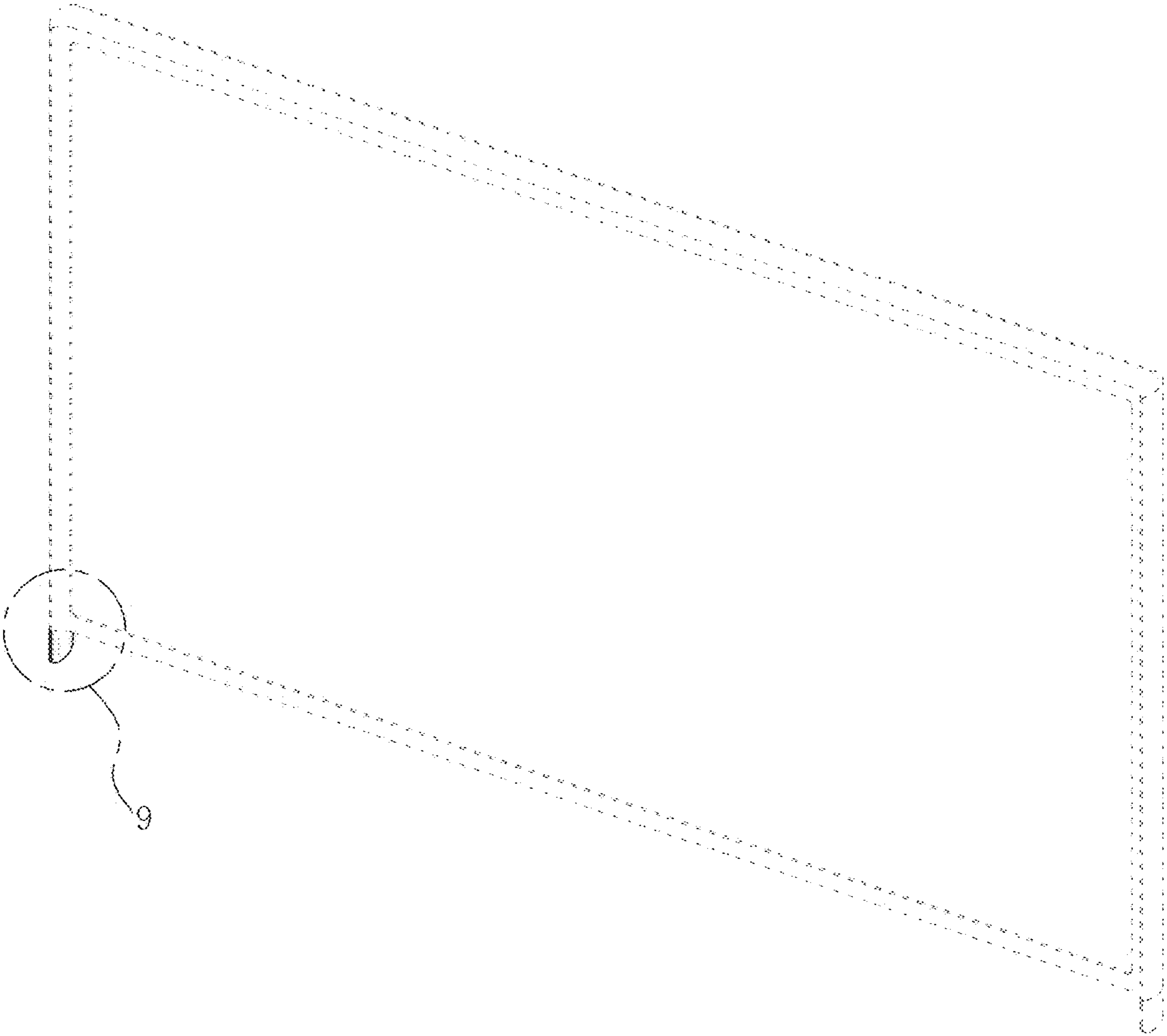


FIG. 2

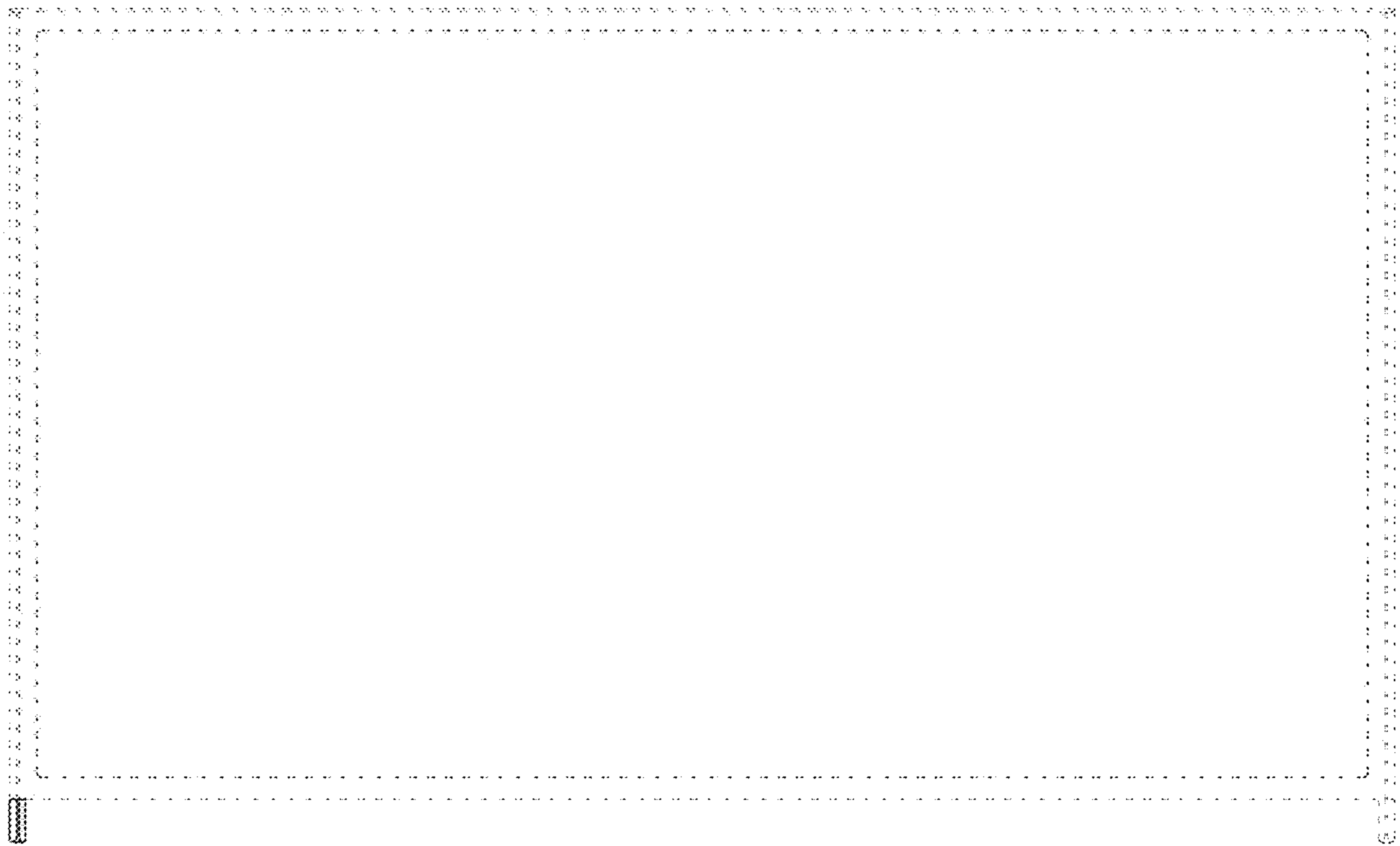


FIG. 3

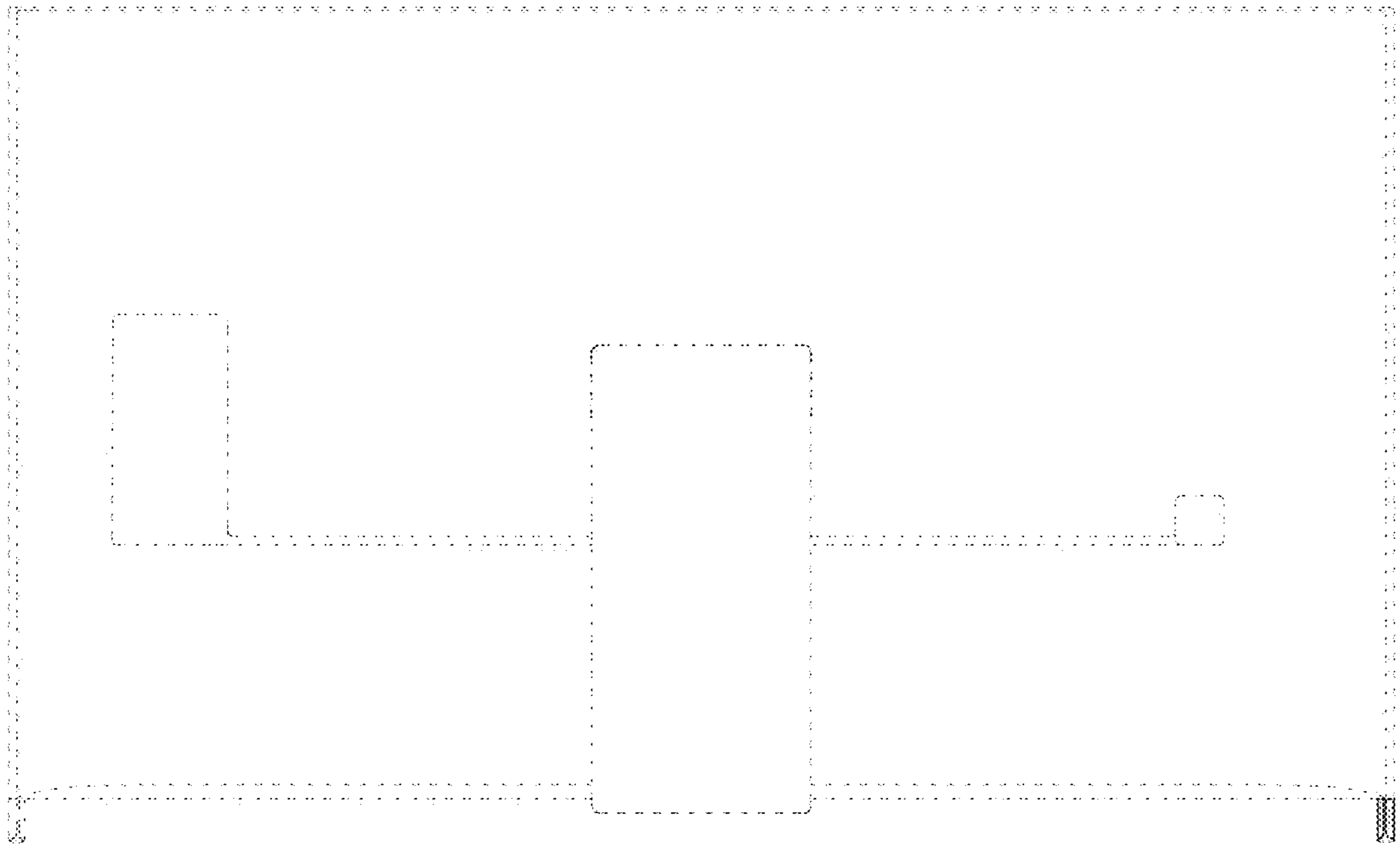


FIG. 4

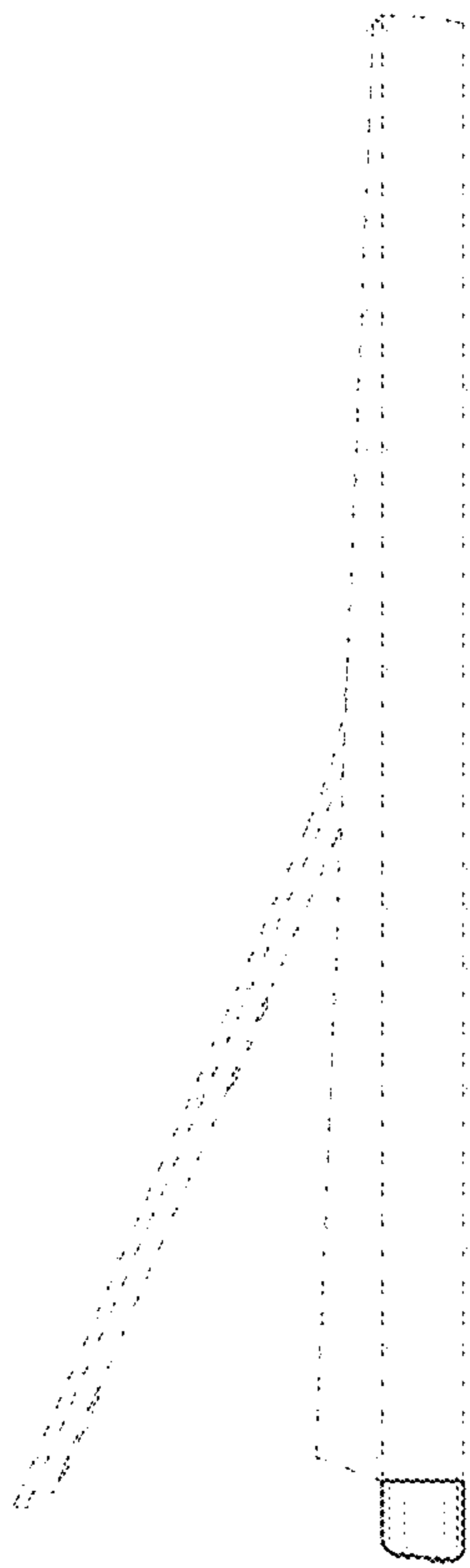


FIG. 5

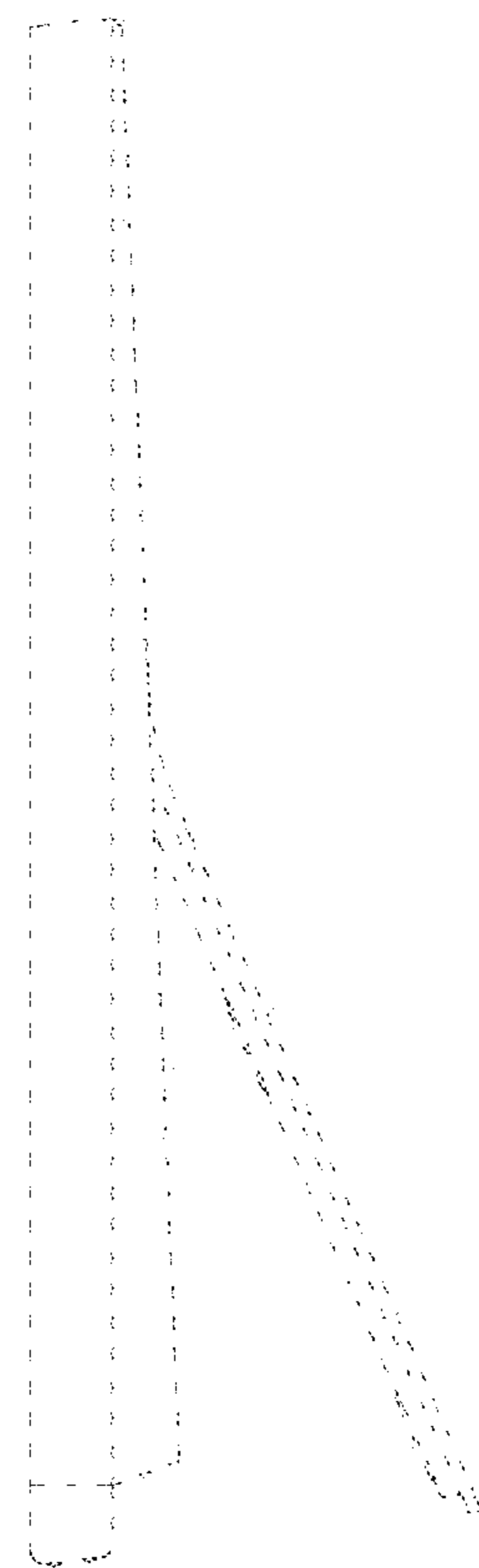


FIG. 6

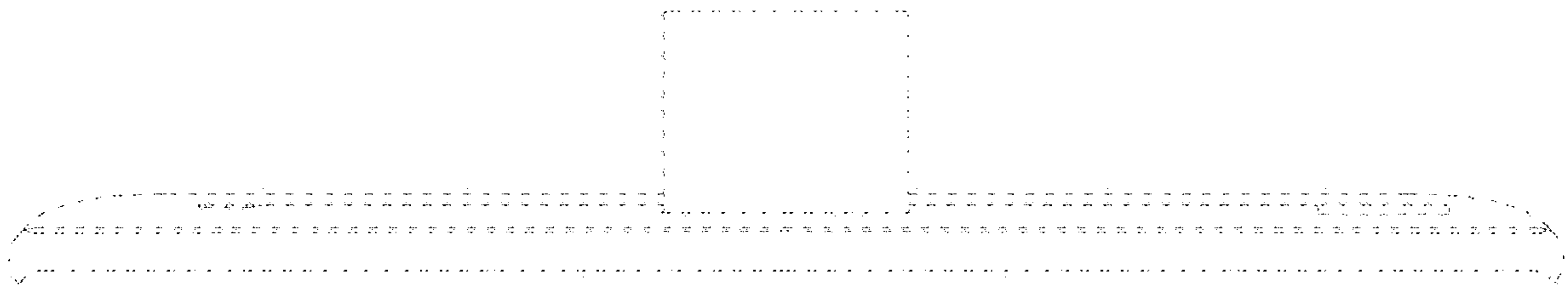


FIG. 7

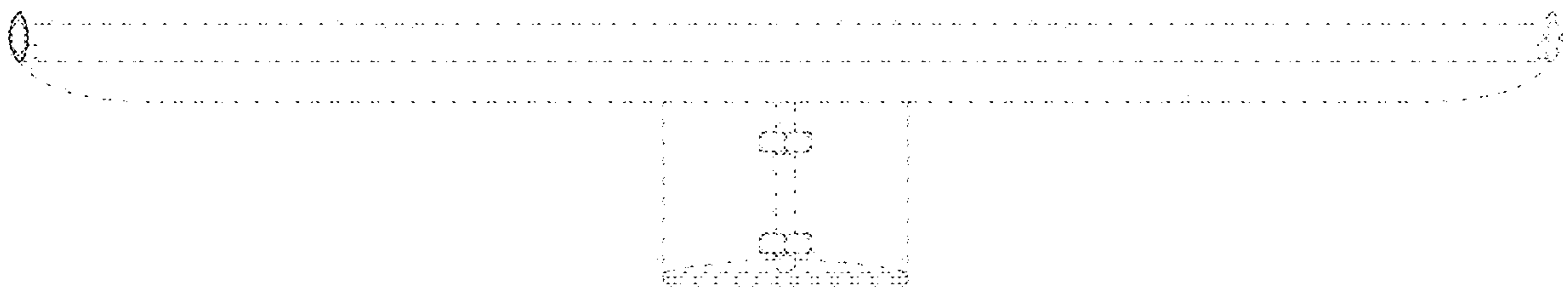


FIG. 8

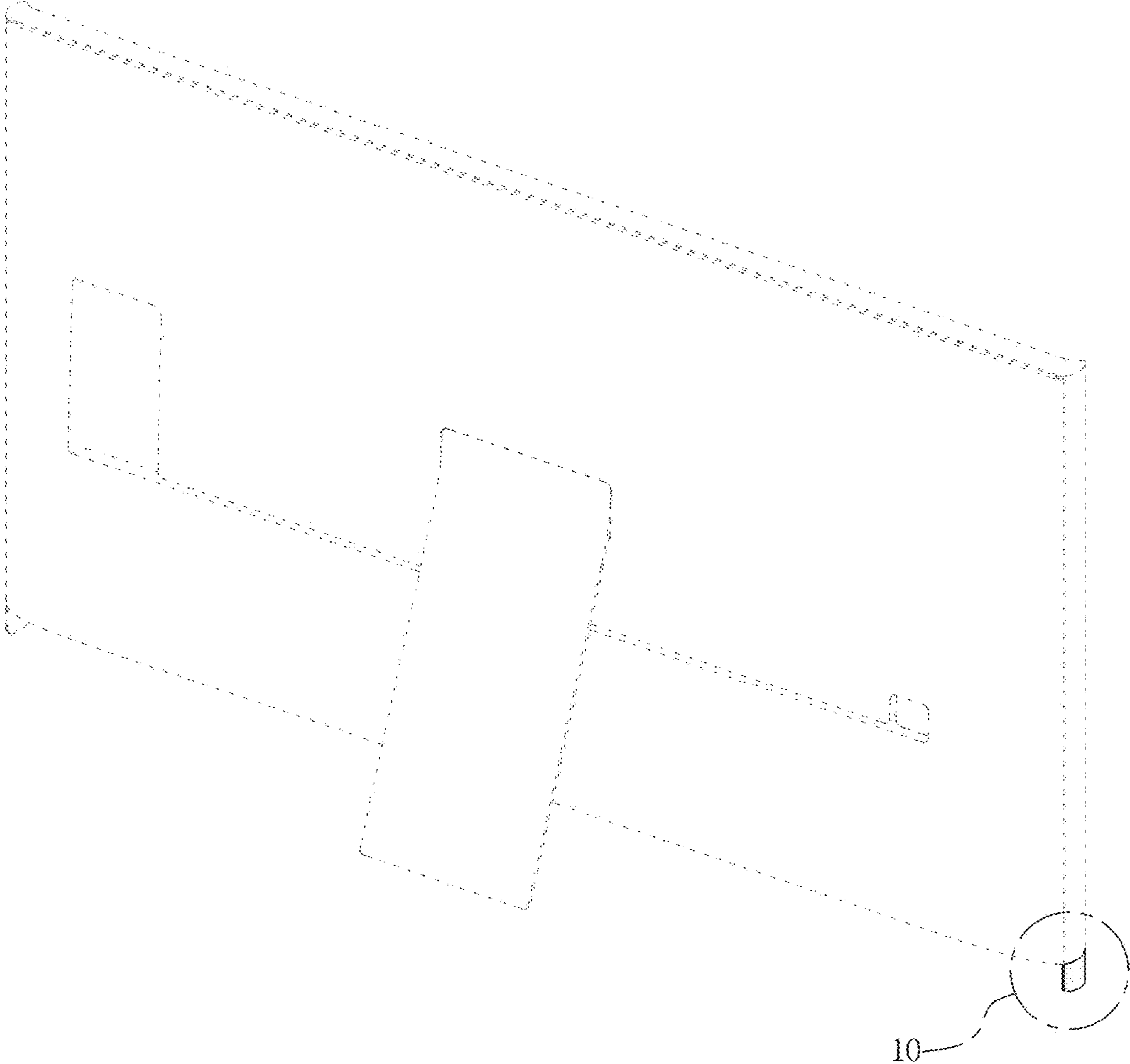


FIG. 9

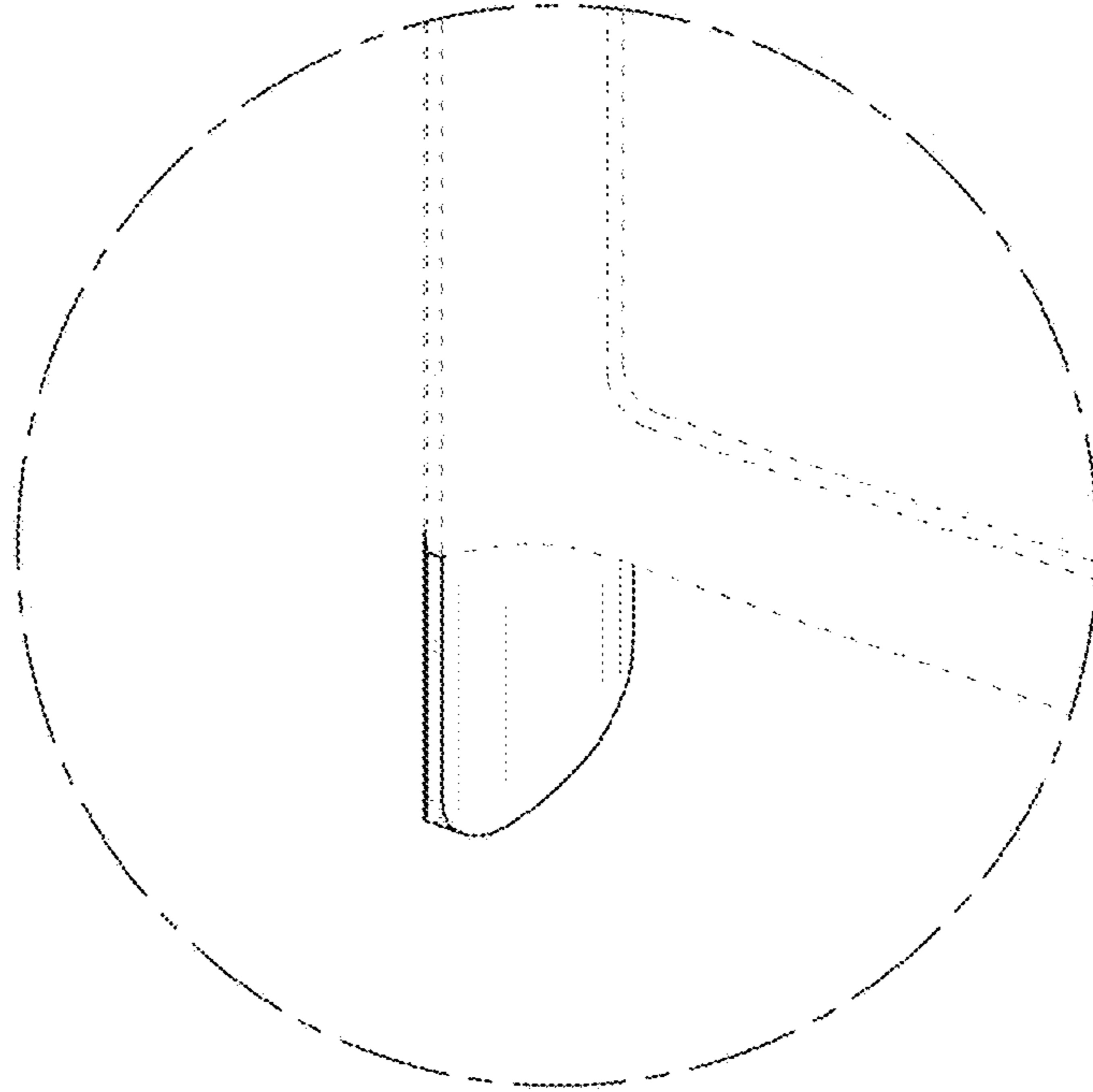


FIG. 10

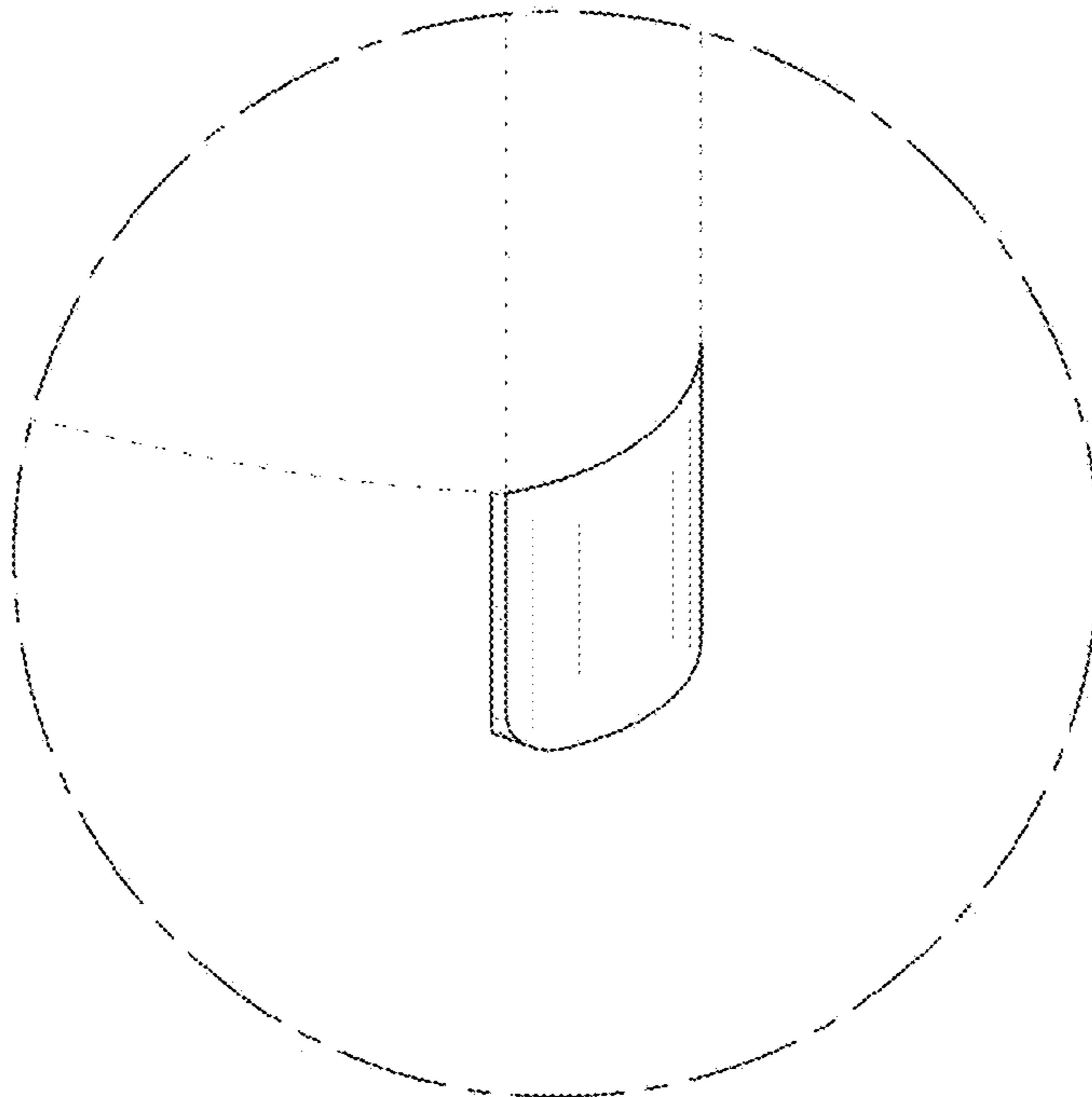


FIG. 11

