



US00D931840S

(12) **United States Design Patent**  
**Chaumont et al.**

(10) **Patent No.:** **US D931,840 S**

(45) **Date of Patent:** **\*\* Sep. 28, 2021**

- (54) **TAG HOUSING**
- (71) Applicant: **Zebra Technologies Corporation**,  
Lincolnshire, IL (US)
- (72) Inventors: **Chad Chaumont**, Mount Sinai, NY  
(US); **Robert P. Gotschewski**,  
Schaumburg, IL (US); **Alexander**  
**Mueggenborg**, Arlington, VA (US);  
**Edward A. Richley**, Gaithersburg, MD  
(US); **Daniel P. Lanigan**, Elgin, IL  
(US); **Edward C. Thomas**, Round Lake  
Beach, IL (US); **John K. Hughes**,  
Coarsegold, CA (US)
- (73) Assignee: **Zebra Technologies Corporation**,  
Lincolnshire, IL (US)

(\*\*) Term: **15 Years**

(21) Appl. No.: **29/698,772**

(22) Filed: **Jul. 19, 2019**

(51) **LOC (13) Cl.** ..... **14-03**

(52) **U.S. Cl.**  
USPC ..... **D14/238**

(58) **Field of Classification Search**  
USPC ..... D14/138, 230–238, 299, 358  
CPC .... A01K 29/005; A01K 29/00; A01K 15/022;  
A01K 27/001; A01K 27/005; A01K  
27/009

See application file for complete search history.

(56) **References Cited**

**U.S. PATENT DOCUMENTS**

- D227,785 S \* 7/1973 Kaysen ..... D14/233
- D626,963 S \* 11/2010 Kim ..... D14/420
- D635,841 S 4/2011 Lindley
- D671,921 S \* 12/2012 Beall ..... D14/230

- D673,533 S \* 1/2013 Ennabli ..... D14/230
- D708,978 S \* 7/2014 Gelowitz ..... G06K 7/10178  
D10/106.9
- D709,396 S \* 7/2014 Eidelman ..... D10/106.9
- 9,626,616 B2 4/2017 Richley
- D790,372 S \* 6/2017 Daoura ..... D10/70
- D815,970 S \* 4/2018 Ramasarma ..... D10/104.1
- 9,950,238 B2 4/2018 Deangelis et al.
- D816,527 S \* 5/2018 Ramasarma ..... D10/104.1
- 9,864,946 B2 9/2018 Richley
- D830,327 S \* 10/2018 Jones ..... D14/155
- 10,130,265 B1 \* 11/2018 Brandao ..... A61B 5/01
- D853,362 S \* 7/2019 Masin ..... D14/230
- D854,760 S \* 7/2019 Mott ..... D30/152
- 10,420,401 B2 \* 9/2019 Eidelman ..... A44B 99/00
- D901,461 S \* 11/2020 Petros ..... D14/230
- D911,860 S \* 3/2021 Schoenherr ..... D10/104.2
- D918,072 S \* 5/2021 Umair ..... D10/70
- 2018/0019513 A1 1/2018 Farkas

\* cited by examiner

*Primary Examiner* — Keli L Hill

*Assistant Examiner* — Harold E Blackwell, II

(57) **CLAIM**

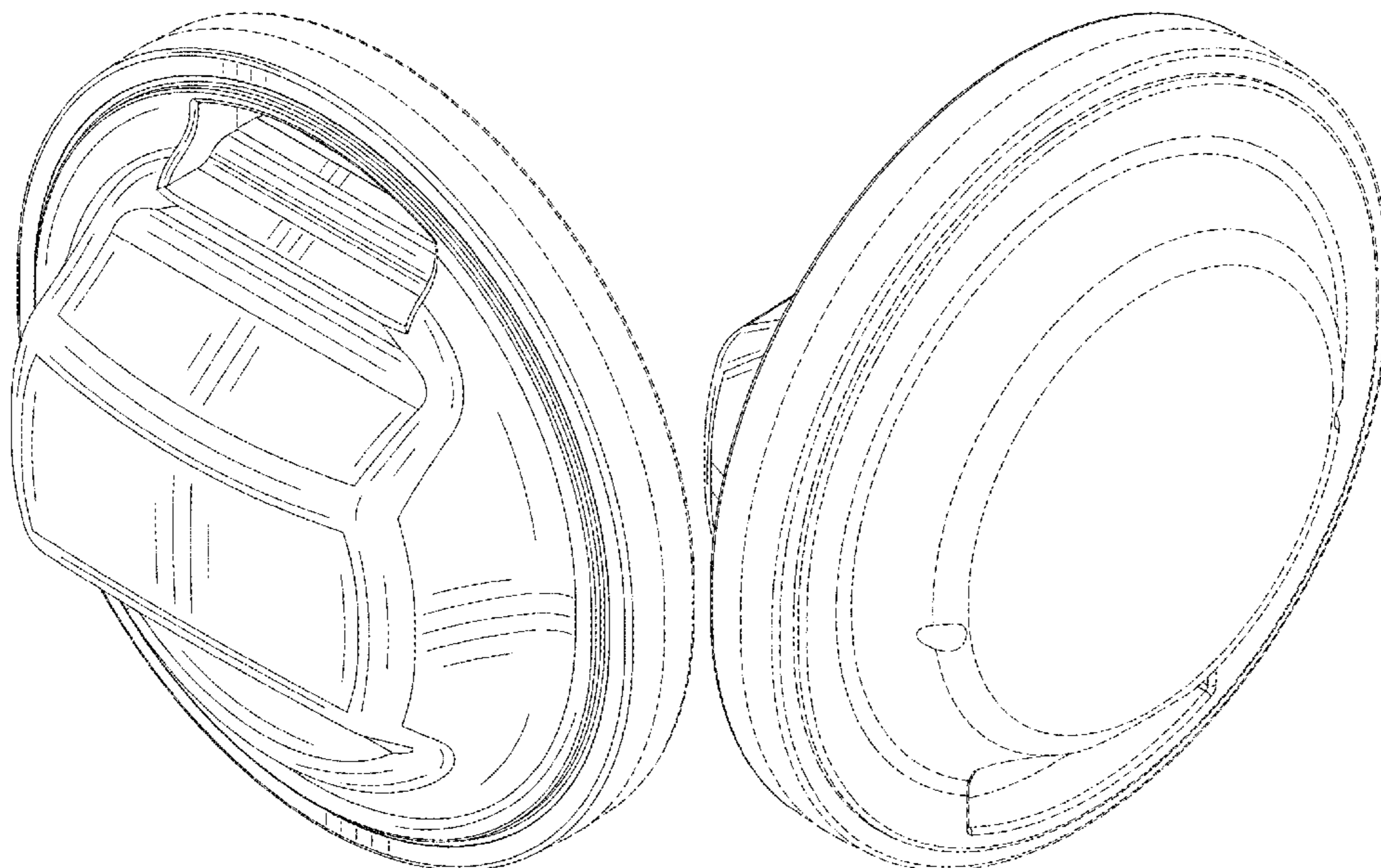
We claim the ornamental design for tag housing, as shown and described.

**DESCRIPTION**

FIG. 1 is a front perspective view of a tag housing;  
 FIG. 2 is a rear perspective view thereof;  
 FIG. 3 is a front view thereof;  
 FIG. 4 is a rear view thereof;  
 FIG. 5 is a first side view thereof;  
 FIG. 6 is a second side view thereof;  
 FIG. 7 is a bottom view thereof; and,  
 FIG. 8 is a top view thereof.

Broken lines are for purposes of illustrating environment and form no part of the design claimed.

**1 Claim, 8 Drawing Sheets**



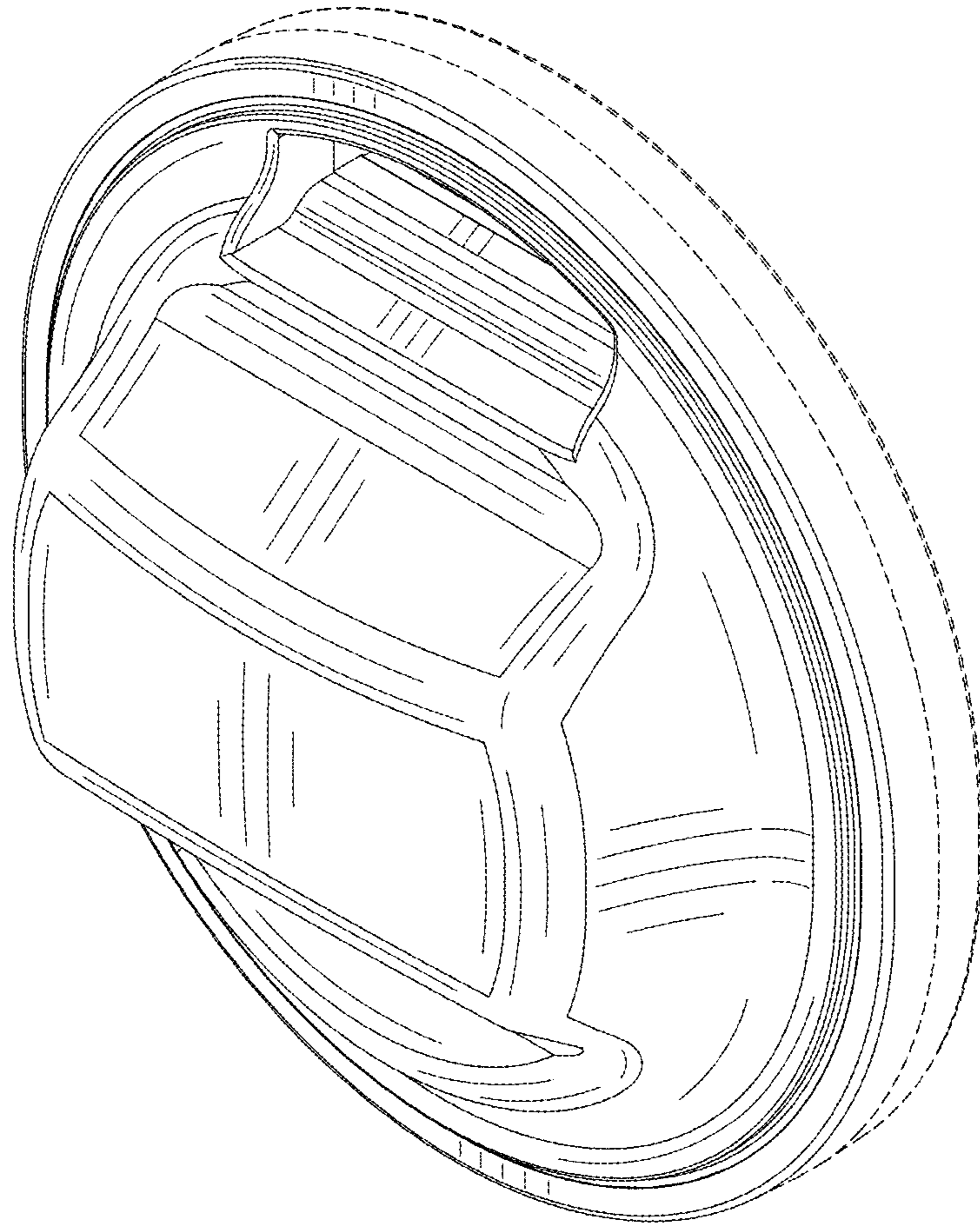


FIG. 1

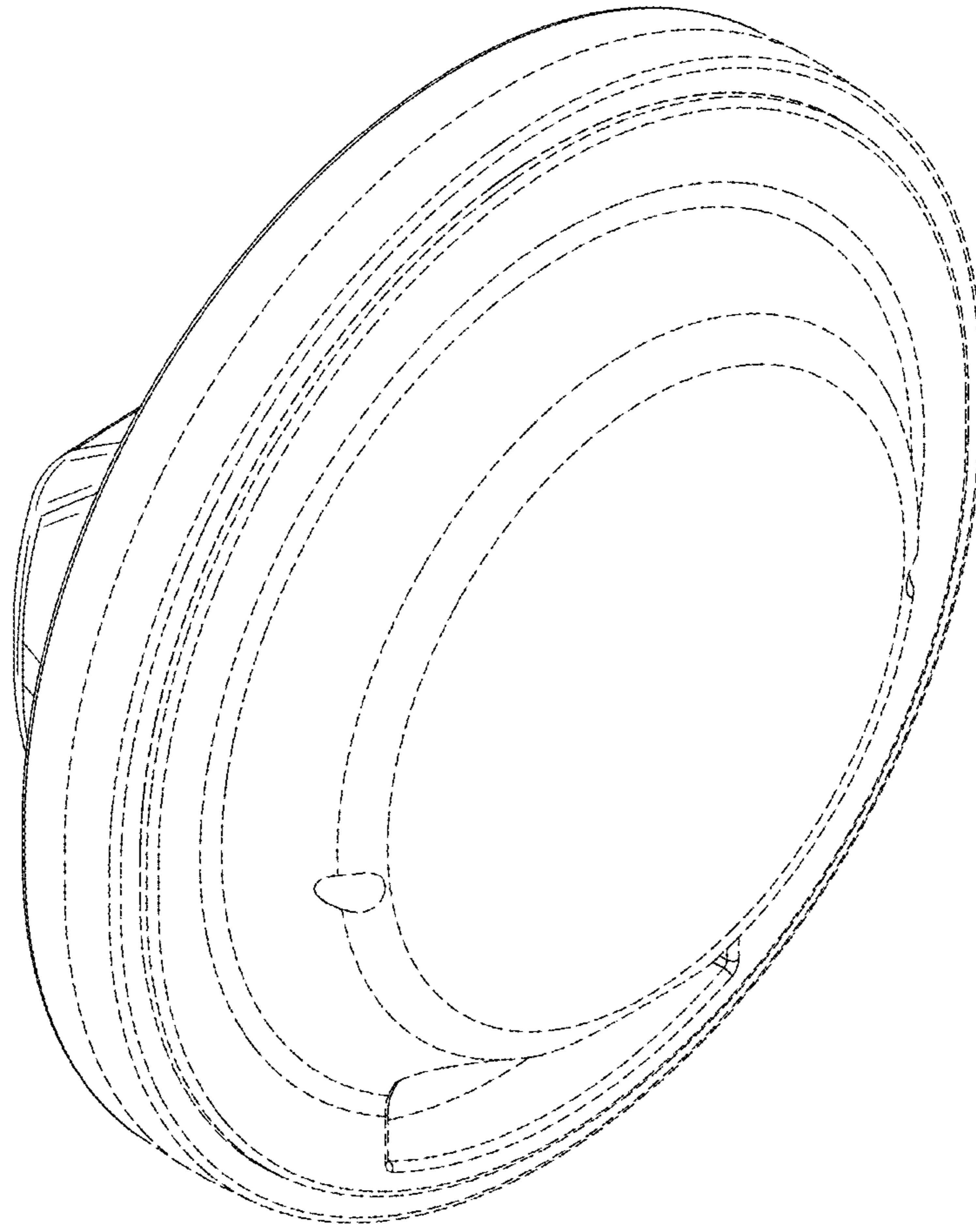


FIG. 2

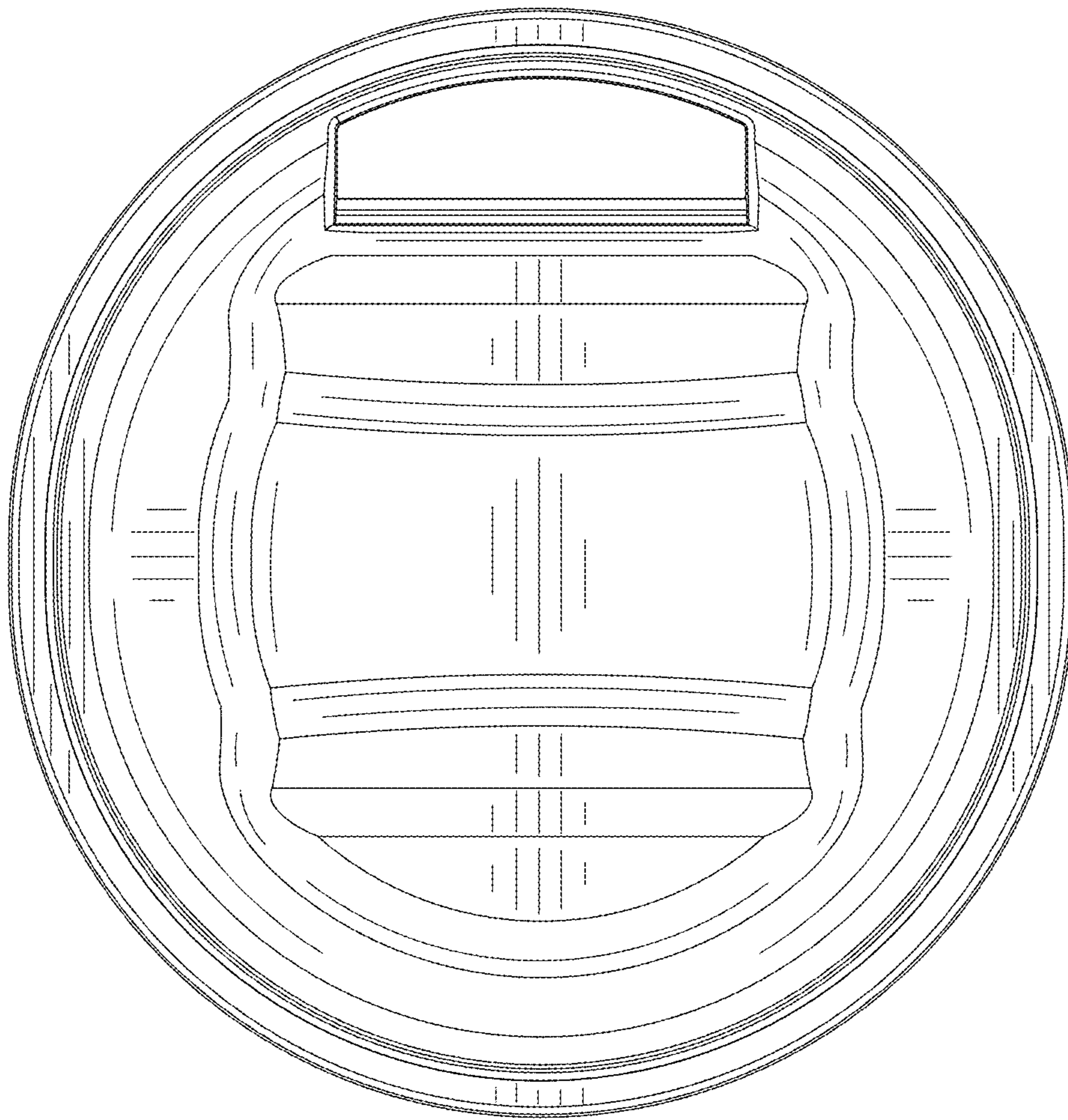


FIG. 3

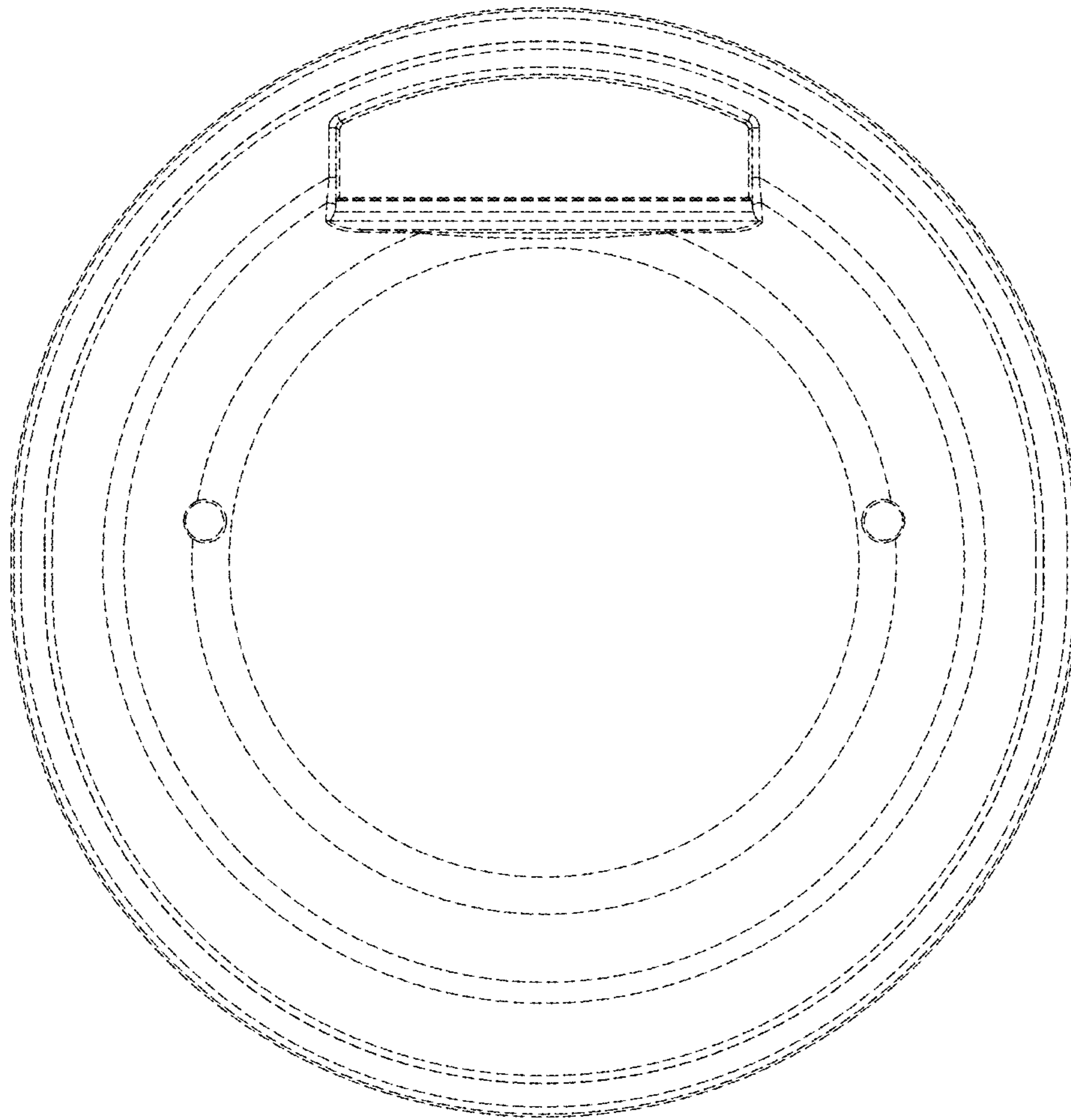


FIG. 4

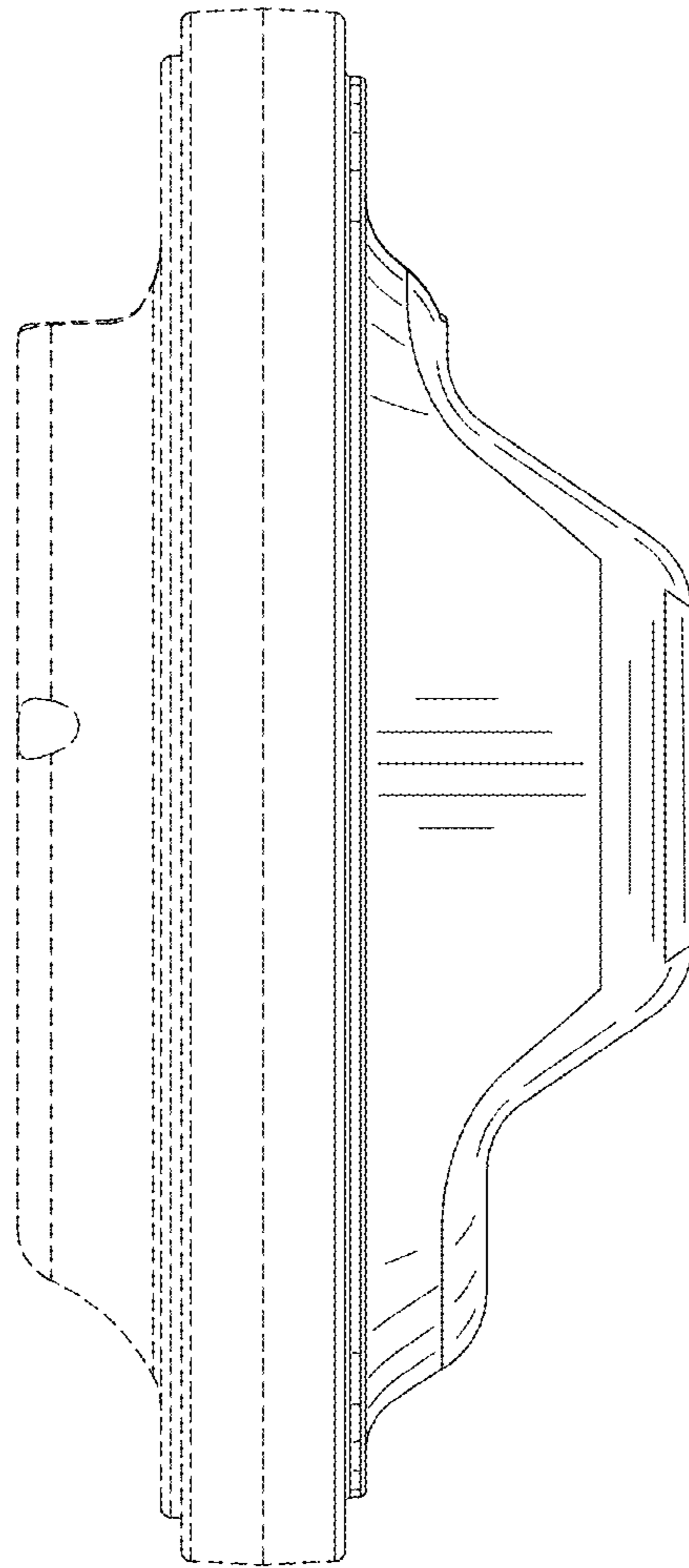


FIG. 5

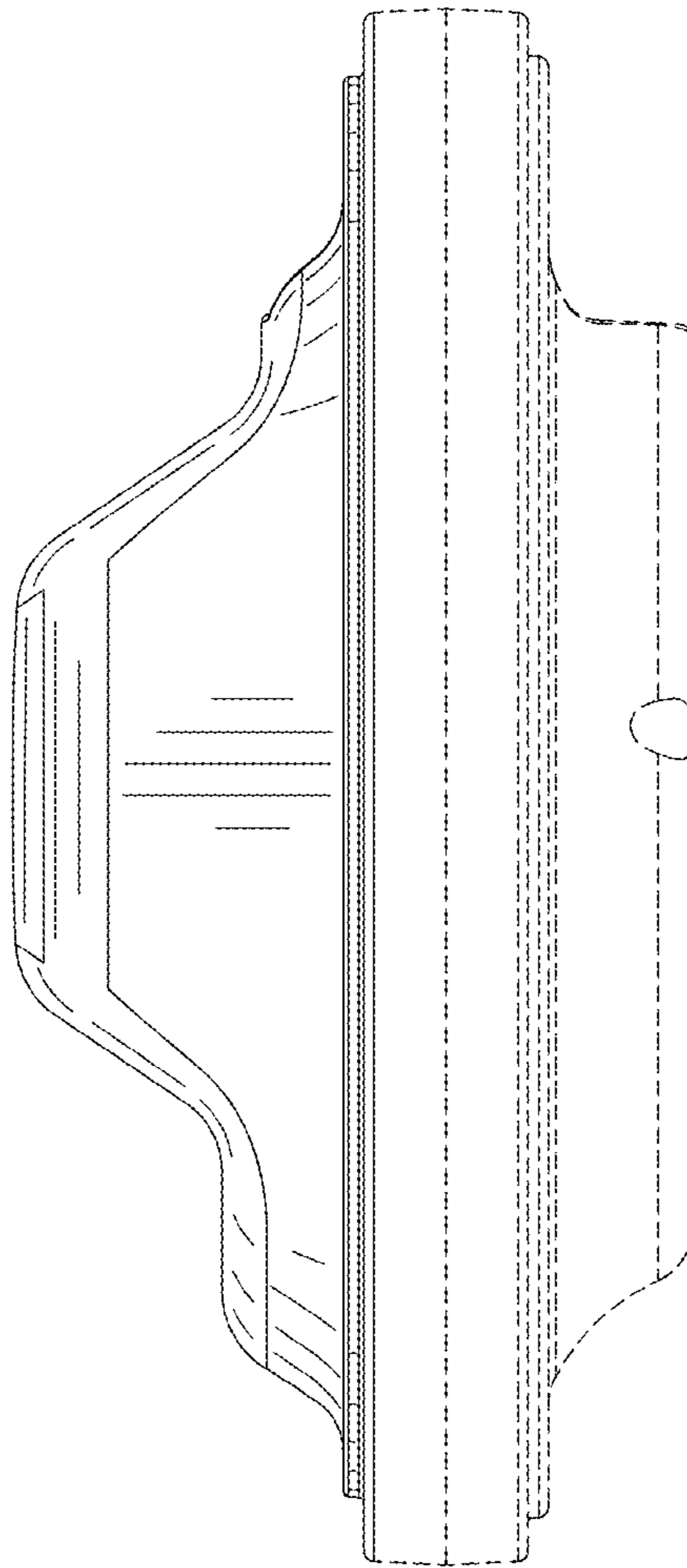


FIG. 6

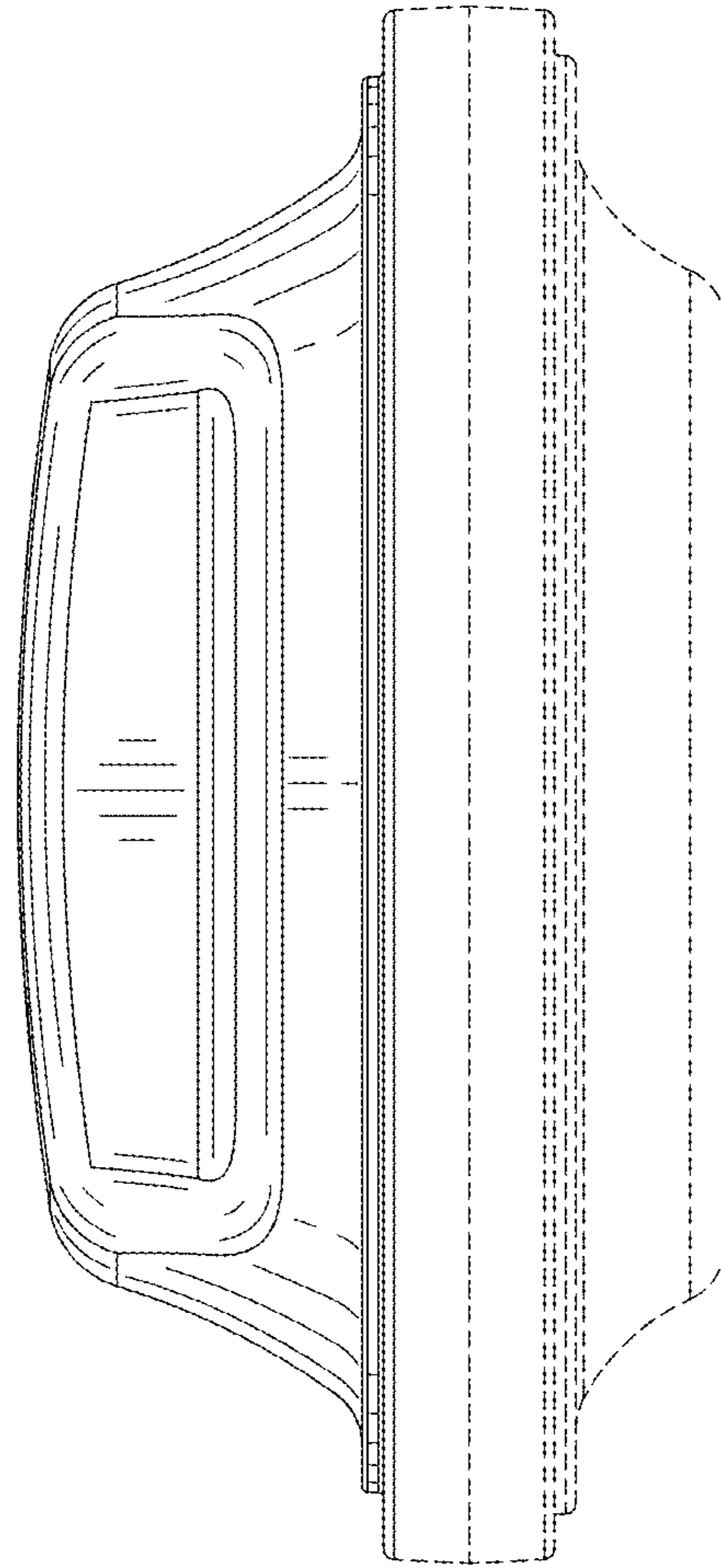


FIG. 7



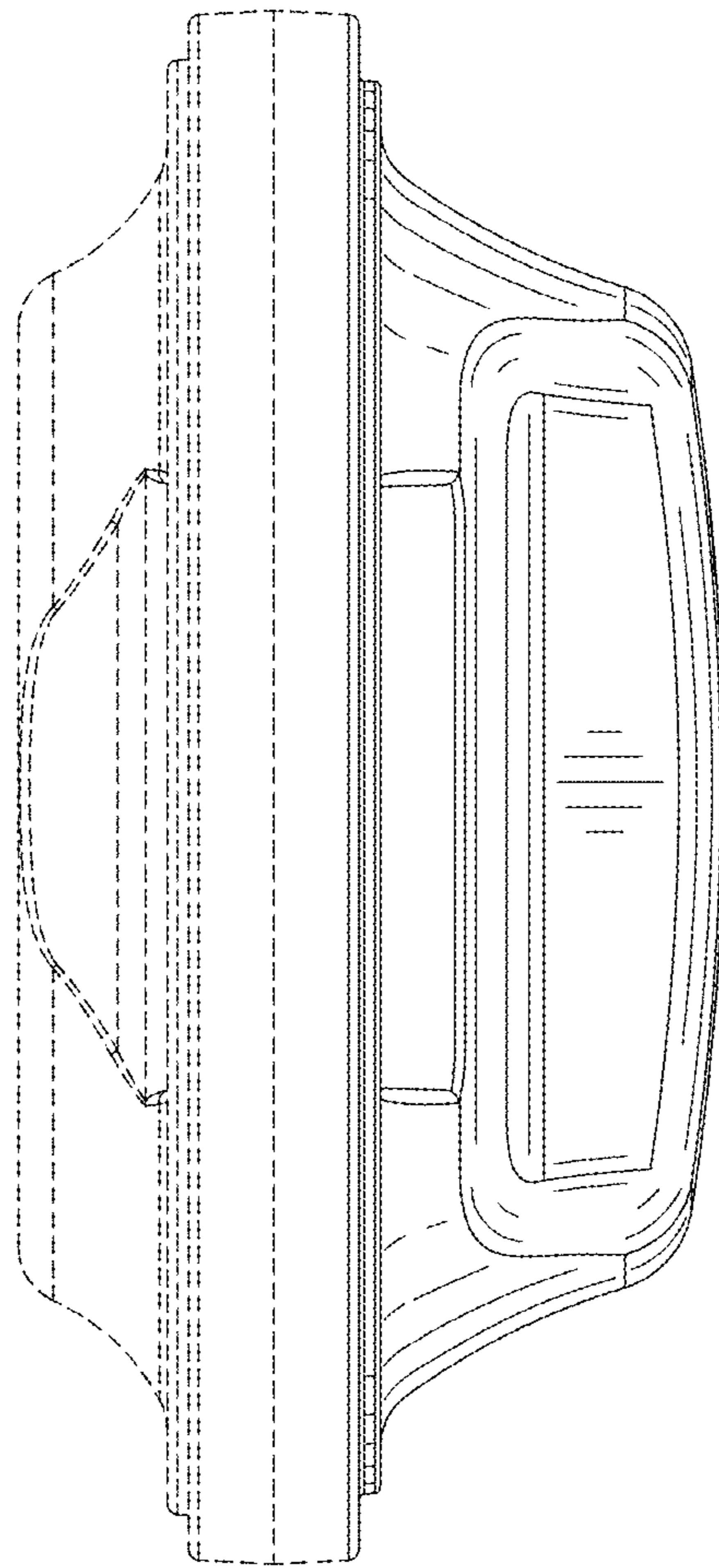


FIG. 8