



US00D931839S

(12) **United States Design Patent**  
**Bryant**

(10) **Patent No.:** **US D931,839 S**

(45) **Date of Patent:** **\*\* Sep. 28, 2021**

(54) **MICROPHONE**

(71) Applicant: **Samson Technologies Corp.**,  
Hauppauge, NY (US)

(72) Inventor: **Douglas Bryant**, Centerport, NY (US)

(73) Assignee: **SAMSON TECHNOLOGIES CORP.**,  
Hauppauge, NY (US)

(\*\*) Term: **15 Years**

(21) Appl. No.: **29/716,686**

(22) Filed: **Dec. 11, 2019**

(51) **LOC (13) Cl.** ..... **14-01**

(52) **U.S. Cl.**  
USPC ..... **D14/227; D14/228**

(58) **Field of Classification Search**  
USPC ..... D14/228, 225, 227, 229, 226; D16/244;  
D17/99; D6/681; 381/361, 311, 362,  
381/363; 248/161, 170, 171, 544, 188.7,  
248/187.1; 455/90.3, 575.1, 569.1  
CPC ..... H04R 19/04; H04R 19/00; H04R 1/08;  
H04R 1/04; H04R 17/02; H04R 25/00;  
H04R 1/02; H04R 5/02; H04R 9/08;  
F16M 11/38; A47B 91/00

See application file for complete search history.

(56) **References Cited**

**U.S. PATENT DOCUMENTS**

- 2,913,208 A \* 11/1959 McKinley ..... A47C 7/004  
248/188.7
- 3,064,932 A \* 11/1962 Holderman ..... F16M 11/245  
248/171
- 3,289,995 A \* 12/1966 Taylor ..... A47B 95/043  
248/345.1
- D246,706 S \* 12/1977 McKee ..... D12/403
- 4,061,302 A \* 12/1977 Boone ..... F16M 11/38  
248/170
- 4,074,881 A \* 2/1978 Bickford ..... A47C 7/004  
248/170

- 4,648,698 A \* 3/1987 Iwasaki ..... F16M 11/105  
248/163.1
- 4,671,479 A \* 6/1987 Johnson ..... F16M 11/16  
248/173
- 4,695,022 A \* 9/1987 Mendonsa ..... F16M 11/38  
206/314
- 4,989,812 A \* 2/1991 Lloyd ..... F16M 11/242  
248/170

(Continued)

**FOREIGN PATENT DOCUMENTS**

- CN 306242213 \* 12/2020
- CN 306460429 \* 4/2021
- CN 306521466 \* 5/2021

*Primary Examiner* — Paula Allen Greene

(74) *Attorney, Agent, or Firm* — Katten Muchin  
Rosenman LLP

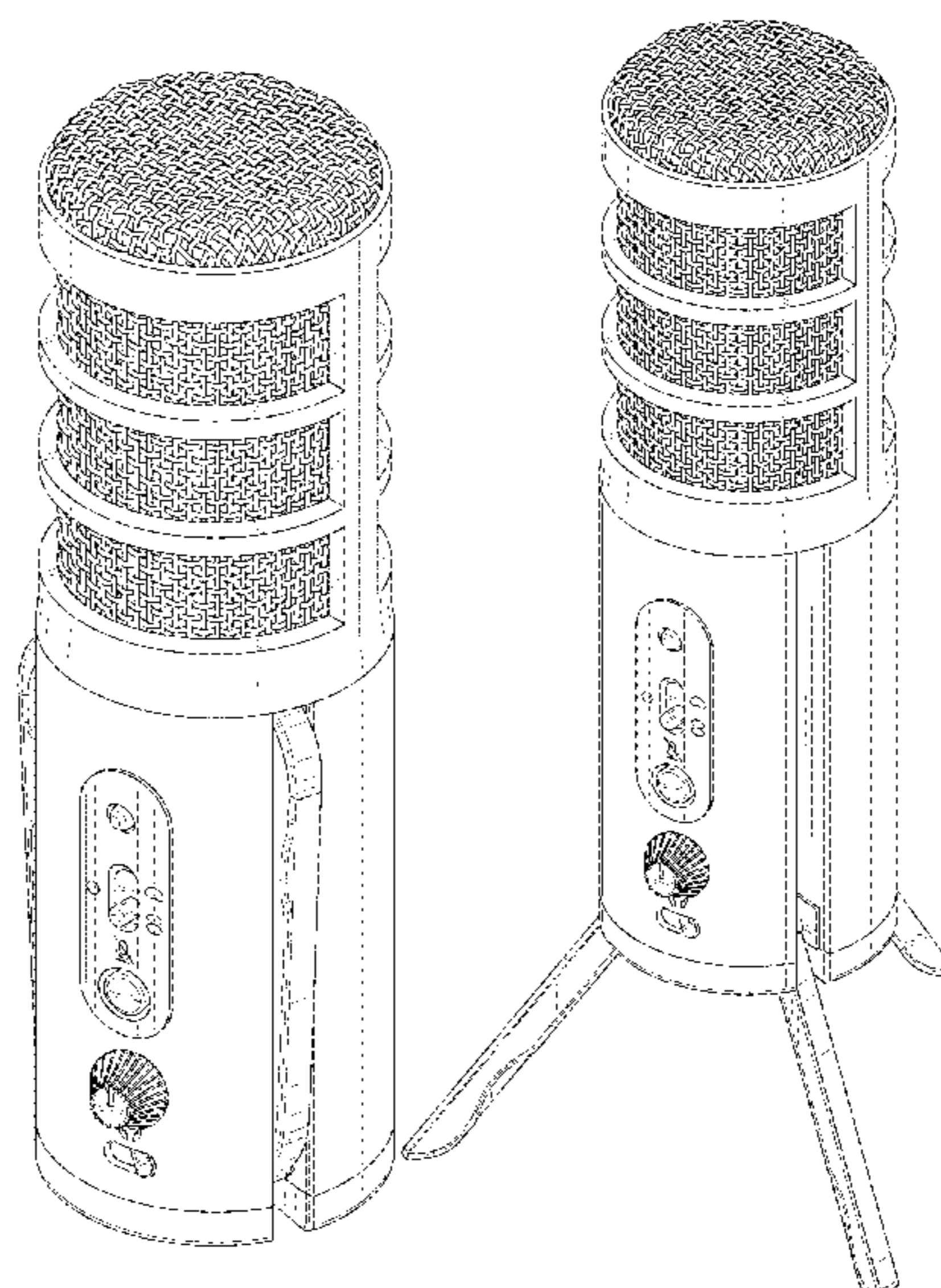
(57) **CLAIM**

I claim the ornamental design for a microphone, as shown  
and described.

**DESCRIPTION**

FIG. 1 is a perspective view of a microphone showing my  
new design with the legs retracted,  
FIG. 2 is a front view thereof,  
FIG. 3 is a rear view thereof,  
FIG. 4 is a left-side view thereof,  
FIG. 5 is a right-side view thereof,  
FIG. 6 is a top view thereof,  
FIG. 7 is a bottom view thereof;  
FIG. 8 is a perspective view thereof with the legs extended;  
FIG. 9 is a front view thereof,  
FIG. 10 is a rear view thereof,  
FIG. 11 is a left-side view thereof,  
FIG. 12 is a right-side view thereof,  
FIG. 13 is a top view thereof; and,  
FIG. 14 is a bottom view thereof.

**1 Claim, 14 Drawing Sheets**



(56)

References Cited

U.S. PATENT DOCUMENTS

5,639,056 A \* 6/1997 Mecalf ..... A47B 91/00  
248/163.1  
5,675,660 A \* 10/1997 Townsend ..... H04R 1/086  
381/189  
5,708,890 A \* 1/1998 Nakano ..... F16M 11/10  
248/166  
5,742,697 A \* 4/1998 Ching-Chung ..... H04R 1/083  
381/355  
D397,119 S \* 8/1998 Okon ..... D14/228  
5,906,343 A \* 5/1999 Battey ..... A47C 7/004  
248/188.7  
6,007,032 A \* 12/1999 Kuo ..... F16M 11/10  
248/125.1  
6,061,457 A \* 5/2000 Stockhamer ..... H04R 1/00  
367/140  
6,219,429 B1 \* 4/2001 Chung ..... H04R 1/08  
248/324  
6,254,043 B1 \* 7/2001 Schwarzler ..... F16M 11/16  
248/163.1  
D462,947 S \* 9/2002 Kung ..... D14/228  
D469,278 S \* 1/2003 Lippert ..... D17/13  
6,597,796 B2 \* 7/2003 Chang ..... H04R 1/08  
338/178  
D504,678 S \* 5/2005 Ruhrig ..... D14/228  
D533,578 S \* 12/2006 Oka ..... D16/244  
D594,856 S \* 6/2009 Marshall ..... D14/228  
D643,024 S \* 8/2011 Goodman ..... D14/227

8,322,665 B2 \* 12/2012 Palik ..... F41A 23/06  
248/166  
D687,421 S \* 8/2013 Slaton ..... D14/229  
8,573,547 B2 \* 11/2013 Hazzard ..... A47C 7/004  
248/188.7  
D713,391 S \* 9/2014 Ibuki ..... D14/228  
D746,797 S \* 1/2016 Chen ..... D14/228  
9,877,113 B2 \* 1/2018 Akino ..... H04R 7/122  
D834,004 S \* 11/2018 Chen ..... D14/226  
D834,564 S \* 11/2018 Chen ..... D14/226  
D835,612 S \* 12/2018 Tong ..... D14/225  
D839,856 S \* 2/2019 Chen ..... D14/228  
D842,278 S \* 3/2019 Tong ..... D14/227  
D848,404 S \* 5/2019 Chen ..... D14/227  
D849,721 S \* 5/2019 Chen ..... D14/227  
D850,423 S \* 6/2019 Chen ..... D14/227  
D851,073 S \* 6/2019 Tong ..... D14/227  
D864,922 S \* 10/2019 Mai ..... D14/227  
D890,141 S \* 7/2020 Chen ..... D14/228  
D890,732 S \* 7/2020 Chen ..... D14/227  
D895,583 S \* 9/2020 Smith ..... D14/227  
D898,771 S \* 10/2020 You ..... D14/497  
D917,430 S \* 4/2021 Mai ..... D14/225  
D917,432 S \* 4/2021 Mai ..... D14/227  
D919,604 S \* 5/2021 Mai ..... D14/227  
2005/0161561 A1 \* 7/2005 Hsieh ..... F16M 11/242  
248/171  
2011/0271516 A1 \* 11/2011 Slaton ..... F16B 7/1463  
29/525.03  
2013/0044131 A1 \* 2/2013 Milad ..... H04R 3/00  
345/633

\* cited by examiner



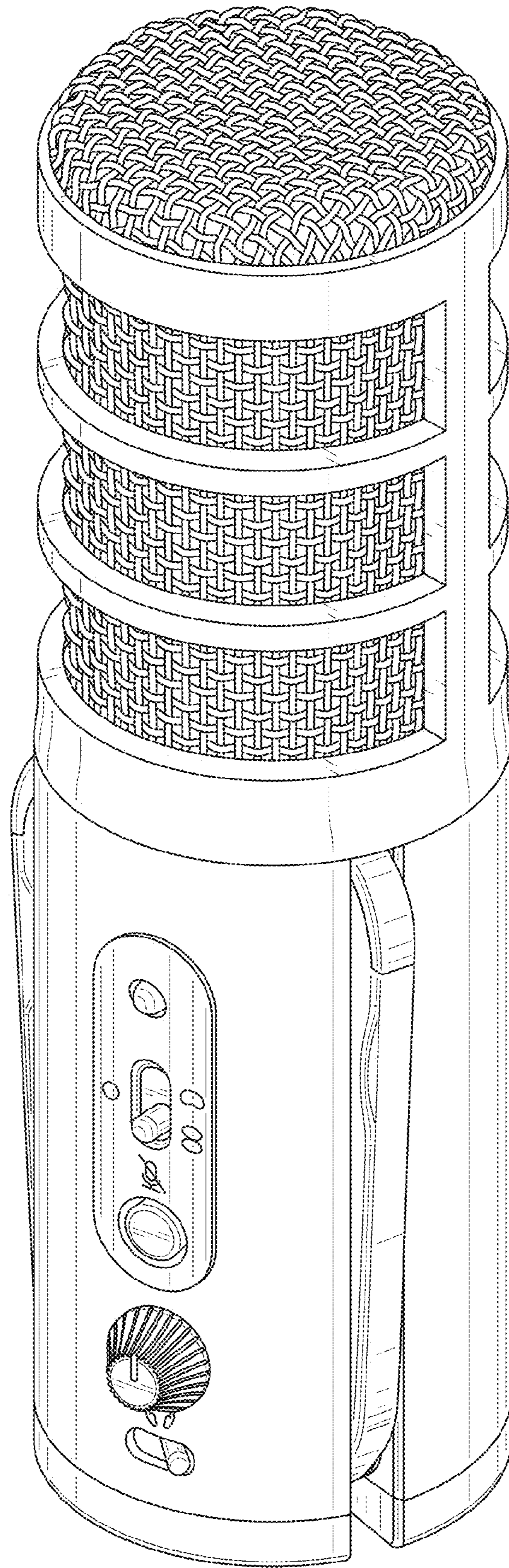


FIG. 1

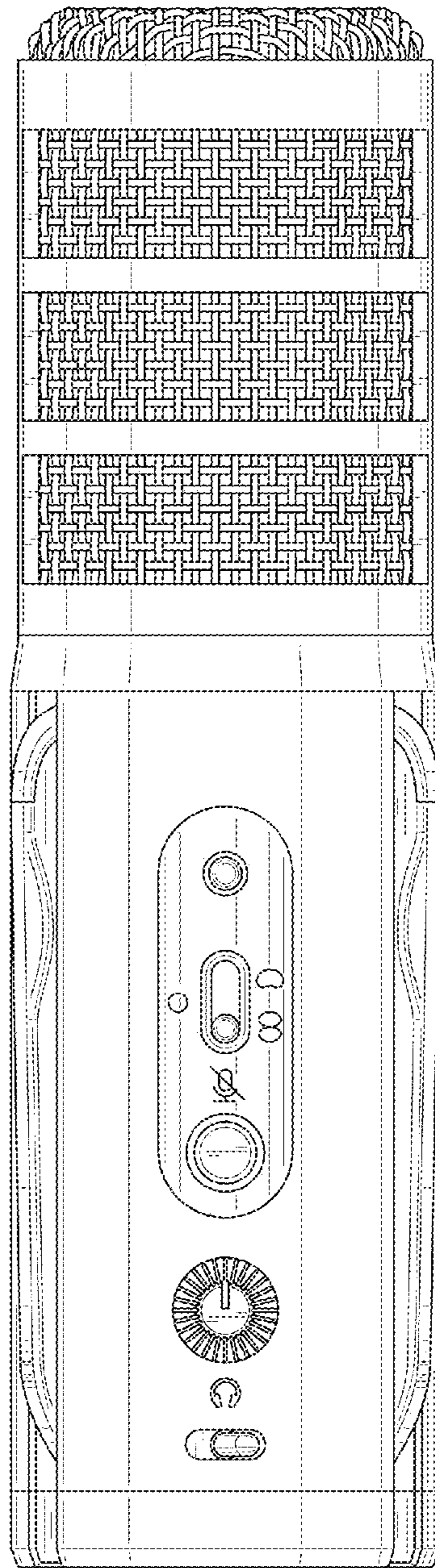


FIG. 2

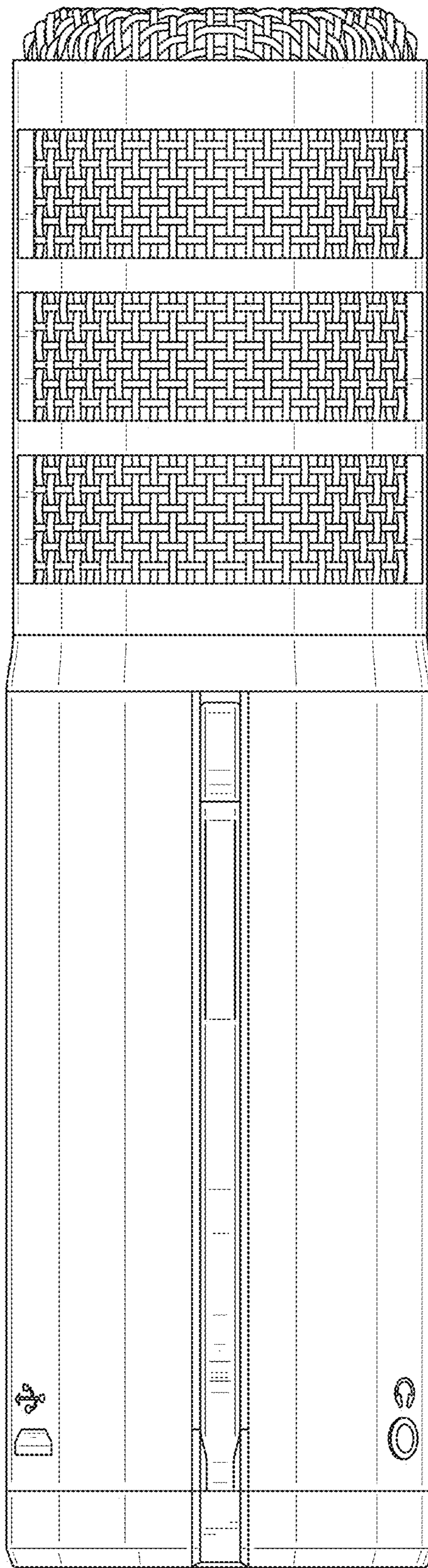


FIG. 3



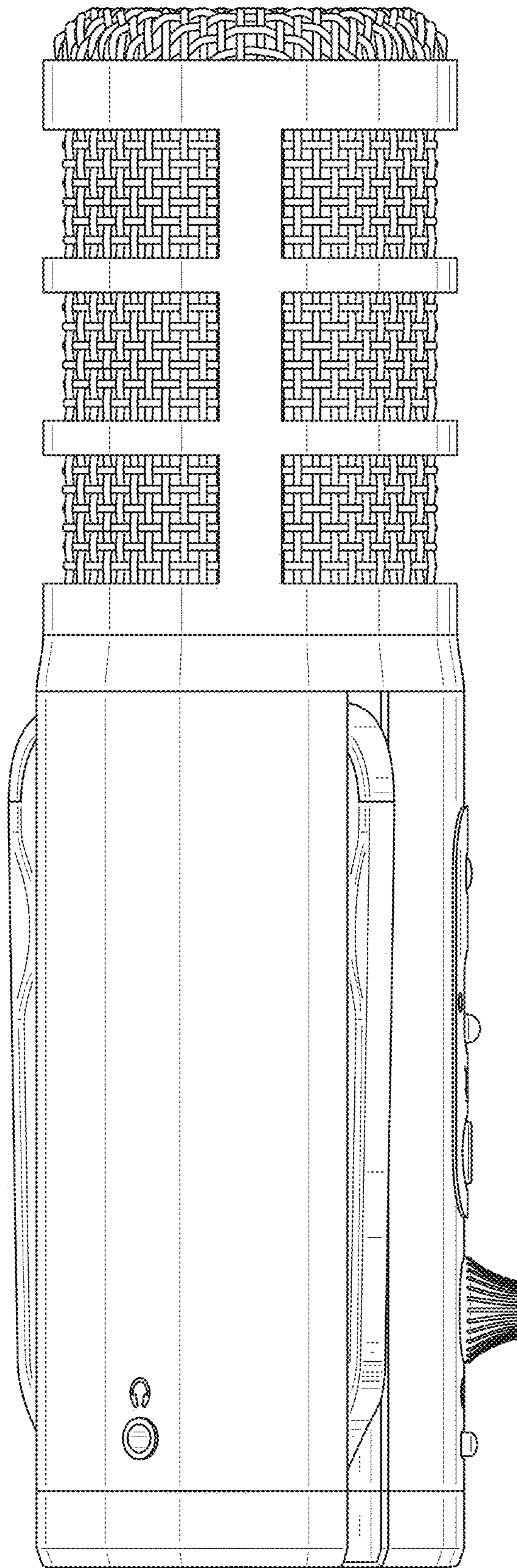


FIG. 4

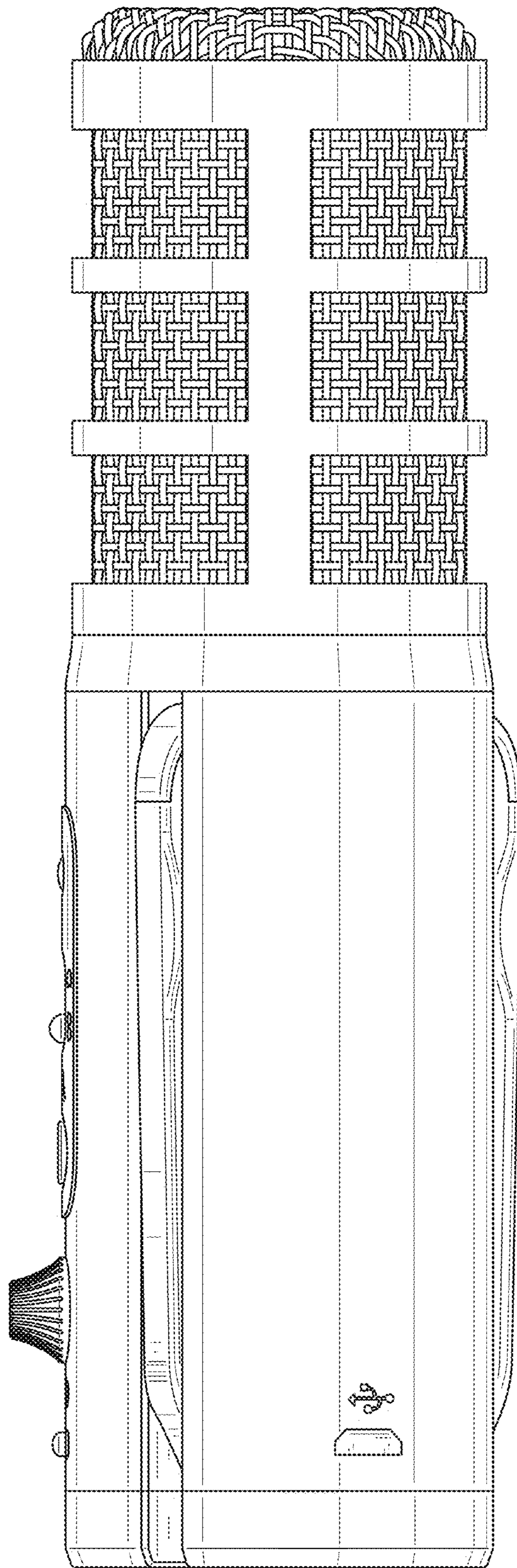


FIG. 5

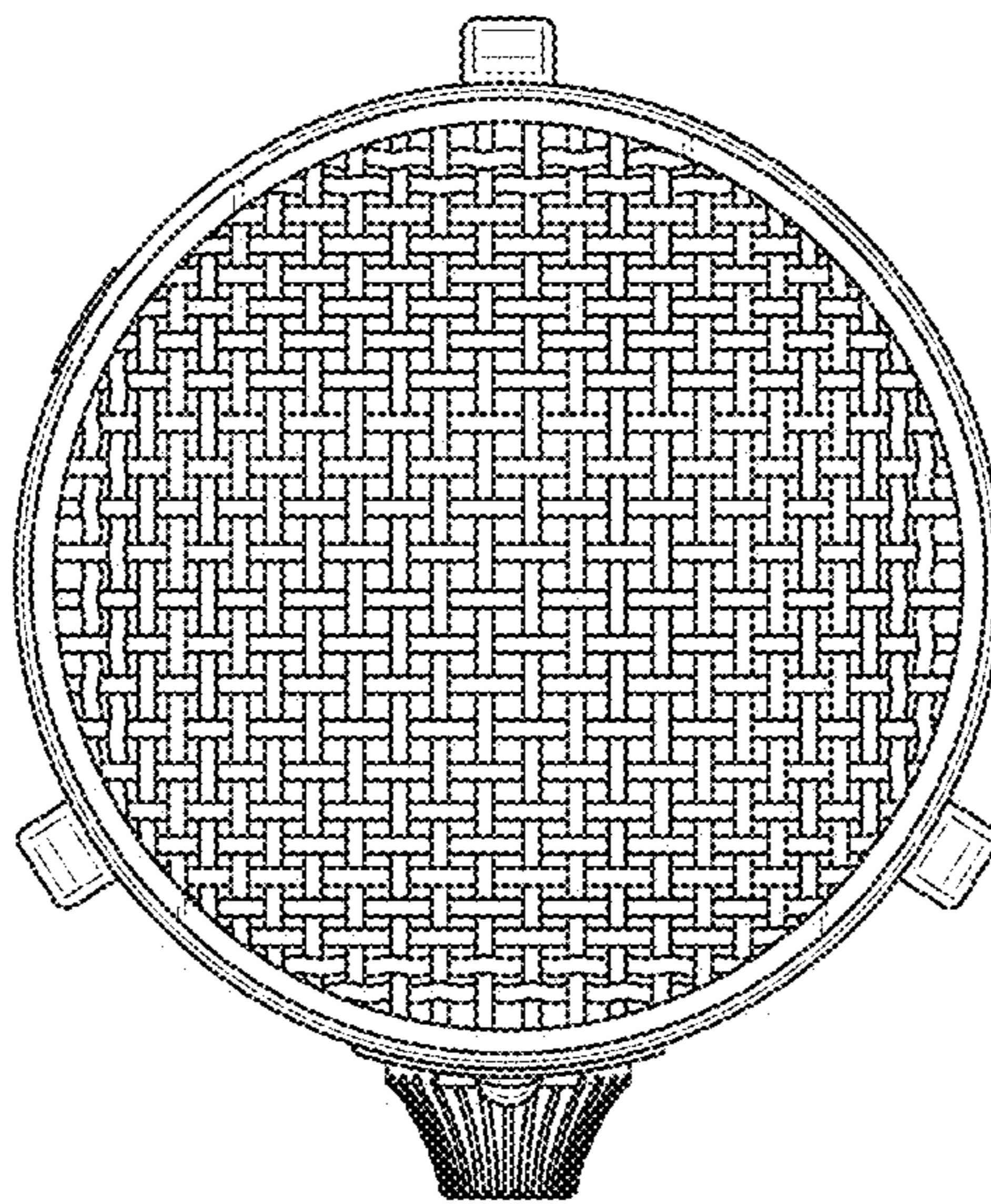


FIG. 6



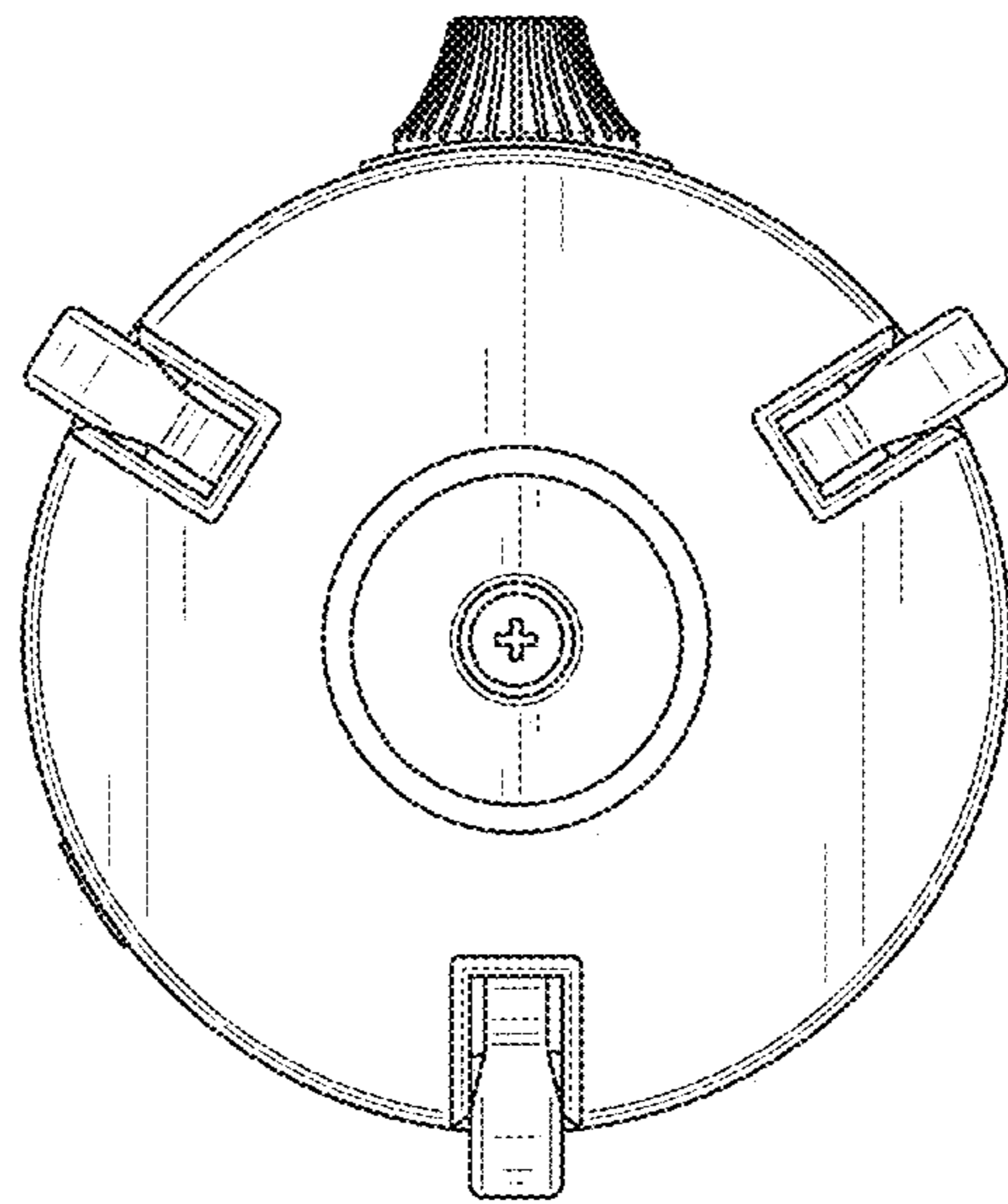


FIG. 7

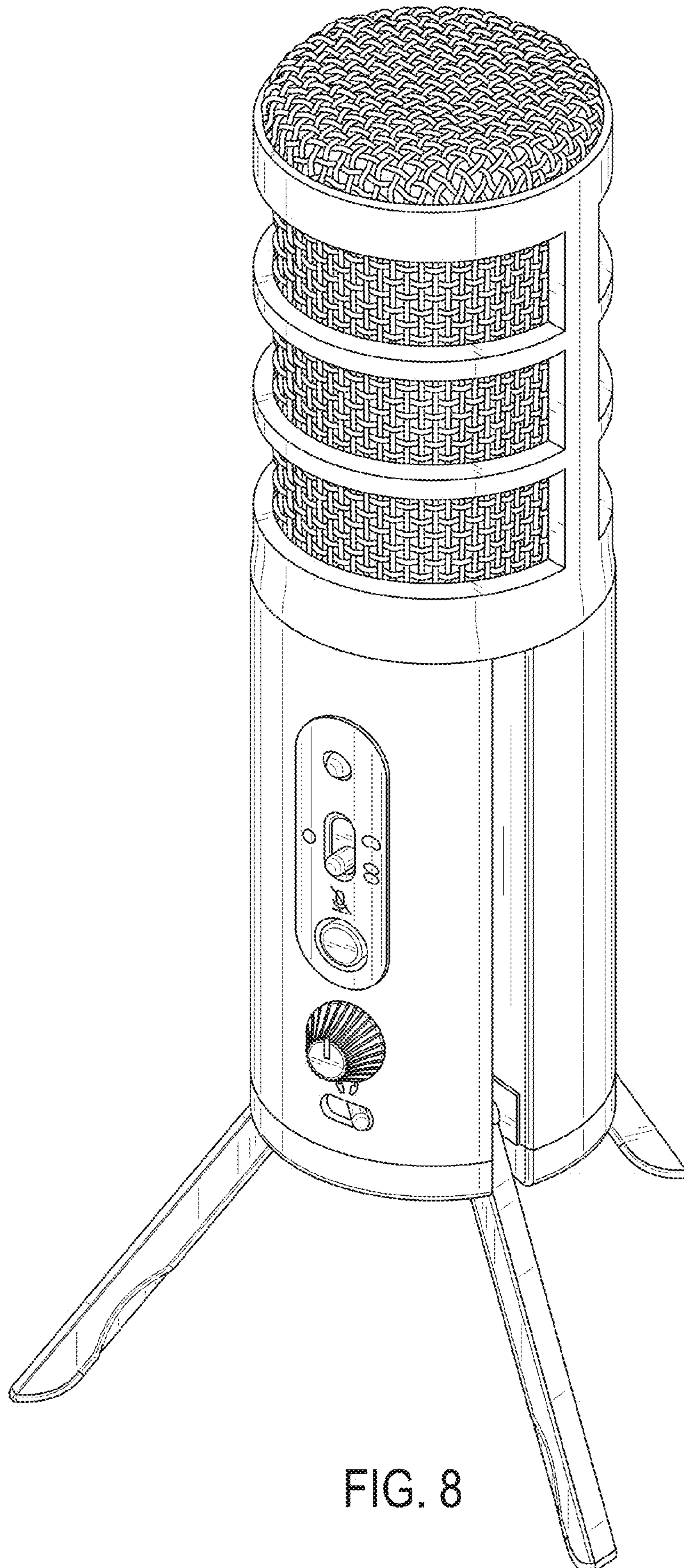


FIG. 8

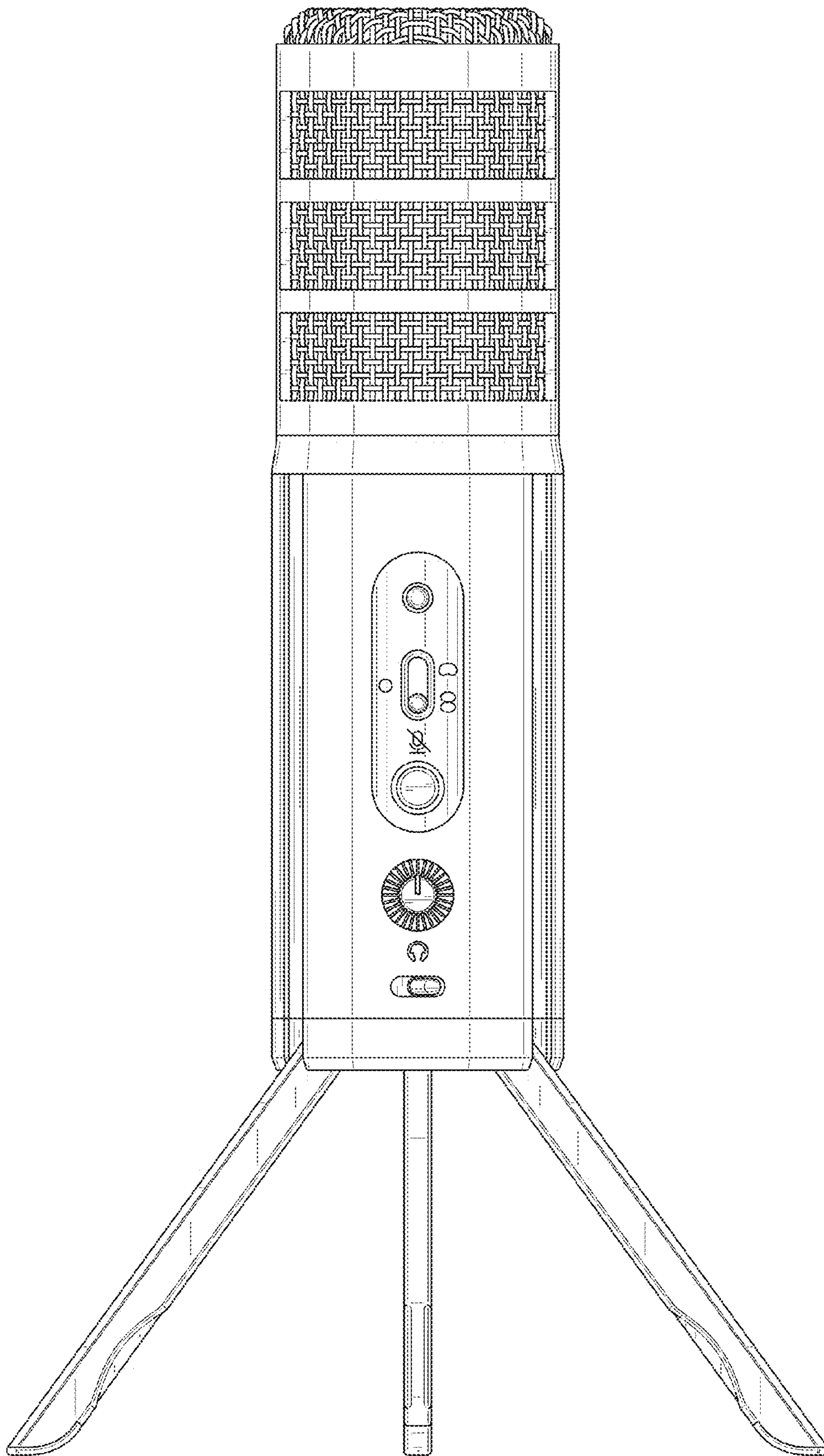


FIG. 9



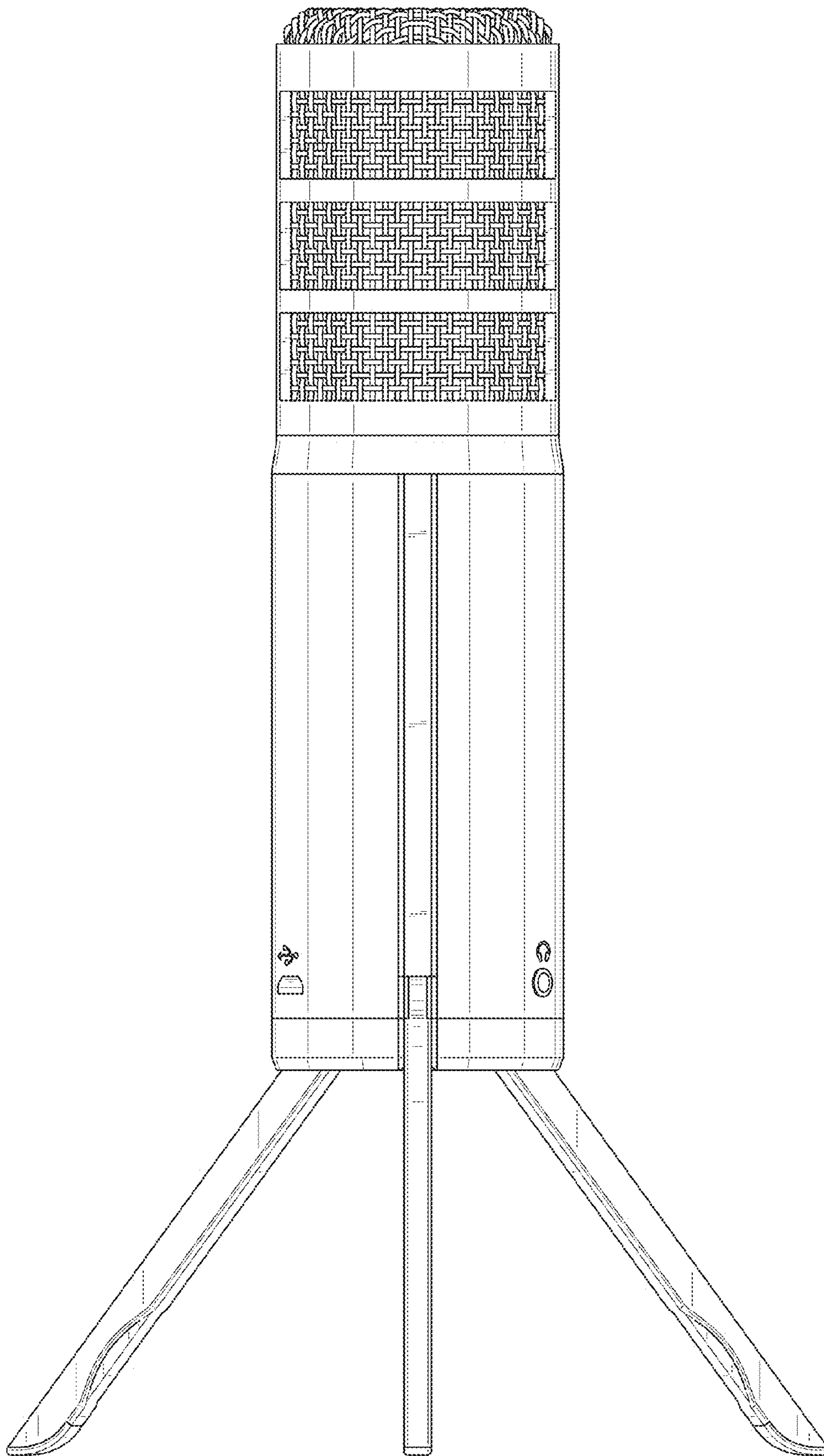


FIG. 10

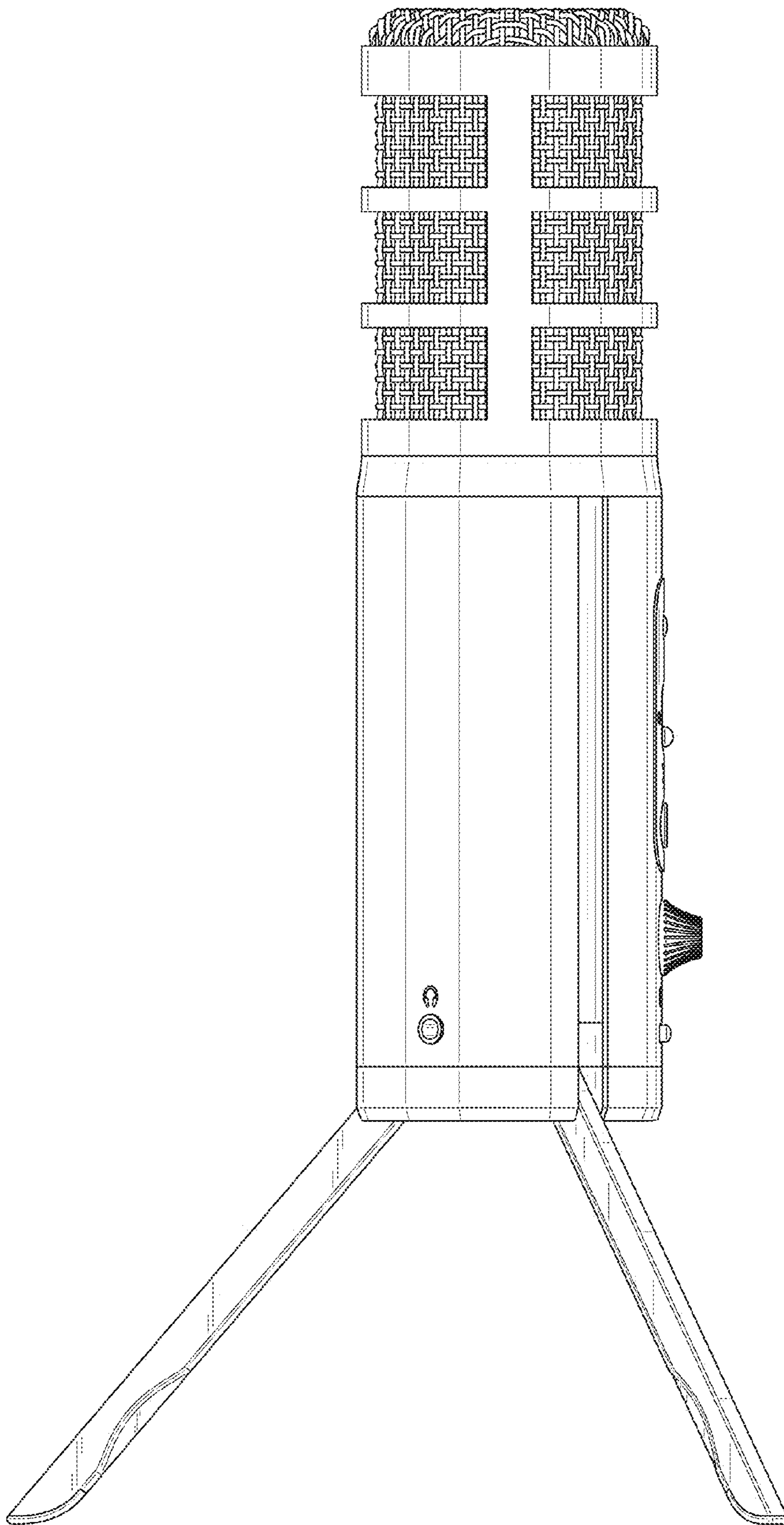


FIG. 11

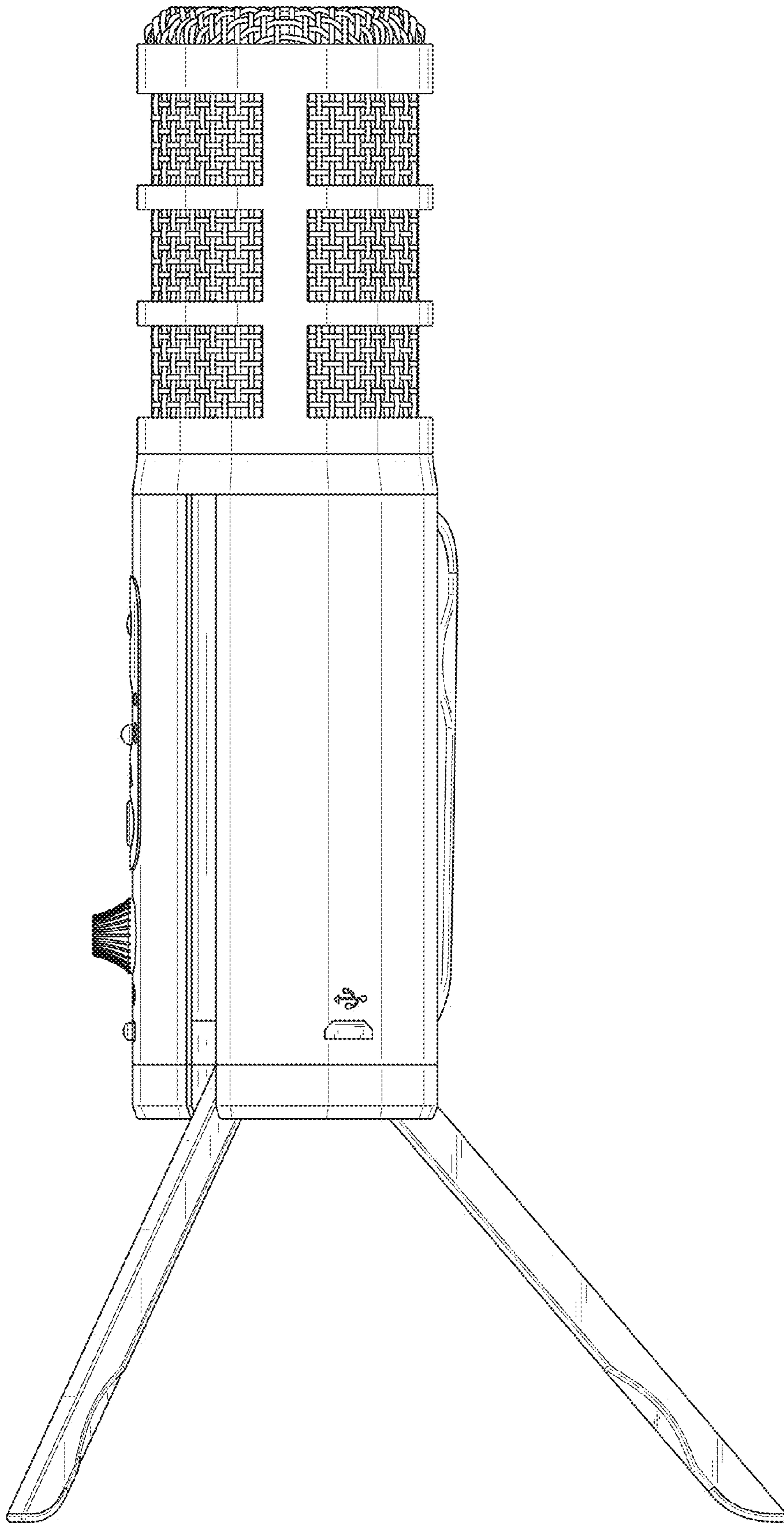


FIG. 12



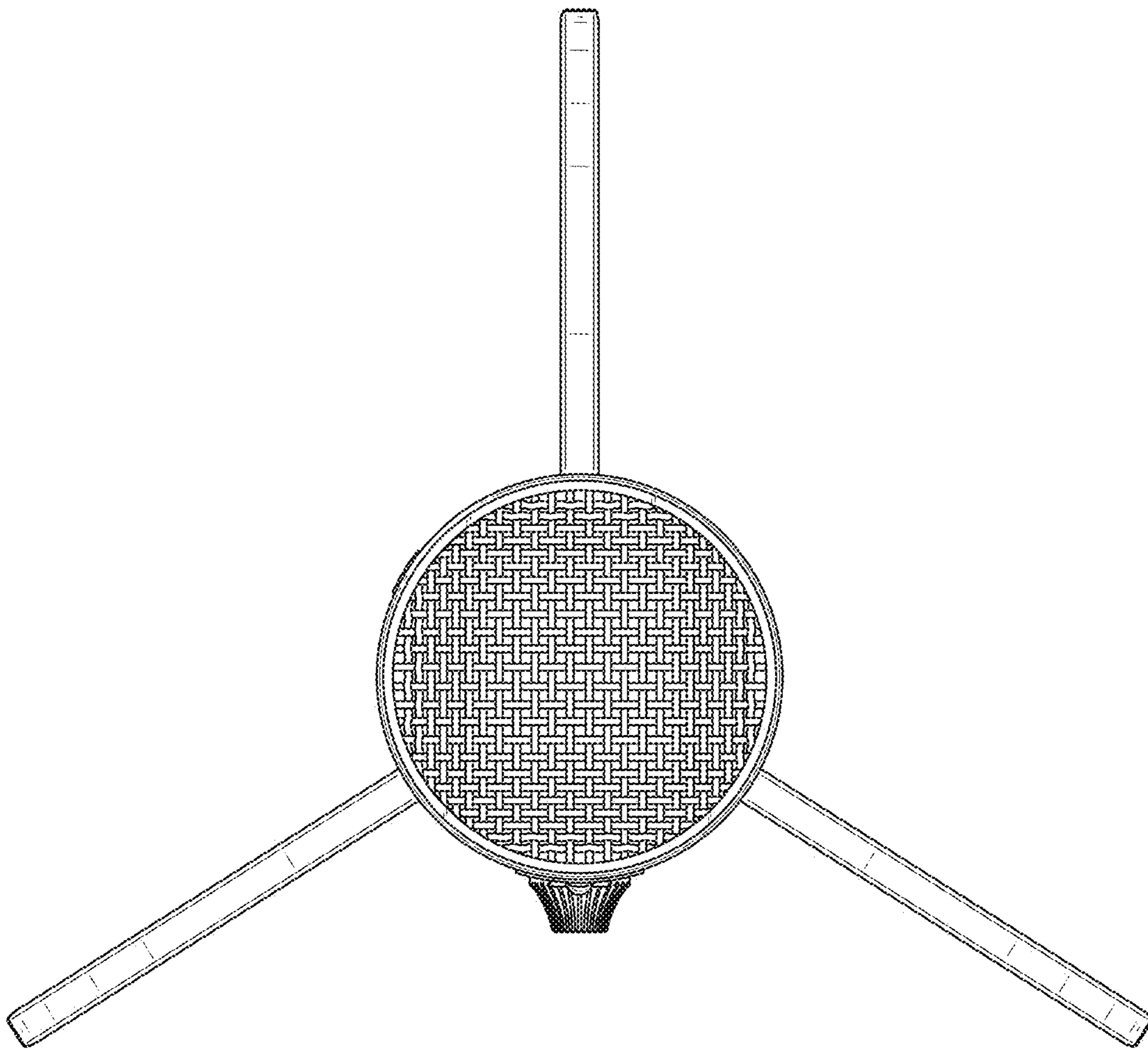


FIG. 13

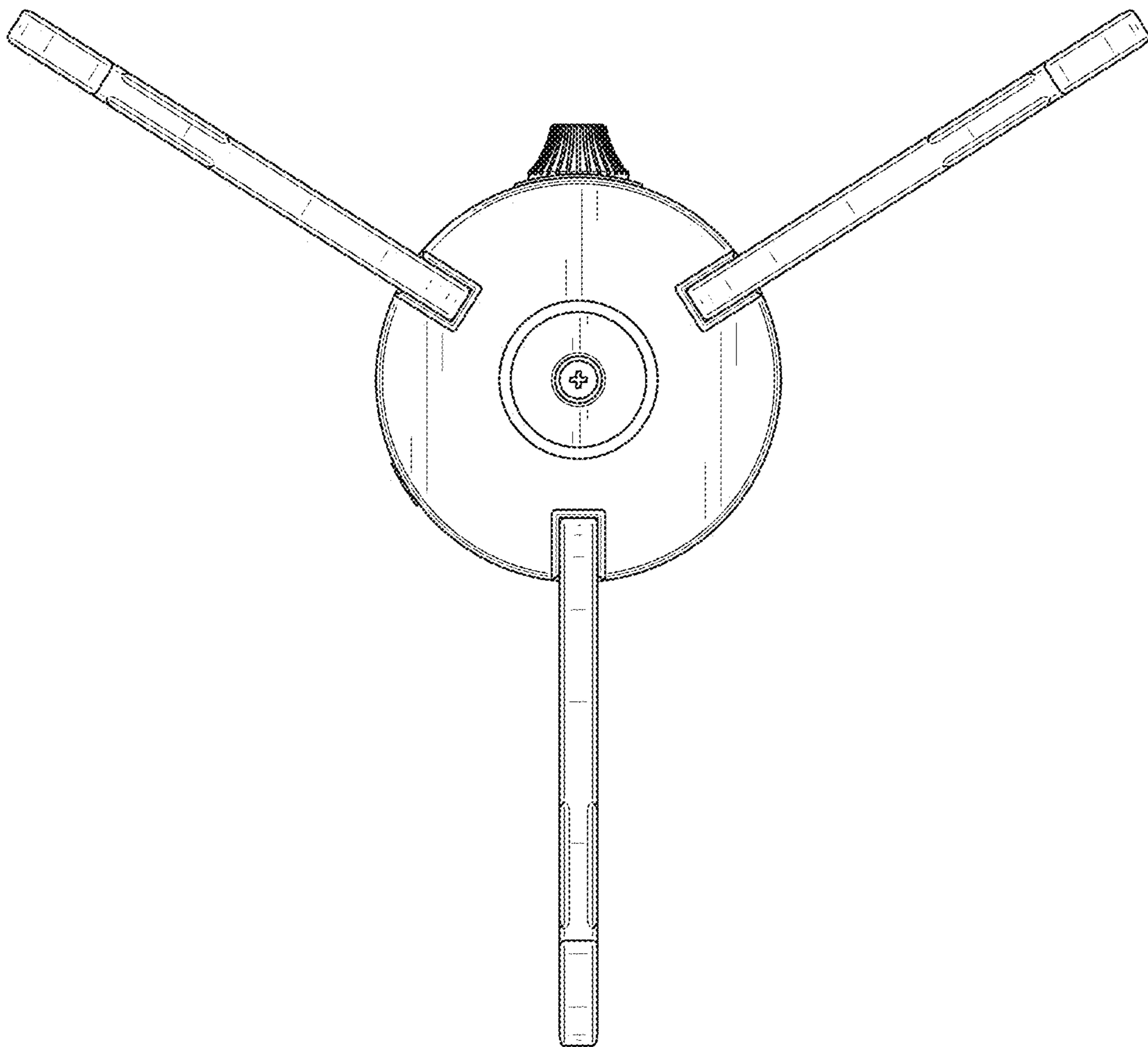


FIG. 14