



US00D931837S

(12) **United States Design Patent**
Lum et al.

(10) **Patent No.:** **US D931,837 S**

(45) **Date of Patent:** **** Sep. 28, 2021**

(54) **LOUDSPEAKER COVER**

(71) Applicant: **Harman International Industries, Incorporated**, Northridge, CA (US)

(72) Inventors: **Myk Wayne Lum**, Irvine, CA (US); **Joshua Edward Cantor**, Laguna Beach, CA (US); **Joseph Emerson**, Northridge, CA (US); **Jeffery Fay**, Farmington Hills, MI (US); **Wei Jun Tang**, Shenzhen (CN)

(73) Assignee: **Harman International Industries, Incorporated**, Northridge, CA (US)

(**) Term: **15 Years**

(21) Appl. No.: **29/740,748**

(22) Filed: **Jul. 7, 2020**

Related U.S. Application Data

(62) Division of application No. 29/631,564, filed on Dec. 29, 2017, now Pat. No. Des. 893,459.

(51) **LOC (13) Cl.** **14-01**

(52) **U.S. Cl.**
USPC **D14/219**; D14/221

(58) **Field of Classification Search**

USPC D14/167, 168, 170–172, 188, 194–196, D14/204, 209.1, 210–216, 219, 221, 222, D14/239, 496; D12/204

CPC B60R 11/0217; G06F 1/1688; G10K 9/22; G10K 11/004; H03F 1/327; H04M 1/03; H04M 1/035; H04N 5/642; H04N 21/4852; H04R 1/02; H04R 1/06; H04R 1/021; H04R 1/025; H04R 1/026; H04R 1/028; H04R 1/105; H04R 1/323; H04R 1/403; H04R 1/2803; H04R 1/2834; H04R 5/02; H04R 7/20; H04R 9/06; H04R 9/025; H04R 2201/021; H04R 2400/00; H04R 2400/07; H04R 2499/11; H04R 2499/13; H04R 2499/15; H04S 3/00; H04S 7/30

See application file for complete search history.

(56) **References Cited**

U.S. PATENT DOCUMENTS

D480,070	S	‡	9/2003	Hakoda	D14/216
D488,801	S	‡	4/2004	Shindo	D14/216
D506,993	S	*	7/2005	Suzuki	D14/221
D560,658	S	*	1/2008	Akaishi	D14/221
D572,240	S	‡	7/2008	Nakane	D14/219

(Continued)

FOREIGN PATENT DOCUMENTS

EM	000909031-0001	4/2008
EM	009090031-0001	‡ 4/2008

Primary Examiner — Keli L Hill

(74) *Attorney, Agent, or Firm* — Plumsea Law Group, LLC

(57) **CLAIM**

The ornamental design for a loudspeaker cover, as shown and described.

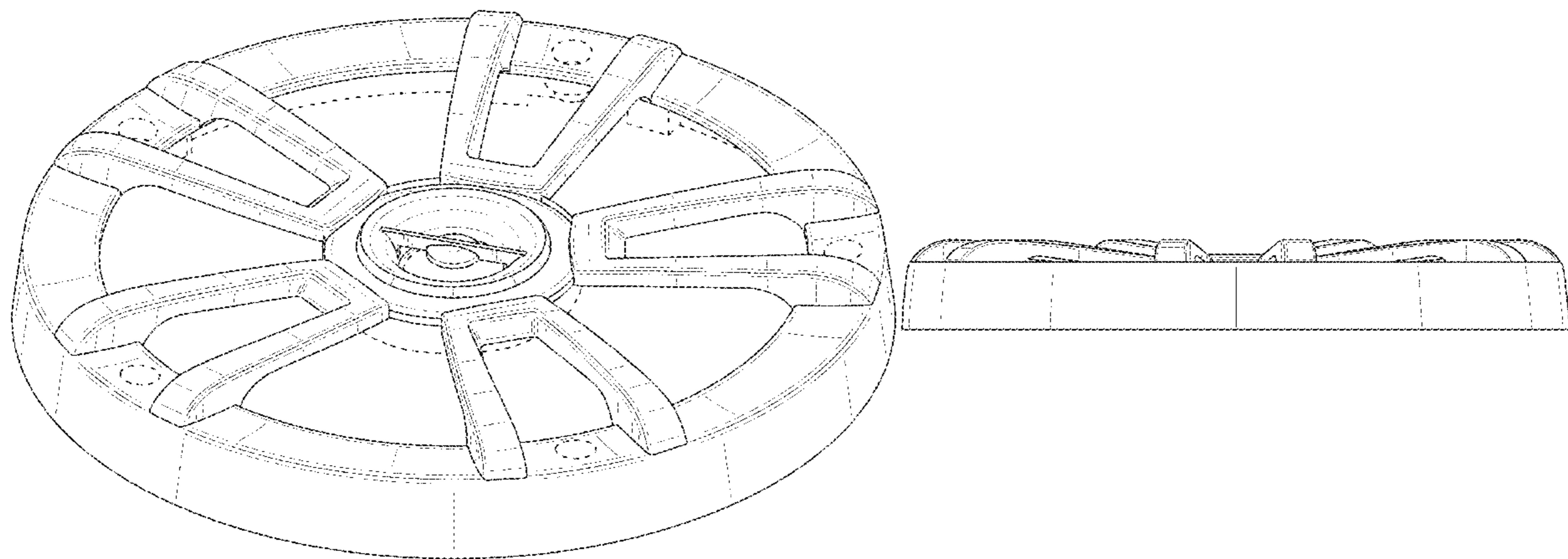
DESCRIPTION

FIG. 1 is a perspective view of a loudspeaker showing the new design;
FIG. 2 is a top plan view thereof;
FIG. 3 is a bottom plan view thereof;
FIG. 4 is a front elevational view thereof;
FIG. 5 is a rear elevational view thereof;
FIG. 6 is a side elevational view thereof; and,
FIG. 7 is an opposite side elevational view thereof.

The broken lines and unshaded areas form no part of the claimed design.

The shading on the loudspeaker is provided merely to represent contours of the design and does not connote the character of the surfaces such as any specific texture, material, gloss, translucence, transparency, surface treatment, or surface decoration.

1 Claim, 7 Drawing Sheets



(56)

References Cited

U.S. PATENT DOCUMENTS

D582,896	S	*	12/2008	Yokoyama	D14/221
D583,803	S	‡	12/2008	Lum	D14/21
D585,882	S	‡	2/2009	Lum	D14/22
D589,943	S	*	4/2009	Yokoyama	D14/221
D725,083	S	‡	3/2015	Lau	D14/224
D777,707	S	*	1/2017	Kimura	D14/216
D828,462	S	‡	9/2018	Sprowl	D21/563
D835,025	S	‡	12/2018	Metros	D12/209
D840,375	S	*	2/2019	Sakata	D14/216
D856,981	S	‡	8/2019	Bullimore	D14/221
D858,487	S	‡	9/2019	Proni	D14/219
D865,080	S	‡	10/2019	Sprowl	D21/563
D897,317	S	*	9/2020	Telle	D14/219

* cited by examiner

‡ imported from a related application

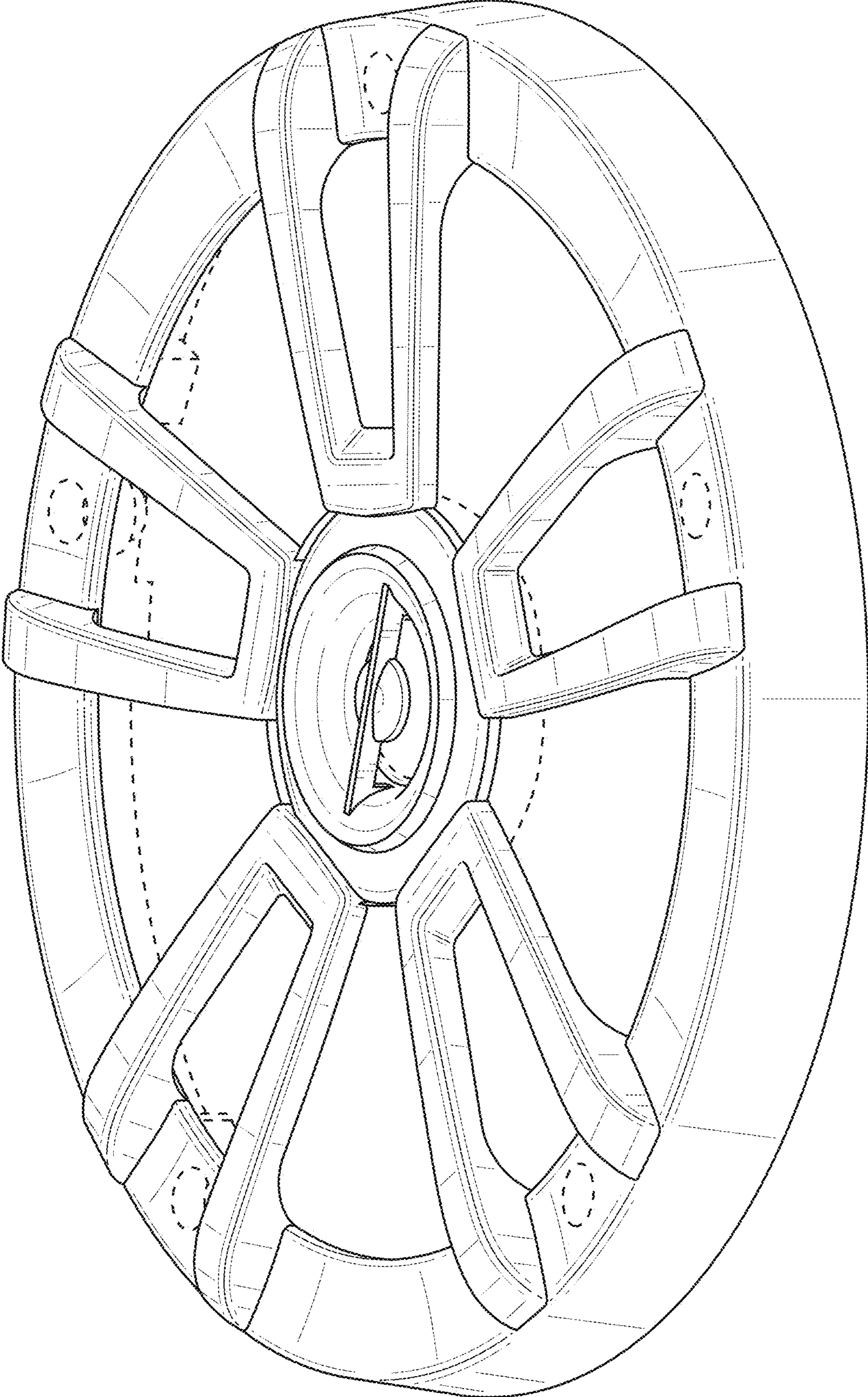


FIG. 1

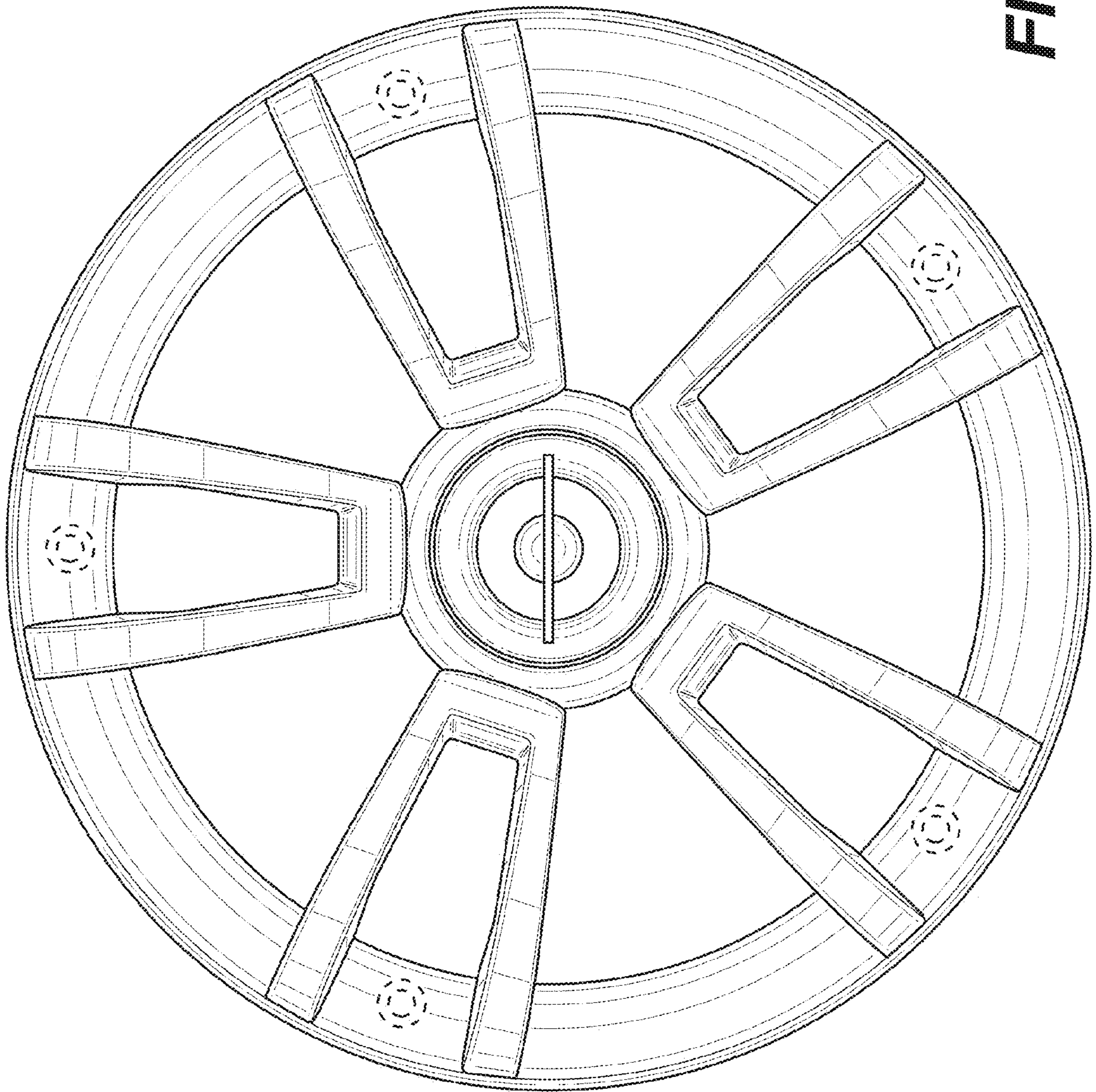


FIG. 2

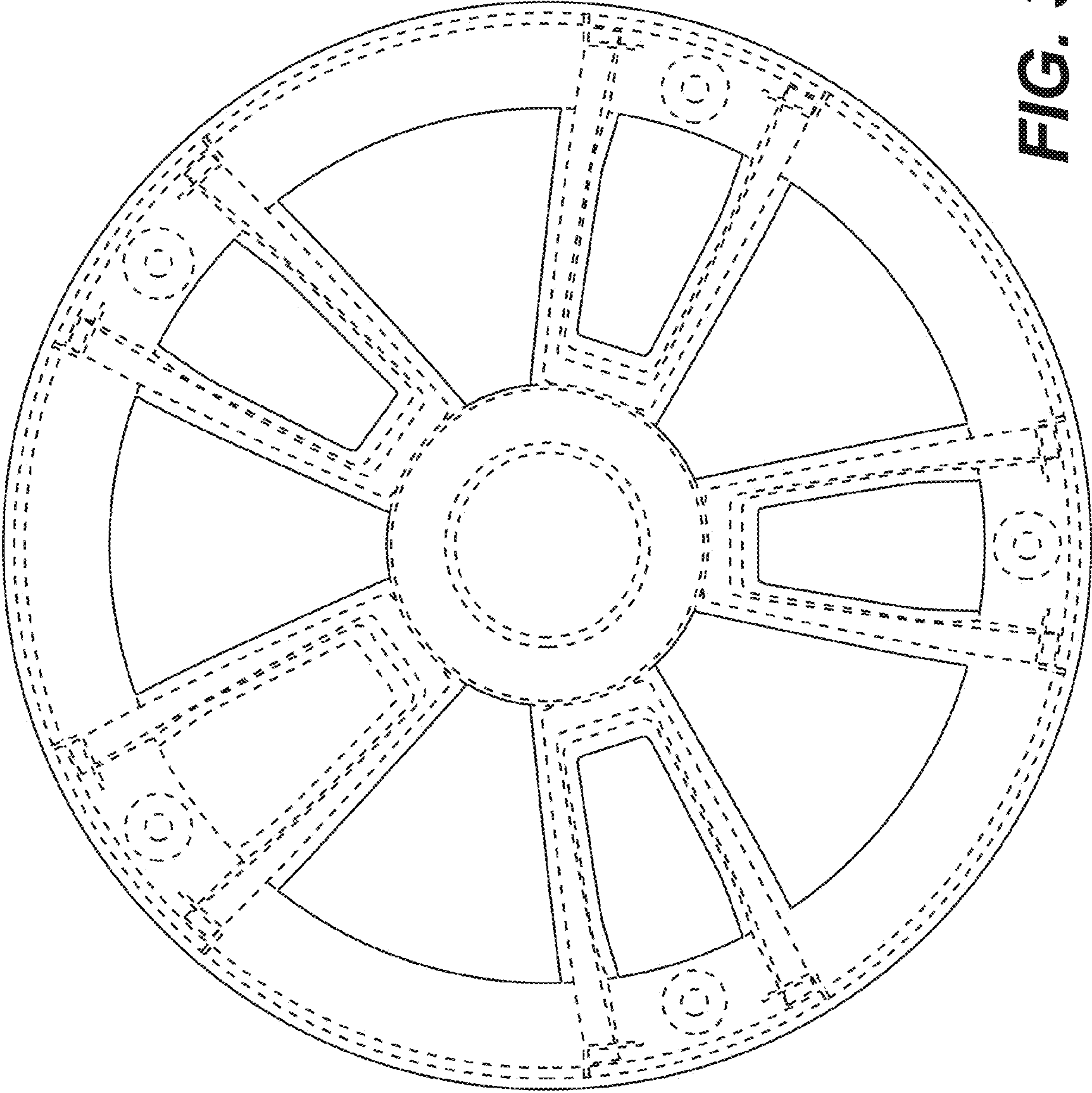


FIG. 3

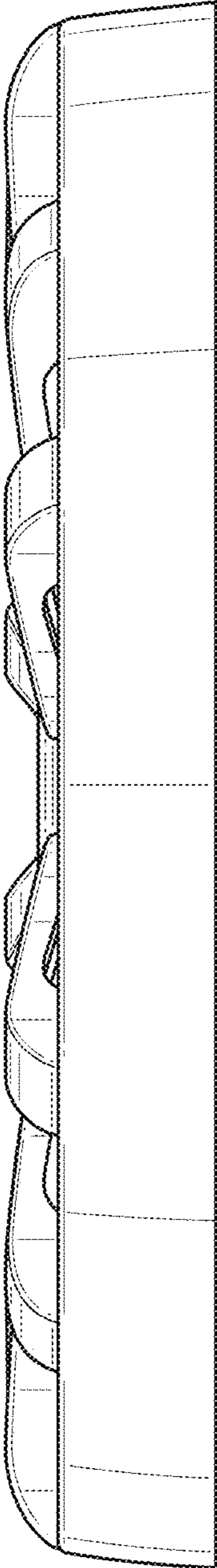


FIG. 4

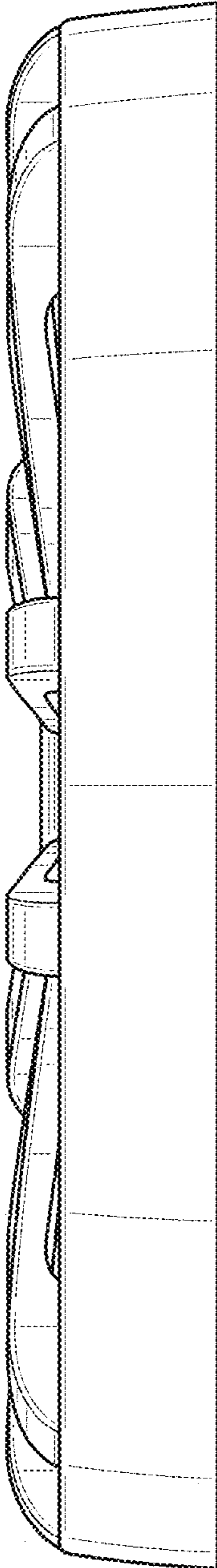


FIG. 5

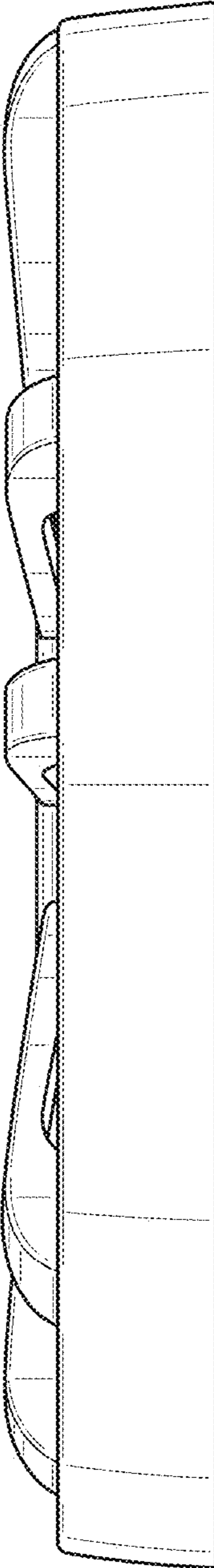


FIG. 6

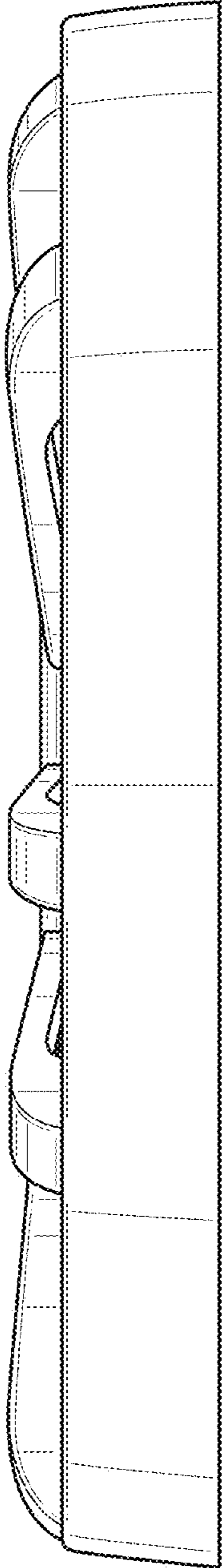


FIG. 7