



US00D931835S

(12) **United States Design Patent** (10) **Patent No.:** **US D931,835 S**
Salem (45) **Date of Patent:** **** Sep. 28, 2021**

(54) **WRISTBAND CONTROLLER**
(71) Applicant: **Switch Project, LLC**, Woodland Hills, CA (US)
(72) Inventor: **Ben Salem**, Sherman Oaks, CA (US)
(73) Assignee: **Switch Project, LLC**, Woodland Hills, CA (US)

RE42,686 E * 9/2011 Shimizu D13/168
D654,478 S * 2/2012 Noh D14/218
D656,845 S * 4/2012 Maier D10/39
D679,618 S * 4/2013 Dumas D10/104.2
D687,415 S * 8/2013 Vuillet D14/218
D703,190 S * 4/2014 Zaslavsky D14/218
D726,692 S * 4/2015 Peh D14/218
9,172,148 B2 * 10/2015 Lyons H01Q 21/28
D765,059 S * 8/2016 Fries D14/218
D768,114 S * 10/2016 Hou D14/218

(Continued)

(**) Term: **15 Years**

(21) Appl. No.: **29/724,080**

(22) Filed: **Feb. 12, 2020**

(51) **LOC (13) Cl.** **14-03**

(52) **U.S. Cl.**
USPC **D14/218; D14/344; D10/31**

(58) **Field of Classification Search**
USPC D10/30-39, 65, 70, 97, 98, 122, 132, D10/104.2, 106.94, 106.5; D14/218, 250, D14/344, 440; D24/167, 168, 186; D11/3, 5; D21/531; D13/168
CPC G04B 37/005; G04B 37/0058; G04B 37/0084; G04B 37/087; G04B 37/12; A44C 5/00; A44C 5/02; A44C 5/0007; A44C 5/0015; A44C 5/0023; A44C 5/0053; A44C 5/147; G06F 1/163; A61B 5/681

See application file for complete search history.

(56) **References Cited**

U.S. PATENT DOCUMENTS

D181,013 S * 9/1957 Mamie D10/38
D376,544 S * 12/1996 Egbert D10/30
D462,336 S * 9/2002 Chaiken D10/31
D514,525 S * 2/2006 Stauffer D13/168
D565,426 S * 4/2008 Rabassa D10/30
D594,851 S * 6/2009 Dai D14/218
D641,342 S * 7/2011 Chang D14/240
D643,412 S * 8/2011 Brady D14/218

OTHER PUBLICATIONS

WowWee CHiP is a hyper engaging robot pet | mashable.com; Aug. 2016 [online]. © 2021 Mashable, Inc. [retrieved Apr. 29, 2021] from Internet: <<https://mashable.com/2016/08/16/wowwee-chip-review/>> (Year: 2016).*

(Continued)

Primary Examiner — Katherine Glennon
(74) *Attorney, Agent, or Firm* — Kenja IP Law PC

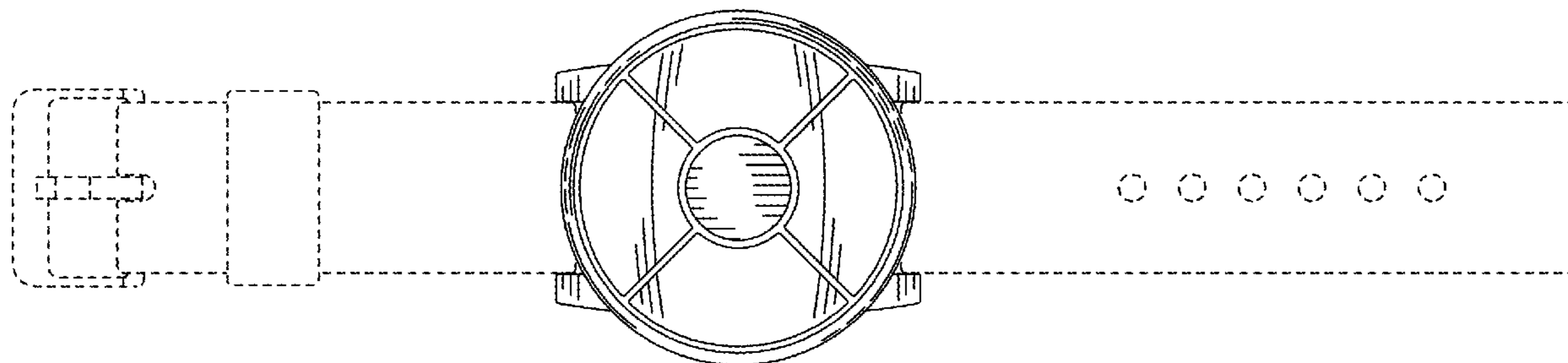
(57) **CLAIM**

I claim the ornamental design for a wristband controller, as shown and described.

DESCRIPTION

FIG. 1 is a front elevation view of a wristband controller; FIG. 2 is a back elevation view of the wristband controller; FIG. 3 is a left side elevation view of the wristband controller; FIG. 4 is a right side elevation view of the wristband controller; FIG. 5 is a bottom elevation view of the wristband controller; FIG. 6 is a top front perspective view of the wristband controller; and, FIG. 7 is a bottom perspective view of the wristband controller;

1 Claim, 3 Drawing Sheets



(56)

References Cited

U.S. PATENT DOCUMENTS

D770,422 S * 11/2016 Park D14/218
 D792,865 S * 7/2017 Park D14/138 R
 D796,355 S * 9/2017 Cho D10/70
 D827,831 S * 9/2018 Fong D24/167
 D834,560 S * 11/2018 Hardi D14/218
 D845,930 S * 4/2019 Schulz D14/218
 10,374,816 B1 8/2019 Leblang
 D858,463 S * 9/2019 Nien D13/168
 D868,778 S * 12/2019 Reivo D14/344
 D870,078 S * 12/2019 Kim D14/218
 D926,053 S * 7/2021 Soheili D10/38
 2002/0097188 A1 7/2002 Coloney
 2002/0148625 A1 10/2002 Darling
 2009/0088876 A1* 4/2009 Conley G11B 27/10
 700/94
 2009/0121931 A1 5/2009 Katz
 2010/0073870 A1 3/2010 Diez Munoz
 2013/0331058 A1 12/2013 Harvey
 2014/0009435 A1 1/2014 Shs
 2015/0107022 A1 4/2015 Al Yazdi
 2015/0221244 A1 8/2015 Miller

2015/0380847 A1 12/2015 Sun et al.
 2015/0382096 A1 12/2015 Lamar
 2016/0091922 A1 3/2016 Nazzaro
 2016/0164973 A1 6/2016 Kapoor
 2016/0253050 A1 9/2016 Mishra et al.
 2016/0274408 A1 9/2016 Bushnell
 2017/0164670 A1 6/2017 Hale
 2017/0212474 A1* 7/2017 Iguchi G04B 37/0008
 2017/0290207 A1 10/2017 Smith
 2018/0263501 A1* 9/2018 Shim A61B 5/681
 2018/0343024 A1* 11/2018 Sahebjavaher G06F 1/163
 2018/0368365 A1 12/2018 Van Curen et al.
 2019/0219970 A1* 7/2019 Hiraide G04G 21/025
 2019/0348751 A1 11/2019 Finegold
 2020/0226919 A1* 7/2020 Salem H04N 5/23203
 2020/0275183 A1* 8/2020 Salem H04R 1/1058
 2020/0396873 A1* 12/2020 Salem G06F 1/1607

OTHER PUBLICATIONS

International Search Report with Written Opinion dated Apr. 24, 2020, for PCT Application No. PCT/US2020/013381.

* cited by examiner

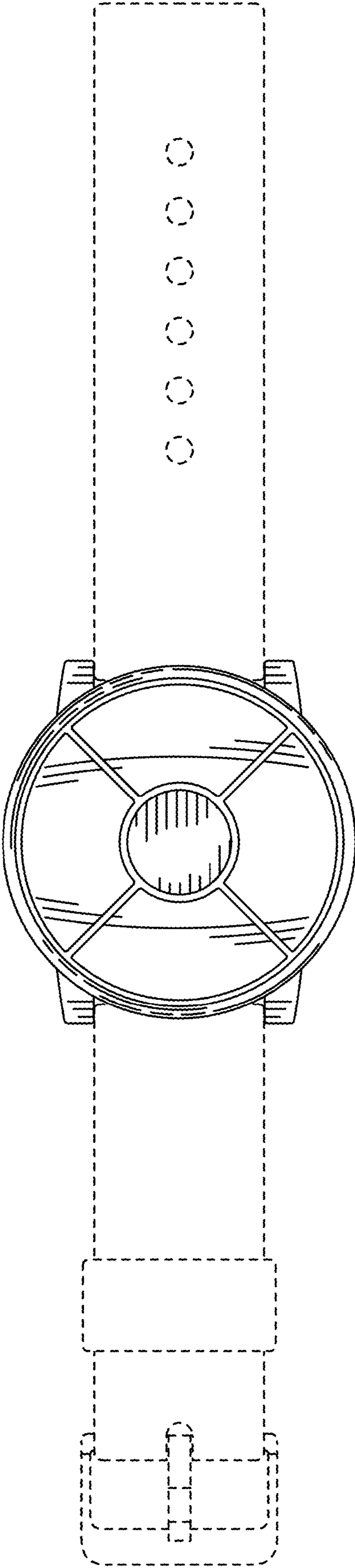


Fig. 1

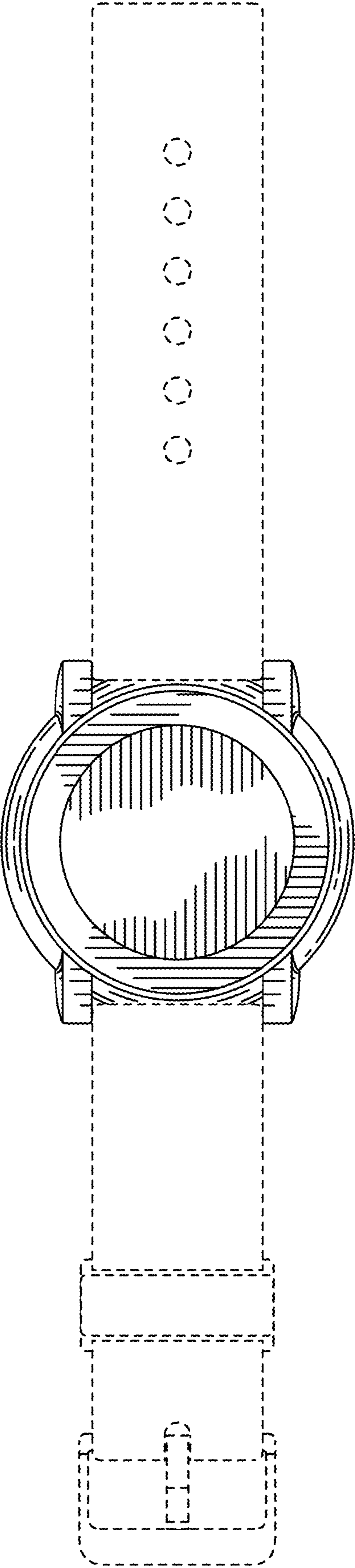


Fig. 2

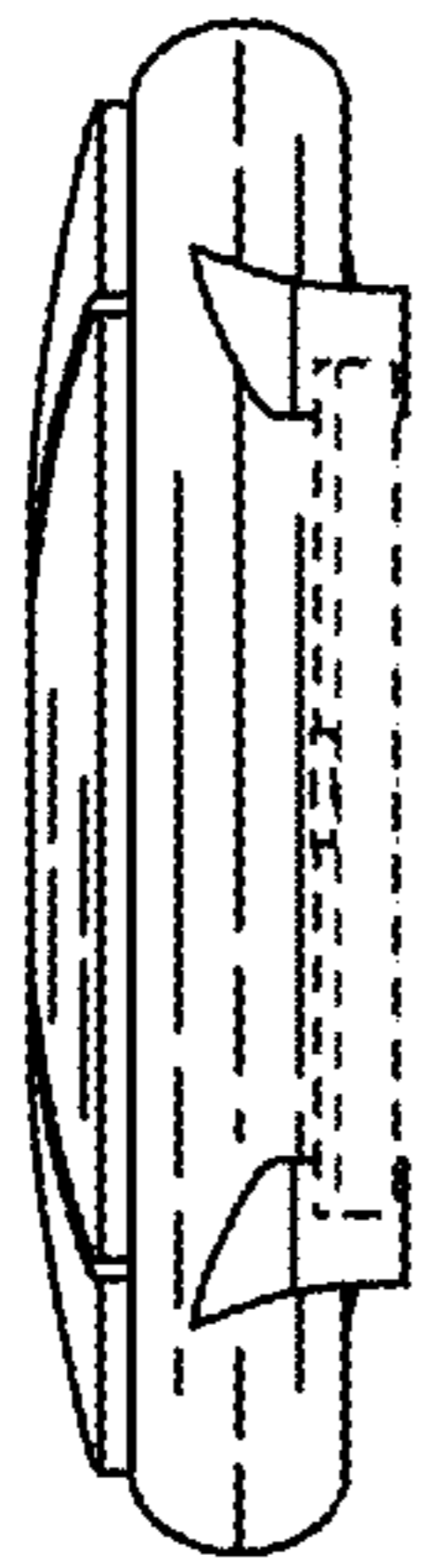


Fig. 3

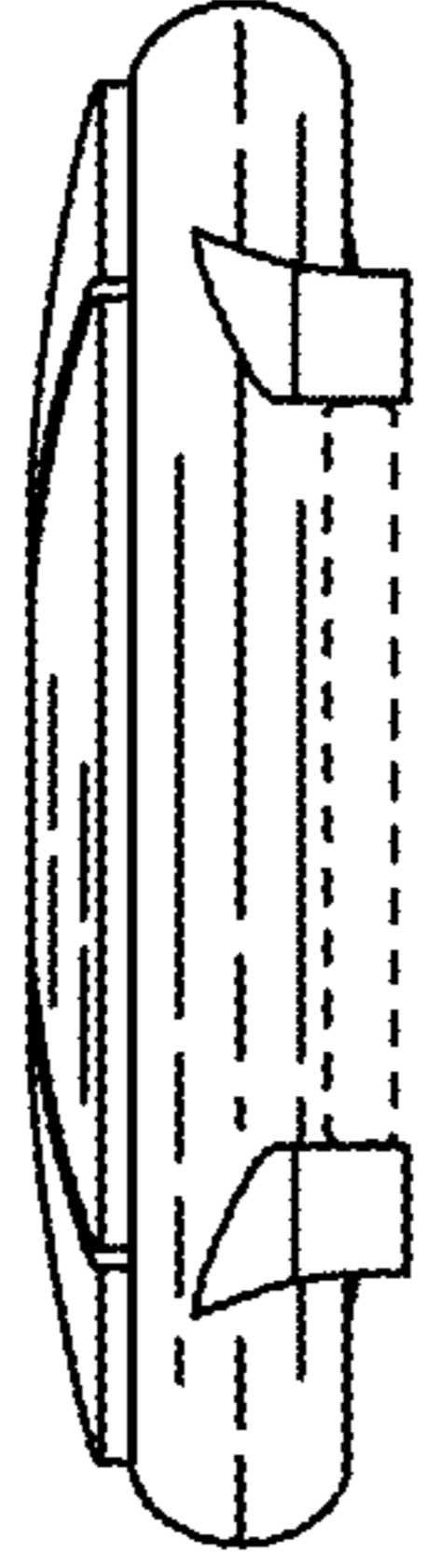


Fig. 4

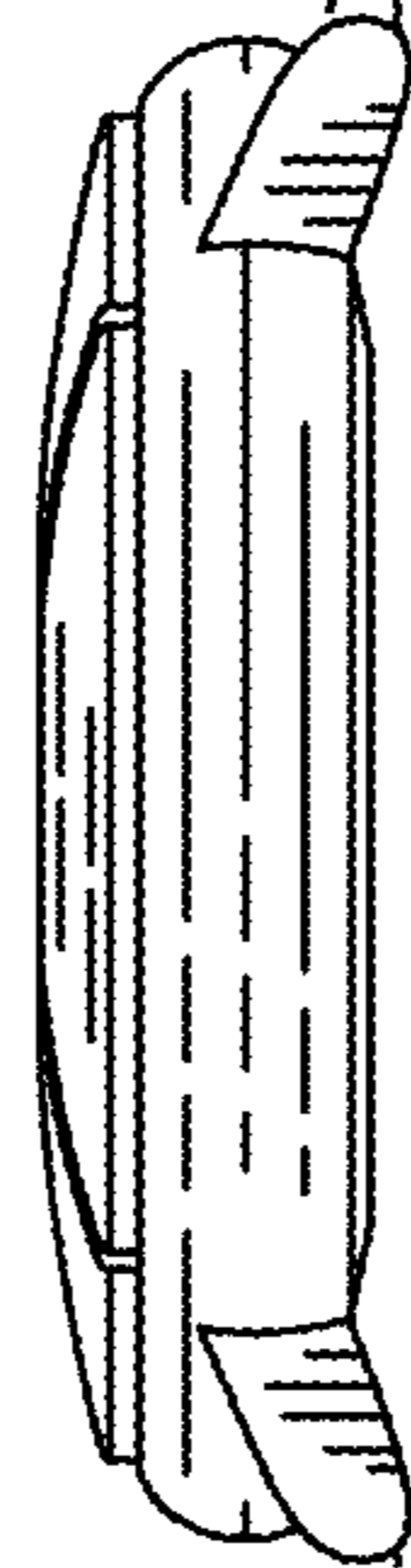


Fig. 5

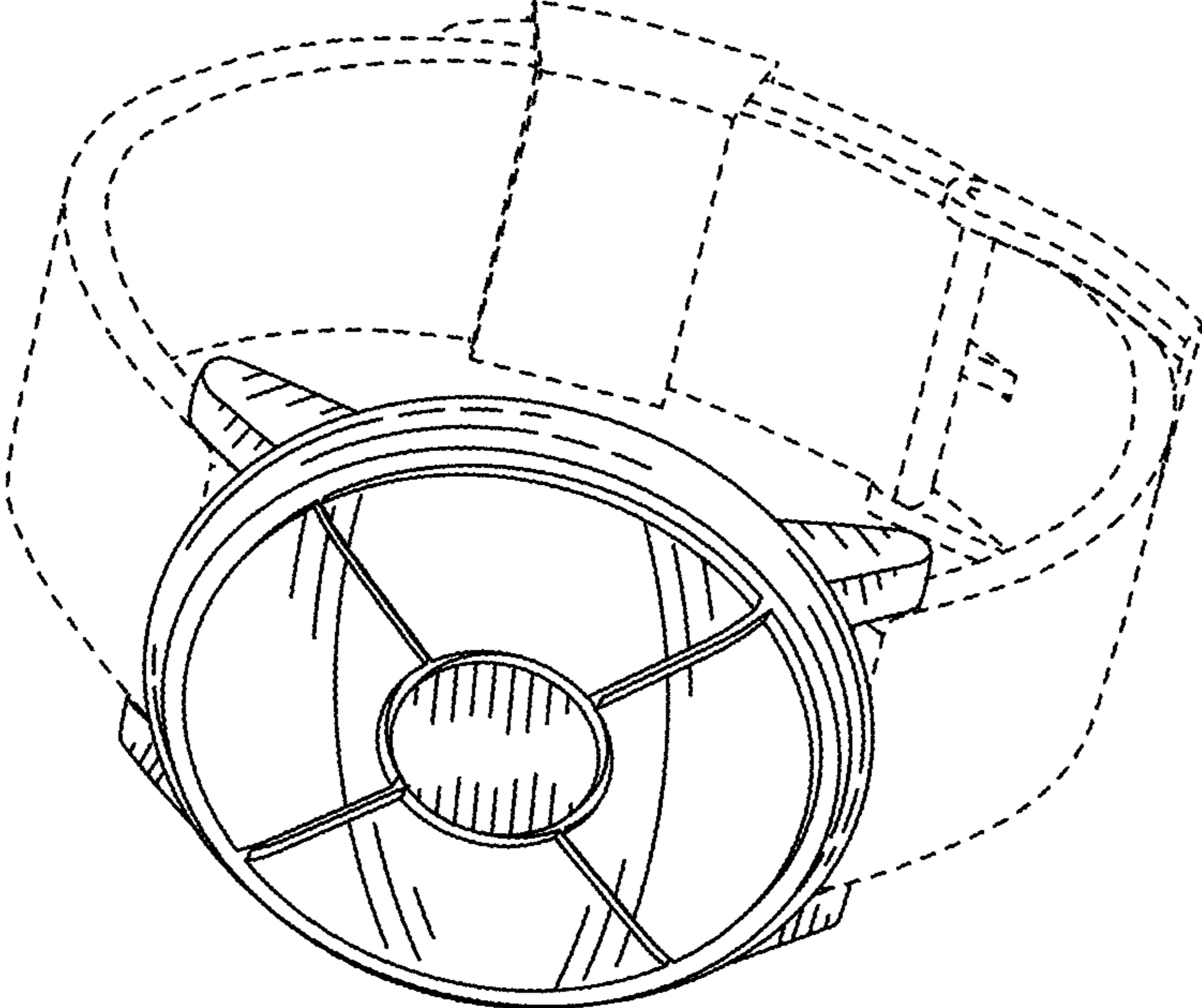


Fig. 6

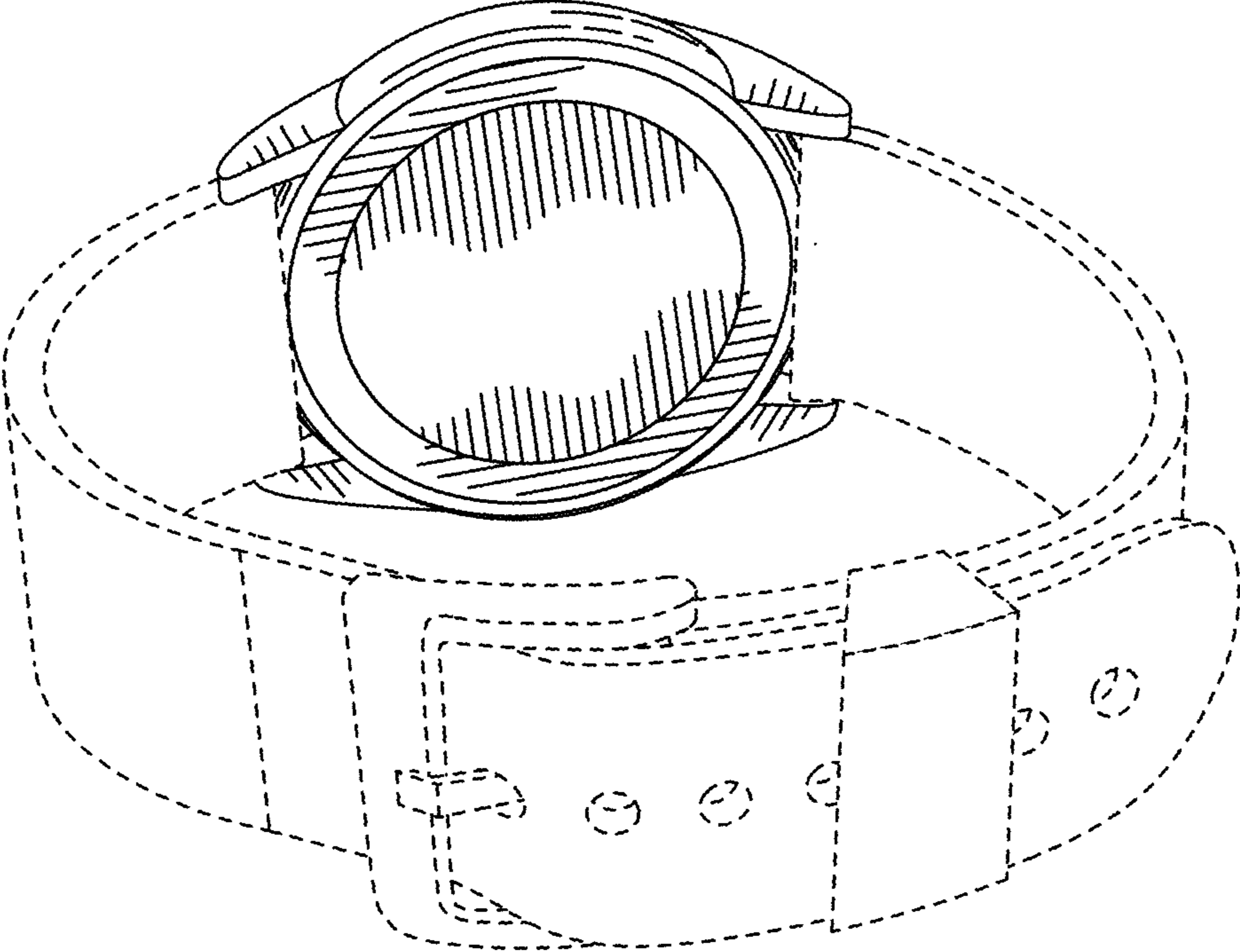


Fig. 7