



US00D931834S

(12) **United States Design Patent**
Han et al.

(10) **Patent No.:** **US D931,834 S**
(45) **Date of Patent:** **** Sep. 28, 2021**

(54) **ELECTRONIC DEVICE**
(71) Applicant: **Amazon Technologies, Inc.**, Seattle, WA (US)
(72) Inventors: **Sun Joo Han**, San Francisco, CA (US); **Giles David Matthew McWilliam**, San Francisco, CA (US)
(73) Assignee: **Amazon Technologies, Inc.**, Seattle, WA (US)
(**) Term: **15 Years**

D729,205 S * 5/2015 Shu D14/216
D756,956 S * 5/2016 Van Den Nieuwenhuizen D14/204
D826,205 S * 8/2018 Langhammer D14/203.6
D829,684 S * 10/2018 Hardi D14/204
D841,630 S * 2/2019 Mecchella D14/238.1
D848,398 S * 5/2019 Huang D14/216
D900,812 S * 11/2020 Friedman D14/357
D901,441 S * 11/2020 Huang D14/214
D906,280 S * 12/2020 Matarese D14/204
D906,290 S * 12/2020 Kang D14/216
D908,660 S * 1/2021 Xi D14/204
D909,333 S * 2/2021 Wu G10L 15/28 D14/204

(Continued)

(21) Appl. No.: **29/650,576**
(22) Filed: **Jun. 7, 2018**
(51) **LOC (13) Cl.** **14-01**
(52) **U.S. Cl.**
USPC **D14/216**
(58) **Field of Classification Search**
USPC D14/167, 168, 170–172, 188, 194–196, D14/204, 209.1, 210–216, 219, 221, 222, D14/224, 239, 496
CPC B60R 11/0217; G06F 1/1688; G10K 9/22; G10K 11/004; H03F 1/327; H04M 1/03; H04M 1/035; H04N 5/642; H04N 21/4852; H04R 1/02; H04R 1/06; H04R 1/021; H04R 1/025; H04R 1/026; H04R 1/028; H04R 1/105; H04R 1/323; H04R 1/403; H04R 1/2803; H04R 1/2834; H04R 5/02; H04R 7/20; H04R 9/06; H04R 9/025; H04R 2201/021; H04R 2400/00; H04R 2201/07; H04R 2499/11; H04R 2499/13; H04R 2499/15; H04S 3/00; H04S 7/30
See application file for complete search history.

OTHER PUBLICATIONS

The Canadian Office Action dated Mar. 5, 2020 for Canadian Patent Application No. 184868, a counterpart of U.S. Appl. No. 29/650,576, 2 pages.

(Continued)

Primary Examiner — Keli L Hill
(74) *Attorney, Agent, or Firm* — Lee & Hayes, P.C.

(57) **CLAIM**

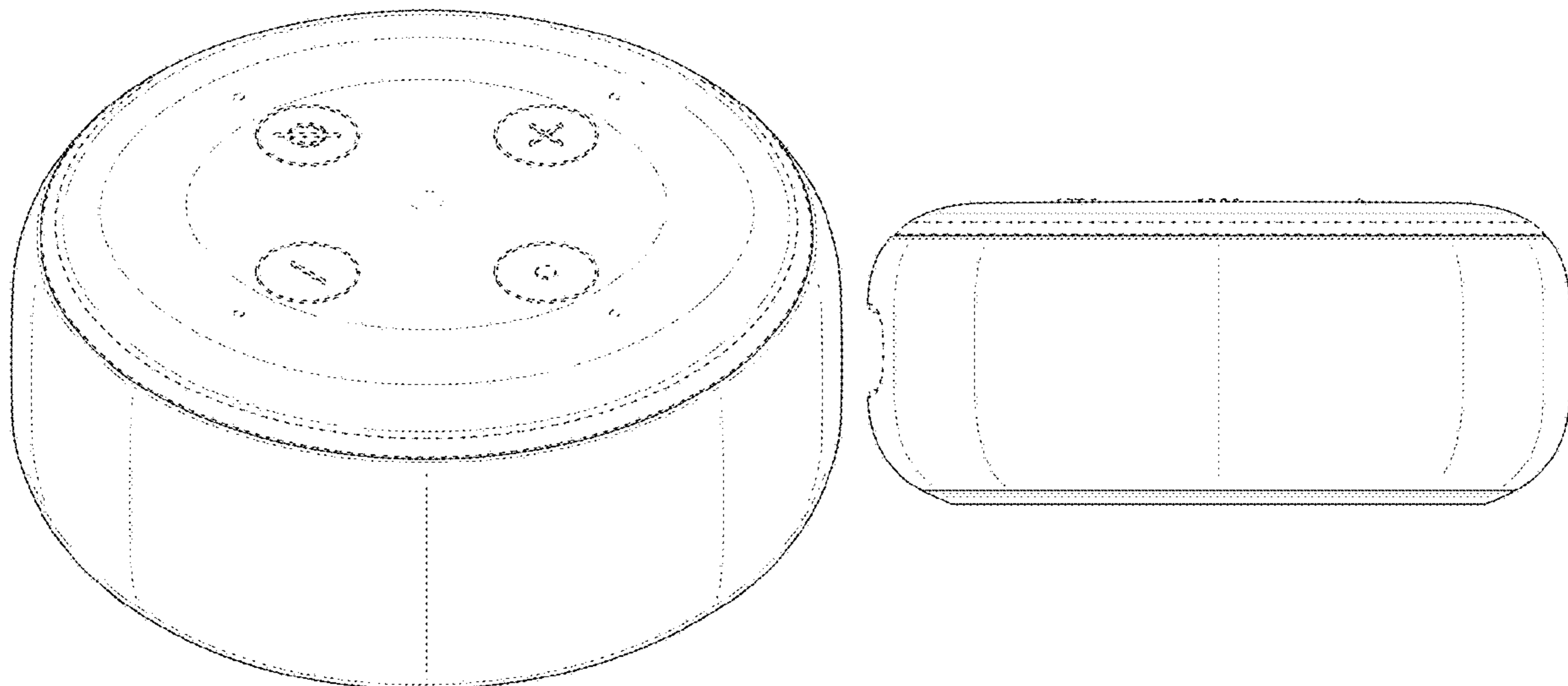
The ornamental design for an electronic device, as shown and described.

DESCRIPTION

FIG. 1 is a top perspective view of an electronic device; FIG. 2 is a bottom perspective view thereof; FIG. 3 is a front view thereof; FIG. 4 is a back view thereof; FIG. 5 is a left-side view thereof; FIG. 6 is a right-side view thereof; FIG. 7 is a top view thereof; and, FIG. 8 is a bottom view thereof. The dashed broken lines depict portions of the electronic device that form no part of the claimed design.

1 Claim, 8 Drawing Sheets

(56) **References Cited**
U.S. PATENT DOCUMENTS
D83,282 S * 2/1931 Smithc D5/54
D671,528 S * 11/2012 Fathollahi D14/216



(56)

References Cited

U.S. PATENT DOCUMENTS

D916,051 S * 4/2021 Wang D14/216
2019/0394547 A1* 12/2019 Lemons G10L 15/28

OTHER PUBLICATIONS

The Canadian Office Action dated Dec. 3, 2019, for Canadian Design Application No. 184868, a counterpart foreign application of Design U.S. Appl. No. 29/650,576, 3 pages.

The Indian Office Action dated Jan. 9, 2019 for Indian Patent Application No. 312774-001, a counterpart of U.S. Appl. No. 29/650,576, 2 pages.

* cited by examiner

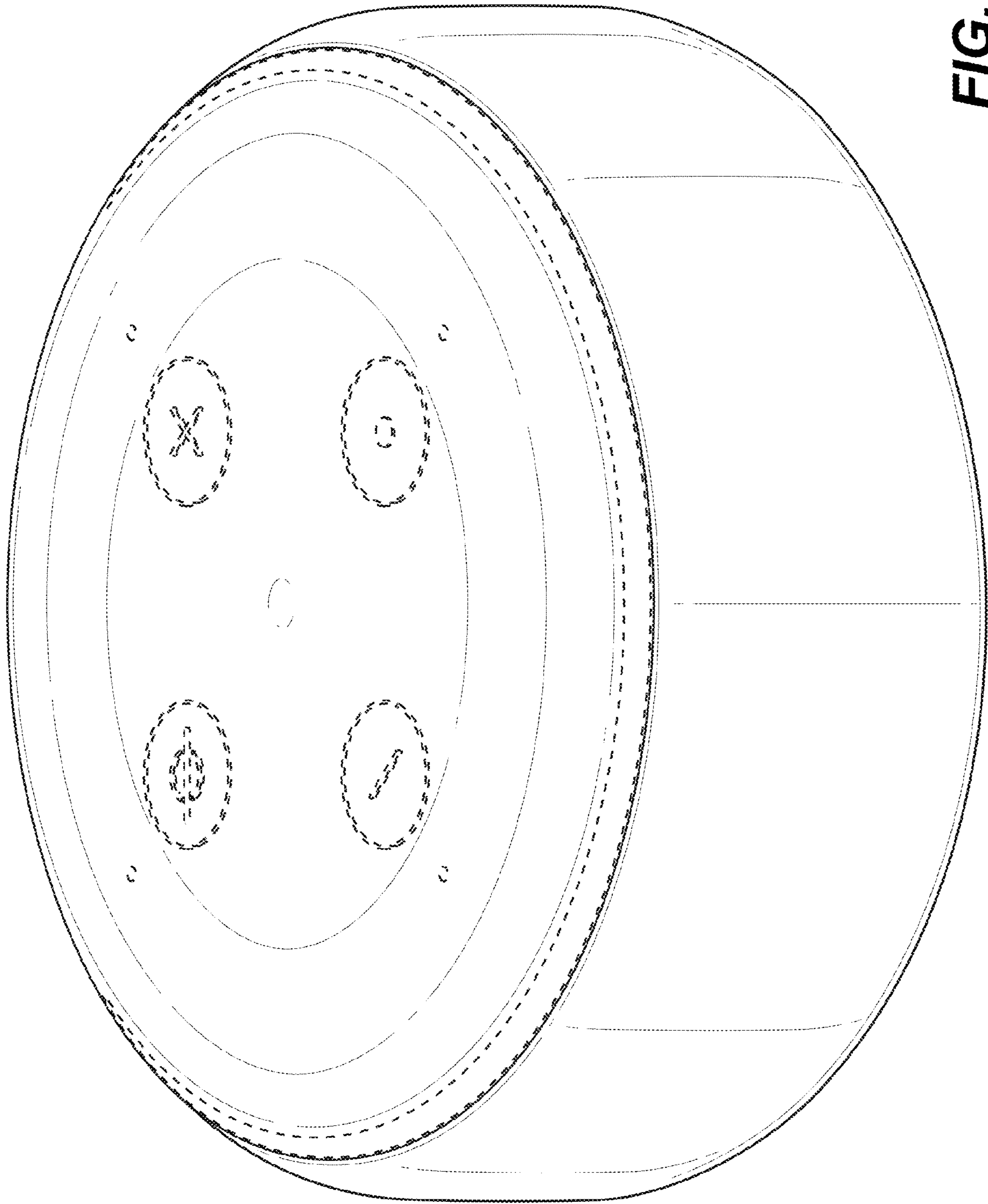


FIG. 1

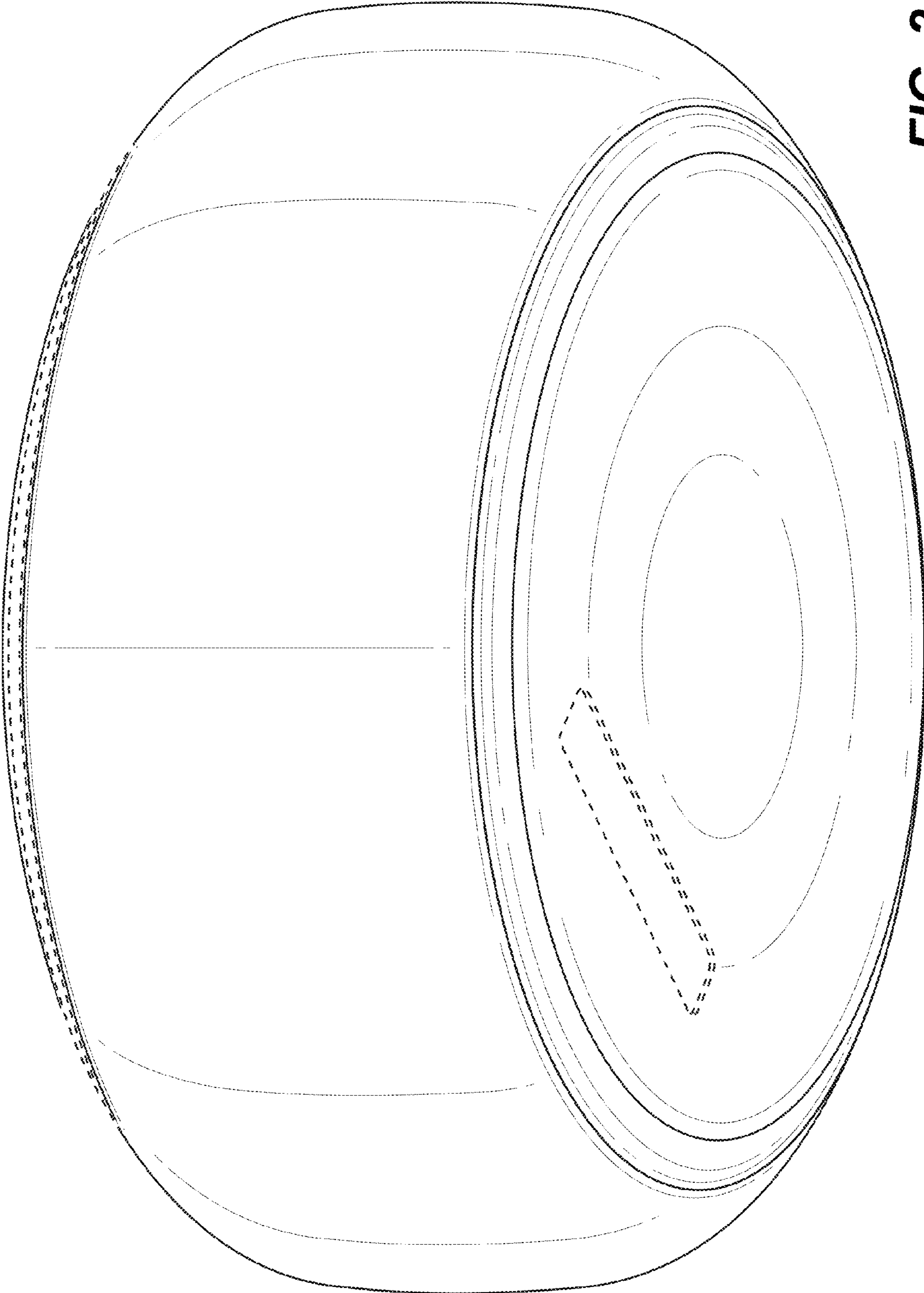


FIG. 2

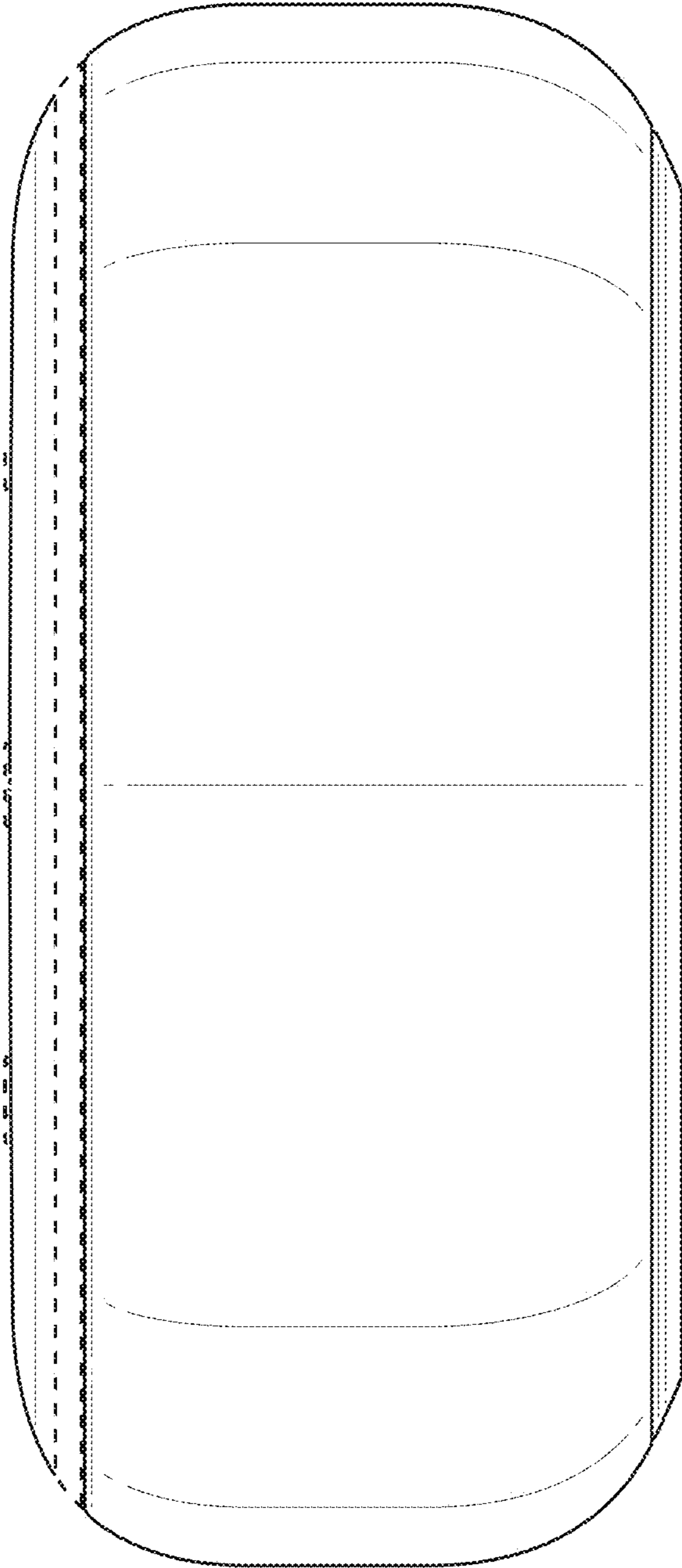


FIG. 3

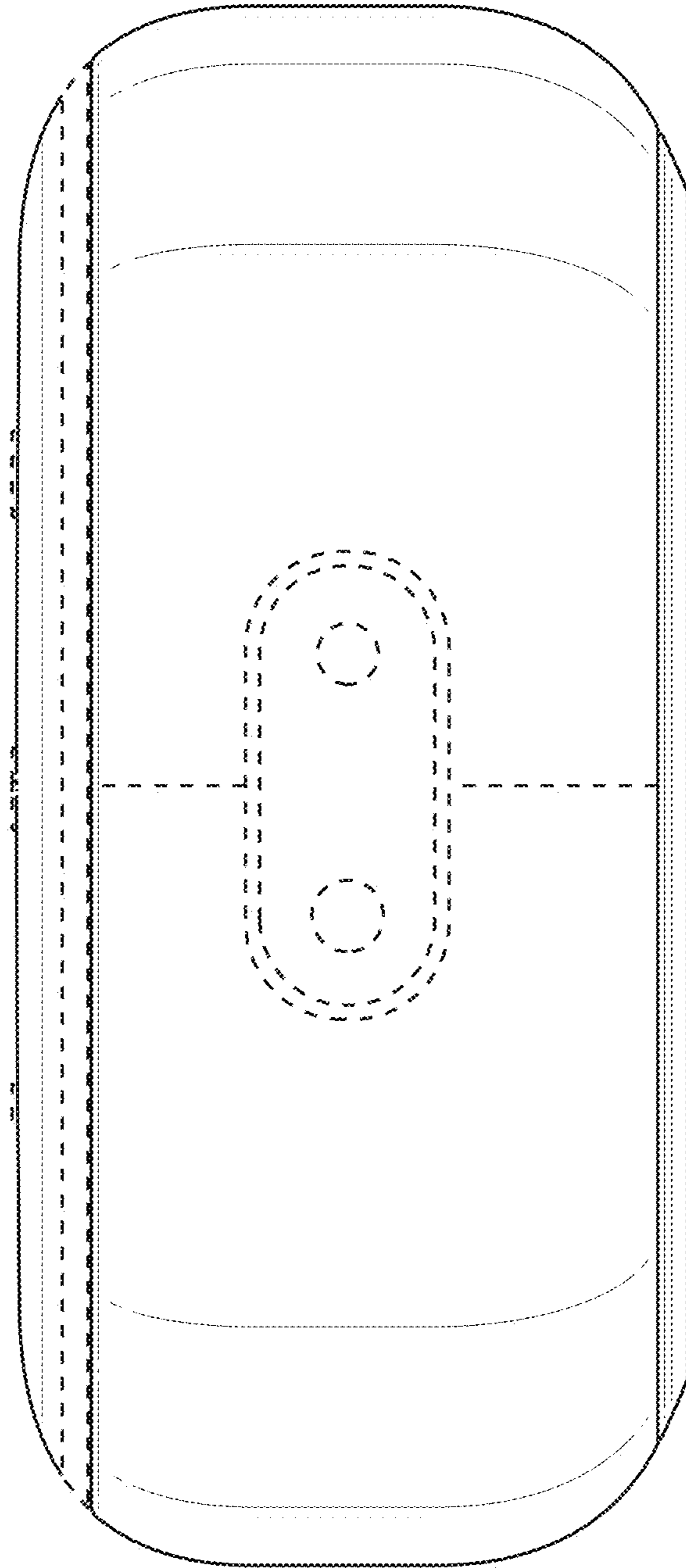


FIG. 4

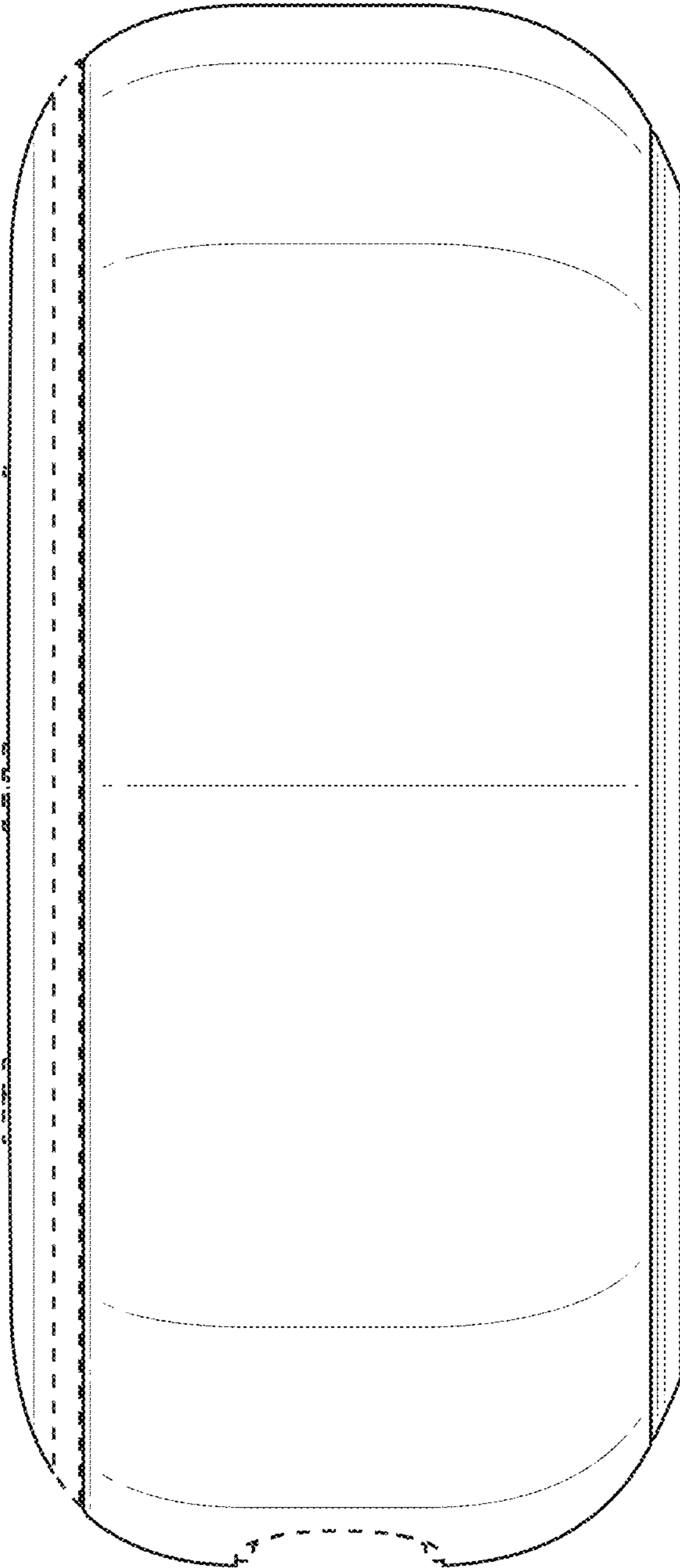


FIG. 5

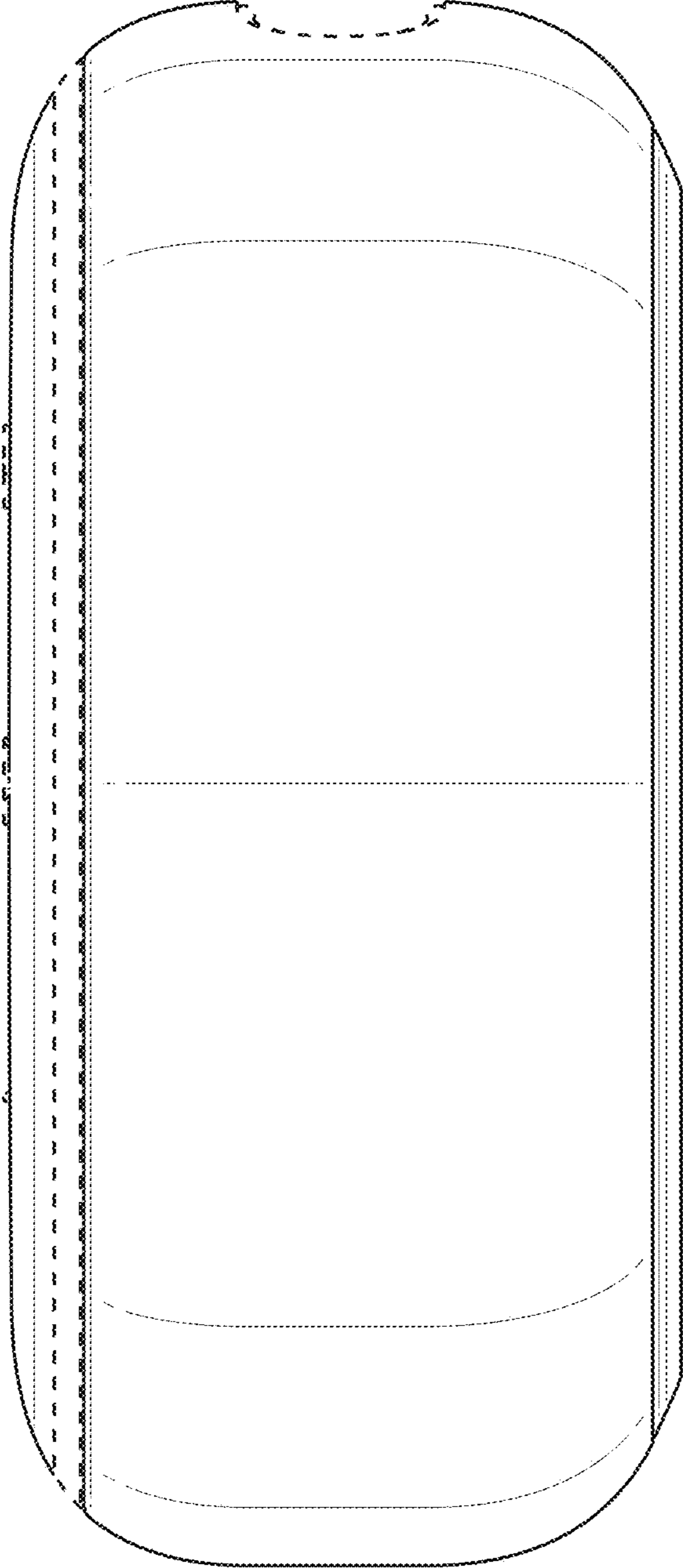


FIG. 6

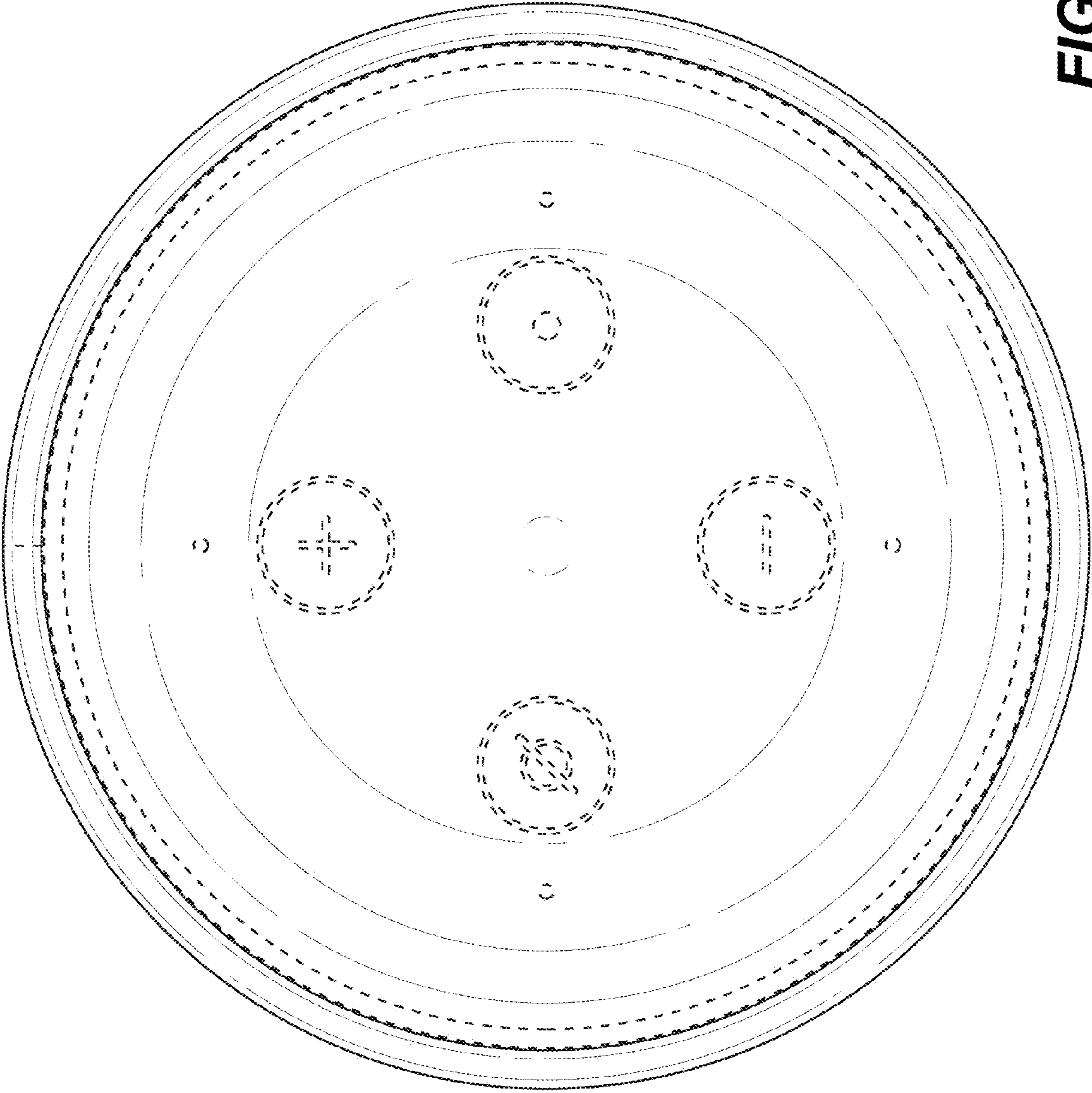


FIG. 7

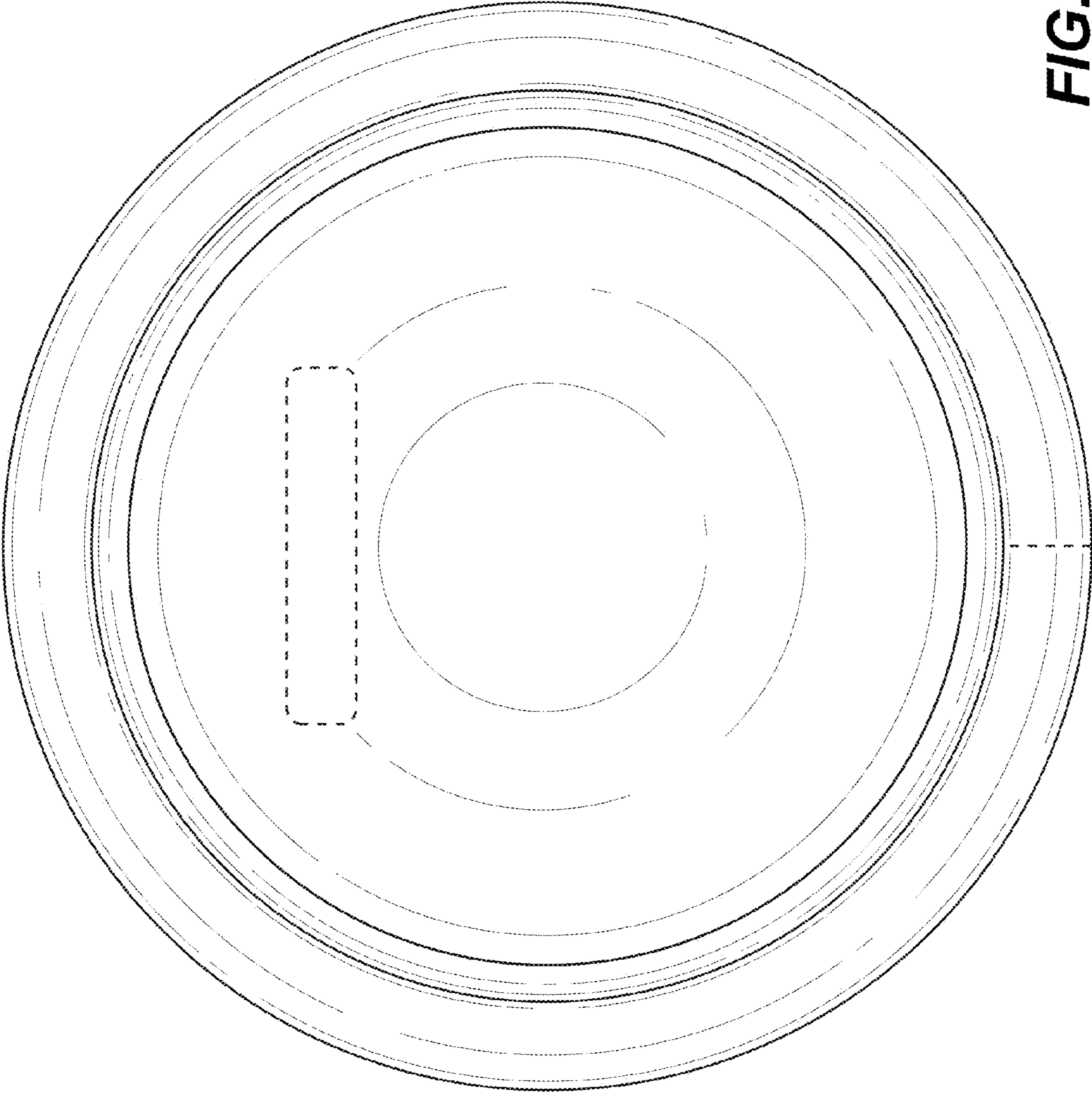


FIG. 8