



US00D931832S

(12) **United States Design Patent**
Kim et al.

(10) **Patent No.:** **US D931,832 S**
(45) **Date of Patent:** **** Sep. 28, 2021**

(54) **SOUND BAR**

FOREIGN PATENT DOCUMENTS

(71) Applicant: **Samsung Electronics Co., Ltd.**,
Suwon-si (KR)

EM 001397657-0002 3/2016
EM 001397657-0003 3/2016

(Continued)

(72) Inventors: **Jun-Pyo Kim**, Suwon-si (KR); **Sung-II Bang**, Suwon-si (KR); **Byung Wook Kang**, Suwon-si (KR)

OTHER PUBLICATIONS

Samsung HW-Q70T 3.1.2ch Soundbar, date first available: Apr. 13, 2020, [retrieved May 21, 2021], Retrieved from Internet, URL: <<https://www.amazon.com/SAMSUNG-HW-Q70T-3-1-2ch-Soundbar-Dolby/dp/B085WTR9FC>> (Year: 2020).*

(Continued)

(73) Assignee: **Samsung Electronics Co., Ltd.**,
Suwon-si (KR)

(**) Term: **15 Years**

Primary Examiner — Barbara Fox

Assistant Examiner — Aram Kwon

(21) Appl. No.: **29/723,495**

(74) *Attorney, Agent, or Firm* — NSIP Law

(22) Filed: **Feb. 7, 2020**

(57) **CLAIM**

We claim the ornamental design for a sound bar, as shown and described.

(30) **Foreign Application Priority Data**

DESCRIPTION

Sep. 2, 2019 (KR) 30-2019-0042220

(51) **LOC (13) Cl.** **14-01**

(52) **U.S. Cl.**

USPC **D14/214**; D14/204

(58) **Field of Classification Search**

USPC D14/155–159, 160–173, 187–188,
D14/203.1–203.8, 204–216, 217–222,
D14/223, 225–229, 496; D25/119

CPC H04R 1/02; H04R 1/021; H04R 1/023;
H04R 5/00; H04R 9/06; H04R 2420/07

See application file for complete search history.

FIG. 1 is a front perspective view of a sound bar showing our new design;

FIG. 2 is a front view thereof;

FIG. 3 is a rear view thereof;

FIG. 4 is a left-side view thereof;

FIG. 5 is a right-side view thereof;

FIG. 6 is a top view thereof;

FIG. 7 is a bottom view thereof;

FIG. 8 is an enlarged view of the encircled portion in FIG. 1; and,

FIG. 9 is an enlarged view of the encircled portion in FIG. 1.

The evenly-dashed broken lines in the figures depict portions of the sound bar which form no part of the claimed design.

The dot-dash broken lines encircling portions of the claimed design that are illustrated in enlargements form no part of the claimed design.

(56) **References Cited**

U.S. PATENT DOCUMENTS

D256,620 S * 8/1980 Madsen D25/119

D688,231 S 8/2013 Nishii

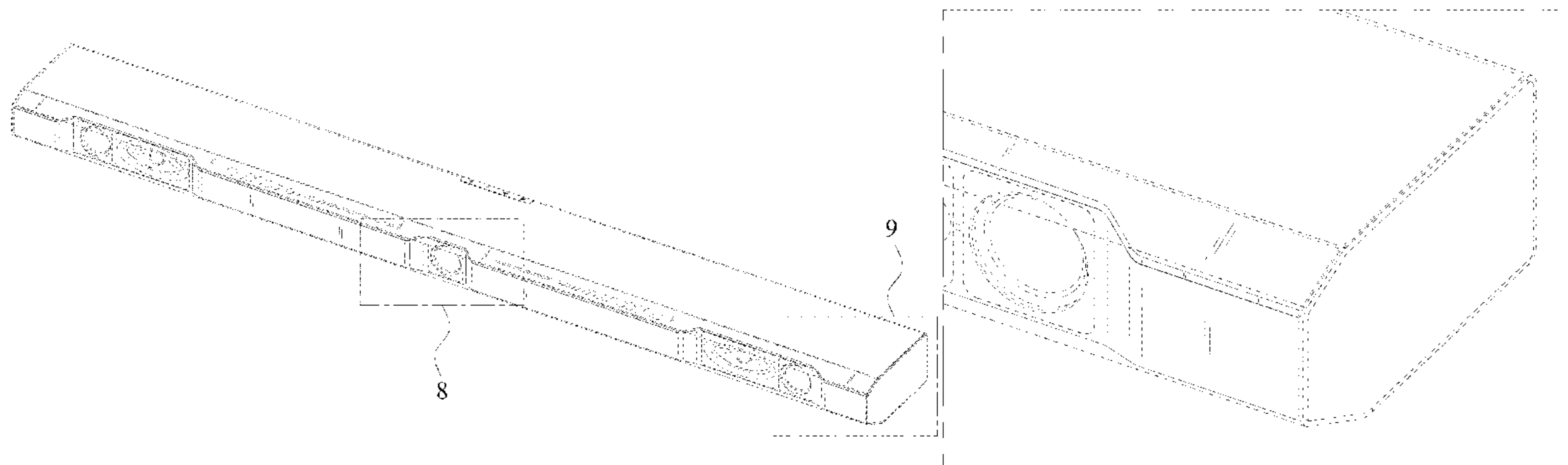
D707,855 S * 6/2014 McCallum D25/119

D720,867 S * 1/2015 Agyin D25/119

D732,700 S * 6/2015 Bill D25/119

(Continued)

1 Claim, 9 Drawing Sheets



(56)

References Cited

U.S. PATENT DOCUMENTS

D732,701 S * 6/2015 Griffiths D25/119
D743,642 S * 11/2015 Lee D32/3
D753,629 S * 4/2016 Plattard D14/214
D760,685 S 7/2016 Sugiura
D800,693 S * 10/2017 Sugiura D14/214
D818,455 S * 5/2018 McManigal D14/214
D831,001 S * 10/2018 Sugiura D14/214
D848,972 S * 5/2019 Aikawa D14/204

FOREIGN PATENT DOCUMENTS

KR 30-2014-0063824 8/2015
WO WOD206973-006 * 8/2020

OTHER PUBLICATIONS

Samsung HW-Q70T Soundbar Review, Aug. 4, 2020, [retrieved
May 21, 2021], Retrieved from Internet, URL: <<https://www.rtings.com/soundbar/reviews/samsung/hw-q70t>> (Year: 2020).*

* cited by examiner

FIG. 1

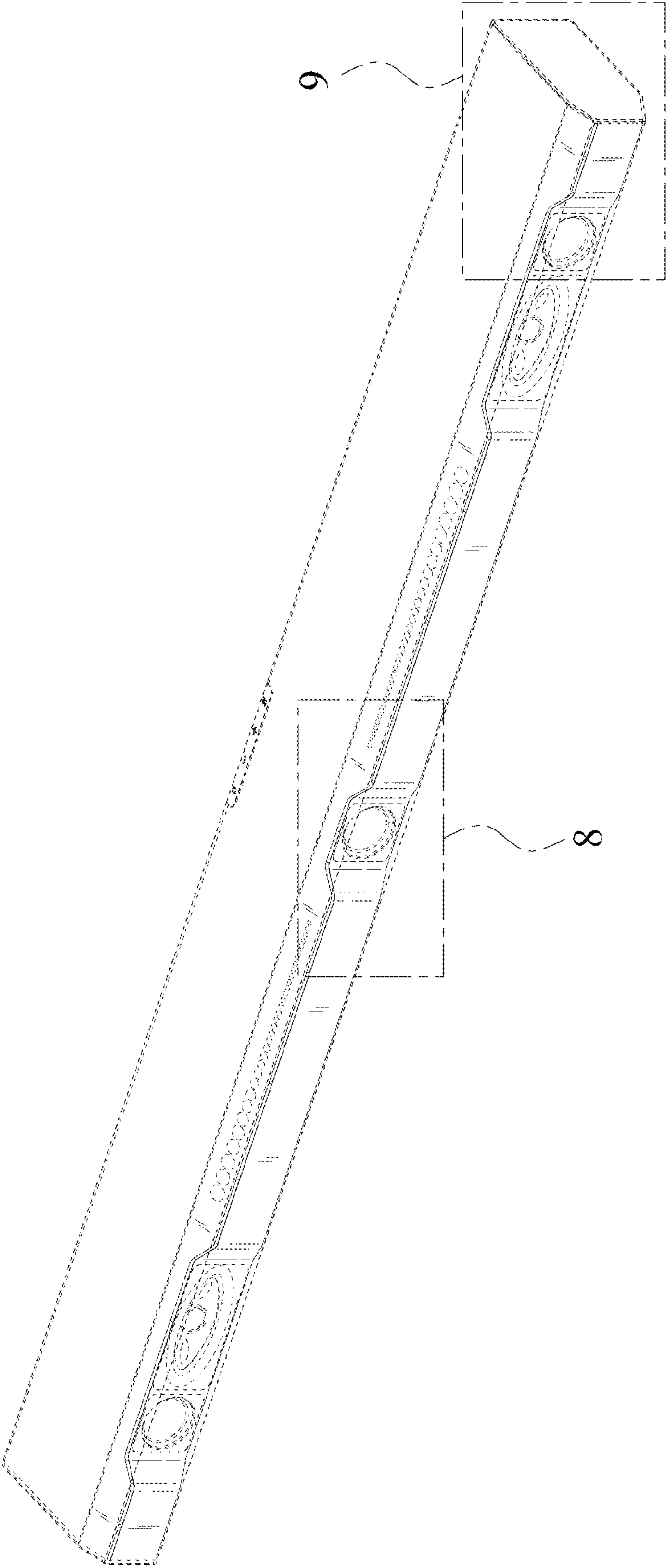


FIG. 2

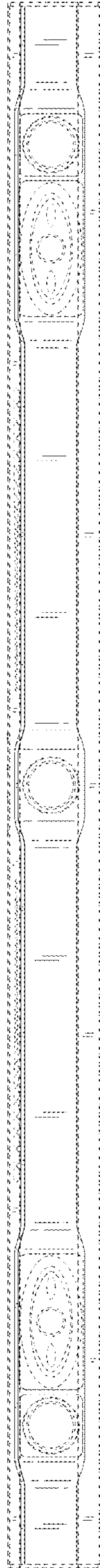


FIG. 3

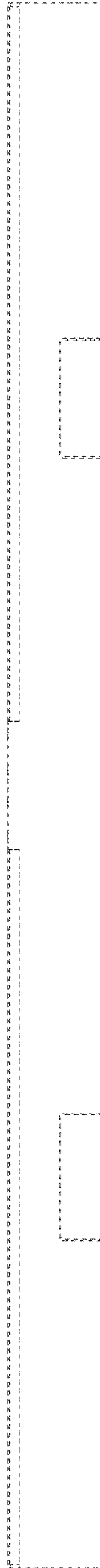


FIG. 4

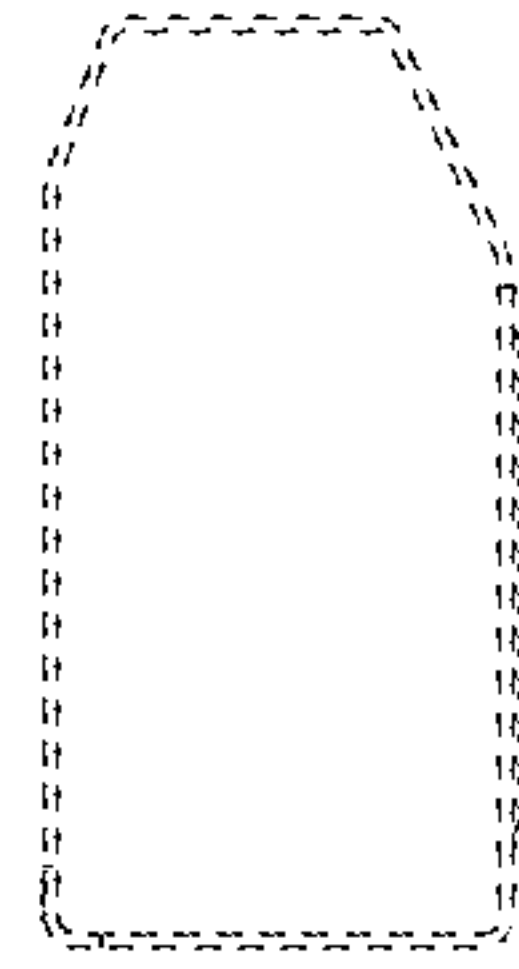


FIG. 5

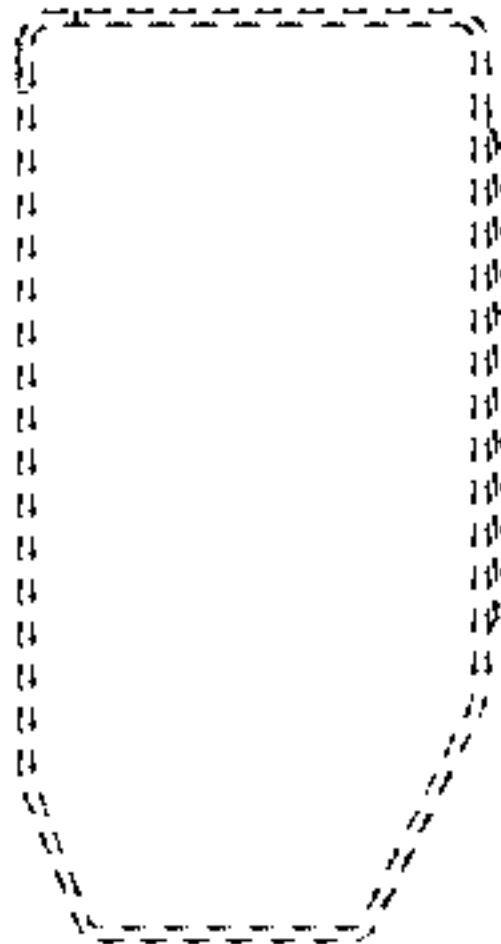


FIG. 6

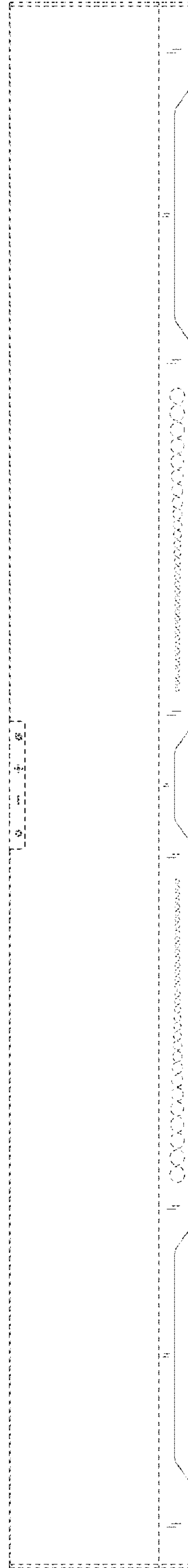


FIG. 7

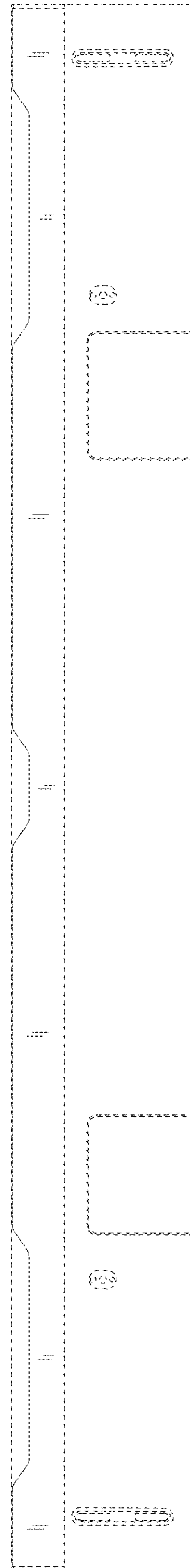


FIG. 8

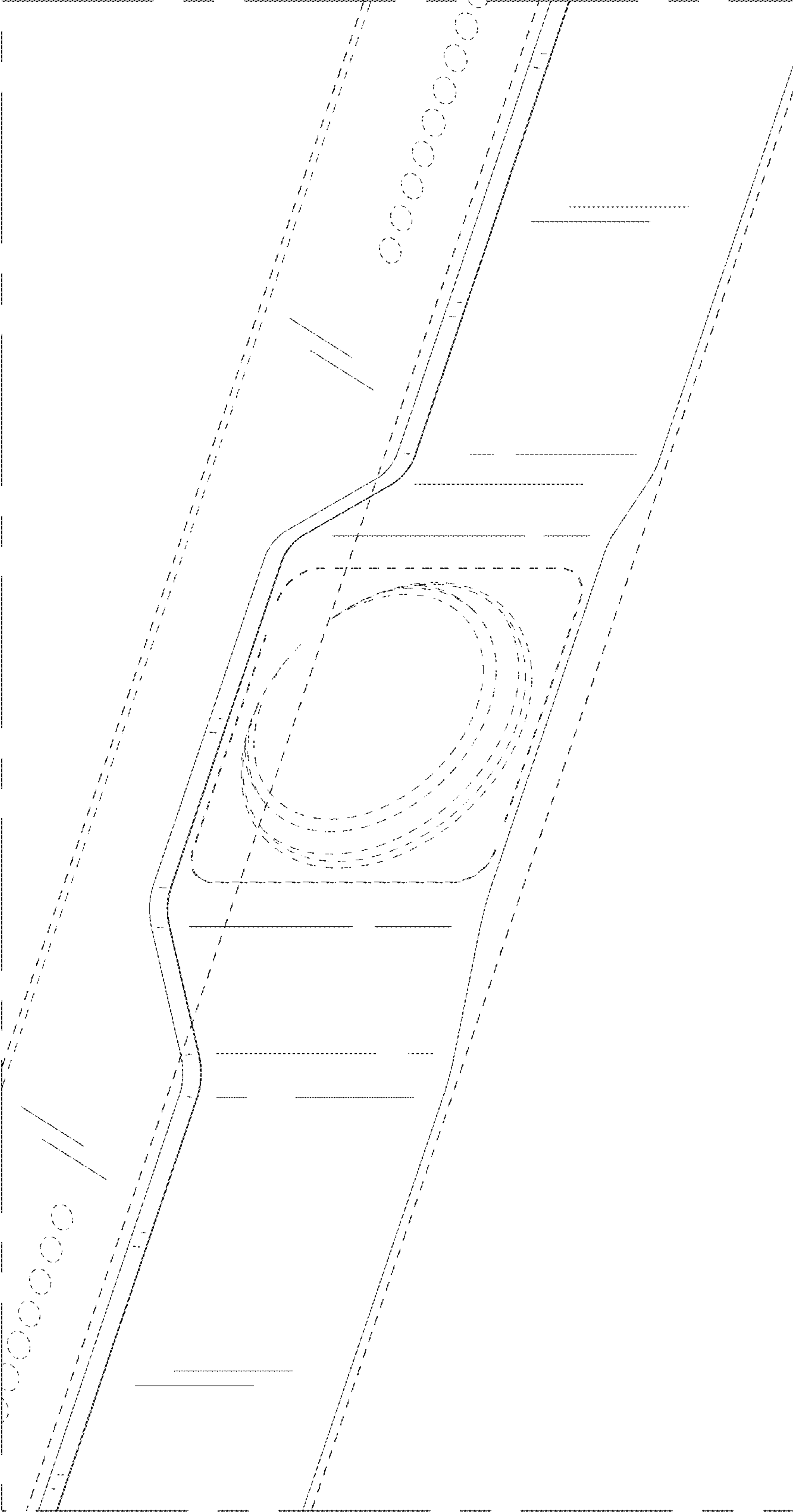


FIG. 9

