



US00D931831S

(12) **United States Design Patent**
Liu

(10) **Patent No.:** **US D931,831 S**

(45) **Date of Patent:** **** Sep. 28, 2021**

(54) **HEADSET**

(71) Applicant: **Hanbing Liu**, Dongguan (CN)

(72) Inventor: **Hanbing Liu**, Dongguan (CN)

(**) Term: **15 Years**

(21) Appl. No.: **29/718,263**

(22) Filed: **Dec. 23, 2019**

(51) **LOC (13) Cl.** **14-01**

(52) **U.S. Cl.**
USPC **D14/206**; D14/226

(58) **Field of Classification Search**
USPC D14/206, 205, 225, 188, 192, 226, 372;
D29/112; 2/209; 381/380, 381, 370,
381/374; 455/90.3, 575.1, 569.1
CPC H04R 25/00; H04R 25/02; H04R 1/1066;
H04R 1/1016; H04R 5/033; H04R
5/0335; H04R 19/04; H04R 11/04; H04R
1/1008; H04R 1/1041; G02B 27/017;
G09G 5/00
See application file for complete search history.

(56) **References Cited**

U.S. PATENT DOCUMENTS

D255,569 S *	6/1980	Lung	D14/168
D299,337 S *	1/1989	Wiegel	D14/206
D317,767 S *	6/1991	Banks	D14/205
D326,855 S *	6/1992	Bose	D14/205
D333,137 S *	2/1993	Burke	D14/206
5,185,807 A *	2/1993	Bergin	H04R 1/1066 181/128
D345,981 S *	4/1994	Burke	D14/206
D418,509 S *	1/2000	Zeitman	D14/192
D430,140 S *	8/2000	Roman	D14/205
D442,340 S *	5/2001	Leight	D29/112
6,295,366 B1 *	9/2001	Haller	H04R 5/0335 379/430
D458,597 S *	6/2002	Davies	D14/206
D484,485 S *	12/2003	Matsuoka	D14/205

7,114,823 B2 *	10/2006	McCullough	F21V 33/0056 362/105
D542,774 S *	5/2007	Rausch	D14/206
D552,077 S *	10/2007	Brunner	D14/205
D576,604 S *	9/2008	Suzuki	D14/205
D613,266 S *	4/2010	Barry	D14/205
D632,668 S *	2/2011	Brunner	D14/205
D634,732 S *	3/2011	Kondo	D14/205
D638,397 S *	5/2011	McManigal	D14/205
D641,003 S *	7/2011	Alden	D14/205
D641,725 S *	7/2011	Chong	D14/205
D649,528 S *	11/2011	Park	D14/205
D651,586 S *	1/2012	Lee	D14/205
D652,406 S *	1/2012	Lee	D14/205
D656,480 S *	3/2012	McManigal	D14/205

(Continued)

FOREIGN PATENT DOCUMENTS

CN	306078497	*	9/2020
CN	306161875	*	11/2020
CN	306487430	*	4/2021

Primary Examiner — Paula Allen Greene

(74) *Attorney, Agent, or Firm* — Runit Ranjit Kanakia

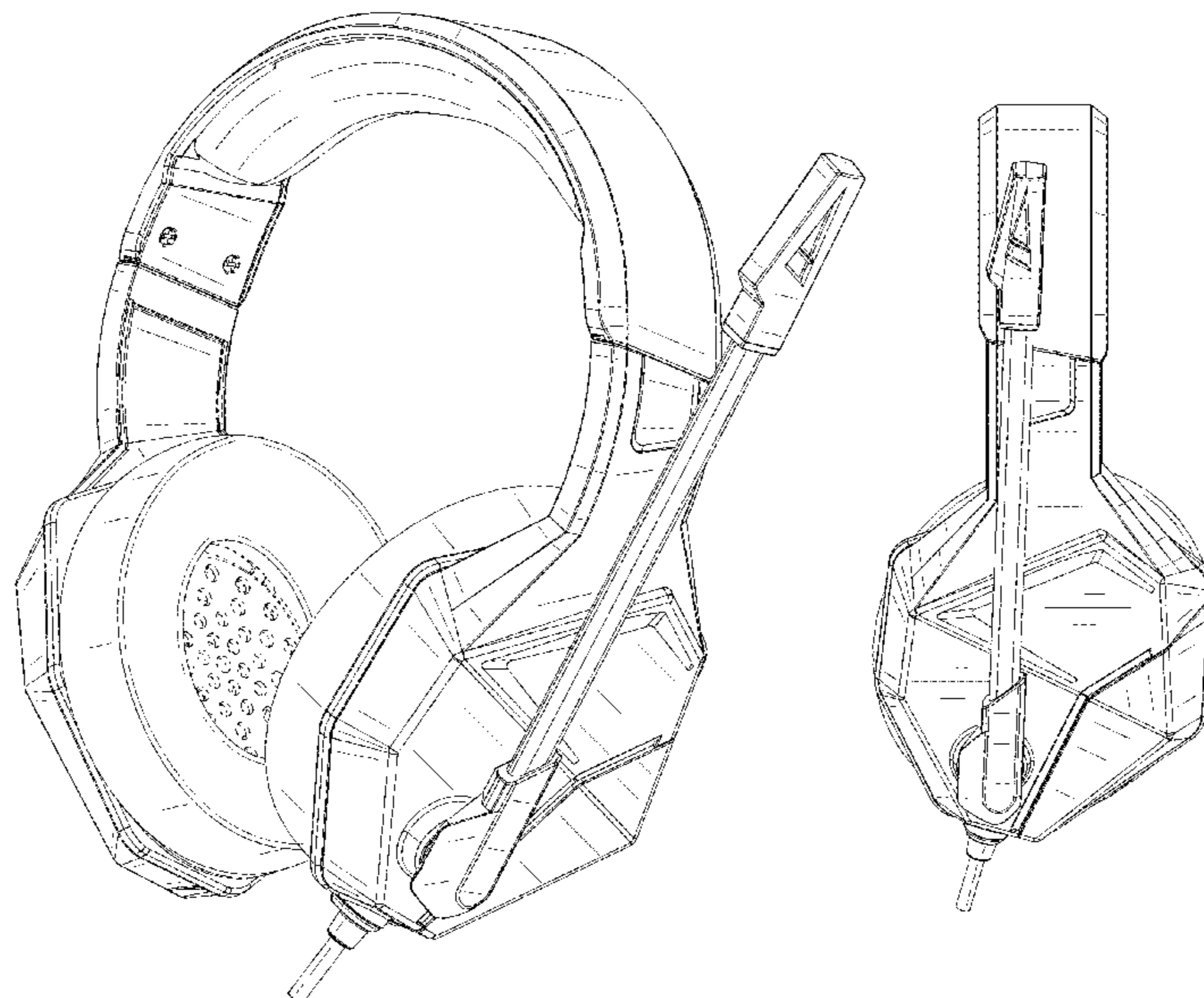
(57) **CLAIM**

I claim the ornamental design for a headset, as shown and described.

DESCRIPTION

FIG. 1 is a Perspective view of a headset showing my new design;
FIG. 2 is a front view thereof;
FIG. 3 is a back view thereof;
FIG. 4 is a right-side view thereof;
FIG. 5 is a left-side thereof;
FIG. 6 is a top view thereof; and,
FIG. 7 is a bottom view thereof.
The broken lines are only for environmental purposes and form no part of the claimed design.

1 Claim, 7 Drawing Sheets



(56)

References Cited

U.S. PATENT DOCUMENTS

8,139,807 B2 *	3/2012	Reiss	H04R 1/1058				
				381/375				
D659,672 S *	5/2012	Lee	D14/205				
D672,744 S *	12/2012	Scarpa	D14/205				
D672,745 S *	12/2012	Abed	D14/205				
D684,949 S *	6/2013	Lee	D14/205				
D687,409 S *	8/2013	Lee	D14/205				
D689,464 S *	9/2013	Bonahoom	D14/206				
D691,111 S *	10/2013	Lee	D14/206				
8,559,665 B2 *	10/2013	Schmidt	H04R 1/1066				
				381/374				
D693,327 S *	11/2013	Chiu	D14/206				
D697,896 S *	1/2014	Lee	D14/205				
D699,216 S *	2/2014	Bonahoom	D14/205				
D716,762 S *	11/2014	Greve	D14/206				
D733,677 S *	7/2015	Ling	D14/206				
D734,736 S *	7/2015	Jin	D14/206				
D745,860 S *	12/2015	Logan	D14/206				
D746,793 S *	1/2016	Logan	D14/206				
D824,362 S *	7/2018	Probst	D14/206				
D853,988 S *	7/2019	Wang	D14/206				
D856,967 S *	8/2019	Tang	D14/206				
D856,968 S *	8/2019	Tang	D14/206				
D856,969 S *	8/2019	Tang	D14/206				
D856,970 S *	8/2019	Tang	D14/206				
D856,971 S *	8/2019	Tang	D14/206				
D868,734 S *	12/2019	Wang	D14/206				
D894,869 S *	9/2020	Tang	D14/206				
D907,004 S *	1/2021	Zhou	D14/206				
D908,110 S *	1/2021	Zhou	D14/206				
D909,337 S *	2/2021	Liu	D14/206				
D916,681 S *	4/2021	He	D14/205				
2001/0017925 A1 *	8/2001	Ceravolo	H04M 1/05				
				381/370				
2010/0040252 A1 *	2/2010	Thompson	H04R 1/083				
				381/375				
2011/0135134 A1 *	6/2011	Essabar	H04R 1/105				
				381/374				
2011/0194721 A1 *	8/2011	Schmidt	H04M 1/05				
				381/370				

* cited by examiner



FIG. 1

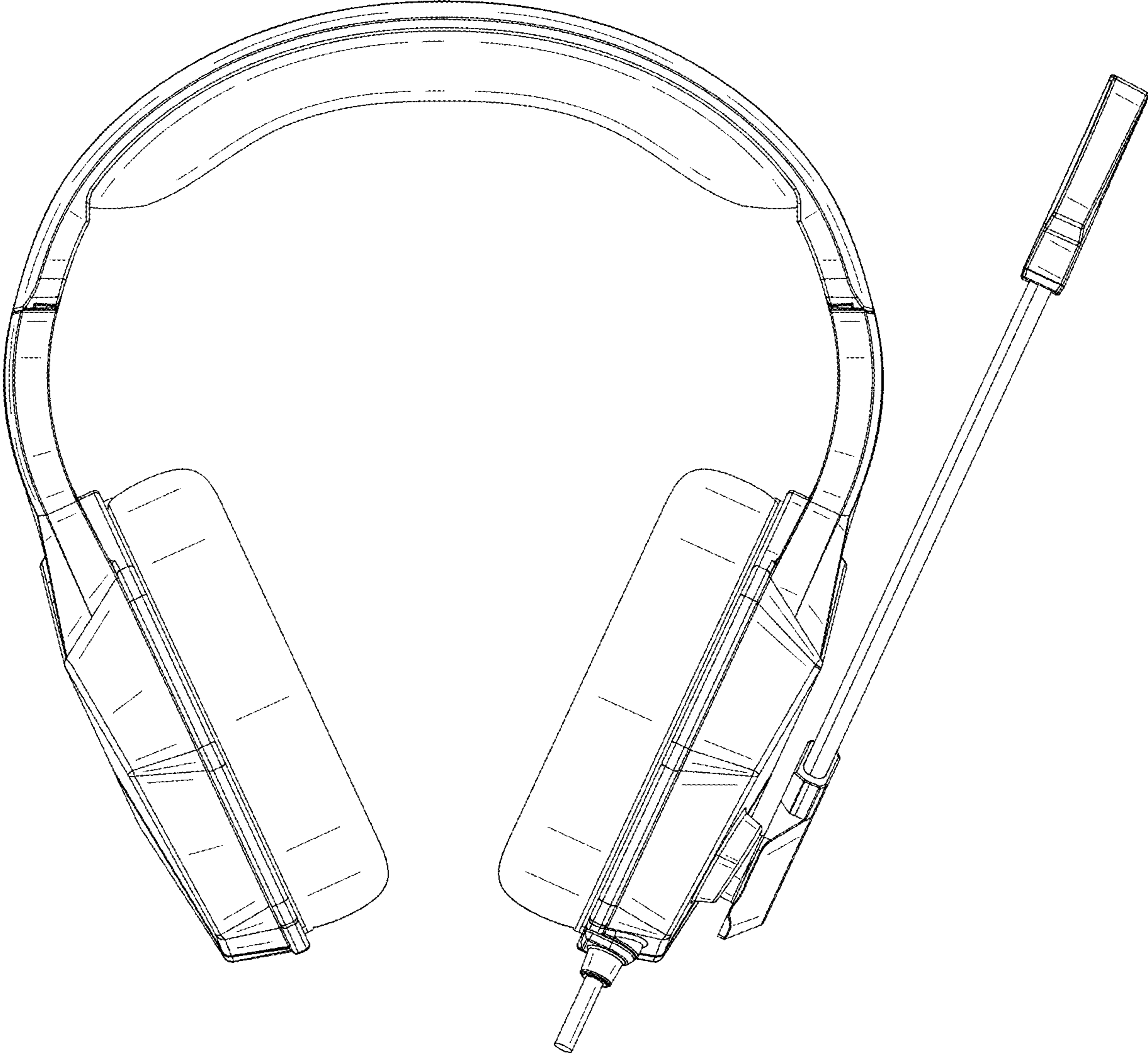


FIG. 2

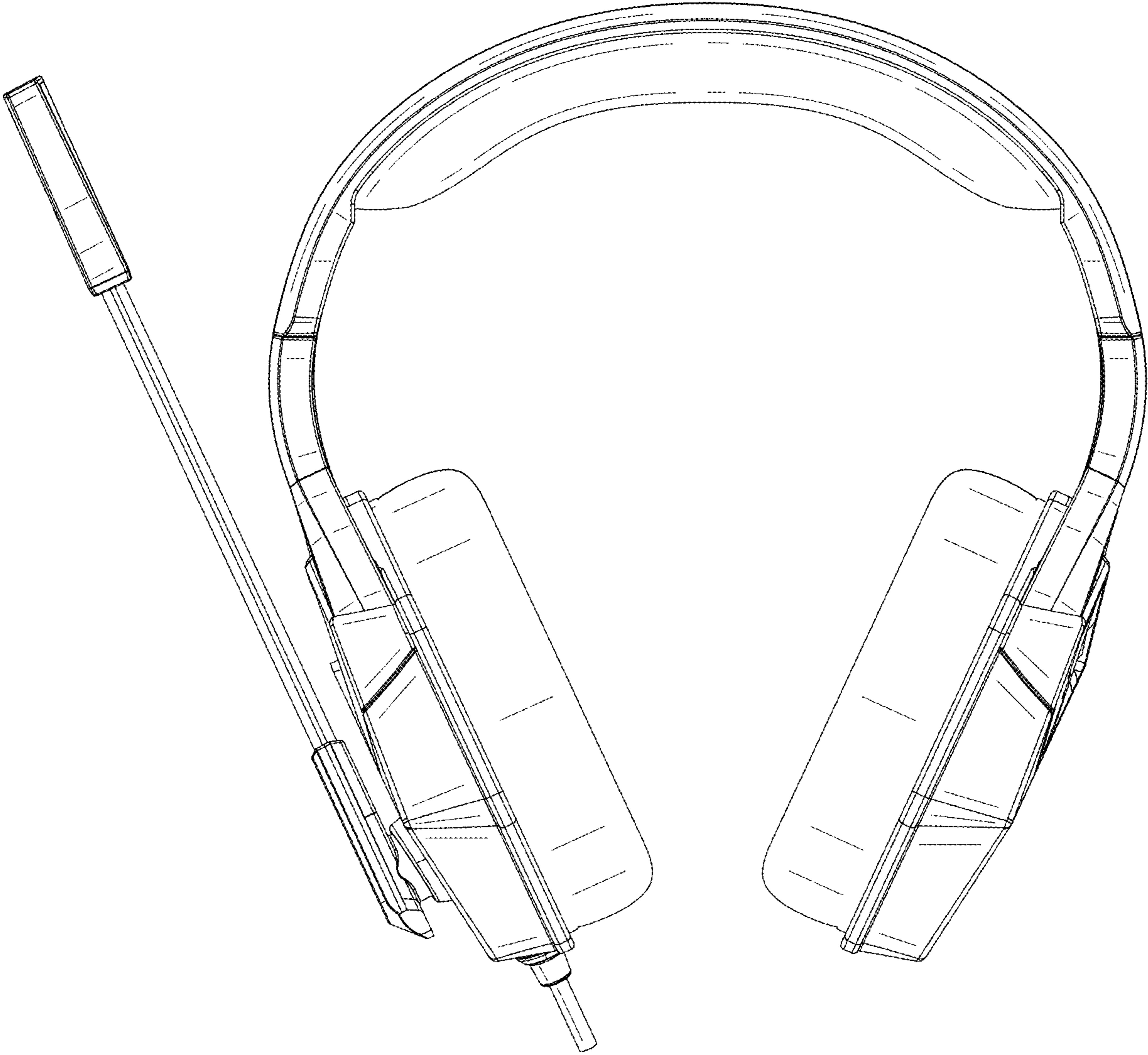


FIG. 3

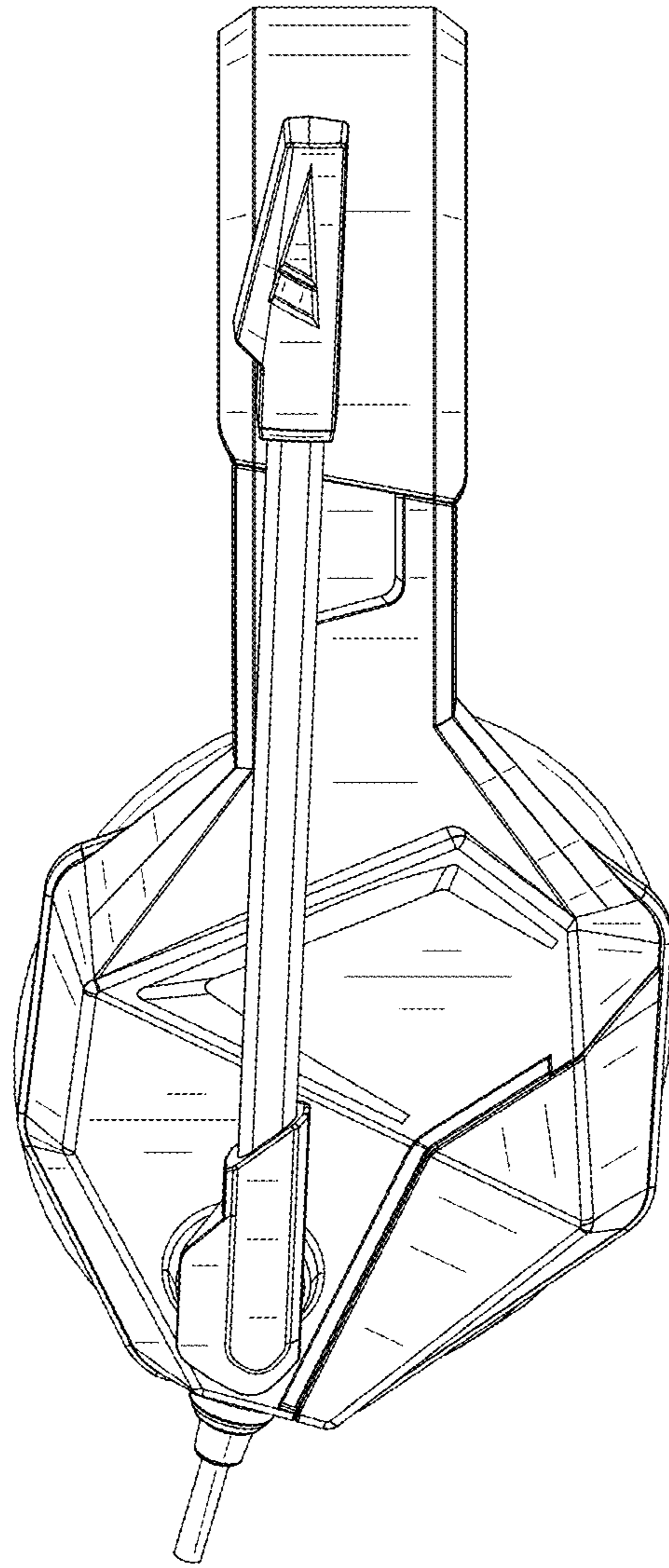


FIG. 4

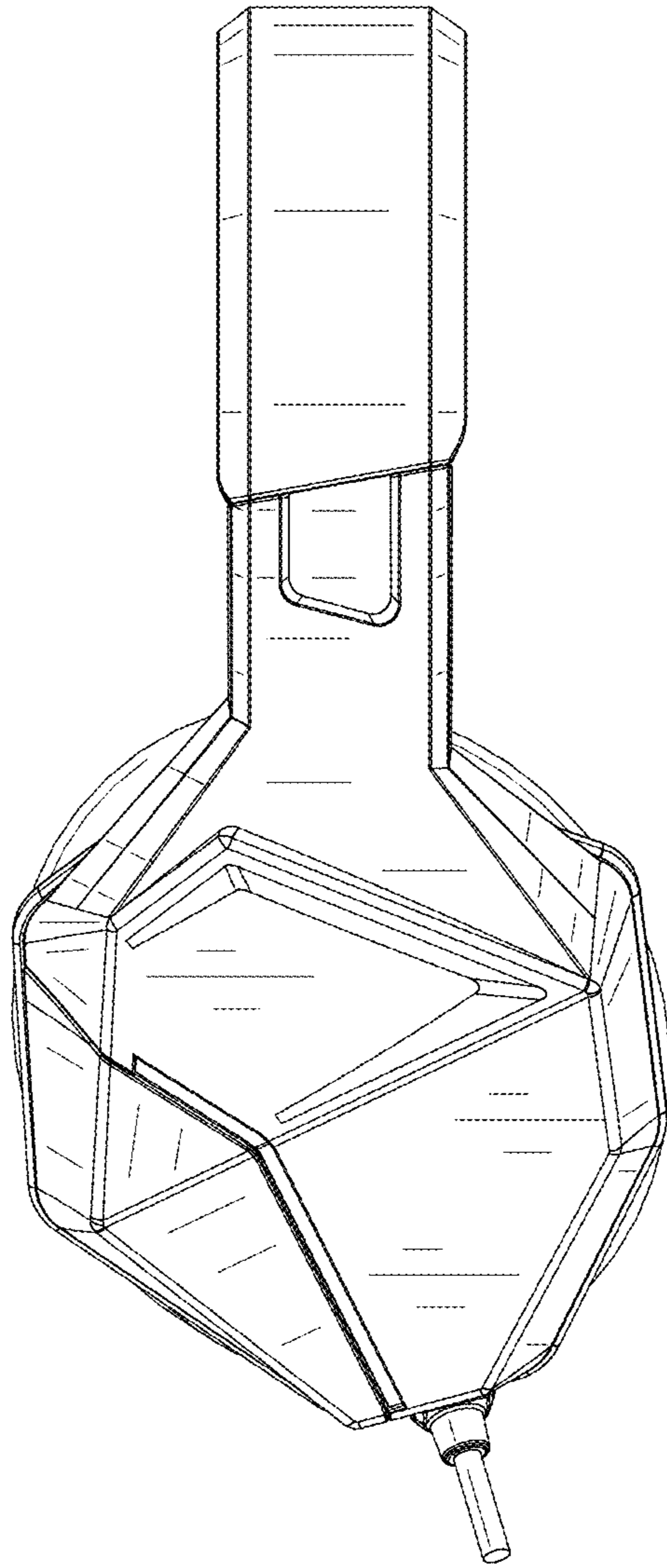


FIG. 5

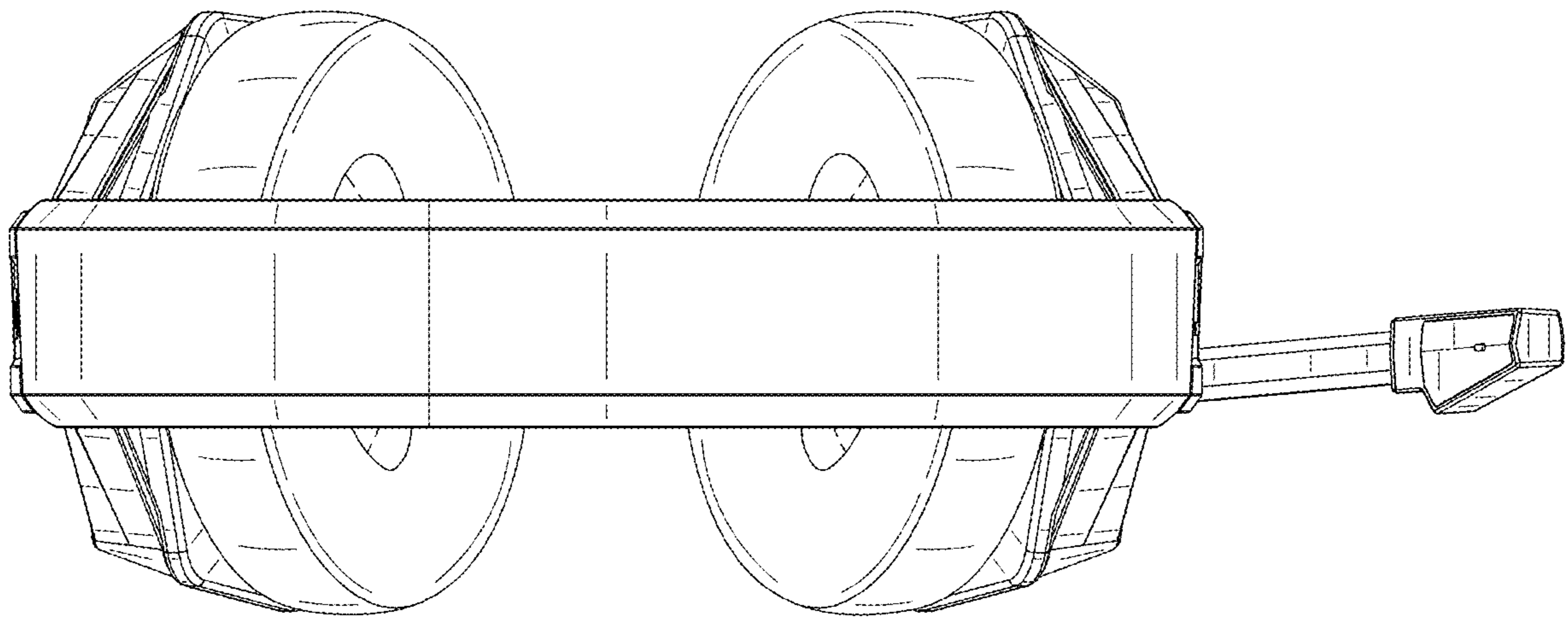


FIG. 6

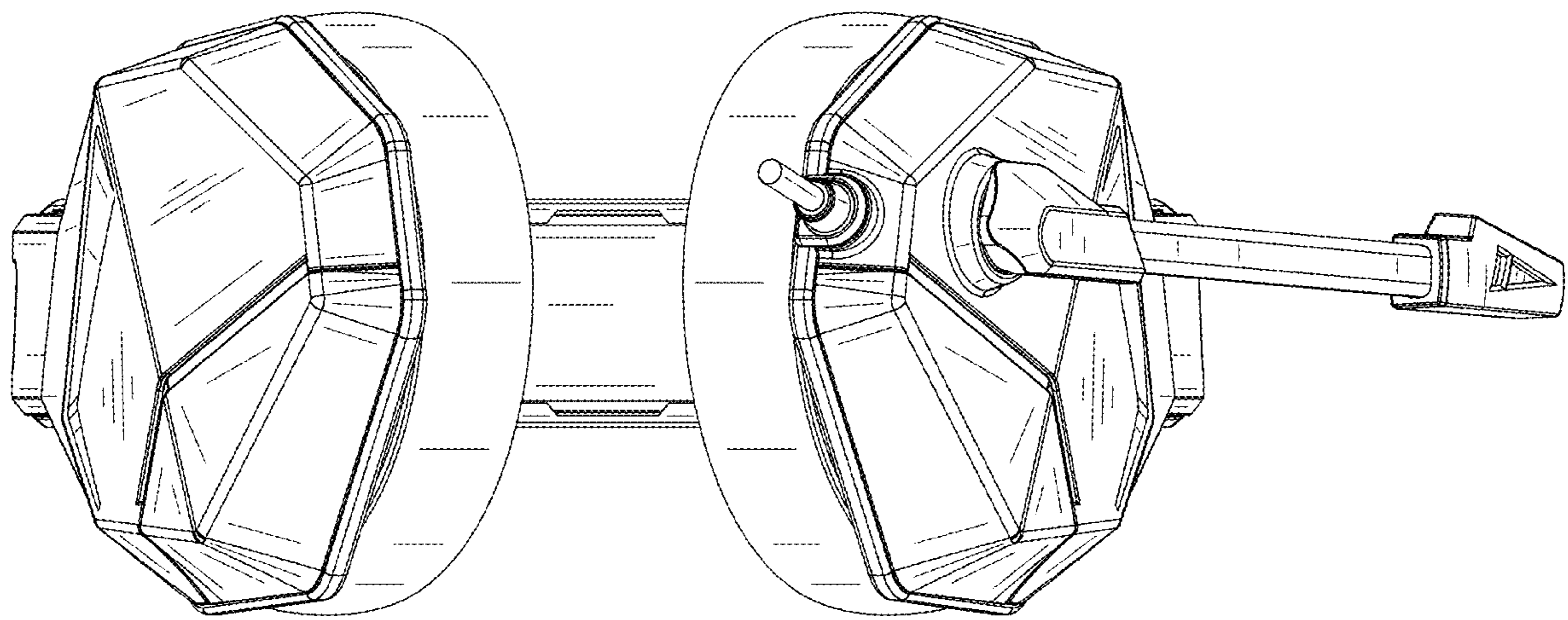


FIG. 7