



US00D931827S

(12) **United States Design Patent**  
**Huang**

(10) **Patent No.:** **US D931,827 S**

(45) **Date of Patent:** **\*\* Sep. 28, 2021**

- (54) **SOUND AMPLIFIER**
- (71) Applicant: **SHANGHAI NORWII TECHNOLOGY CO., LTD.**, Shanghai (CN)
- (72) Inventor: **Yongyan Huang**, Shanghai (CN)
- (73) Assignee: **SHANGHAI NORWII TECHNOLOGY CO., LTD.**, Shanghai (CN)

D817,306	S	*	5/2018	Jang	.....	D14/214
D817,925	S	*	5/2018	Jang	.....	D14/214
D841,622	S	*	2/2019	Cheney	.....	D14/210
D889,430	S	*	7/2020	Teruzzi	.....	D14/204
D893,445	S	*	8/2020	Wall	.....	D14/188
D894,161	S	*	8/2020	Ye	.....	D14/225
D923,603	S	*	6/2021	Ming	.....	D14/214
D924,834	S	*	7/2021	DeLuna	.....	D14/204
D926,728	S	*	8/2021	He	.....	D14/214

(\*\*) Term: **15 Years**

(21) Appl. No.: **29/690,713**

(22) Filed: **May 9, 2019**

(51) **LOC (13) Cl.** ..... **14-03**

(52) **U.S. Cl.**  
USPC ..... **D14/192**; D14/194; D14/197; D14/214

(58) **Field of Classification Search**  
USPC ..... D14/167, 168, 170–172, 188, 194–196, D14/204, 209.1, 210–216, 219, 221, 222, D14/224, 239, 496, 191, 192, 197, 206, D14/225, 226

CPC ..... B60R 11/0217; G06F 1/1688; G10K 9/22; G10K 11/004; H03F 1/327; H04M 1/03; H04M 1/035; H04N 5/642; H04N 21/4852; H04R 1/02; H04R 1/06; H04R 1/021; H04R 1/025; H04R 1/026; H04R 1/028; H04R 1/105; H04R 1/323; H04R 1/403; H04R 1/2803; H04R 1/2834; H04R 5/02; H04R 7/20; H04R 9/06; H04R 9/025; H04R 2201/021; H04R 2400/00; H04R 2400/07; H04R 2499/11; H04R 2499/13; H04R 2499/15; H04S 3/00; H04S 7/30

See application file for complete search history.

(56) **References Cited**

**U.S. PATENT DOCUMENTS**

D587,244	S	*	2/2009	Lim	.....	D14/214
D798,838	S	*	10/2017	DiTullo	.....	D14/214

**OTHER PUBLICATIONS**

Amazon.com; SHIDU; 'SHIDU Personal Voice Amplifier . . .'; [online] 'https://www.amazon.com/dp/b07g5clwc'; dated Jan. 7, 2017; accessed Oct. 19, 2020; 6pgs. (Year: 2017).\*

\* cited by examiner

*Primary Examiner* — Keli L Hill

(57) **CLAIM**

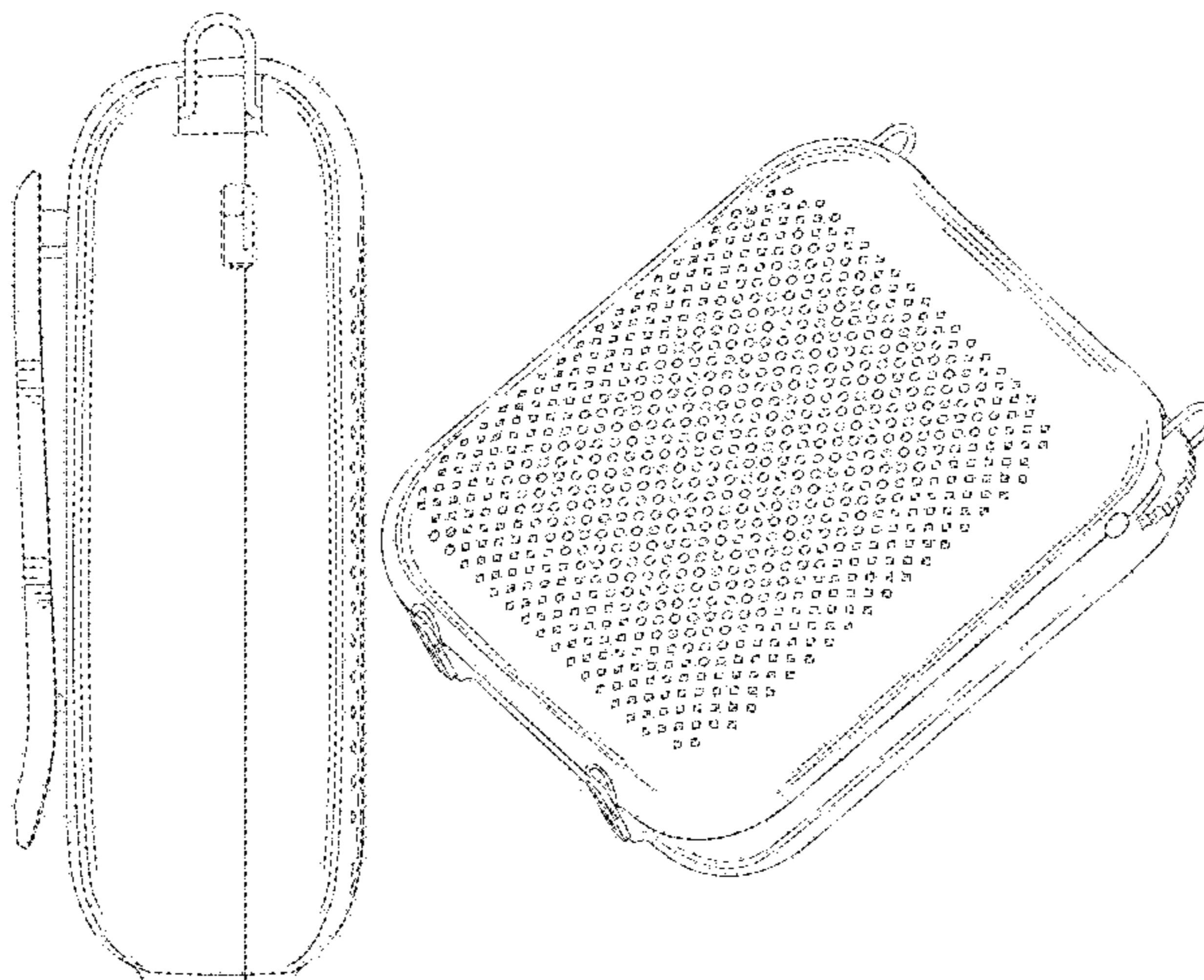
The ornamental design for a sound amplifier, as shown and described.

**DESCRIPTION**

FIG. 1 is a front view of a sound amplifier, showing our new design;  
 FIG. 2 is a rear view thereof;  
 FIG. 3 is a left side view thereof;  
 FIG. 4 is a right side view thereof;  
 FIG. 5 is a top view thereof;  
 FIG. 6 is a bottom view thereof;  
 FIG. 7 is a perspective view thereof; and,  
 FIG. 8 is another perspective view thereof.

The interior structure behind the speaker grill forms no part of the claimed design and is not seeking to be protected. All of the broken lines shown in the drawings represent unclaimed portions of the sound amplifier and form no part of the claimed design.

**1 Claim, 8 Drawing Sheets**



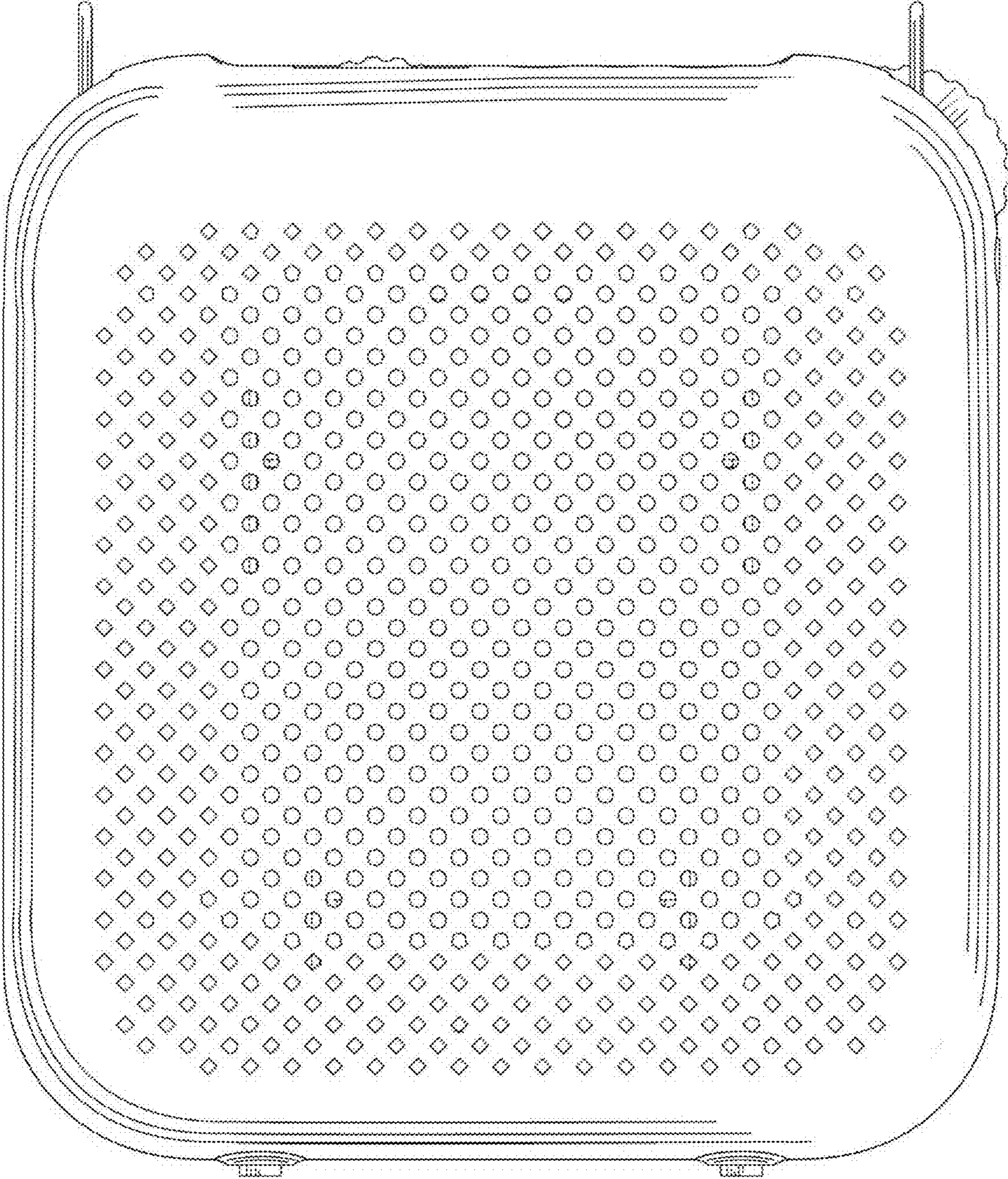


FIG. 1

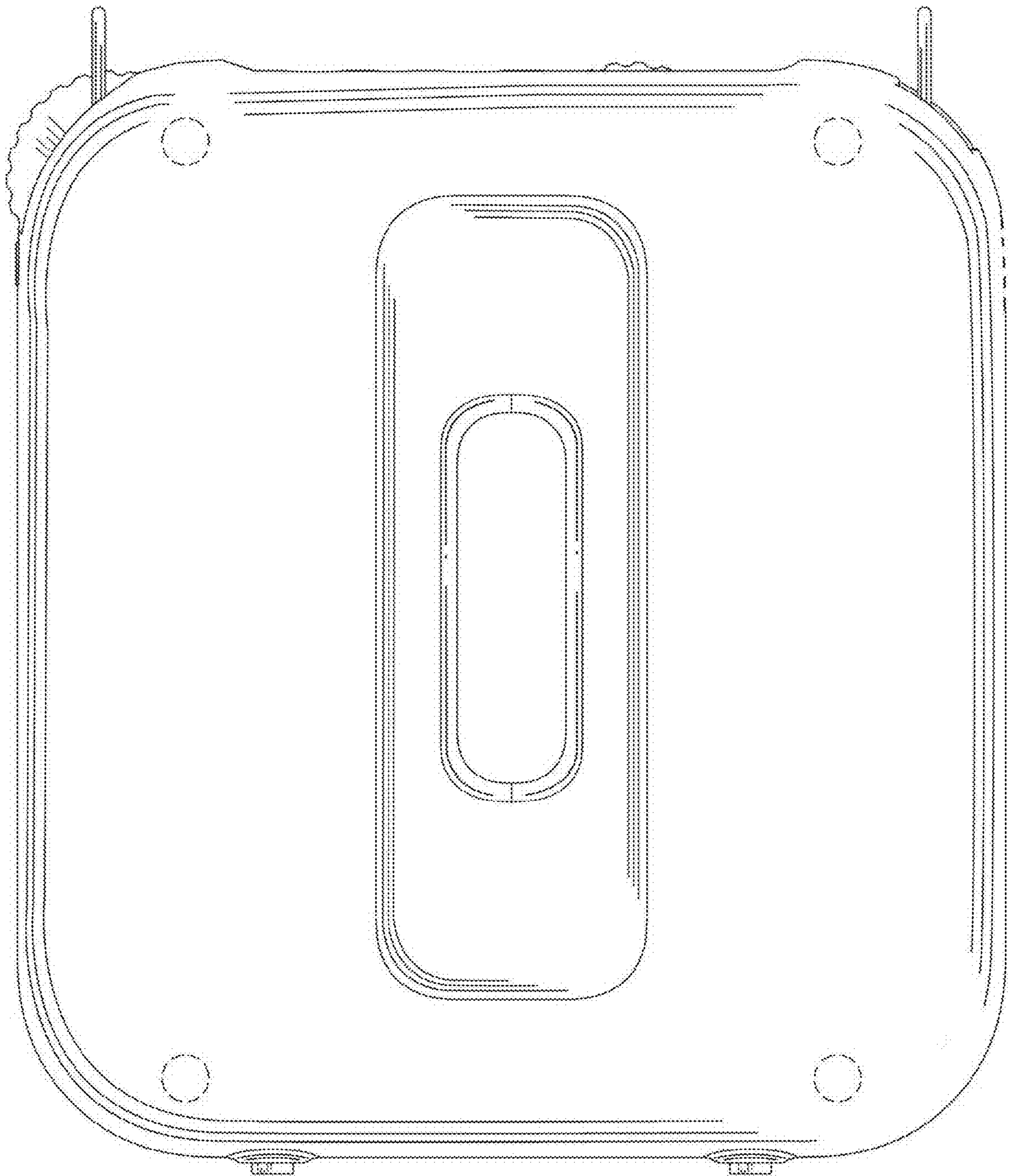


FIG. 2

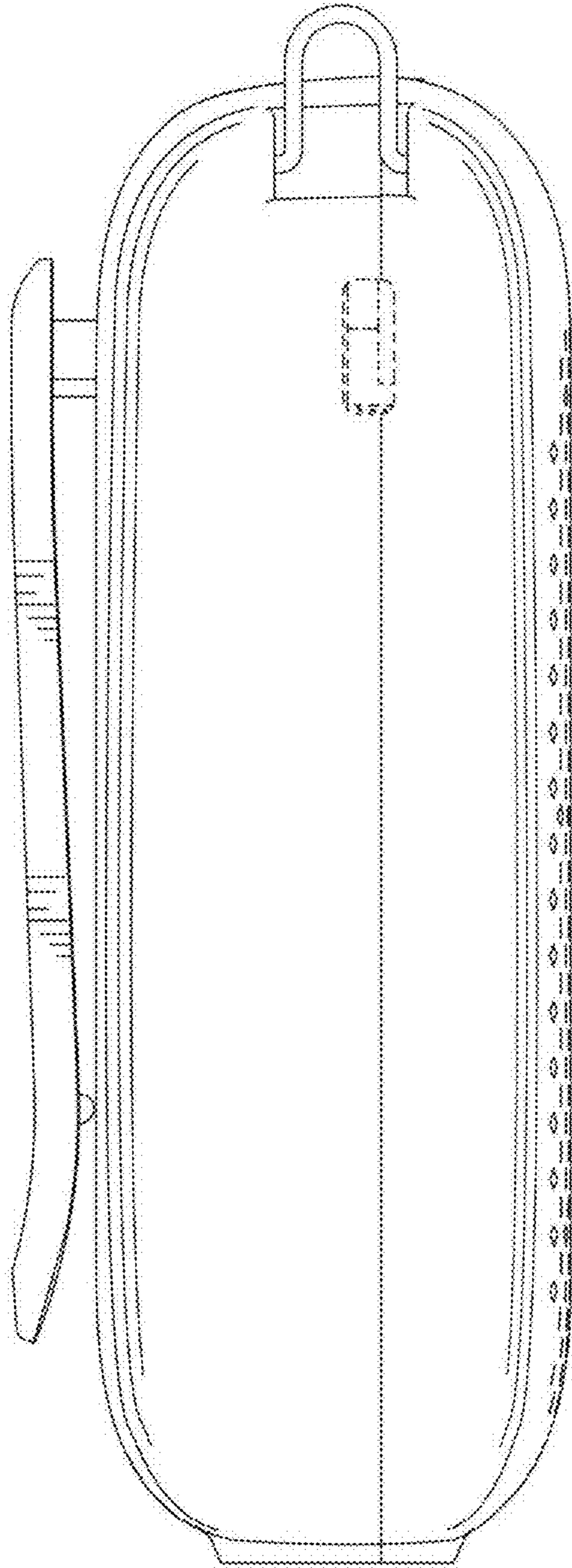


FIG. 3

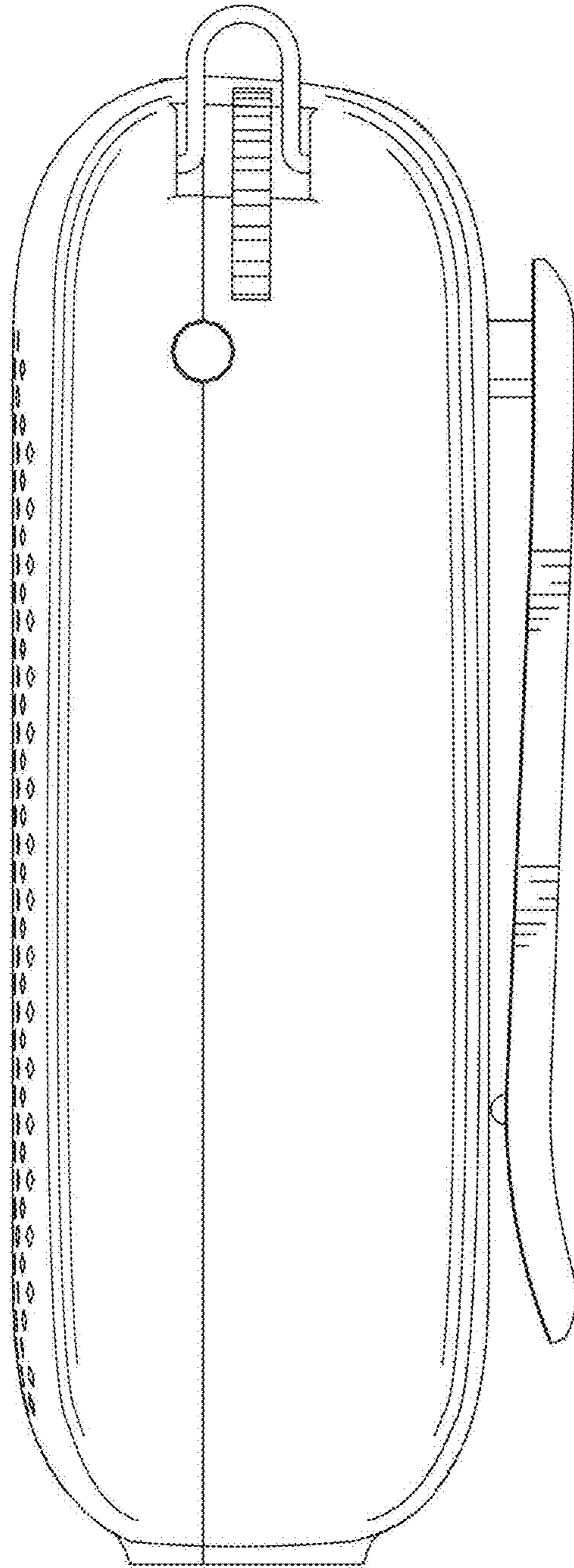


FIG. 4

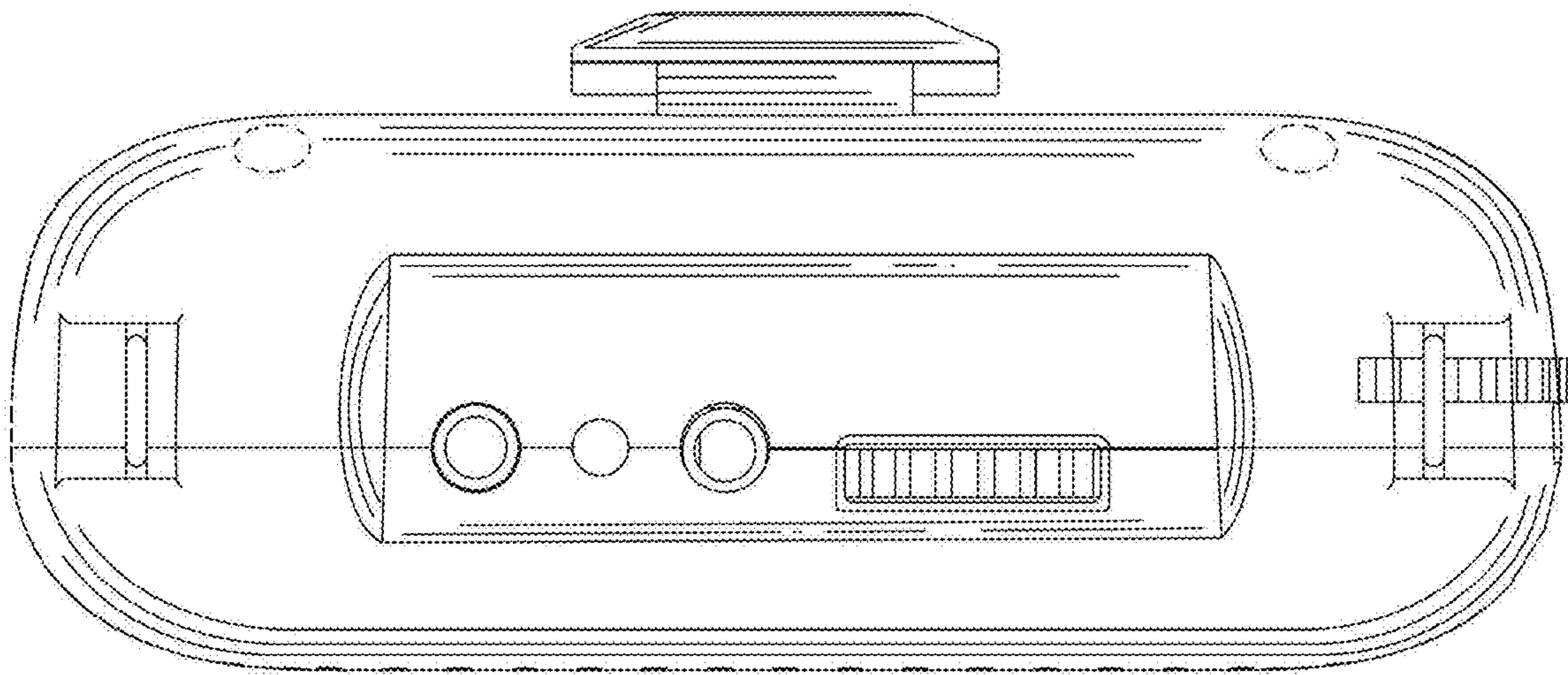


FIG. 5

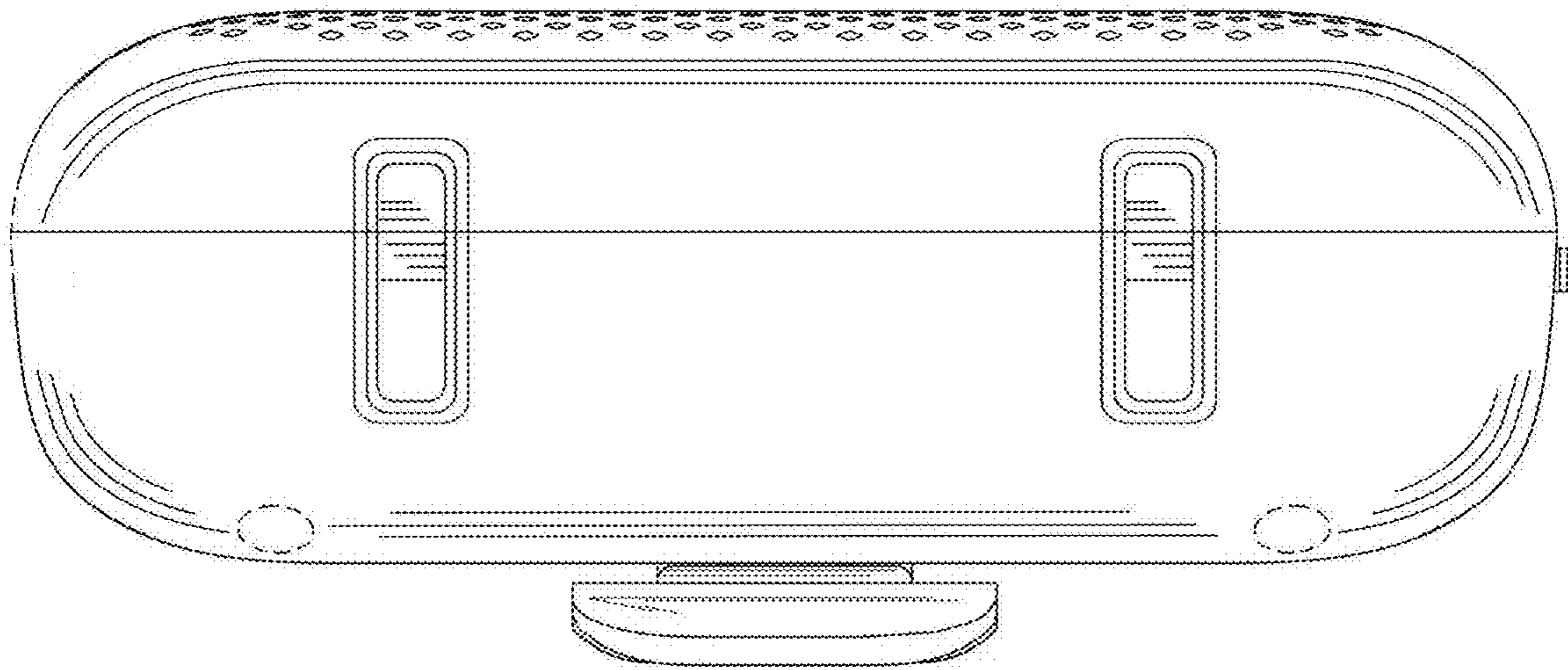


FIG. 6



FIG. 7



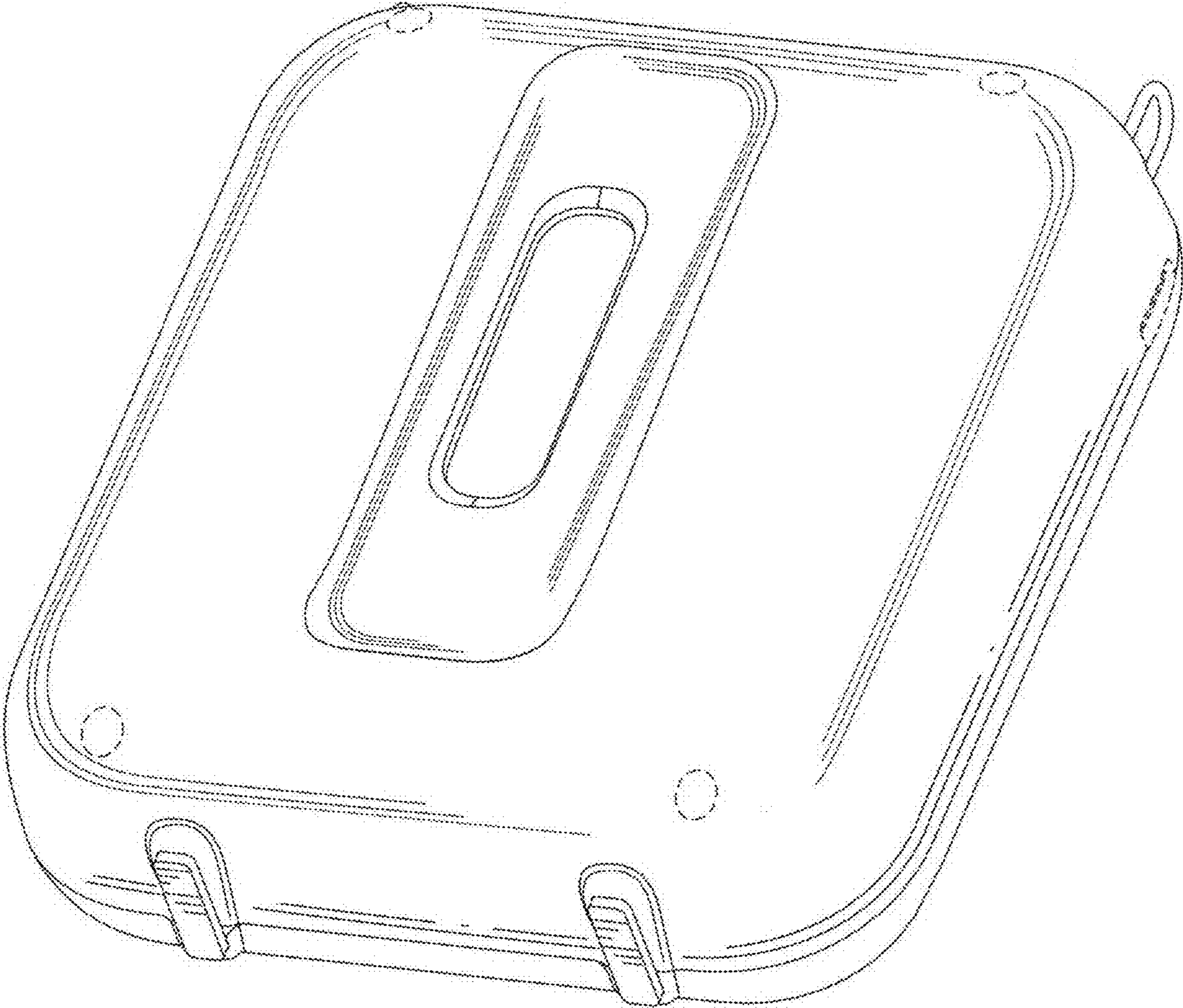


FIG. 8