



US00D931826S

(12) **United States Design Patent** (10) **Patent No.:** **US D931,826 S**
Huang (45) **Date of Patent:** **** Sep. 28, 2021**

(54) **SOUND AMPLIFIER**

(71) Applicant: **SHANGHAI NORWII TECHNOLOGY CO., LTD.**, Shanghai (CN)

(72) Inventor: **Yongyan Huang**, Shanghai (CN)

(73) Assignee: **SHANGHAI NORWII TECHNOLOGY CO., LTD.**, Shanghai (CN)

(**) Term: **15 Years**

(21) Appl. No.: **29/690,712**

(22) Filed: **May 9, 2019**

(51) **LOC (13) Cl.** **14-03**

(52) **U.S. Cl.**
USPC **D14/192; D14/194; D14/197; D14/214**

(58) **Field of Classification Search**
USPC D14/167, 168, 170–172, 188, 194–196, D14/204, 209.1, 210–216, 219, 221, 222, D14/224, 239, 496, 191, 192, 197, 206, D14/225, 226

CPC B60R 11/0217; G06F 1/1688; G10K 9/22; G10K 11/004; H03F 1/327; H04M 1/03; H04M 1/035; H04N 5/642; H04N 21/4852; H04R 1/02; H04R 1/06; H04R 1/021; H04R 1/025; H04R 1/026; H04R 1/028; H04R 1/105; H04R 1/323; H04R 1/403; H04R 1/2803; H04R 1/2834; H04R 5/02; H04R 7/20; H04R 9/06; H04R 9/025; H04R 2201/021; H04R 2400/00; H04R 2400/07; H04R 2499/11; H04R 2499/13; H04R 2499/15; H04S 3/00; H04S 7/30

See application file for complete search history.

(56) **References Cited**

U.S. PATENT DOCUMENTS

D616,464 S * 5/2010 Park D14/496
D707,198 S * 6/2014 Bouzid D14/167

D792,370 S * 7/2017 Iranyi D14/191
D798,838 S * 10/2017 DiTullo D14/214
D817,306 S * 5/2018 Jang D14/214
D830,343 S * 10/2018 Fustino D14/214
D875,076 S * 2/2020 Sakata D14/215
D893,445 S * 8/2020 Wall D14/188
D894,161 S * 8/2020 Ye D14/225
D923,603 S * 6/2021 Ming D14/214
D924,834 S * 7/2021 DeLuna D14/204
D926,728 S * 8/2021 He D14/214

OTHER PUBLICATIONS

Amazon.com; SHIDU; ‘SHIDU Personal Voice Amplifier . . . ’; [online] ‘https://www.amazon.com/dp/b07g5clwc’; dated Jan. 7, 2017; accessed Oct. 19, 2020; 6pgs. (Year: 2017).*

* cited by examiner

Primary Examiner — Keli L Hill

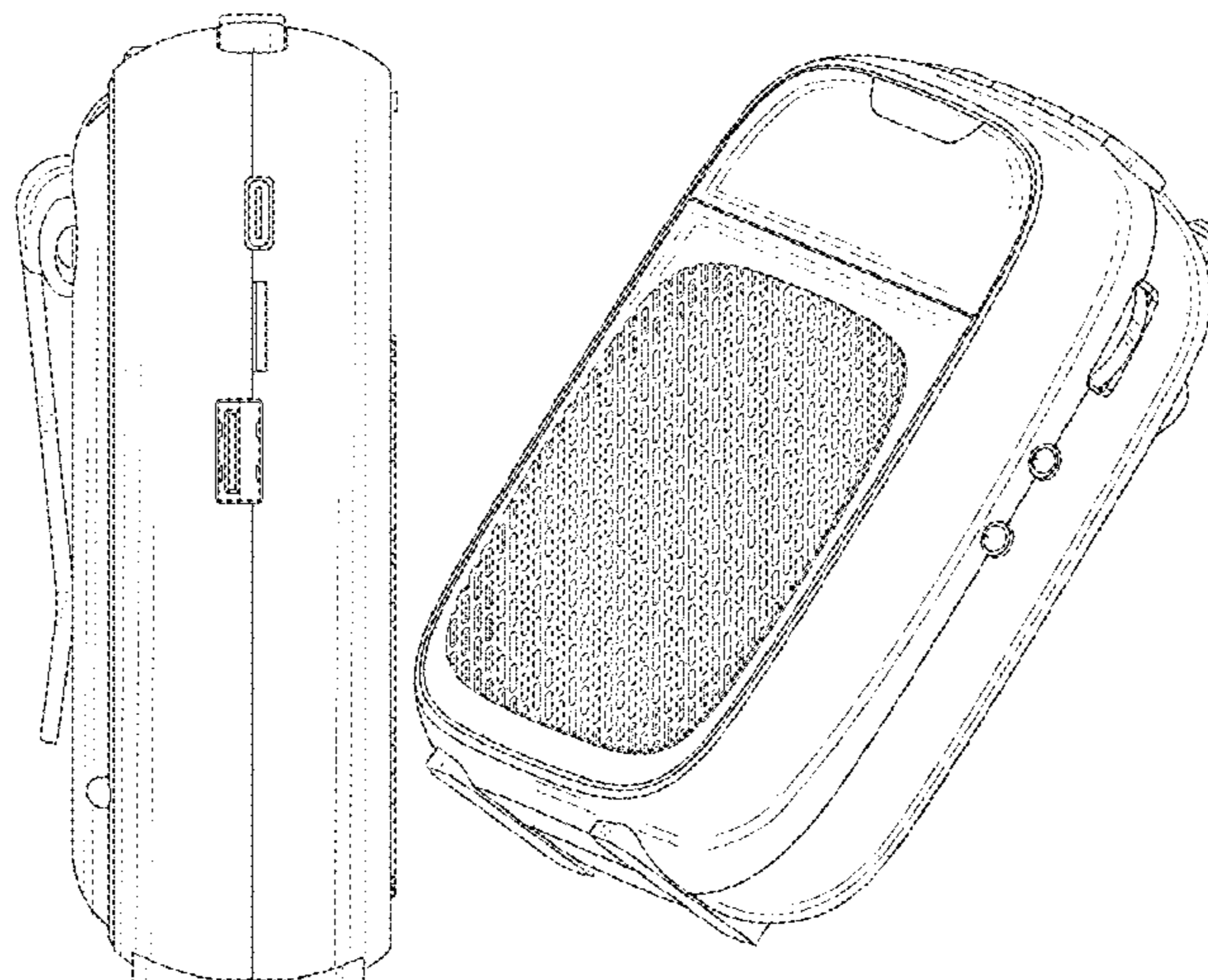
(57) **CLAIM**

The ornamental design for a sound amplifier, as shown and described.

DESCRIPTION

FIG. 1 is a front view of a sound amplifier, showing our new design;
FIG. 2 is a rear view thereof;
FIG. 3 is a left side view thereof;
FIG. 4 is a right side view thereof;
FIG. 5 is a top view thereof;
FIG. 6 is a bottom view thereof;
FIG. 7 is a perspective view thereof; and,
FIG. 8 is another perspective view thereof.
The interior structure behind the speaker grill forms no part of the claimed design and is not seeking to be protected. All of the broken lines shown in the drawings represent unclaimed portions of the sound amplifier and form no part of the claimed design.

1 Claim, 8 Drawing Sheets



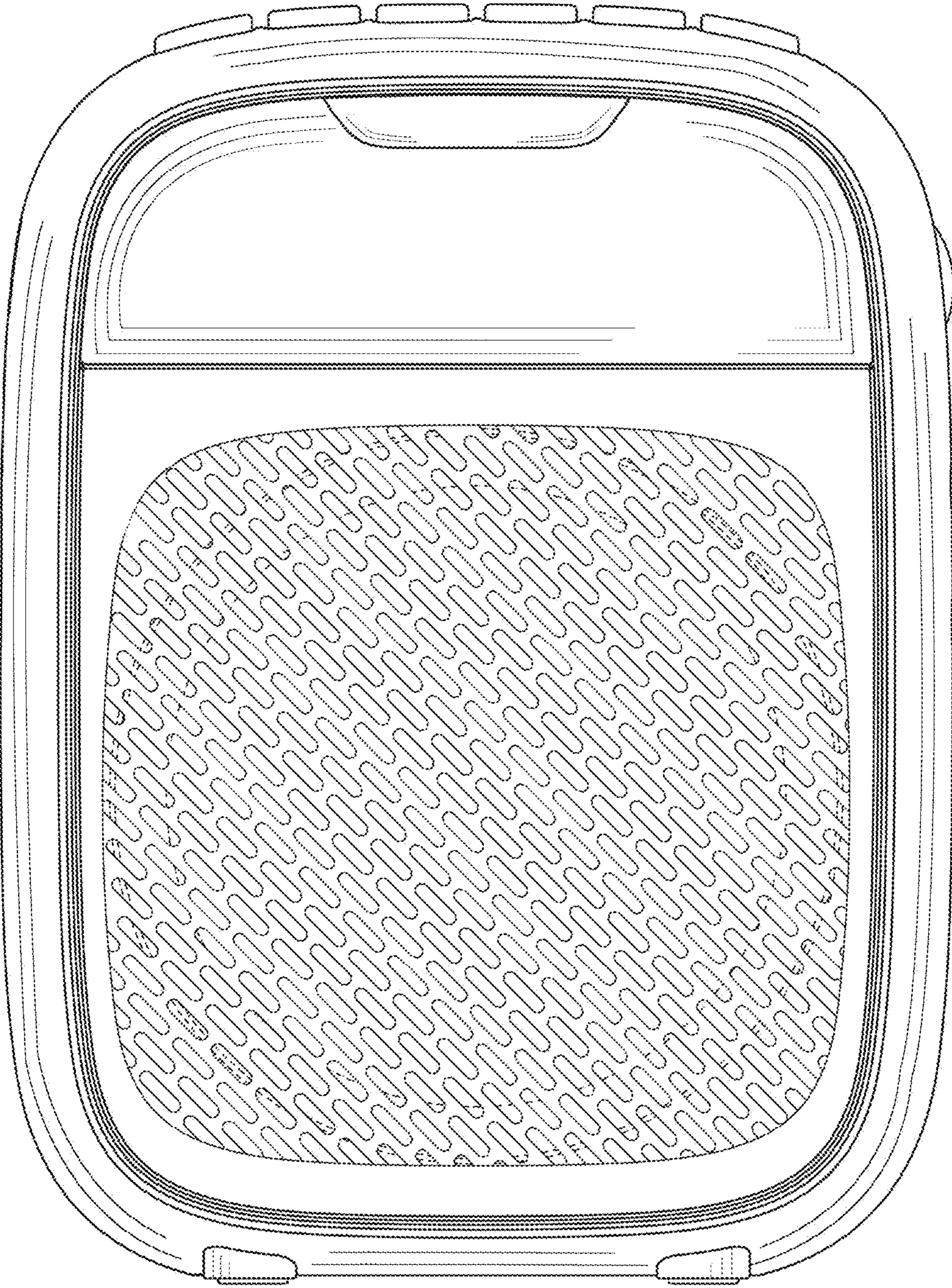


FIG. 1

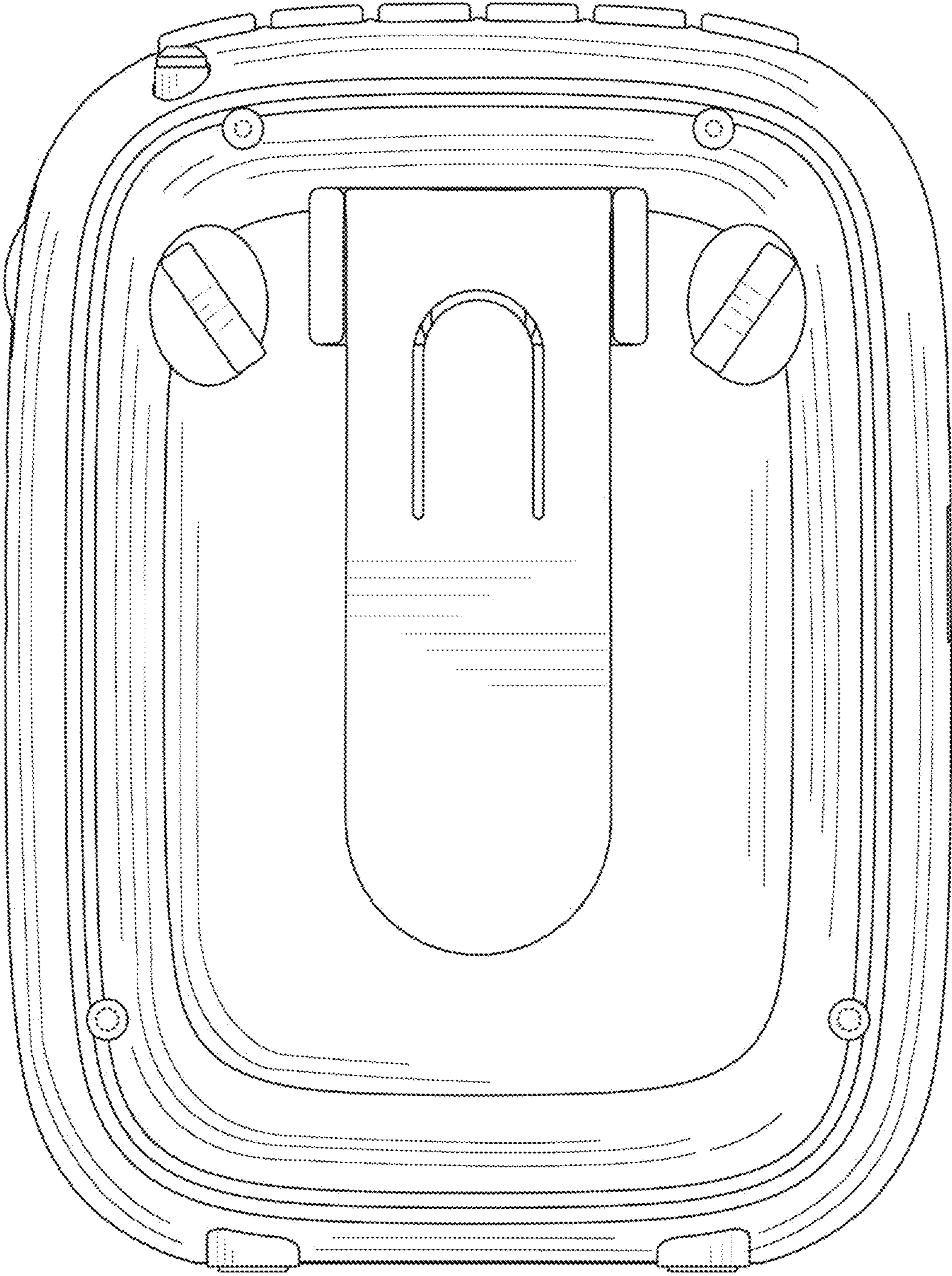


FIG. 2

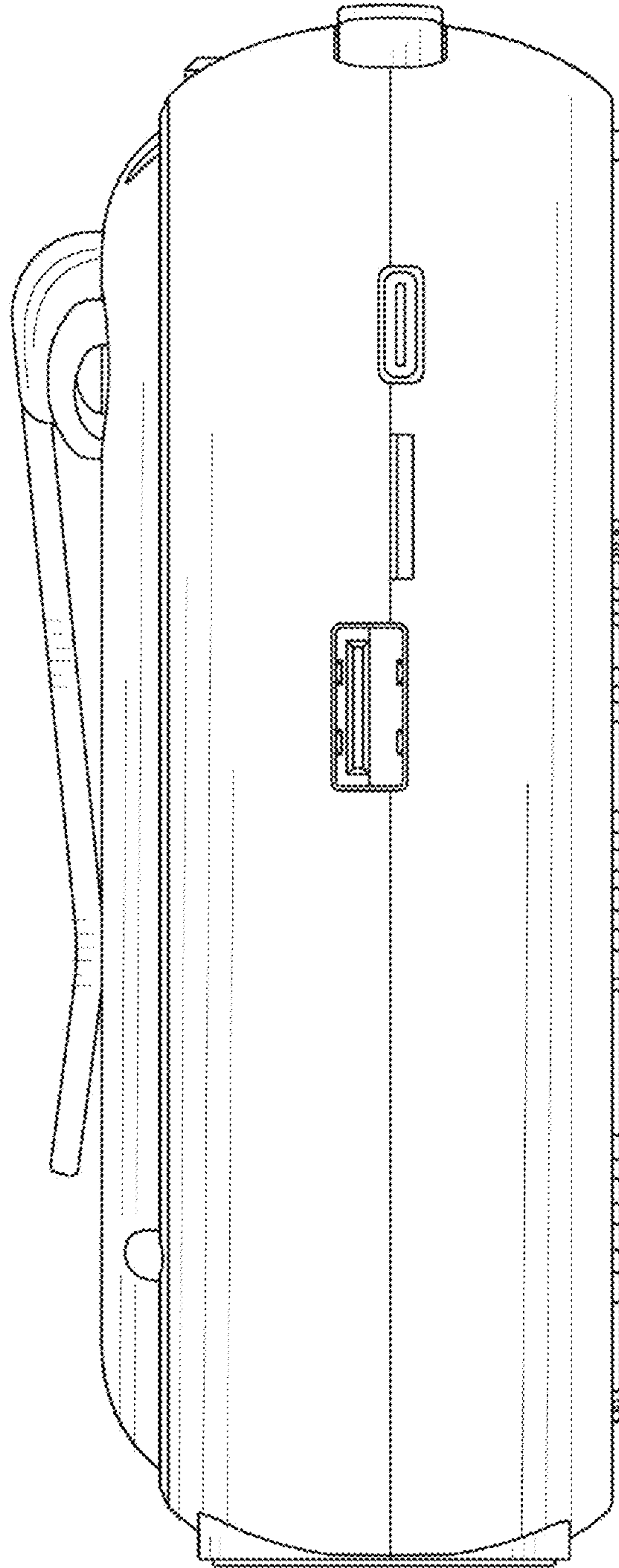


FIG. 3

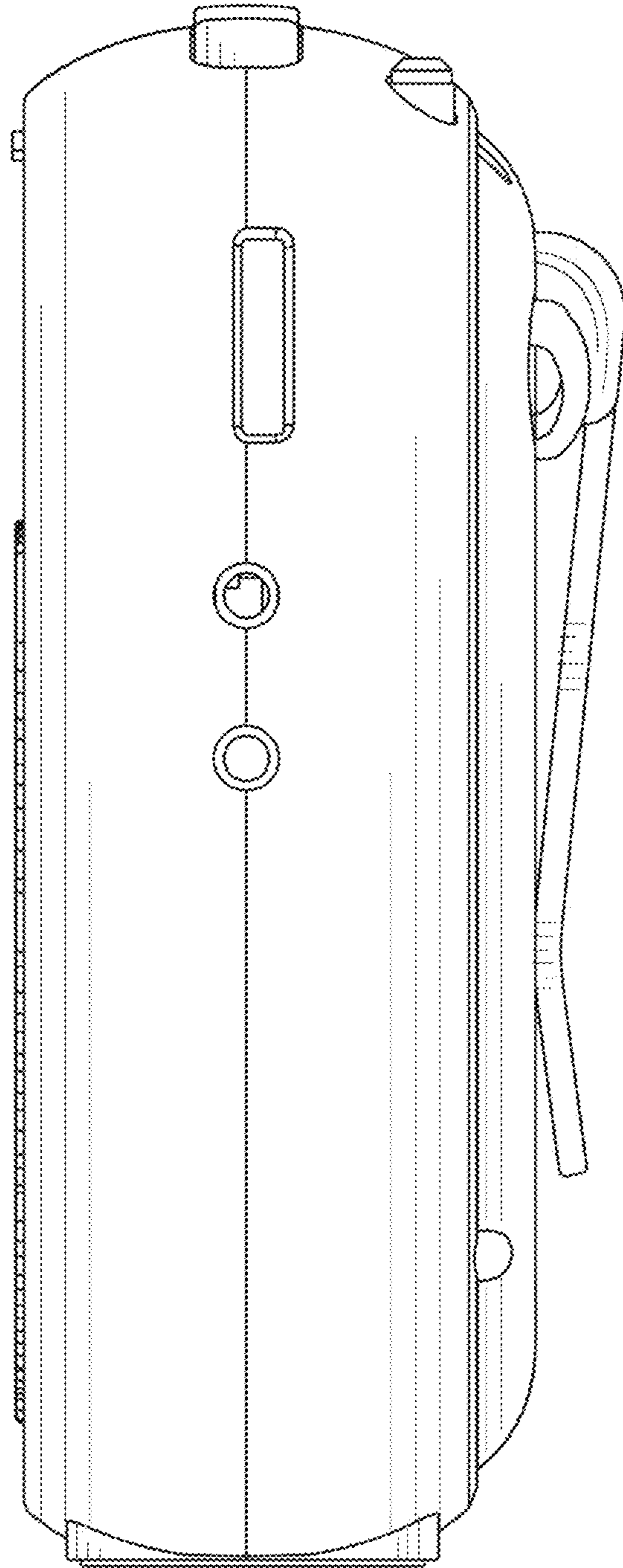


FIG. 4

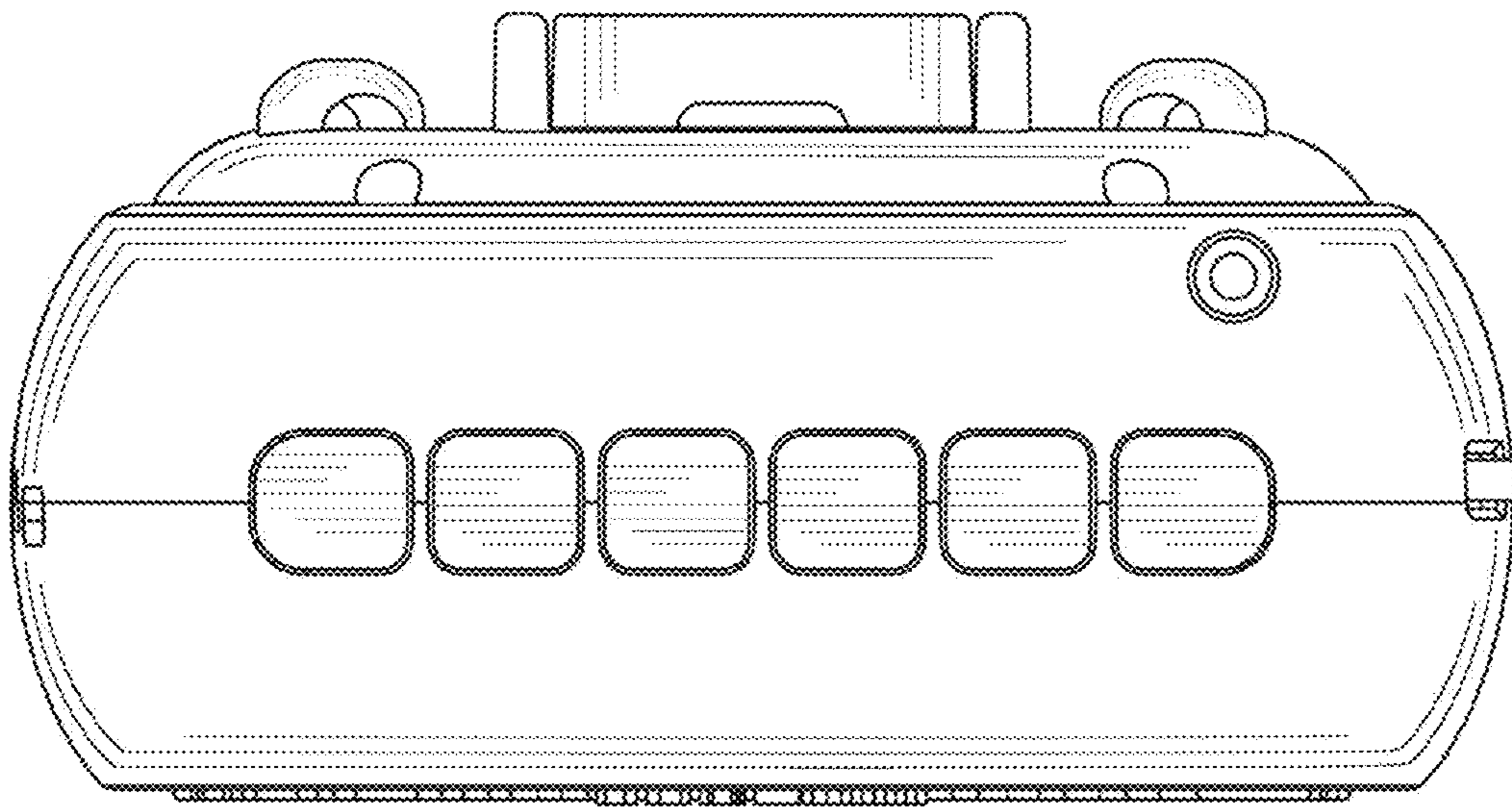


FIG. 5

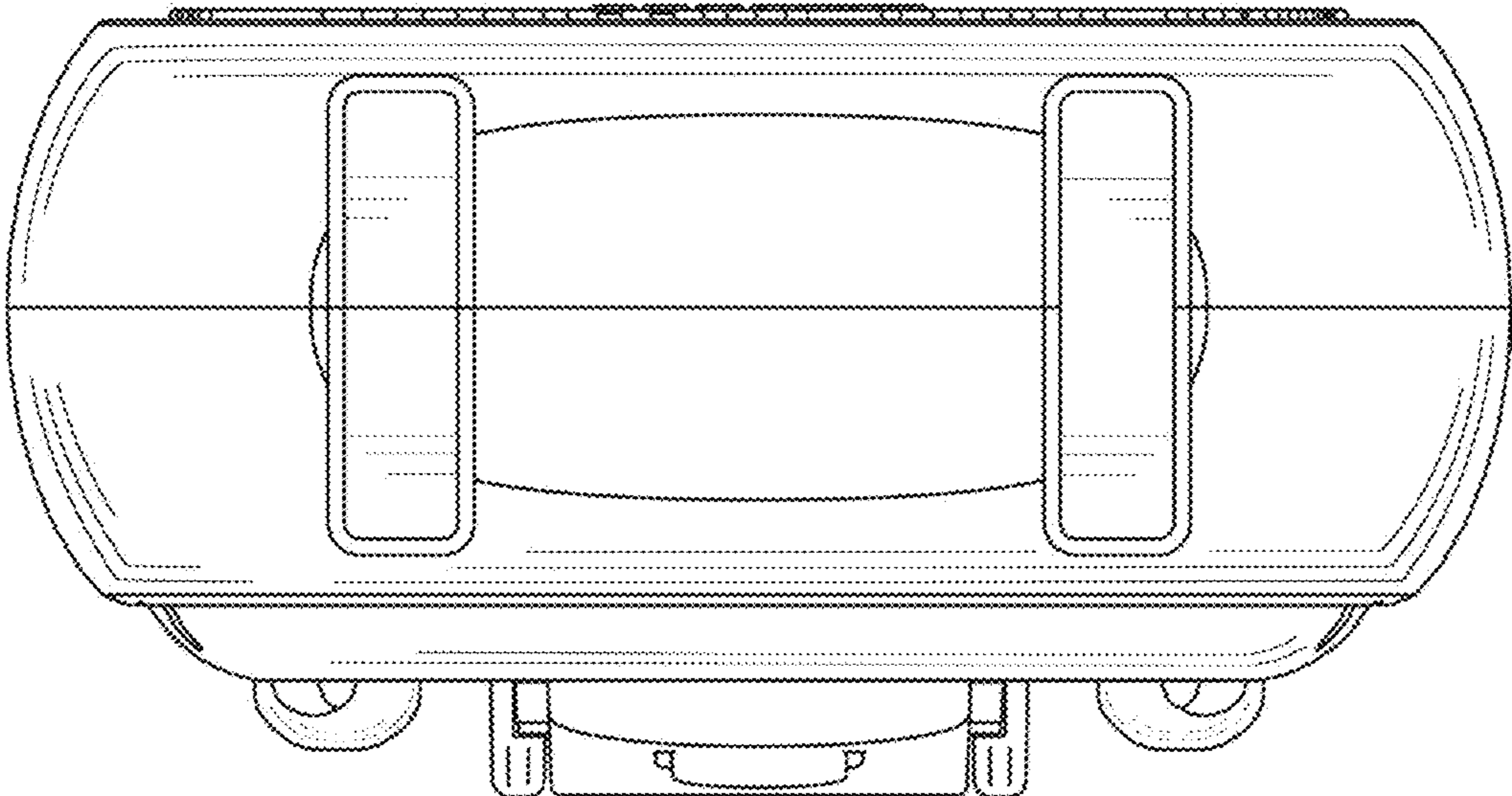


FIG. 6



FIG. 7



FIG. 8