



US00D931823S

(12) **United States Design Patent** (10) **Patent No.:** **US D931,823 S**
Murata (45) **Date of Patent:** **** Sep. 28, 2021**

(54) **REACTION TUBE**
(71) Applicant: **KOKUSAI ELECTRIC CORPORATION**, Tokyo (JP)
(72) Inventor: **Satoru Murata**, Toyama (JP)
(73) Assignee: **KOKUSAI ELECTRIC CORPORATION**, Tokyo (JP)
(**) Term: **15 Years**
(21) Appl. No.: **29/722,376**

D423,463 S * 4/2000 Hanagata D13/182
D424,024 S * 5/2000 Hanagata D13/182
6,251,189 B1 * 6/2001 Odake C23C 16/44
118/715
D521,464 S * 5/2006 Ishii D13/182
D521,465 S * 5/2006 Ishii D13/182
D586,768 S * 2/2009 Inoue D13/182
D600,659 S * 9/2009 Matsuura D13/182
D610,559 S * 2/2010 Okada D13/182
D611,013 S * 3/2010 Takahashi D13/182
D618,638 S * 6/2010 Nakashima D13/182
D698,641 S * 2/2014 Theisen D9/418
D711,843 S * 8/2014 Yamazaki D13/182
D725,055 S * 3/2015 Yamazaki D13/182
D739,832 S * 9/2015 Yamazaki D13/182

(Continued)

(22) Filed: **Jan. 29, 2020**
(51) **LOC (13) Cl.** **13-03**
(52) **U.S. Cl.**
USPC **D13/182**
(58) **Field of Classification Search**
USPC D13/182; D24/224; D15/144, 144.1
CPC H01L 21/67098; H01L 21/67103; H01L
21/67109; H01L 21/67115; C23C 16/455;
C23C 16/45502; C23C 16/45504; C23C
16/45506; C23C 16/45508; C23C
16/4551; C23C 16/4586; C23C 16/4587;
C23C 16/46; C23C 16/463; C23C 16/466
See application file for complete search history.

Primary Examiner — Elizabeth J Oswecki
(74) *Attorney, Agent, or Firm* — Fitch, Even, Tabin &
Flannery, LLP

(57) **CLAIM**

The ornamental design for a reaction tube, as shown and described.

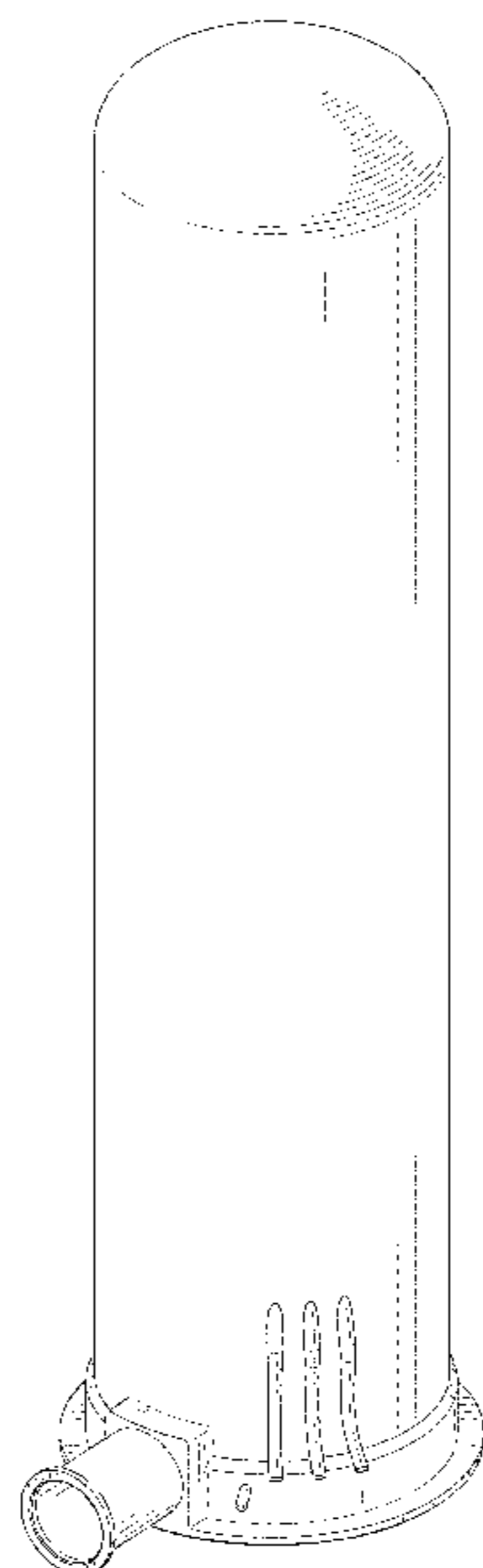
DESCRIPTION

FIG. 1 is a front, top, and right side perspective view of a reaction tube showing my new design;
FIG. 2 is a front elevational view thereof;
FIG. 3 is a right side elevational view thereof;
FIG. 4 is a left side elevational view thereof;
FIG. 5 is a rear elevational view thereof;
FIG. 6 is a top plan view thereof;
FIG. 7 is a bottom plan view thereof;
FIG. 8 is an enlarged view taken from the dash-dot broken line box labeled FIG. 8 in FIG. 3; and,
FIG. 9 is a cross sectional view taken along line 9-9 in FIG. 2.

The dash-dot broken line box in the FIG. 3 and FIG. 8 show the boundary of the enlarged portion view and form no part of the claimed design.

1 Claim, 7 Drawing Sheets

(56) **References Cited**
U.S. PATENT DOCUMENTS
4,950,870 A * 8/1990 Mitsuhashi G05D 23/22
219/390
5,618,349 A * 4/1997 Yuuki C23C 16/4412
118/715
D405,062 S * 2/1999 Shimazu D13/182
D405,429 S * 2/1999 Hanagata D13/182
D405,431 S * 2/1999 Shimazu D13/182
D406,113 S * 2/1999 Hanagata D13/182
5,968,593 A * 10/1999 Sakamoto H01L 21/67109
118/715
D417,438 S * 12/1999 Matsushima D13/182



(56)

References Cited

U.S. PATENT DOCUMENTS

9,460,946	B2 *	10/2016	Murata	H01L 21/67109
D770,993	S *	11/2016	Yoshida	D13/182
D772,824	S *	11/2016	Yoshida	D13/182
D778,458	S	2/2017	Tateno et al.		
D791,090	S *	7/2017	Yoshida	D13/182
9,748,125	B2 *	8/2017	Wu	H01L 21/67346
D842,823	S *	3/2019	Okajima	D13/182
D842,824	S	3/2019	Sato		
D853,979	S *	7/2019	Kagaya	D13/182
10,605,530	B2 *	3/2020	Jdira	F27B 5/04
D901,406	S *	11/2020	Kagaya	D13/182
10,883,175	B2 *	1/2021	Wieggers	H01L 21/67017
2001/0050054	A1 *	12/2001	Kwag	C23C 16/455
					118/715
2003/0221779	A1 *	12/2003	Okuda	C23C 16/4412
					156/345.26
2008/0083372	A1 *	4/2008	Inoue	C23C 16/345
					118/725
2009/0250005	A1 *	10/2009	Kaneko	H01L 21/67109
					118/724

* cited by examiner

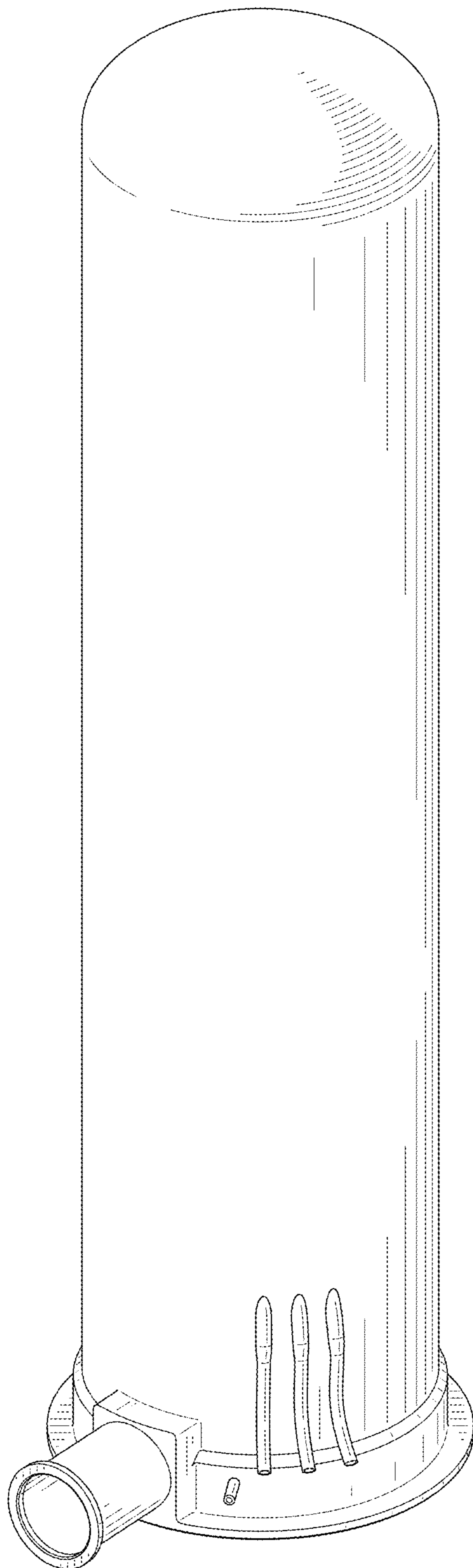


FIG. 1

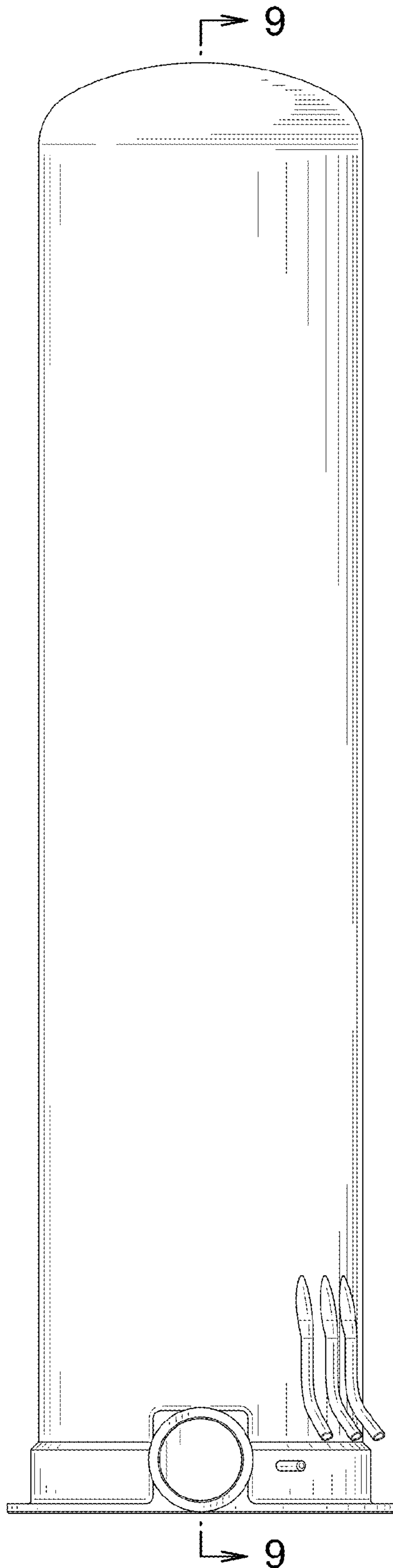


FIG. 2

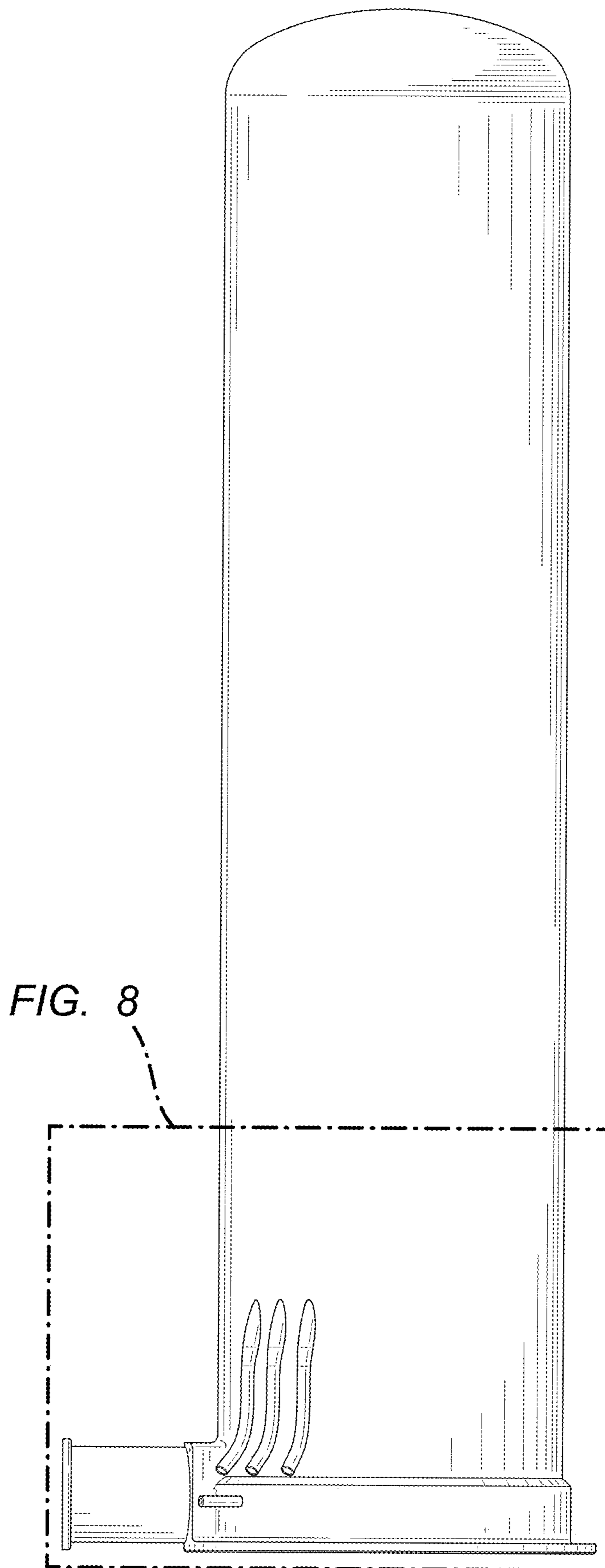


FIG. 3

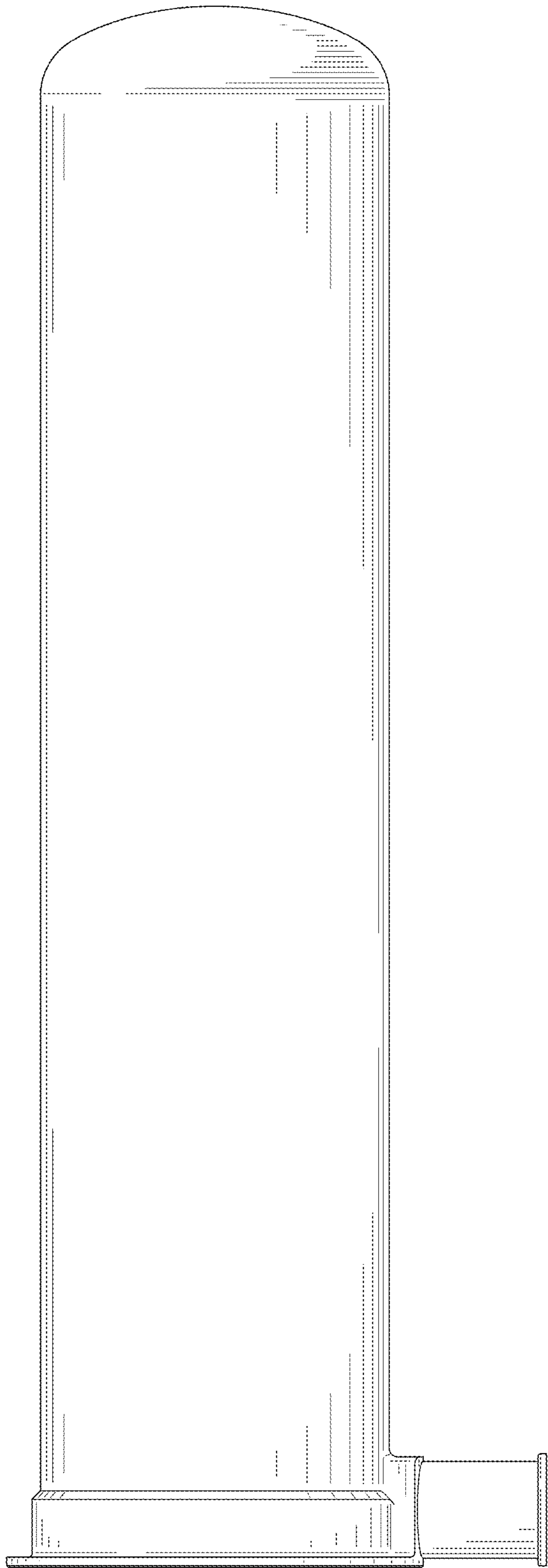


FIG. 4

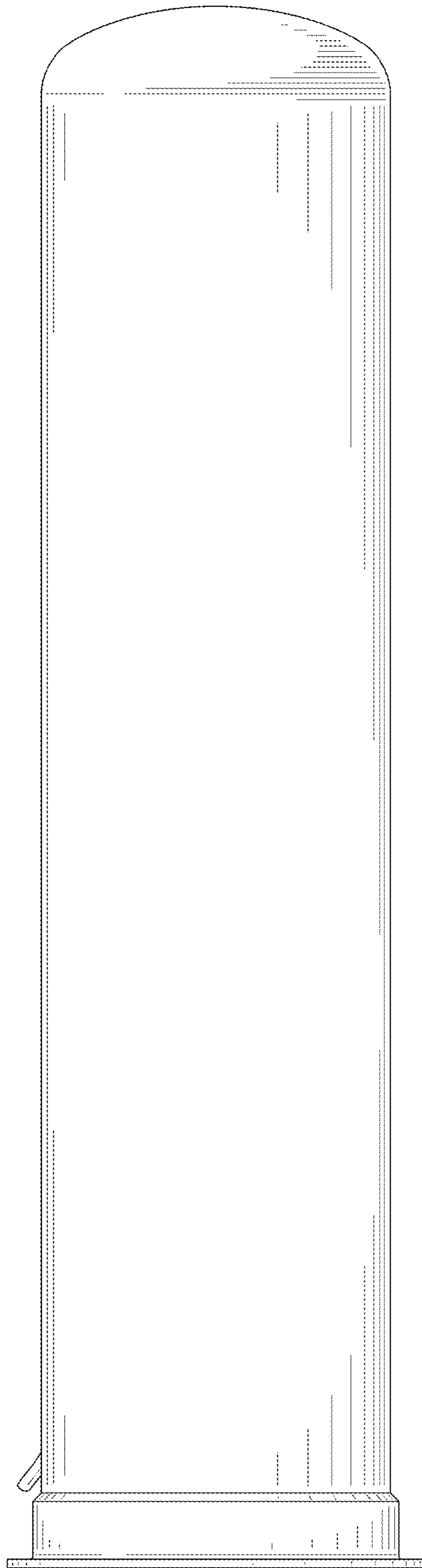


FIG. 5

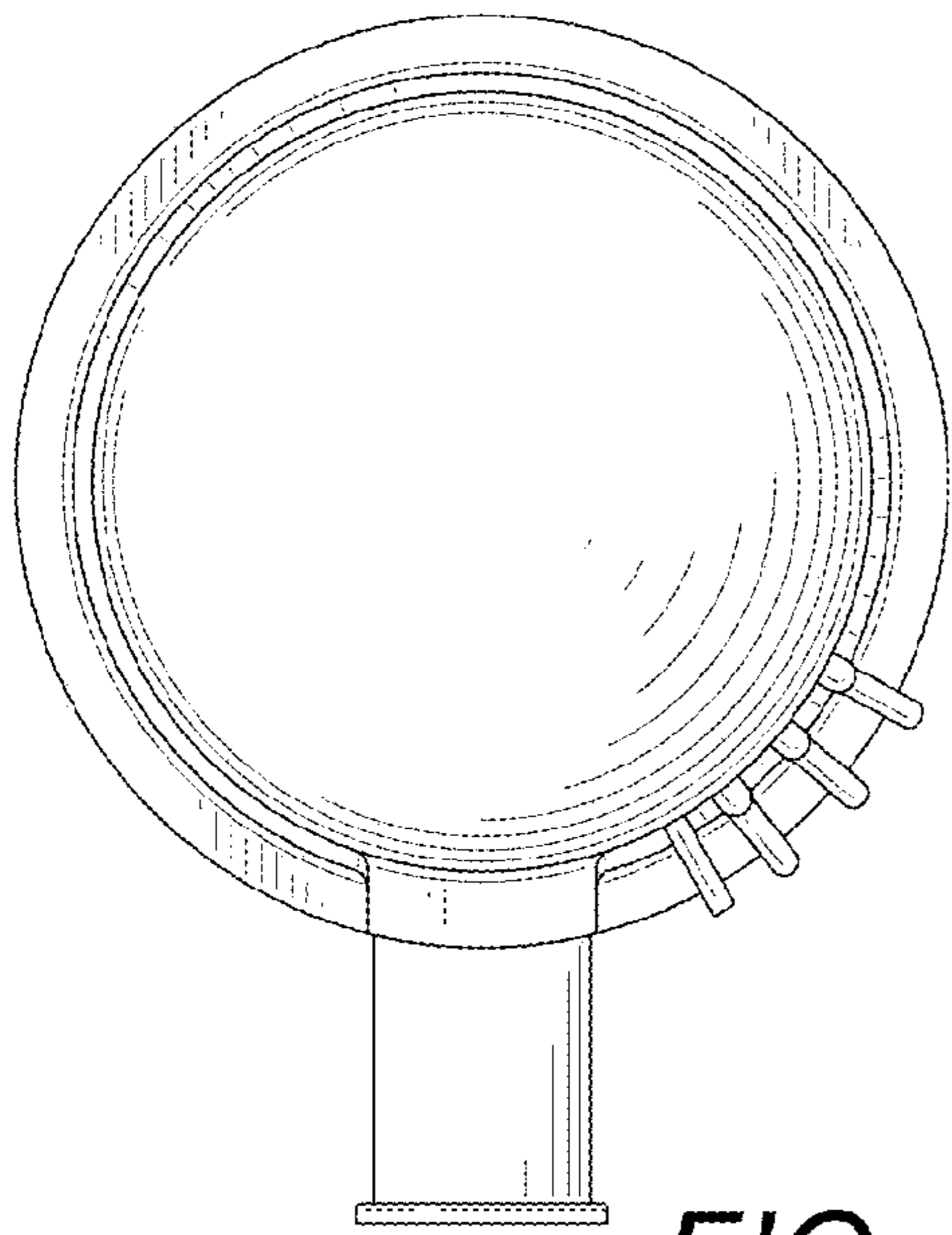


FIG. 6

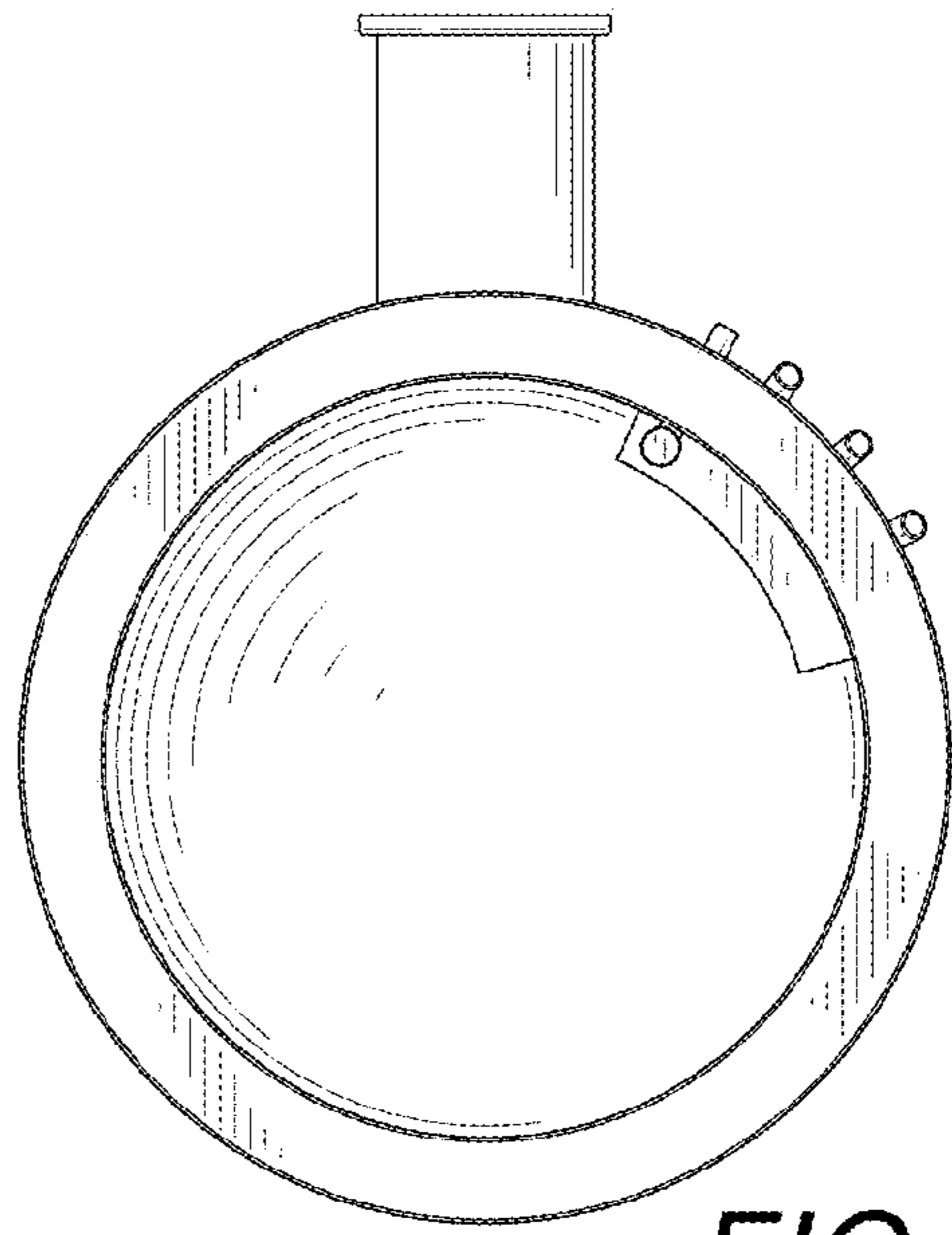


FIG. 7

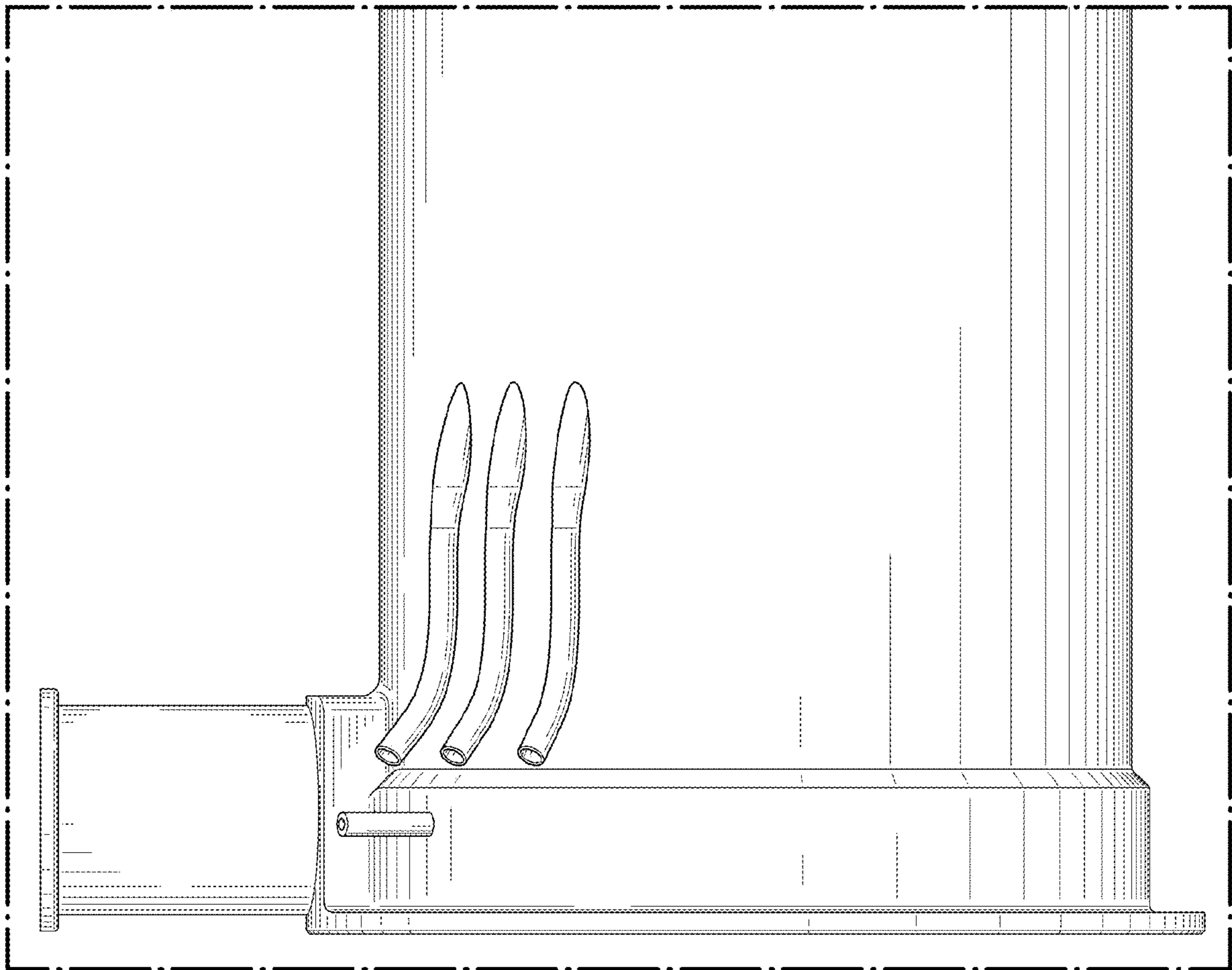


FIG. 8

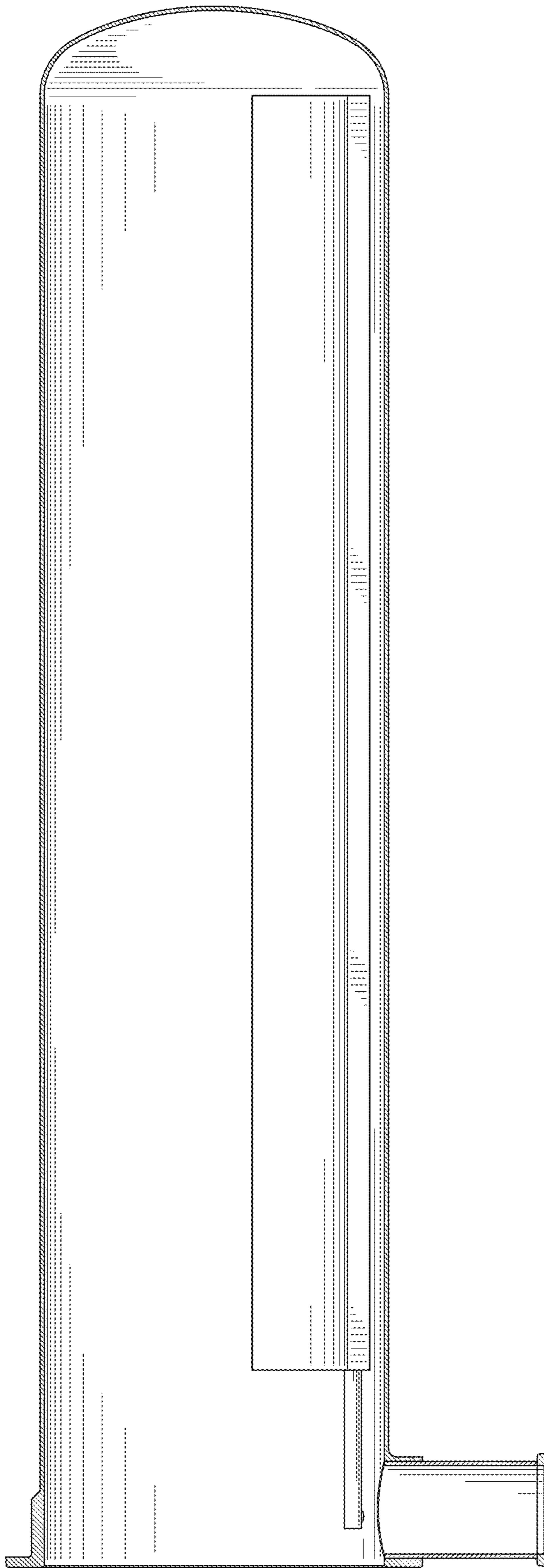


FIG. 9