



US00D931821S

(12) **United States Design Patent** (10) **Patent No.:** **US D931,821 S**  
**Sugie** (45) **Date of Patent:** **\*\* Sep. 28, 2021**

(54) **DUCT FOR POWER AND ELECTRICAL CABLES**  
(71) Applicant: **SUGIE SEITO CO., LTD.**, Aichi (JP)  
(72) Inventor: **Shogo Sugie**, Aichi (JP)  
(73) Assignee: **SUGIE SEITO CO., LTD.**, Aichi (JP)  
(\*\*) Term: **15 Years**  
(21) Appl. No.: **29/726,228**  
(22) Filed: **Mar. 2, 2020**

**Related U.S. Application Data**

(63) Continuation-in-part of application No. 29/617,378, filed on Sep. 13, 2017, now Pat. No. Des. 880,430.

(30) **Foreign Application Priority Data**

Mar. 17, 2017 (EM) ..... 003804749-0001  
Mar. 17, 2017 (EM) ..... 003804749-0002  
Mar. 17, 2017 (EM) ..... 003804749-0003  
Mar. 17, 2017 (EM) ..... 003804749-0004

(51) **LOC (13) Cl.** ..... **13-03**

(52) **U.S. Cl.**  
USPC ..... **D13/155**

(58) **Field of Classification Search**  
USPC ..... D13/102-110, 118-120, 146, 147, D13/151-155, 184  
CPC ..... H01M 2/02; H01M 2/022; H01M 2/0202; H01M 2/0207; H01M 2/0212; H01M 2/1061; H01M 2/1022; H01M 2/1055; H01M 2/1066; H01M 2/105; H01M 2/20; H01M 2/202; H01M 2/204; H01M 2/206; H01M 10/44; H01M 10/46; H01M 10/465; H01M 10/482; H01M 2200/30; H01M 2250/30; H01M 2250/40; H02J 7/00; H02J 7/0003; H02J 7/0011; H02J 7/0013; H02J

(Continued)

(56) **References Cited**

U.S. PATENT DOCUMENTS

4,445,750 A \* 5/1984 Grois ..... G02B 6/3887  
385/69  
4,805,979 A \* 2/1989 Bossard ..... G02B 6/4446  
385/135  
5,251,373 A 10/1993 DeCarlo et al.  
(Continued)

FOREIGN PATENT DOCUMENTS

EP 0942303 A1 \* 9/1999 ..... H02G 15/013  
EP 2520960 A1 \* 11/2012 ..... G02B 6/445  
WO WO-0233796 A2 \* 4/2002 ..... H02G 15/117

OTHER PUBLICATIONS

Sugie Seito Products Cera-Duct, retrieved on Mar. 17, 2021, retrieved from the Internet URL: <http://www.sugie.co.jp/english/index.html>.\*

*Primary Examiner* — Catherine S Posthauer

*Assistant Examiner* — Alison M Ofstun

(74) *Attorney, Agent, or Firm* — Maier & Maier, PLLC

(57) **CLAIM**

The ornamental design for a duct for power and electrical cables, as shown and described.

**DESCRIPTION**

FIG. 1 is a front view of a duct for power and electrical cables, showing my design, the rear view being a mirror image thereof;

FIG. 2 is a right elevation view thereof, the left elevation view being a mirror image thereof;

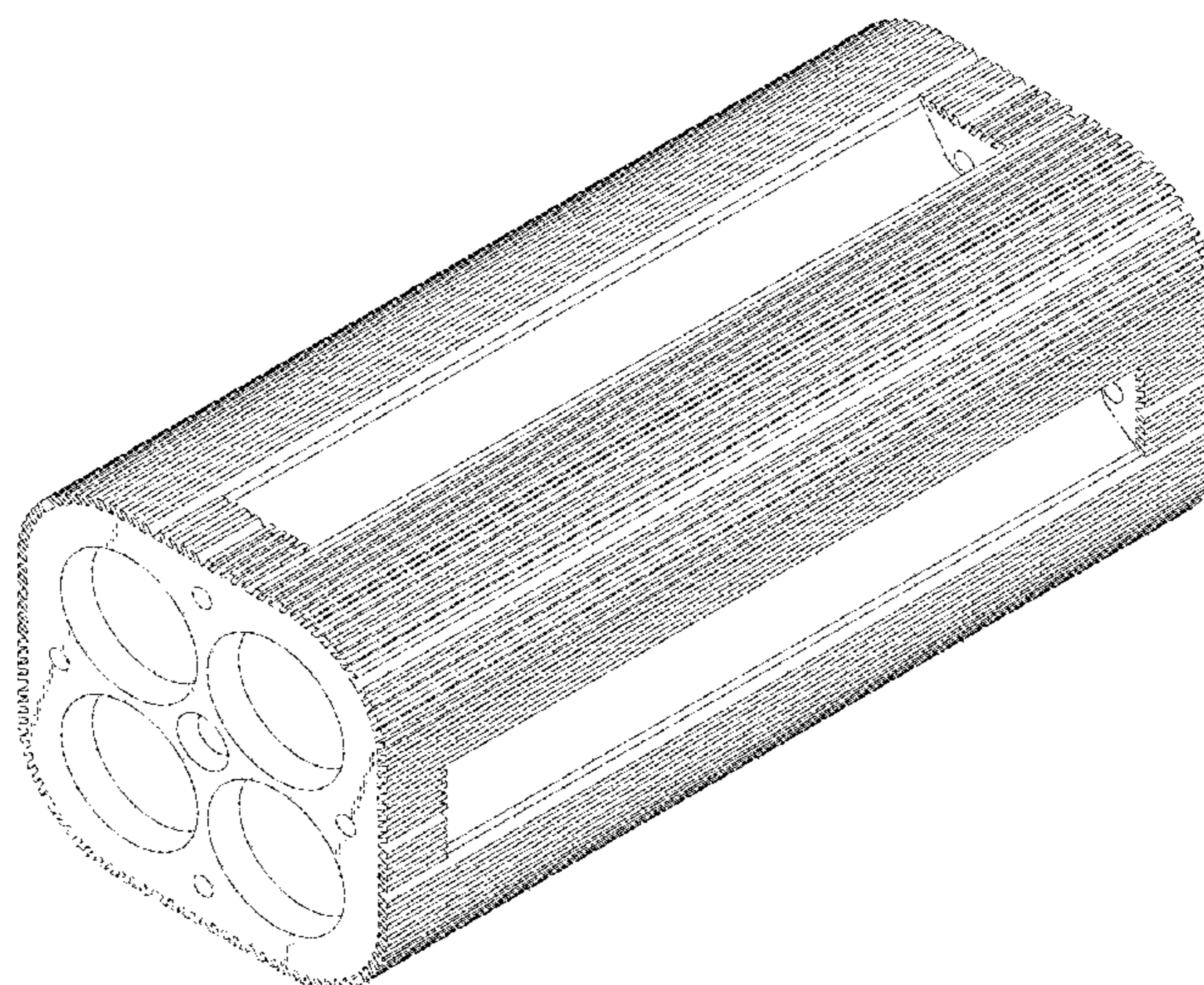
FIG. 3 is a top plan view thereof;

FIG. 4 is a bottom plan view thereof; and,

FIG. 5 is a perspective view thereof.

The broken line showing in the Figures shows portions of the duct for power and electrical cables and forms no part of the claimed design.

**1 Claim, 5 Drawing Sheets**



(58) **Field of Classification Search**

CPC .... 7/0054; H02J 7/0055; H02J 7/0057; H01R  
4/00; H01R 4/70

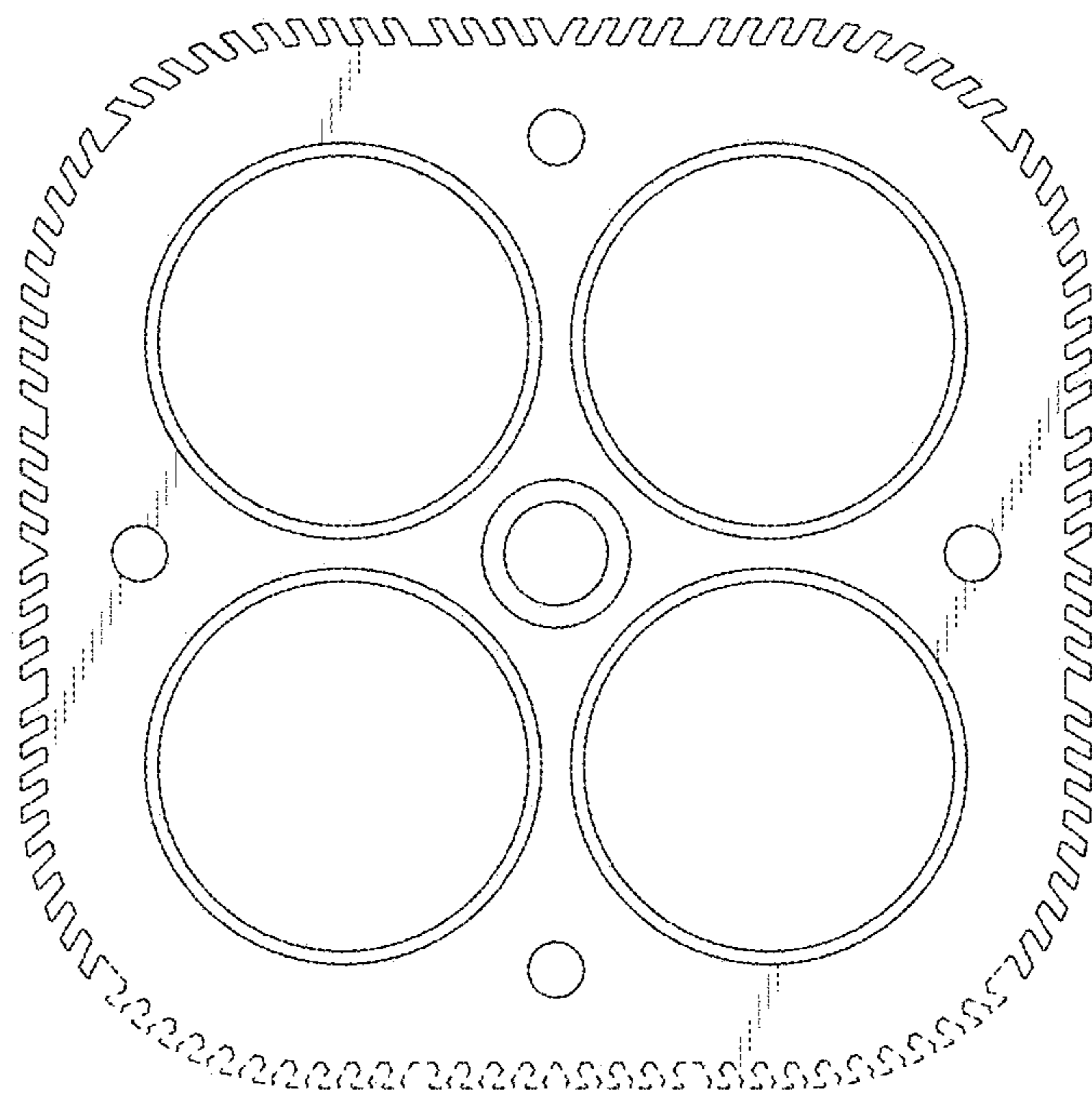
See application file for complete search history.

(56) **References Cited**

U.S. PATENT DOCUMENTS

5,568,584 A \* 10/1996 Smith ..... G02B 6/4446  
385/134  
5,787,219 A 7/1998 Mueller et al.  
6,046,406 A 4/2000 Milanowski et al.  
D503,155 S 3/2005 Noji  
7,015,394 B2 \* 3/2006 Desard ..... H02G 15/013  
174/100  
7,253,362 B1 \* 8/2007 Dower ..... H01R 4/70  
174/84 R  
7,376,325 B1 5/2008 Cloud et al.  
D758,320 S 6/2016 Prince  
D776,623 S 1/2017 Jenkins  
10,006,566 B2 \* 6/2018 Callahan ..... F16L 3/237  
D880,430 S \* 4/2020 Sugie ..... D13/155  
2006/0042814 A1 3/2006 Ball et al.  
2007/0261880 A1 \* 11/2007 Cox ..... H02G 3/081  
174/138 F  
2012/0279749 A1 11/2012 Badura et al.  
2014/0197958 A1 7/2014 Madden et al.  
2014/0226945 A1 8/2014 Claessens et al.  
2015/0071598 A1 3/2015 Badura et al.  
2016/0087352 A1 3/2016 Jaroschek  
2016/0285249 A1 9/2016 Zhai et al.  
2018/0254621 A1 9/2018 Coenegracht et al.

\* cited by examiner



*Fig. 1*

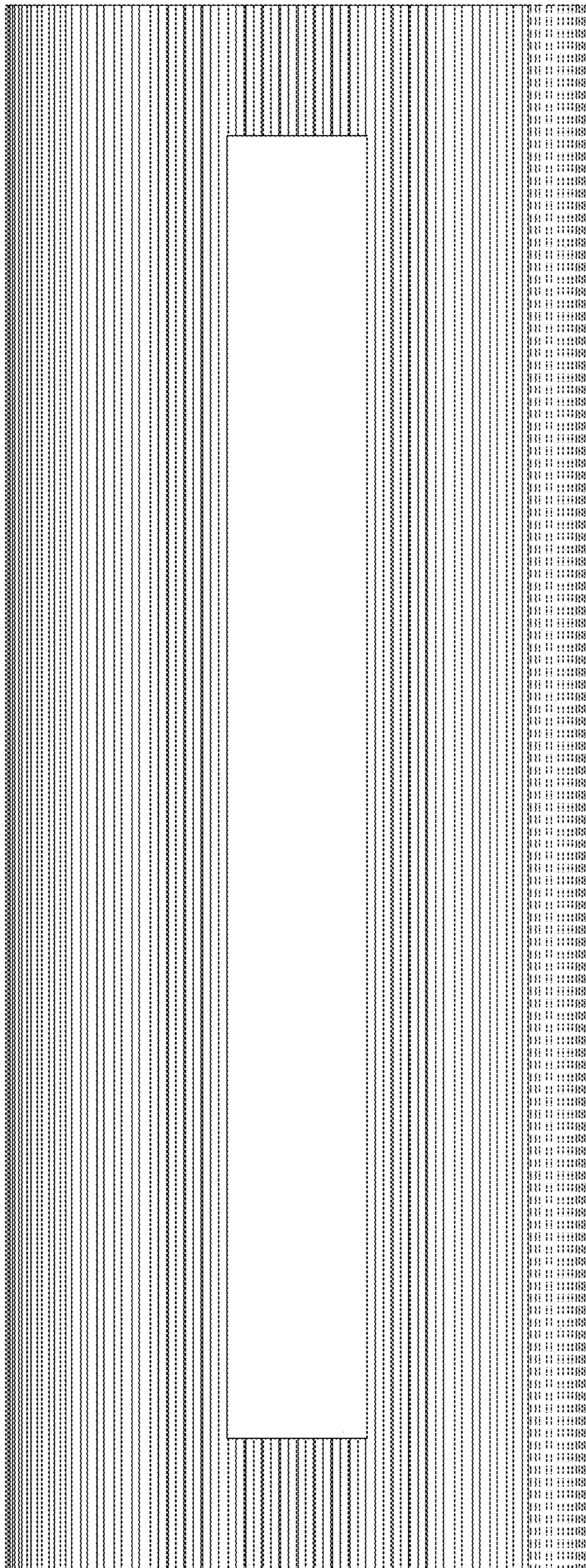
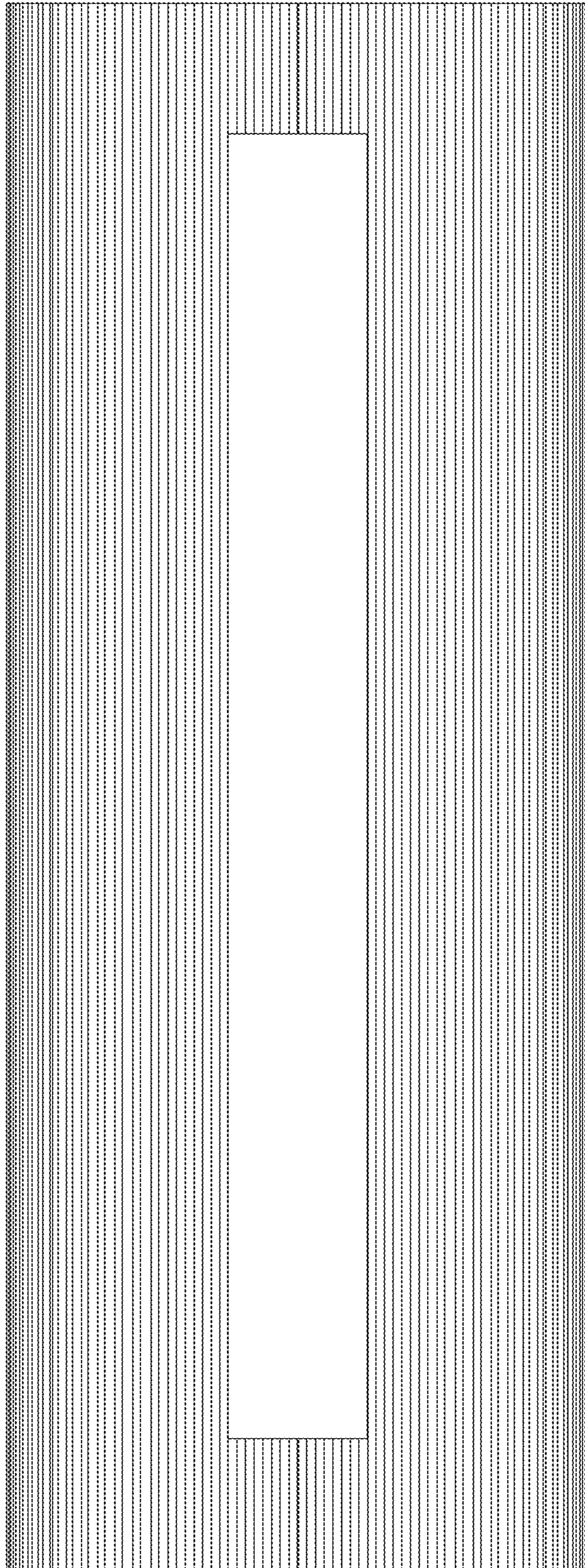


Fig. 2



*Fig. 3*

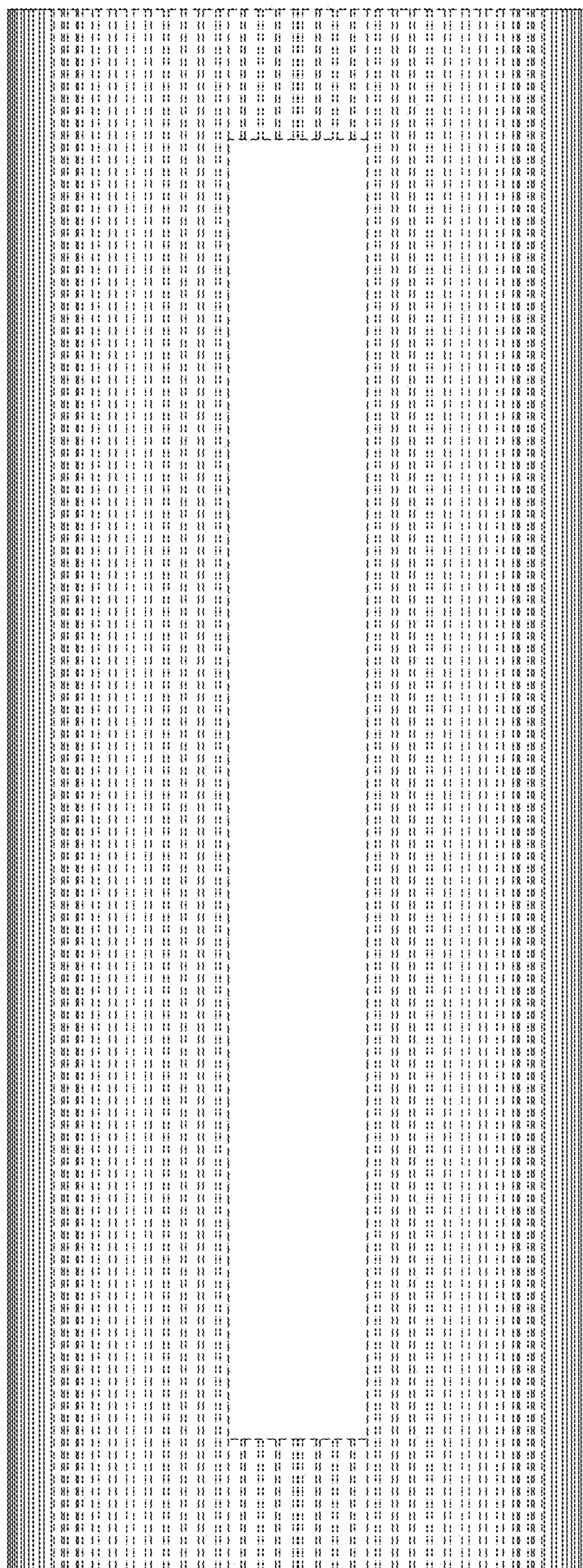


Fig. 4

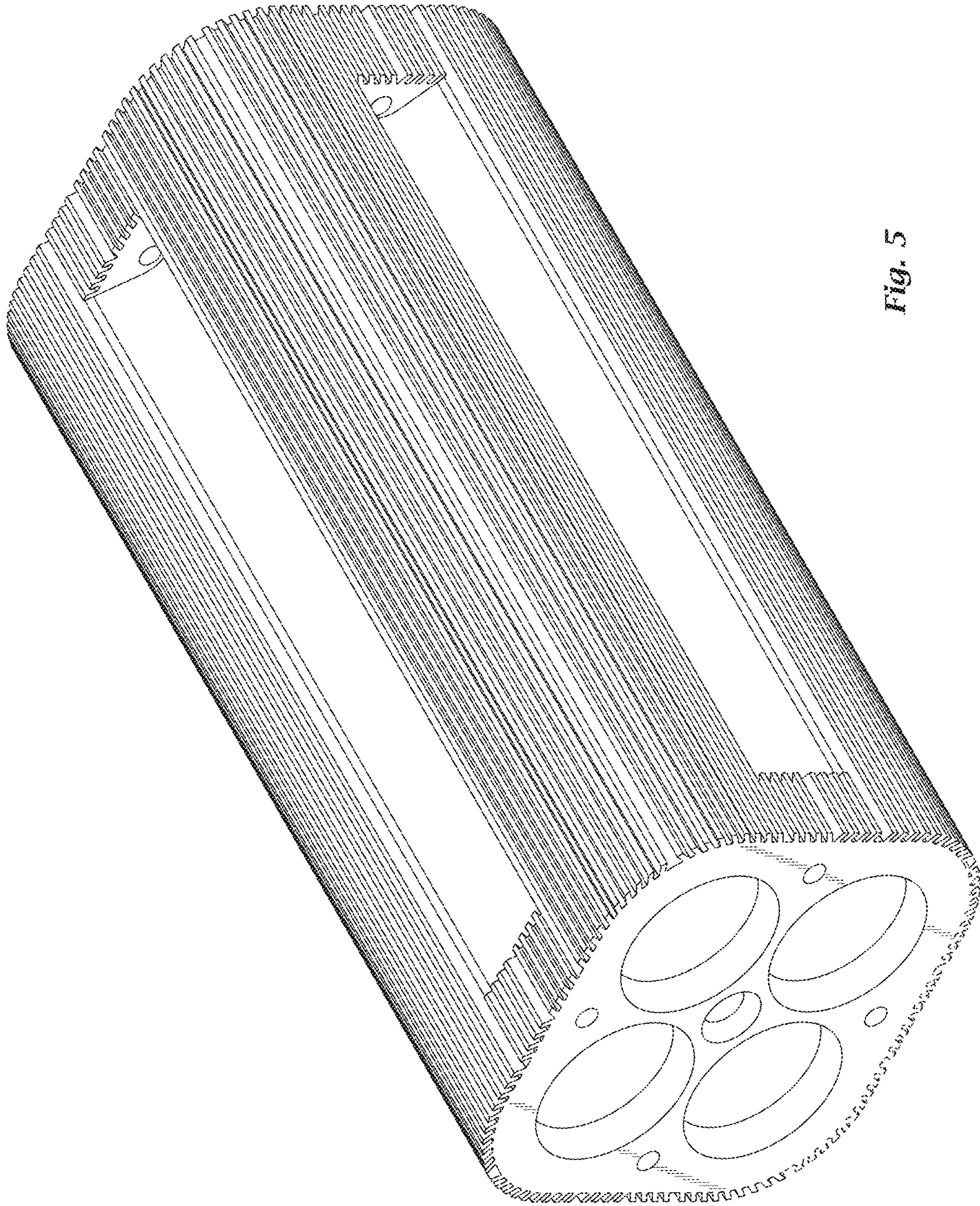


Fig. 5