



US00D931819S

(12) **United States Design Patent** (10) **Patent No.:** **US D931,819 S**  
**Wan** (45) **Date of Patent:** **\*\* Sep. 28, 2021**

(54) **USB CABLE**

D864,963 S \* 10/2019 Luo ..... D14/433  
D898,032 S \* 10/2020 Yuan ..... D14/433  
D900,754 S \* 11/2020 Fu ..... D13/153

(71) Applicant: **Xiaoming Wan**, Shenzhen (CN)

(72) Inventor: **Xiaoming Wan**, Shenzhen (CN)

(\*\*) Term: **15 Years**

(21) Appl. No.: **29/697,306**

(22) Filed: **Jul. 8, 2019**

(51) **LOC (13) Cl.** ..... **13-03**

(52) **U.S. Cl.**  
USPC ..... **D13/147**

(58) **Field of Classification Search**  
USPC ..... D13/103, 107, 108, 110, 112, 118, 120,  
D13/123, 133, 137.1, 138.1, 139.1,  
D13/145-147, 149-156, 158, 173, 177,  
D13/184, 199; D14/240, 242, 256, 432,  
D14/433, 434, 435.1, 438, 439,  
D14/480.1-480.7, 484.1; D24/129  
See application file for complete search history.

(56) **References Cited**

**U.S. PATENT DOCUMENTS**

D676,389 S \* 2/2013 Worth ..... D13/147  
D692,390 S \* 10/2013 Smith ..... D13/153  
D705,174 S \* 5/2014 Wong ..... D13/147  
D705,175 S \* 5/2014 Chu ..... D13/147  
D716,235 S \* 10/2014 Tien ..... D13/147  
D743,965 S \* 11/2015 Laffon de Mazieres .... D14/433  
D760,720 S \* 7/2016 Laffon de Mazieres .... D14/433  
D779,492 S \* 2/2017 Lin ..... D14/433  
D784,931 S \* 4/2017 Fries ..... D13/153  
D800,731 S \* 10/2017 He ..... D14/433  
D820,217 S \* 6/2018 Li ..... D13/147  
D851,047 S \* 6/2019 Zhang ..... D13/153

**OTHER PUBLICATIONS**

USB Connectors. (Design—© Questel) orbit.com. [online PDF compilation of references selected by examiner] 18 pgs. Print Dates Range Jul. 25, 2019-Oct. 16, 2020 [Retrieved Dec. 18, 2020] <https://www.orbit.com/export/UCZAH96B/pdf4/eadd7d55-bf6a-4b1c-87c5-ba3ef15d8b7a-165535.pdf> (Year: 2020).\*

\* cited by examiner

*Primary Examiner* — Susan Bennett Hattan  
*Assistant Examiner* — Landon Thomas Cassell

(57) **CLAIM**

The ornamental design for a USB cable, as shown and described.

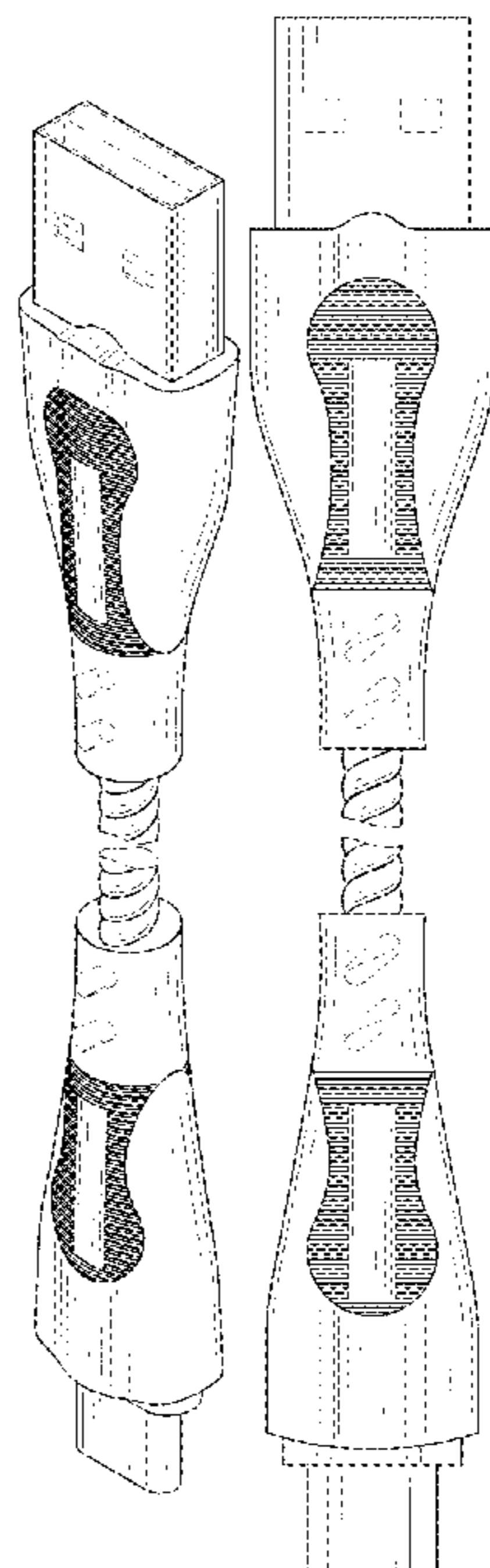
**DESCRIPTION**

FIG. 1 is a top perspective view of a USB cable showing my new design;  
FIG. 2 is a bottom perspective view thereof;  
FIG. 3 is a front view thereof;  
FIG. 4 is a back view thereof;  
FIG. 5 is a left side view thereof;  
FIG. 6 is a right side view thereof;  
FIG. 7 is a top view thereof; and,  
FIG. 8 is a bottom view thereof.

The broken lines in the figures illustrate portions of the USB cable that form no part of the claimed design.

The dash-dot broken lines in the drawings depict symbolic break lines and form no part of the claimed design. The appearance of any portion of the article between the break lines forms no part of the claimed design.

**1 Claim, 8 Drawing Sheets**



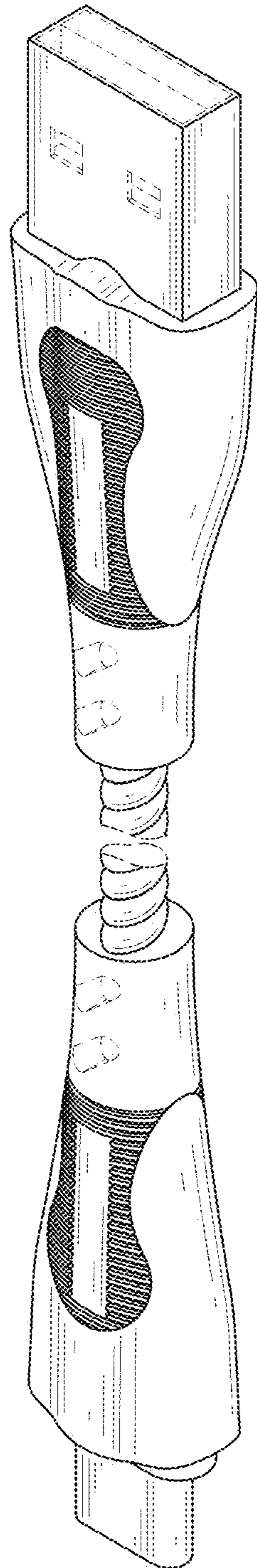


FIG. 1

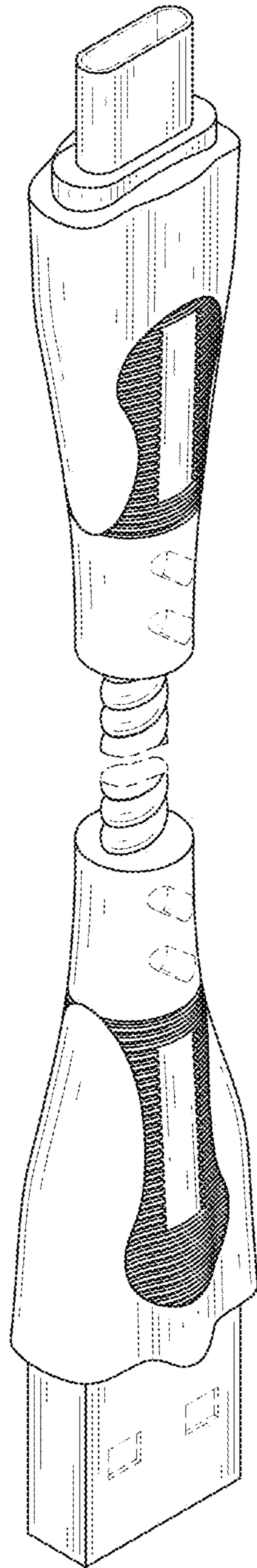


FIG. 2

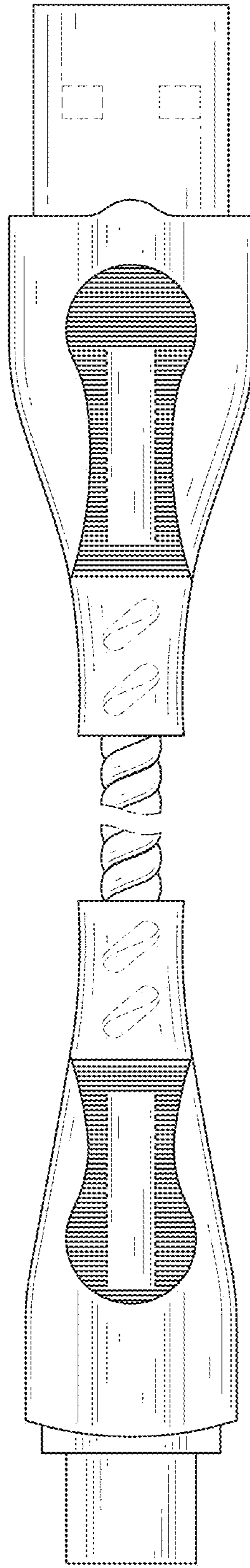


FIG. 3

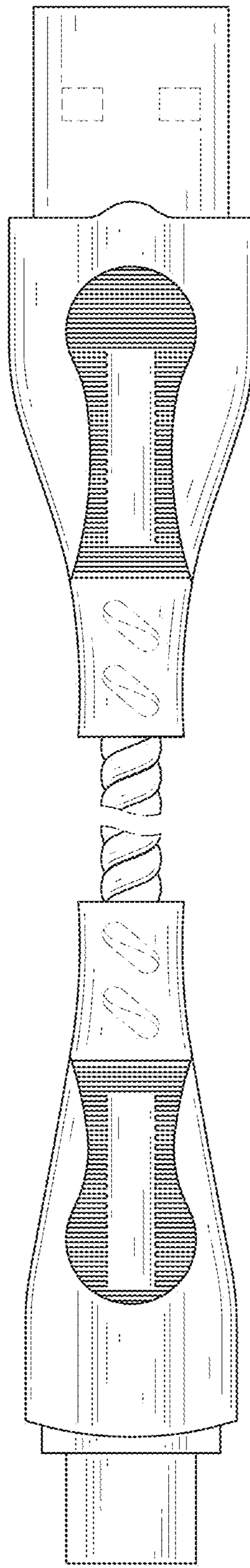


FIG. 4

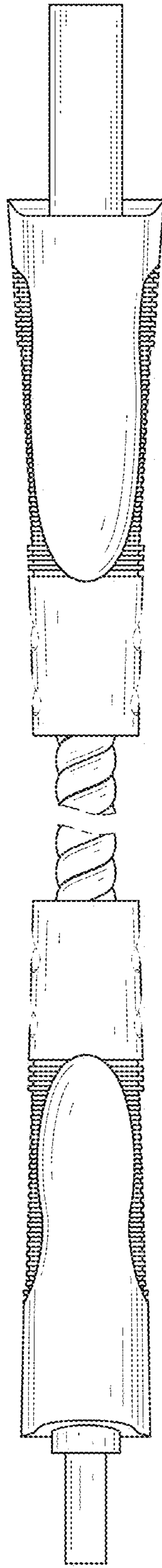


FIG. 5

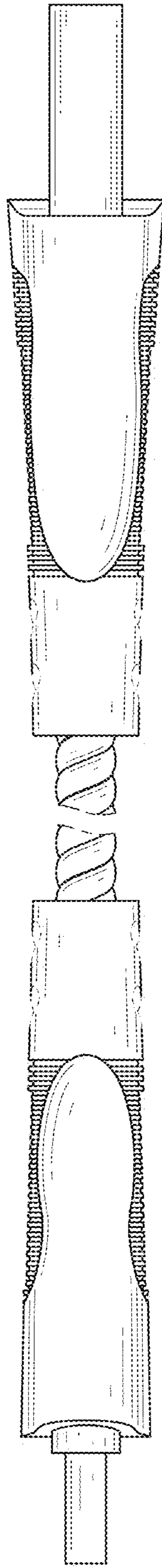


FIG. 6

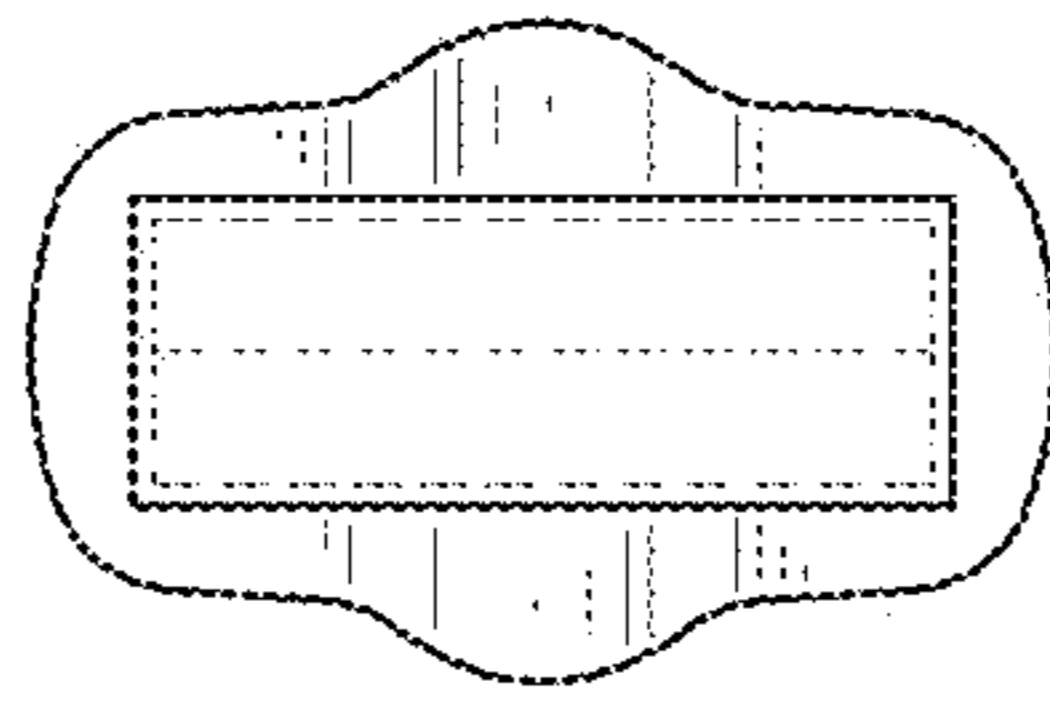


FIG. 7



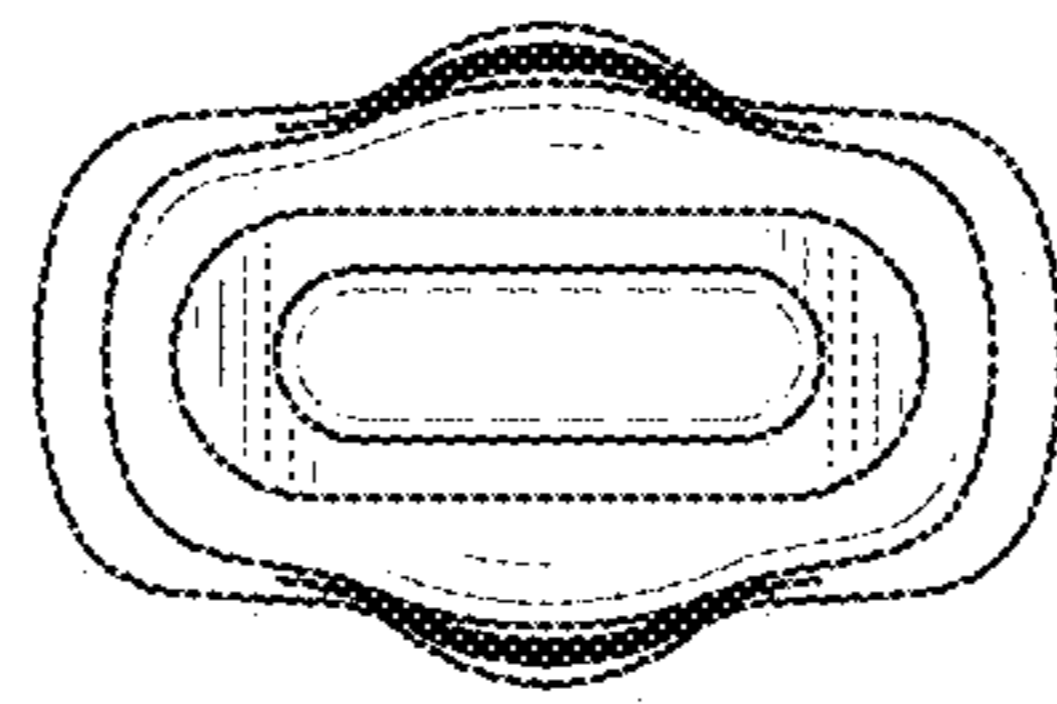


FIG. 8