



US00D931818S

(12) **United States Design Patent** (10) **Patent No.:** **US D931,818 S**  
**Höckenström** (45) **Date of Patent:** **\*\* Sep. 28, 2021**

(54) **VEHICLE CHARGE PORT**  
(71) Applicant: **Polestar Performance AB**, Gothenburg (SE)  
(72) Inventor: **Anders Höckenström**, Gothenburg (SE)  
(73) Assignee: **Polestar Performance AB**, Gothenburg (SE)

(\*\*) Term: **15 Years**

(21) Appl. No.: **29/725,642**

(22) Filed: **Feb. 26, 2020**

(51) **LOC (13) Cl.** ..... **13-03**

(52) **U.S. Cl.**  
USPC ..... **D13/146**

(58) **Field of Classification Search**  
USPC ..... D13/101, 103, 107, 108, 110, 118, 119, D13/120, 133, 137.1, 138.1, 138.2, 146, D13/147, 151, 184, 199; D12/218, 220, D12/223  
CPC ..... H01R 13/52; H01R 13/56; H01R 13/405; H01R 13/5202; H01R 13/5227; H01R 13/6272; H01R 2201/26; H02J 7/00; H02J 7/0045; H02J 7/0052; Y02T 90/14; Y02T 10/7072; B60L 53/16  
See application file for complete search history.

(56) **References Cited**

**U.S. PATENT DOCUMENTS**

3,915,476 A \* 10/1975 Burkle ..... H01R 13/62 280/422  
D649,938 S \* 12/2011 Erickson ..... D13/147  
8,288,651 B2 \* 10/2012 Smith ..... H01R 13/639 174/53

8,597,039 B2 \* 12/2013 Osawa ..... B60L 53/16 439/205  
D724,031 S \* 3/2015 Musk ..... D13/146  
9,849,795 B2 \* 12/2017 Kato ..... B60L 11/1818  
10,270,187 B2 \* 4/2019 Morita ..... H01R 43/005  
D862,390 S \* 10/2019 Tomasson ..... D13/146  
2013/0078839 A1 \* 3/2013 Musk ..... B60L 53/16 439/345  
2013/0200577 A1 \* 8/2013 Campfort ..... F16J 15/02 277/630

\* cited by examiner

*Primary Examiner* — Derrick E Holland

(74) *Attorney, Agent, or Firm* — Patterson Thuente Pedersen, P.A.

(57) **CLAIM**

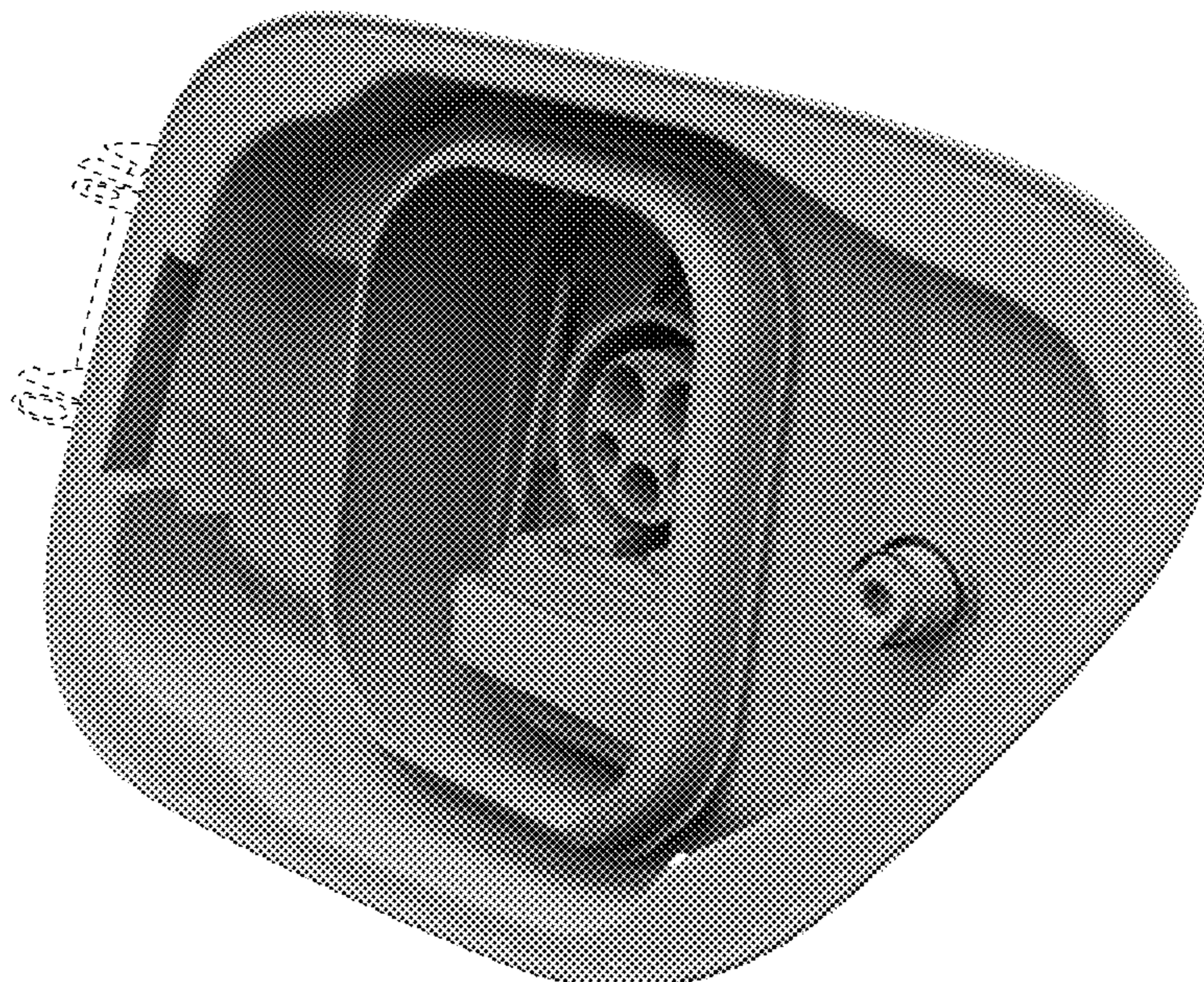
I claim the ornamental design for a vehicle charge port, as shown and described.

**DESCRIPTION**

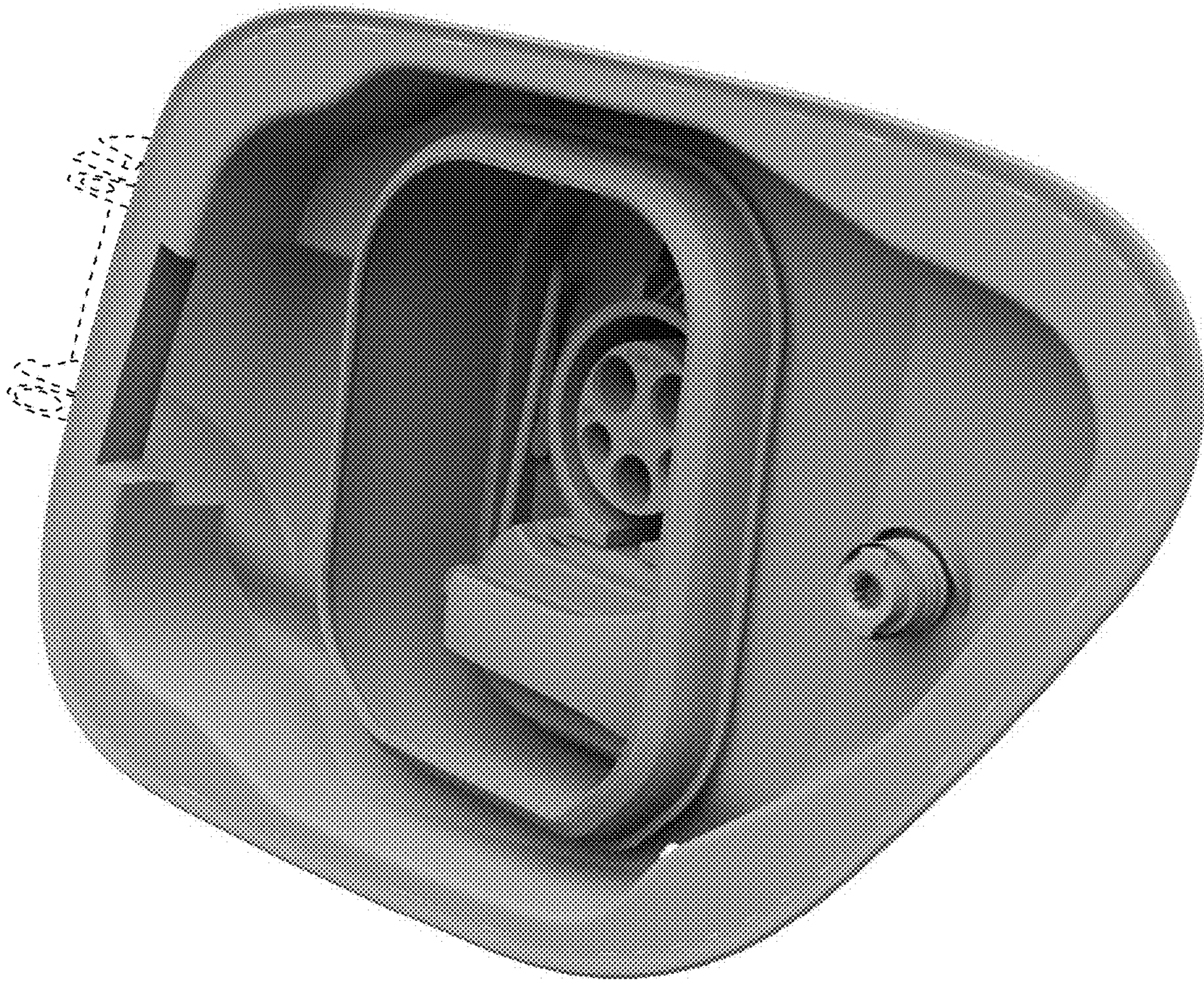
FIG. 1 is a front perspective view of a vehicle charge port. FIG. 2 is a front elevational view of the vehicle charge port depicted in FIG. 1. FIG. 3 is a rear elevational view of the vehicle charge port depicted in FIG. 1. FIG. 4 is a left side elevational view of the vehicle charge port depicted in FIG. 1. FIG. 5 is a right side elevational view of the vehicle charge port depicted in FIG. 1. FIG. 6 is a top plan view of the vehicle charge port depicted in FIG. 1. FIG. 7 is a bottom plan view of the vehicle charge port depicted in FIG. 1; and, FIG. 8 is a rear perspective view of the vehicle charge port depicted in FIG. 1.

The broken lines in the drawings illustrate portions of the vehicle charge port that form no part of the claimed design.

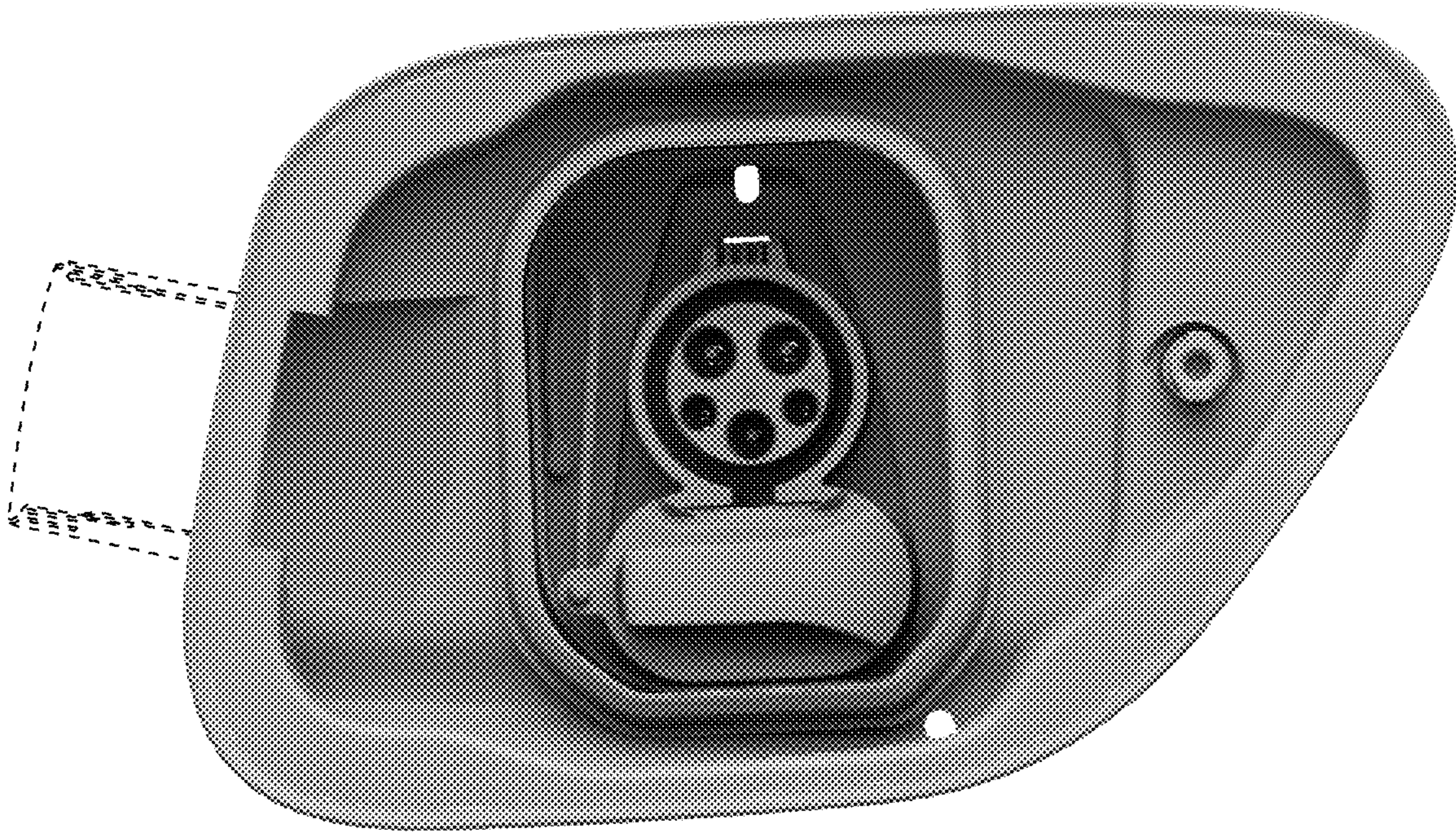
**1 Claim, 5 Drawing Sheets**



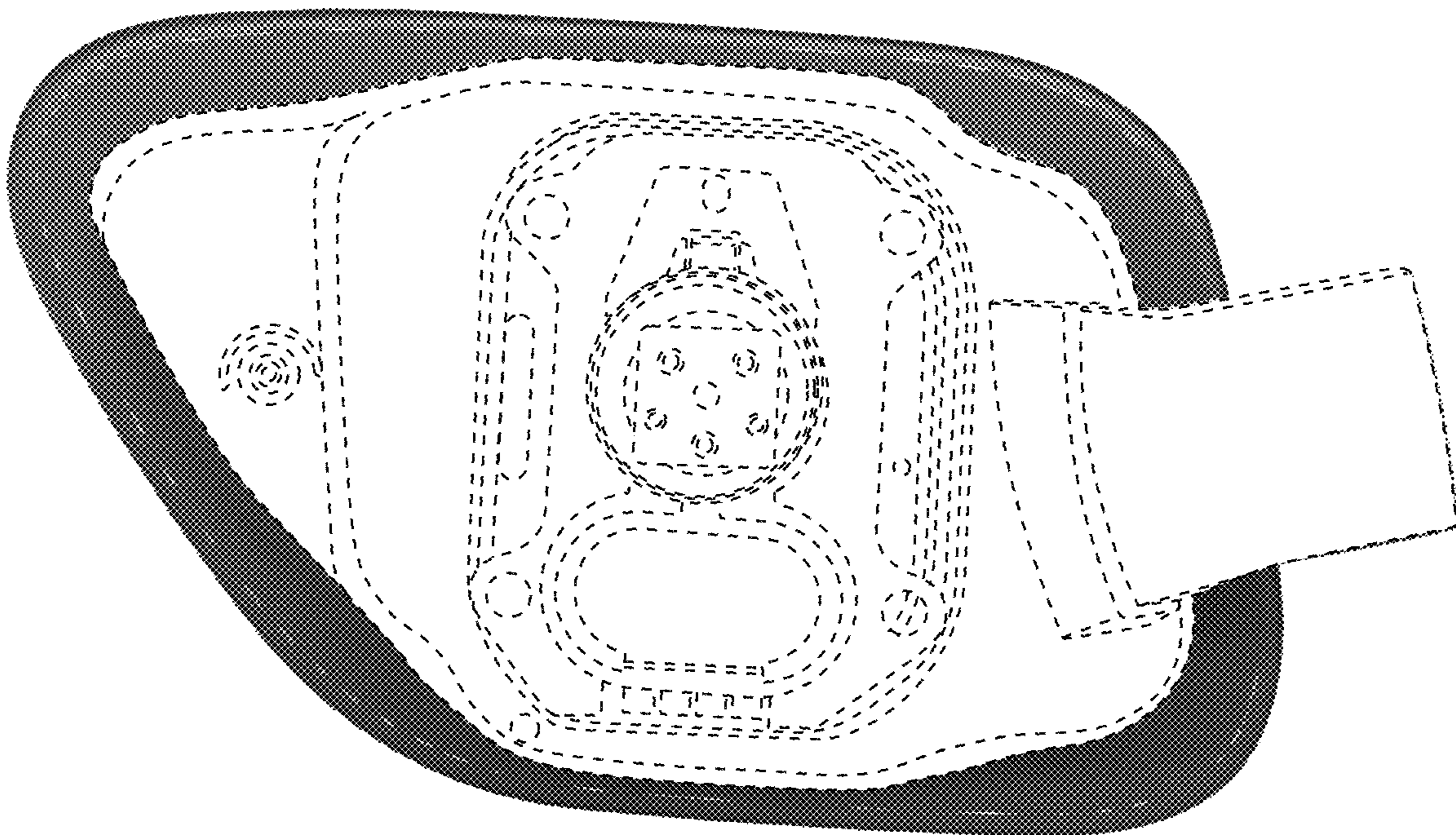
**FIG. 1**



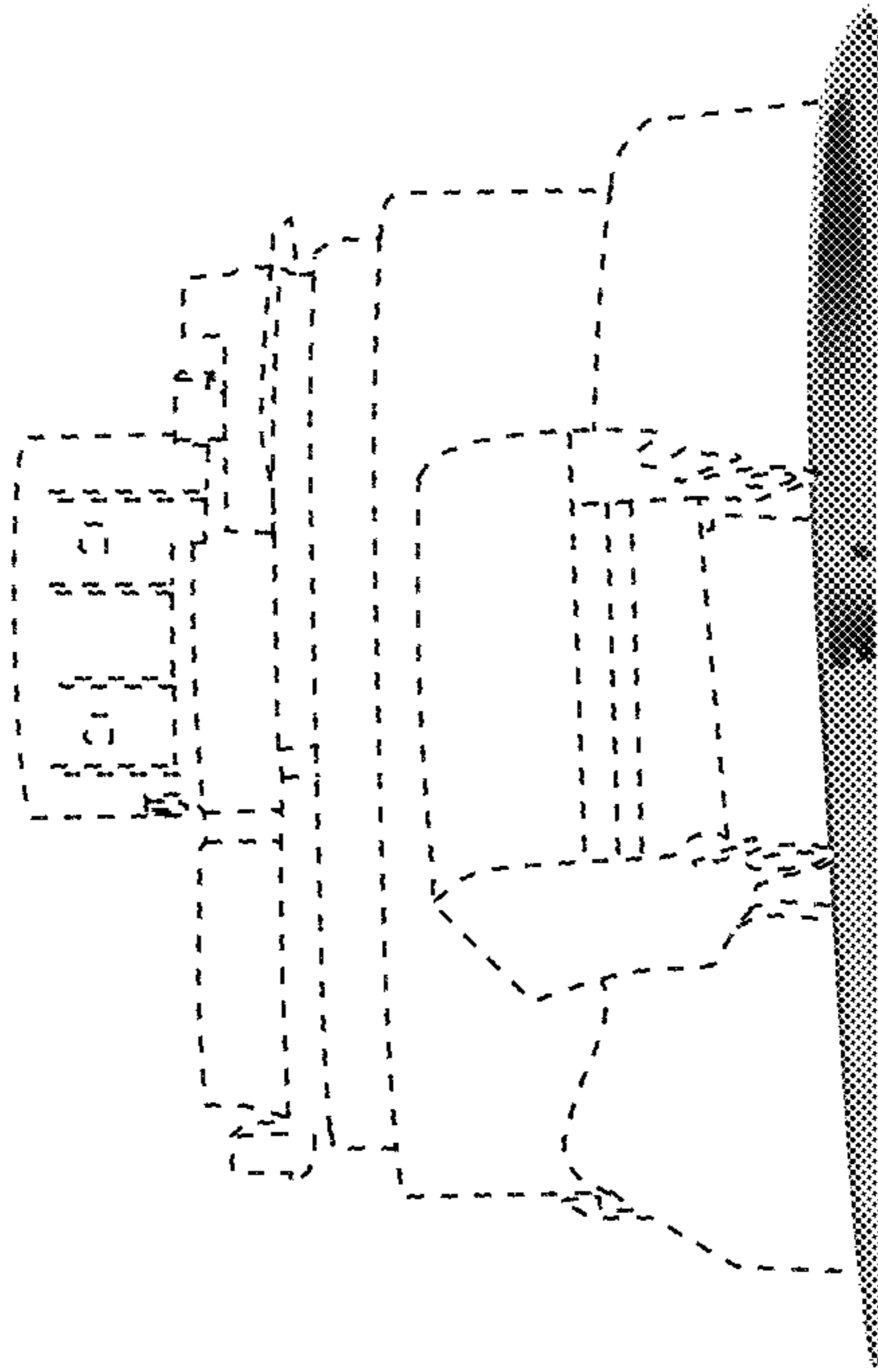
**FIG. 2**



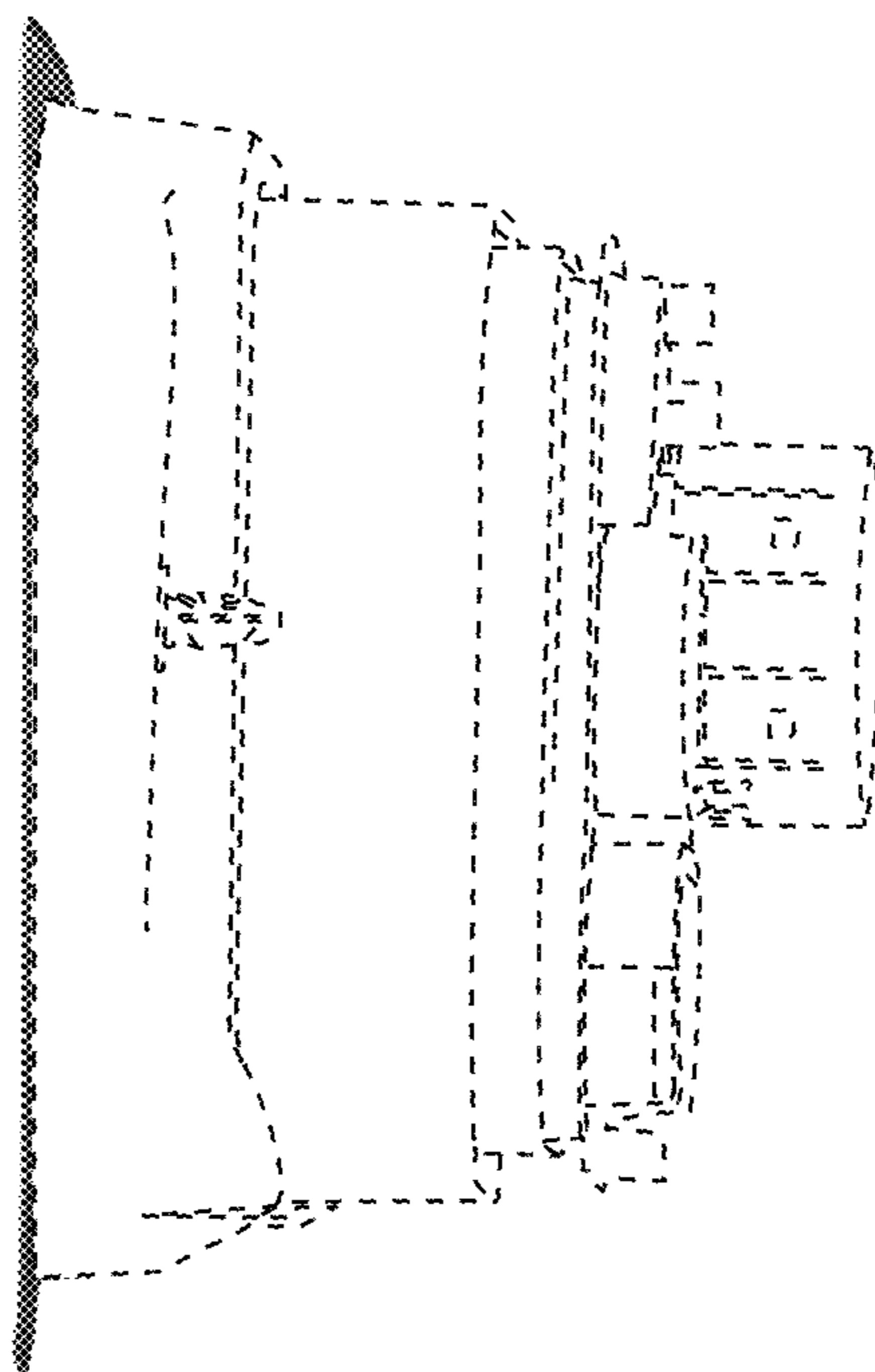
**FIG. 3**



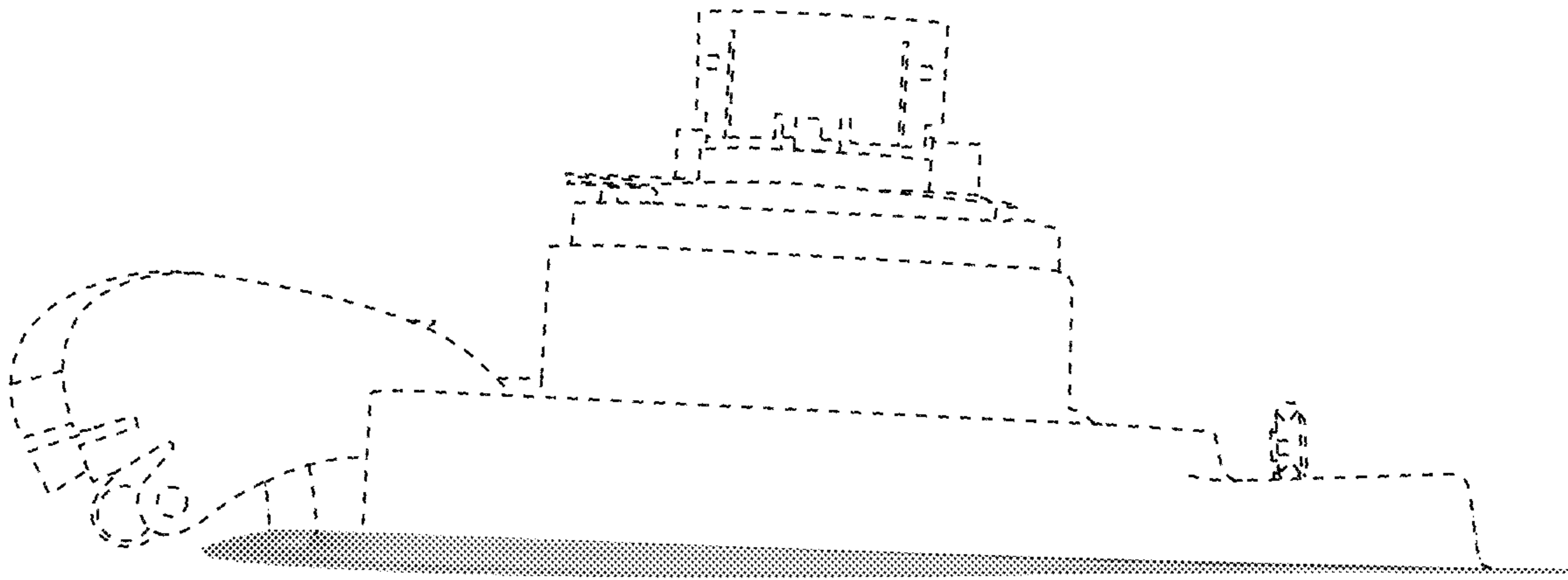
**FIG. 4**



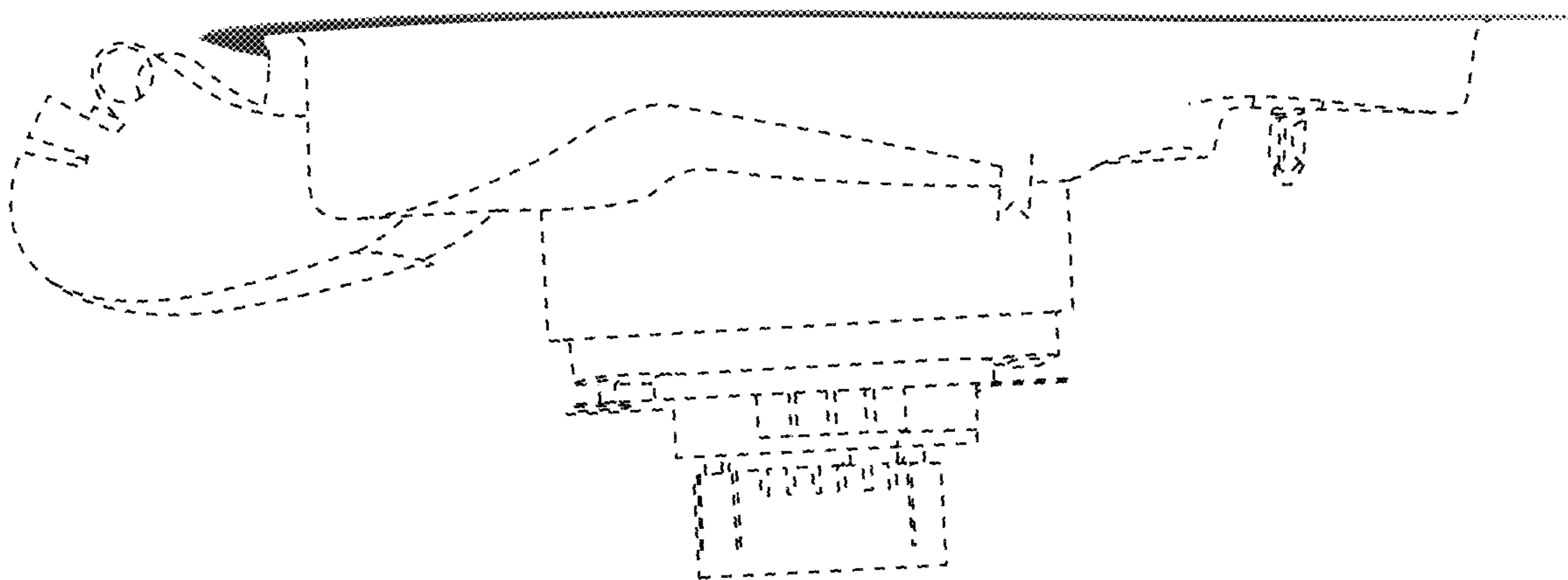
**FIG. 5**



**FIG. 6**



**FIG. 7**



**FIG. 8**

