



US00D931815S

(12) **United States Design Patent**
Hong

(10) **Patent No.:** **US D931,815 S**

(45) **Date of Patent:** **** Sep. 28, 2021**

(54) **CHARGER FOR WALKIE-TALKIE**

(71) Applicant: **Shaohua Hong**, Fujian (CN)

(72) Inventor: **Shaohua Hong**, Fujian (CN)

(**) Term: **15 Years**

(21) Appl. No.: **29/710,518**

(22) Filed: **Oct. 24, 2019**

(30) **Foreign Application Priority Data**

Jul. 4, 2019 (CN) 201930351914.6

(51) **LOC (13) Cl.** **13-03**

(52) **U.S. Cl.**
USPC **D13/138.1; D13/108**

(58) **Field of Classification Search**
USPC D13/101, 103, 107, 108, 109, 110, 117,
D13/118, 119, 120, 123, 133, 137.1,
D13/137.2, 137.4, 138.1, 138.2, 139.7,
D13/146, 153, 199; D14/137, 230, 233,
D14/234, 432, 433; D16/242, 243
CPC H01R 29/00; H01R 11/00; H01R 13/46
See application file for complete search history.

(56) **References Cited**

U.S. PATENT DOCUMENTS

5,744,934	A *	4/1998	Wu	H01R 13/6675 307/150
D394,641	S *	5/1998	Seragnoli	D13/108
D543,147	S *	5/2007	Ng	D13/138.1
D544,833	S *	6/2007	Sade	D13/108
D584,690	S *	1/2009	Hsiung	D13/138.1
D611,416	S *	3/2010	McGinley	D13/138.1
D654,020	S *	2/2012	Au	D13/108
D661,651	S *	6/2012	Smith	D13/138.1
D704,630	S *	5/2014	Liu	D13/108

D731,422	S *	6/2015	Aromin	D13/110
D821,971	S *	7/2018	Yang	D13/107
2011/0009003	A1 *	1/2011	Youssefi-Shams	H01R 13/71 439/628
2017/0170614	A1 *	6/2017	You	H01R 13/6276

OTHER PUBLICATIONS

“Home Travel Wall Charger”. Found online Feb. 4, 2021 at amazon.com. Reference dated May 13, 2013. Retrieved from <https://www.amazon.com/Travel-Charger-Adaptor-Micro-Extreme/dp/B01G02GIVQ?th=1>. (Year: 2013).*

“Samsung Travel Charger for Galaxy”. Found online Jan. 14, 2021 at amazon.com. Reference dated Apr. 30, 2014. Retrieved from https://www.amazon.com/Samsung-Micro-Travel-Charger-Galaxy/dp/B00K1I7VDA/ref=asc_df_B00K1I7VDA/. (Year: 2014).*

“Charger Power Cord”. Found online Feb. 22, 2021 at amazon.com. Reference dated Sep. 4, 2012. Retrieved from https://www.amazon.com/dp/B07CMR4YXY/ref=sspa_dk_detail_1. (Year: 2012).*

(Continued)

Primary Examiner — Kendra Leslie Hamilton

Assistant Examiner — Amanda Christensen

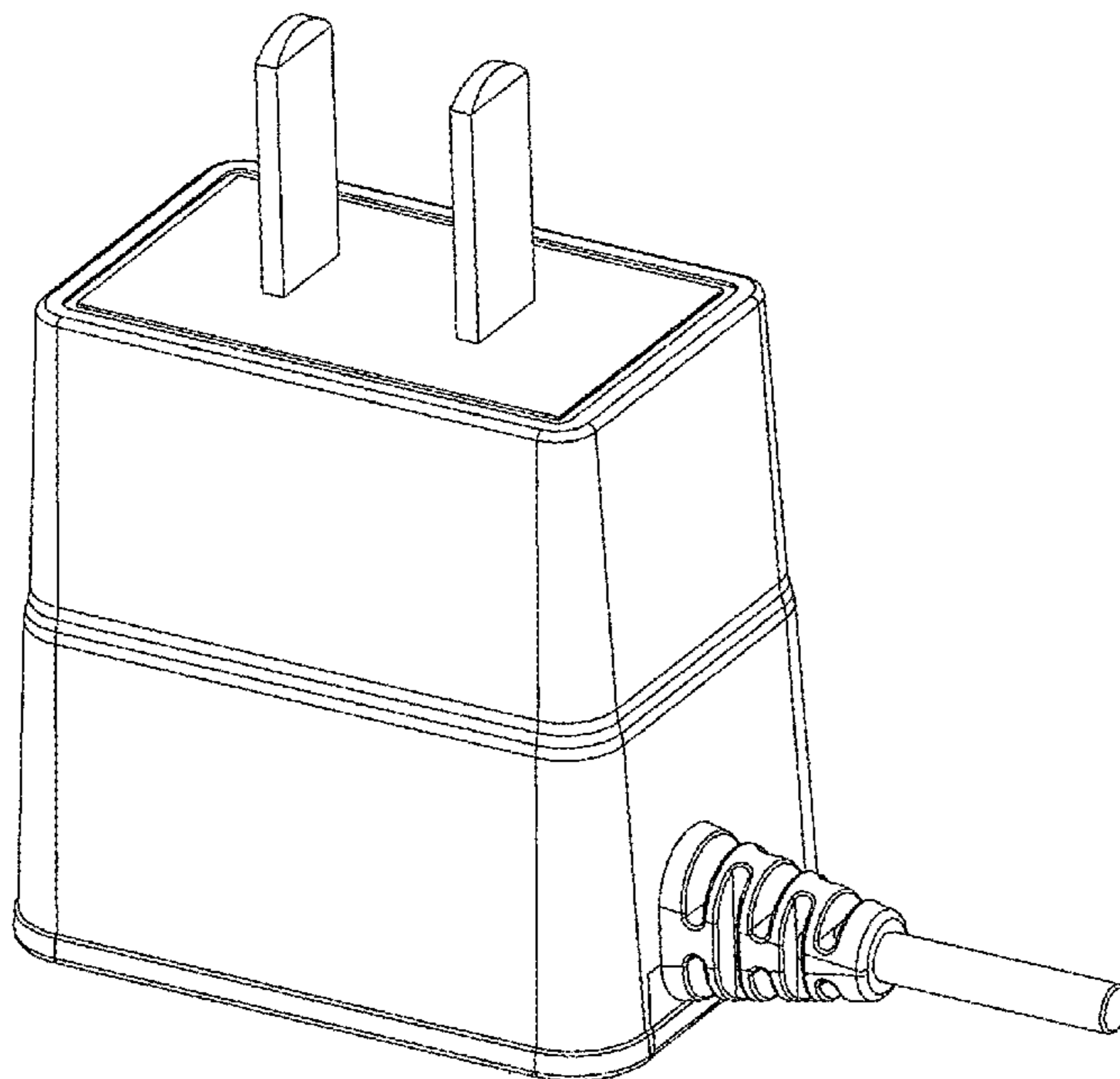
(57) **CLAIM**

The ornamental design for a charger for walkie-talkie, as shown and described.

DESCRIPTION

FIG. 1 is a front elevational view of a charger for walkie-talkie showing of my new design;
FIG. 2 is a rear elevational view thereof;
FIG. 3 is a left side elevational view thereof;
FIG. 4 is a right side elevational view thereof;
FIG. 5 is a top plan view thereof;
FIG. 6 is a bottom plan view thereof; and,
FIG. 7 is a top, front, right side perspective view thereof.
The broken lines depict portions of the charger for walkie-talkie that form no part of the claimed design.

1 Claim, 7 Drawing Sheets



(56)

References Cited

OTHER PUBLICATIONS

“Wall Charger for Midland X-Tra Talk”. Found online Jan. 28, 2021 at amazon.com. Reference dated Jan. 21, 2013. Retrieved from <https://www.amazon.com/Charger-Replacement-Midland-GXT1030VP4-GXT1050VP4/dp/B01N1TTSOC>. (Year: 2013).*

* cited by examiner

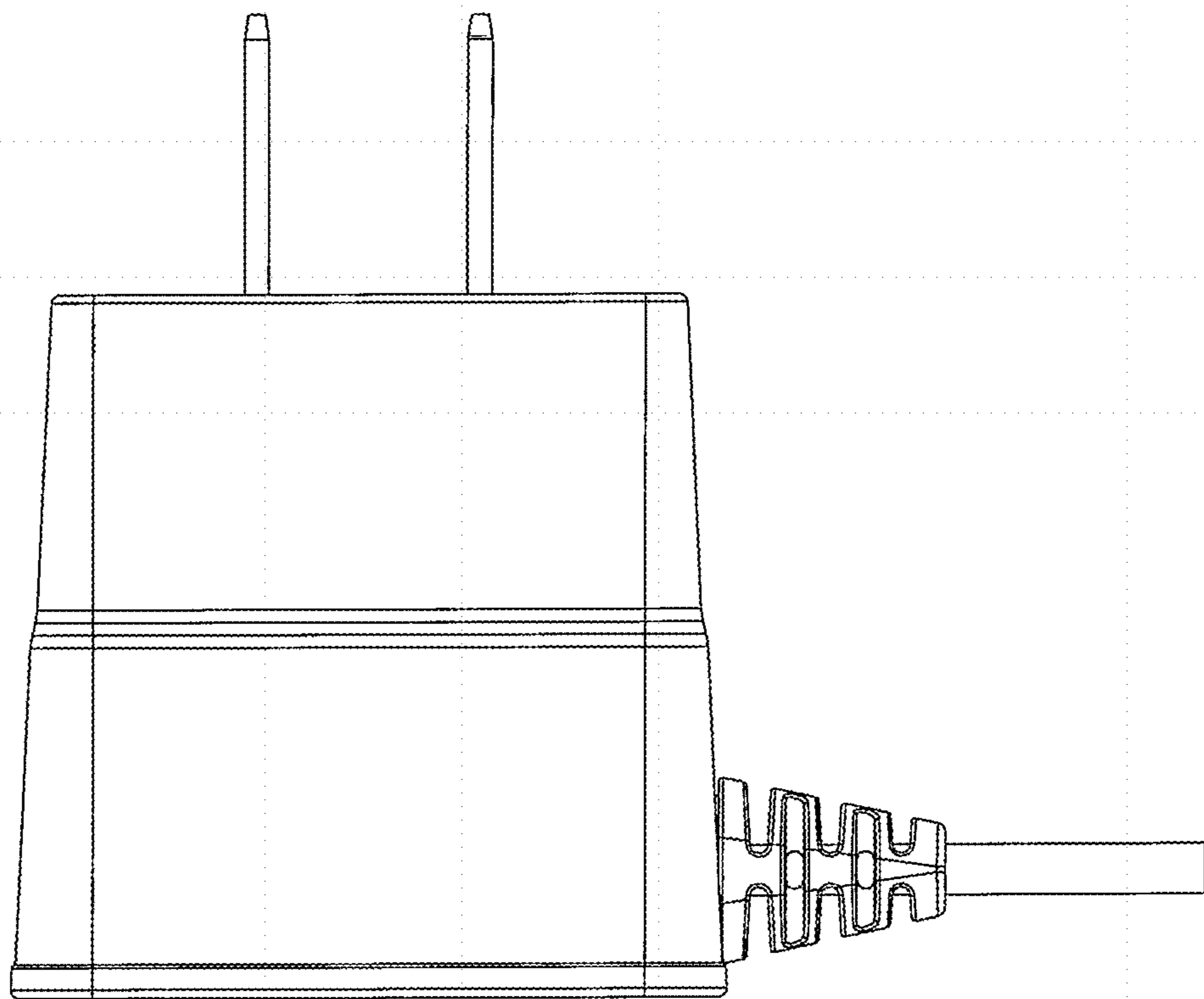


FIG. 1

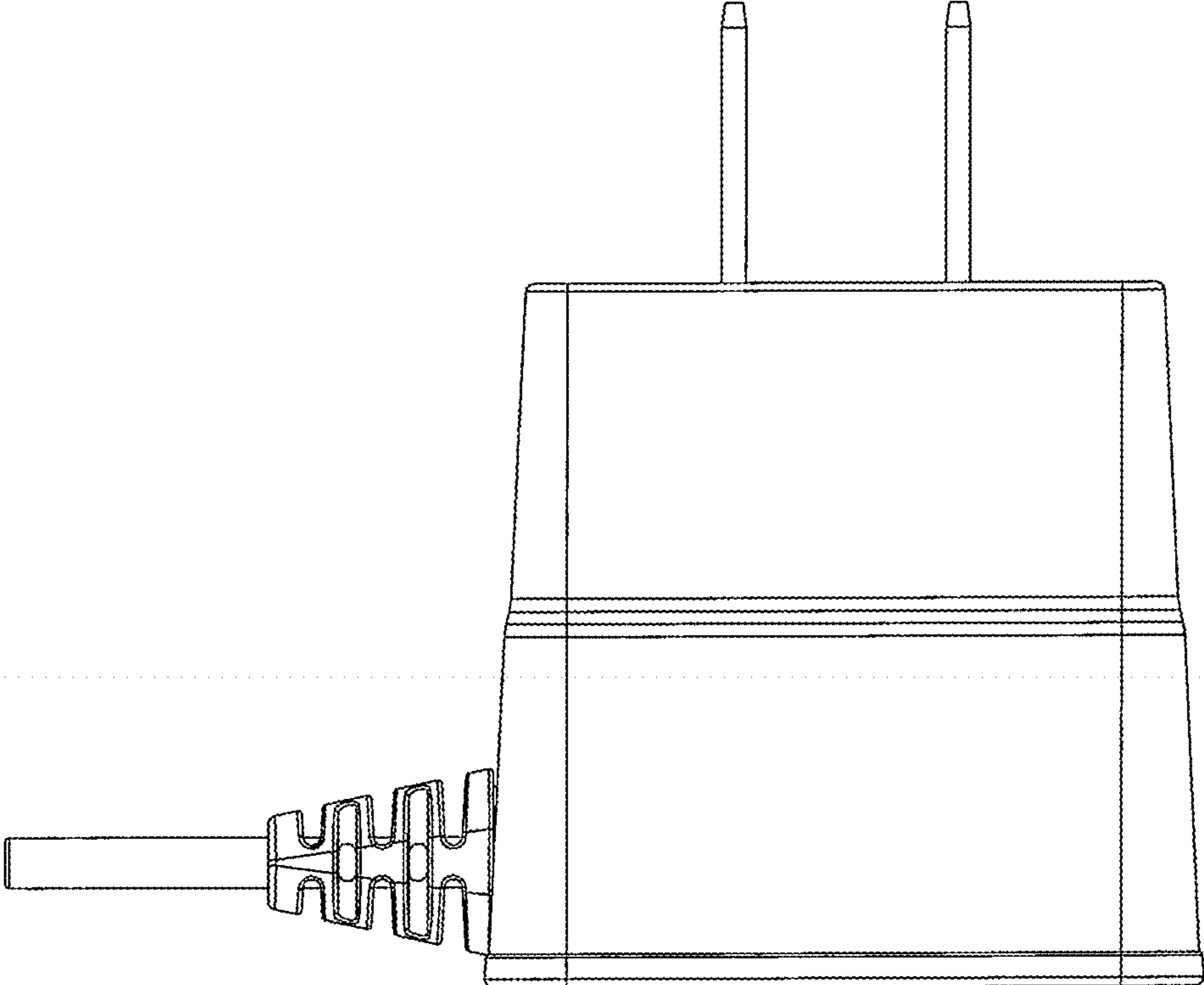


FIG. 2

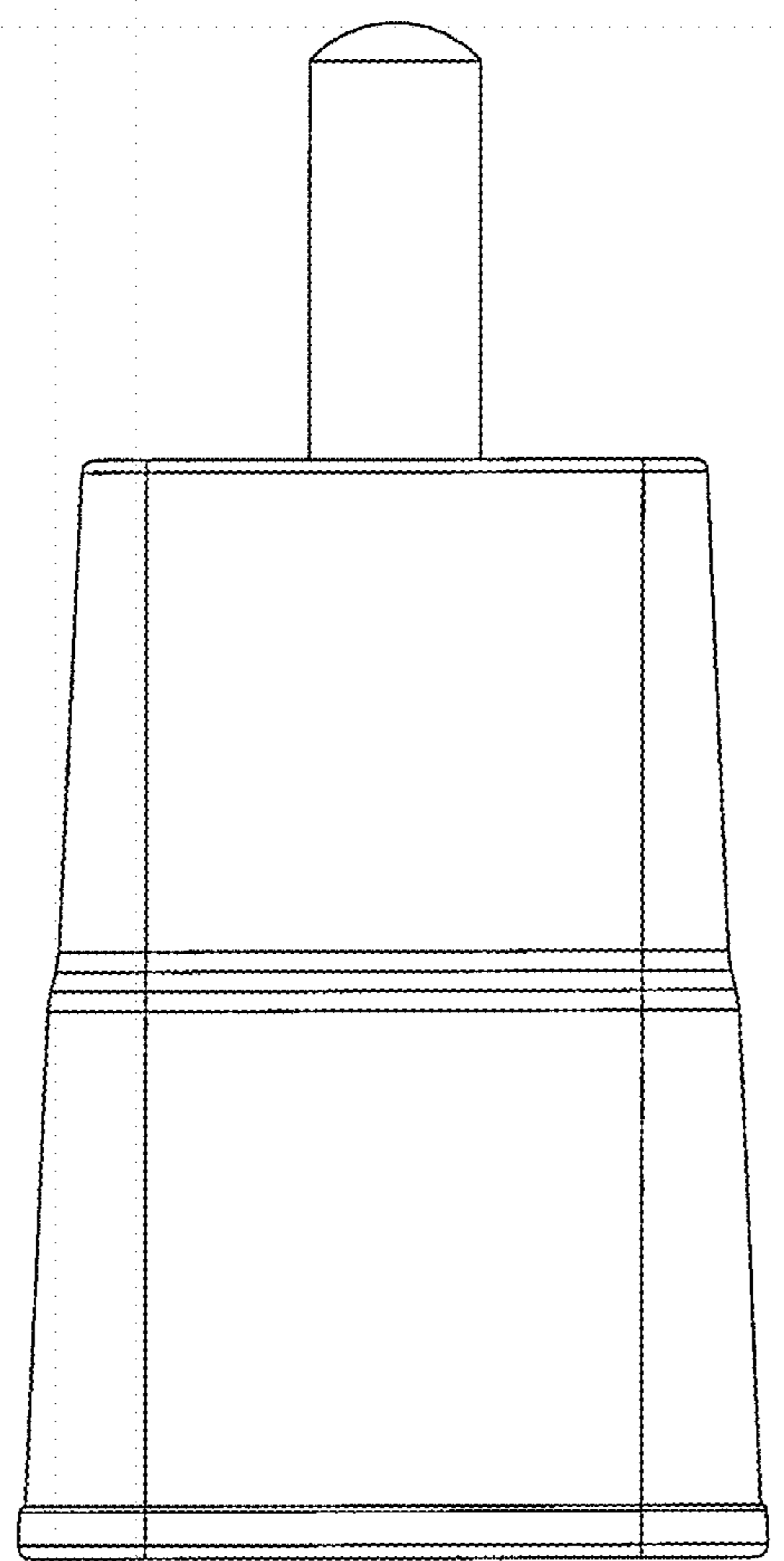


FIG. 3

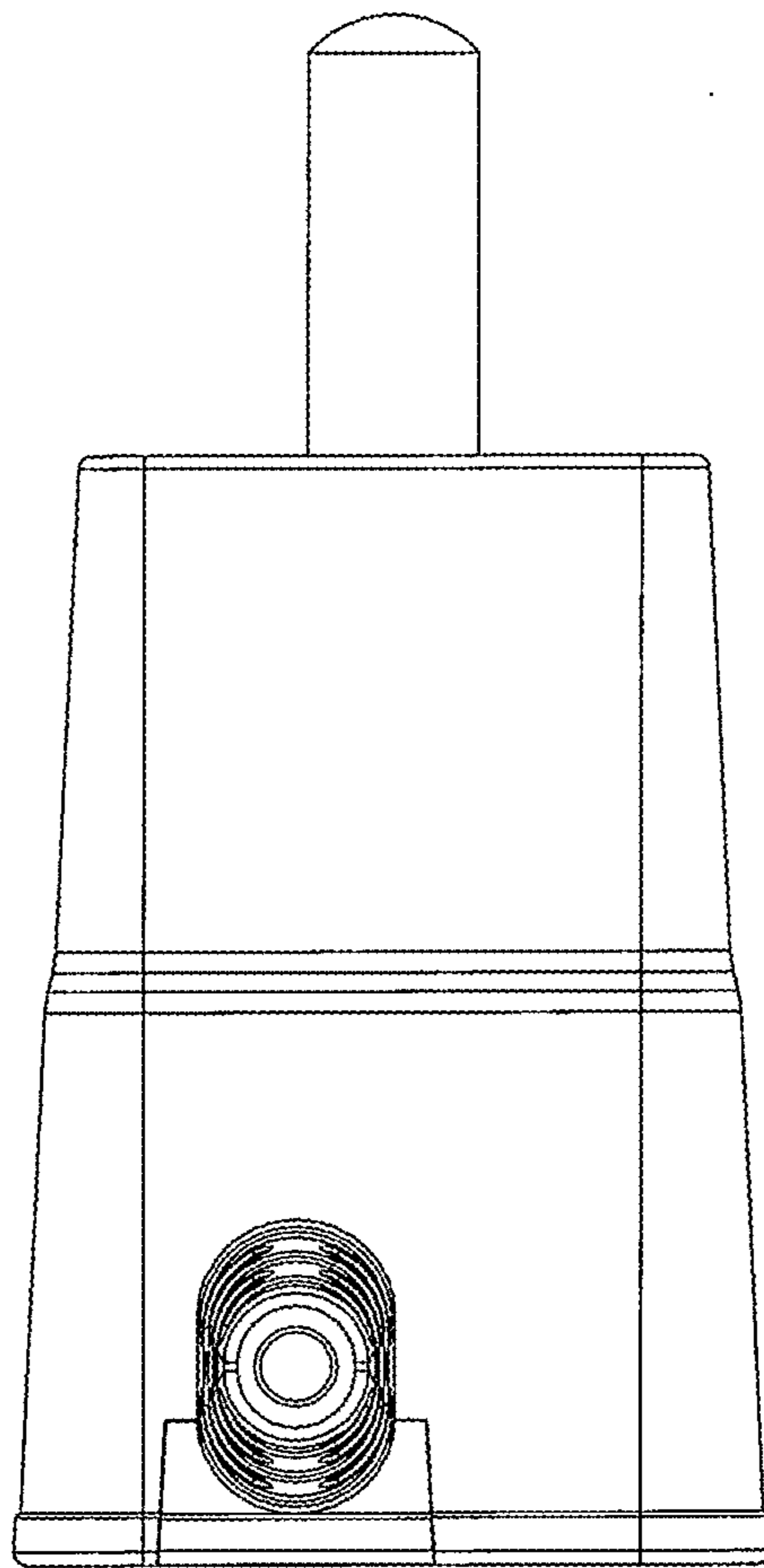


FIG. 4

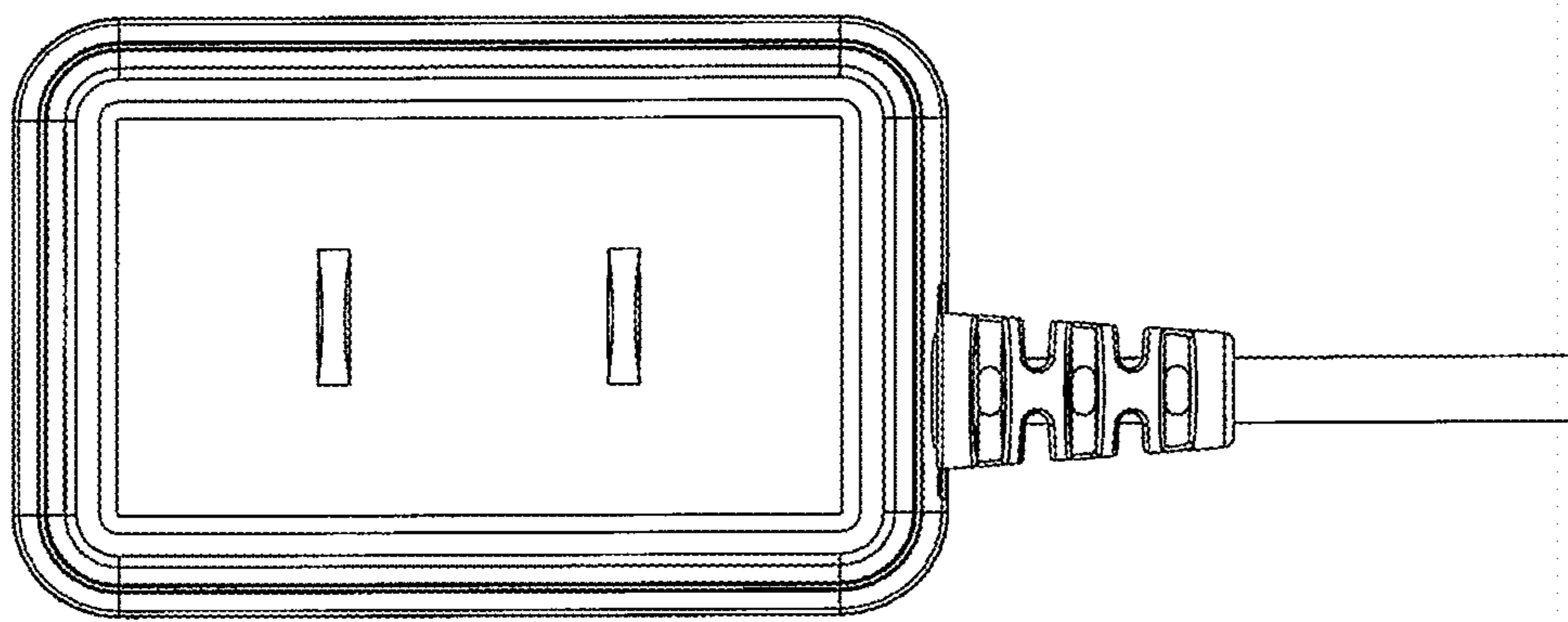


FIG. 5

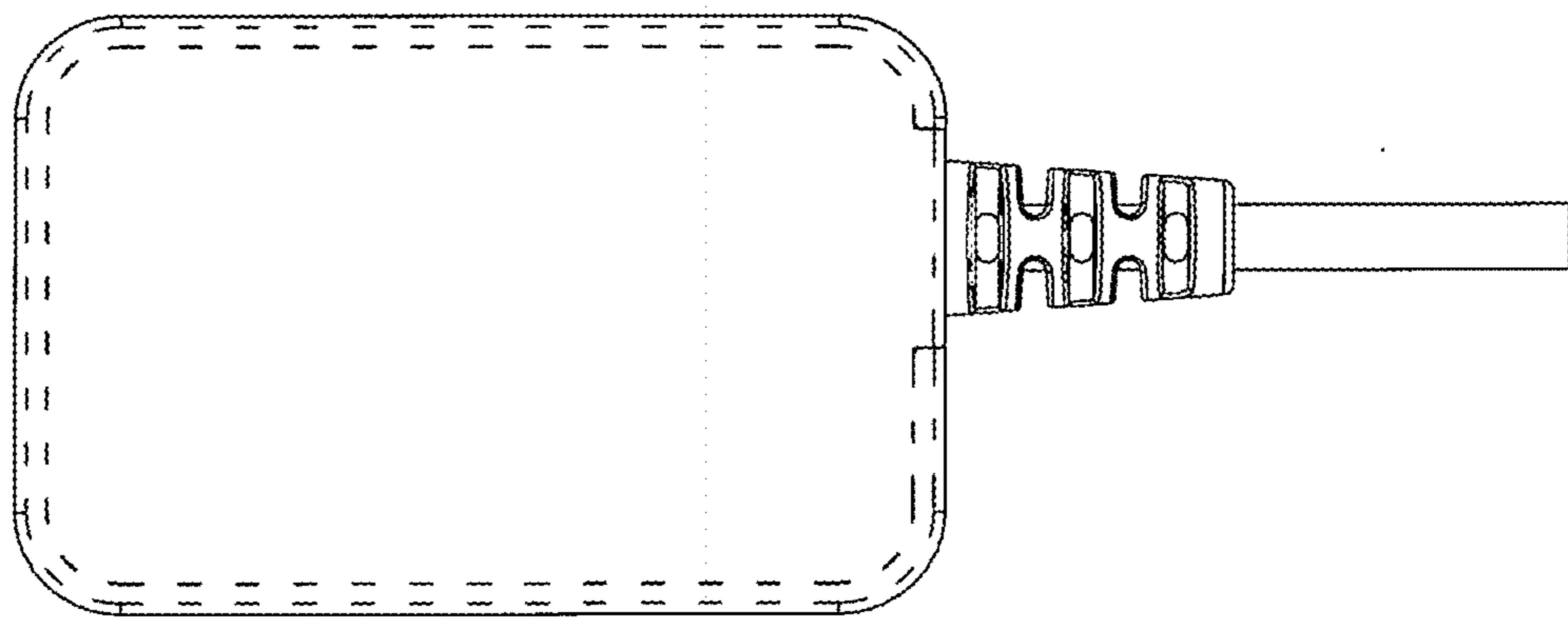


FIG. 6

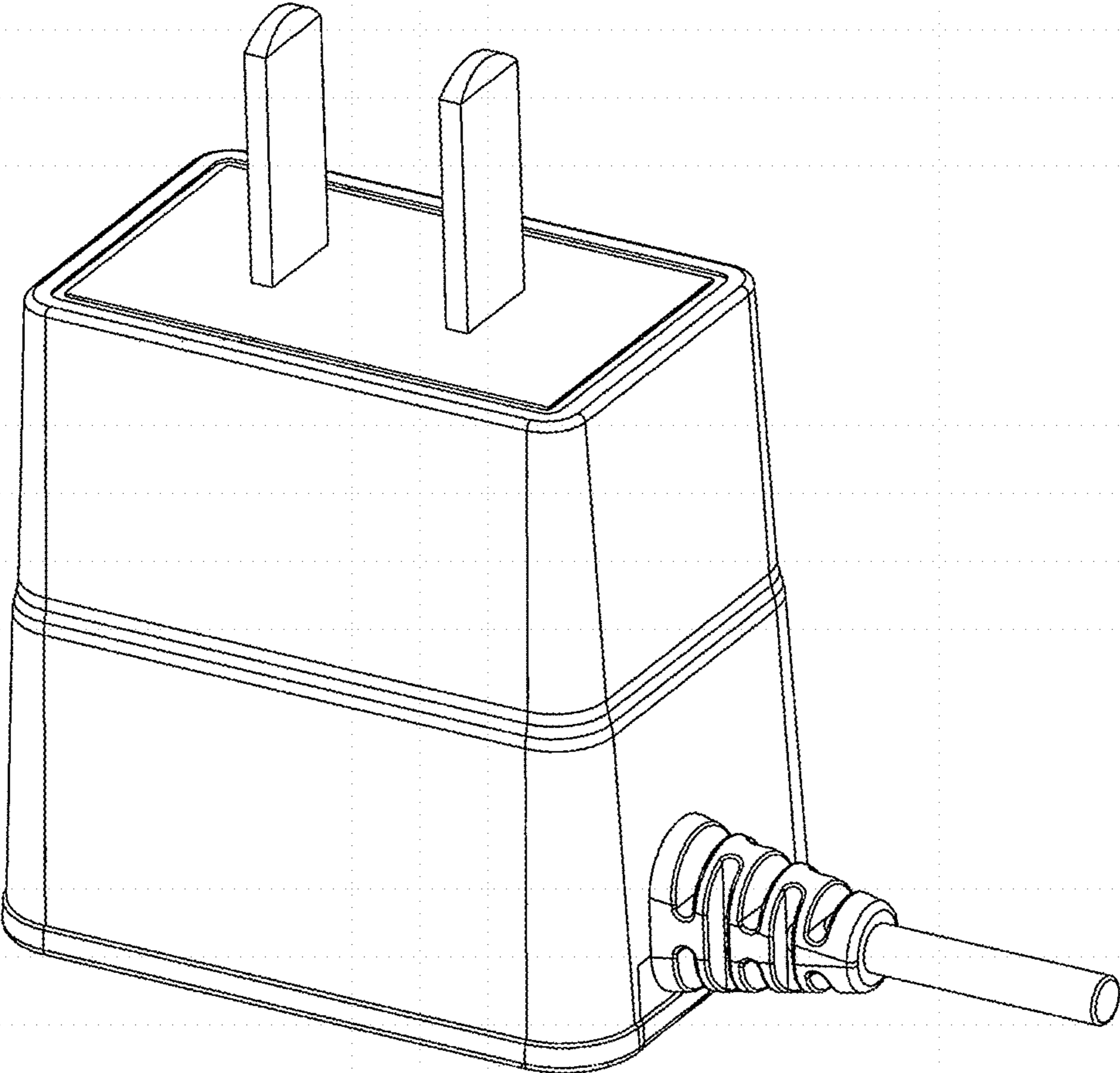


FIG. 7