



US00D931811S

(12) **United States Design Patent** (10) **Patent No.:** **US D931,811 S**
Bone (45) **Date of Patent:** **** Sep. 28, 2021**

- (54) **BATTERY TERMINAL CLAMP**
- (71) Applicant: **E-XTEQ Europe,**
Saint-Germain-de-la-Grange (FR)
- (72) Inventor: **M. Bruno Bone,** Nanterre (FR)
- (73) Assignee: **E-XTEQ Europe,**
Saint-Germain-de-la-Grange (FR)
- (**) Term: **15 Years**
- (21) Appl. No.: **29/694,493**
- (22) Filed: **Jun. 11, 2019**
- (51) **LOC (13) Cl.** **13-02**
- (52) **U.S. Cl.**
USPC **D13/120**
- (58) **Field of Classification Search**
USPC D13/118, 119, 120, 103, 151, 199;
D12/223
CPC H01R 11/24; H01R 11/281; H01R 11/283
See application file for complete search history.

- 5,435,759 A * 7/1995 Adams H01R 11/24
439/577
- D649,116 S * 11/2011 Nakatsuka D13/120
- D689,020 S * 9/2013 Demirjian D13/120
- D830,302 S * 10/2018 Toscani D13/120
- D889,411 S * 7/2020 Wang D13/120

* cited by examiner

Primary Examiner — Jennifer O King
(74) *Attorney, Agent, or Firm* — Young Basile Hanlon & MacFarlane, P.C.

(57) **CLAIM**

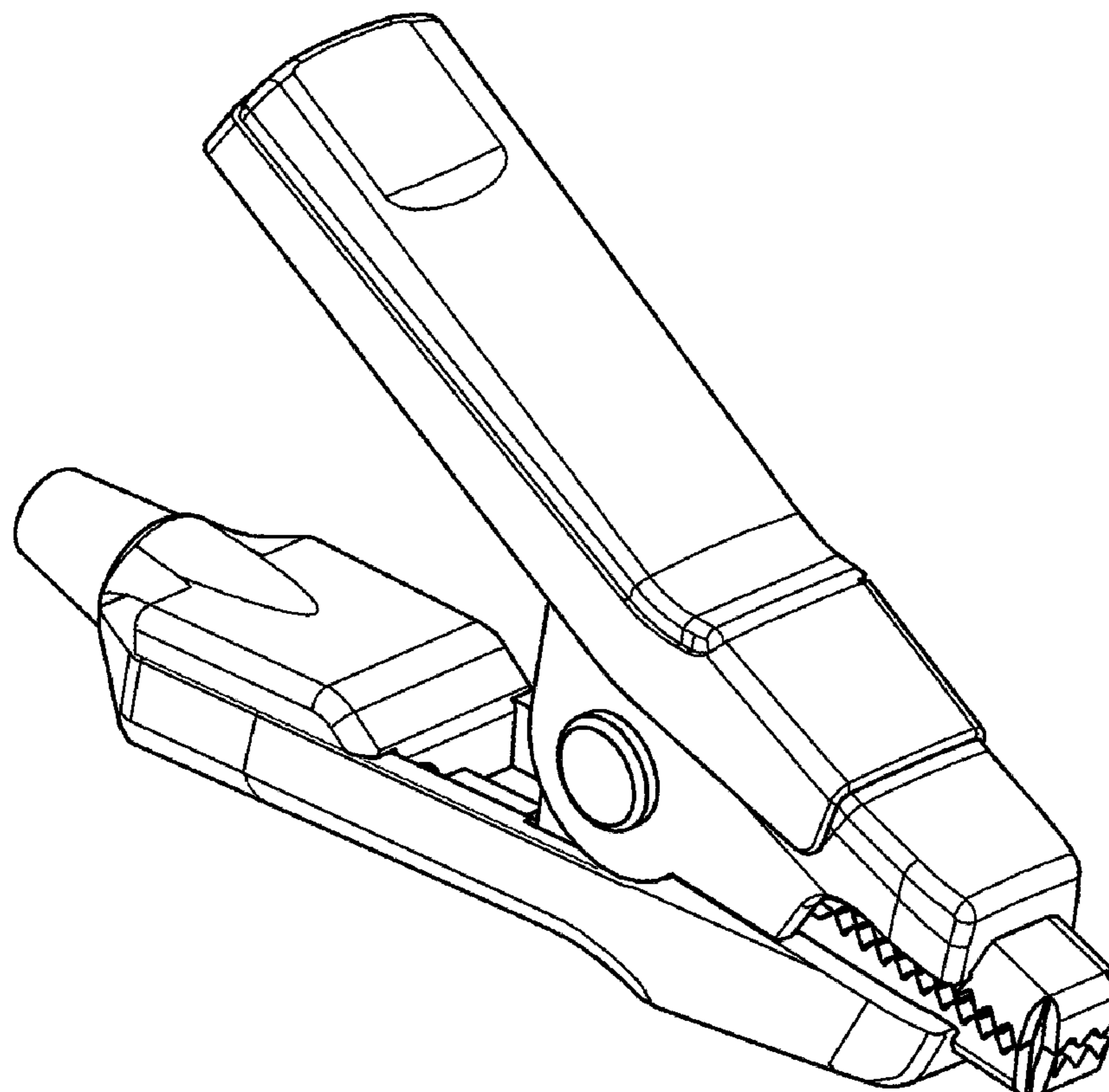
The ornamental design for a battery terminal clamp, as shown and described.

DESCRIPTION

FIG. 1 is front elevation view of the battery terminal clamp in a closed position.
 FIG. 2 is rear elevation view of the battery terminal clamp of FIG. 1.
 FIG. 3 is right side elevation view of the battery terminal clamp of FIG. 1.
 FIG. 4 is a left side elevation view of the battery terminal clamp of FIG. 1.
 FIG. 5 top view of the battery terminal clamp of FIG. 1.
 FIG. 6 is a bottom view of the battery terminal clamp of FIG. 1; and,
 FIG. 7 is an upper, front, right perspective view of the battery terminal clamp of FIG. 1.
 The broken lines shown represent portions of the battery terminal clamp that form no part of the claimed design.

1 Claim, 3 Drawing Sheets

- (56) **References Cited**
U.S. PATENT DOCUMENTS
4,057,313 A * 11/1977 Polizzano H01R 11/18
439/219
D258,818 S * 4/1981 Johnson D13/120
4,565,414 A * 1/1986 French H01R 11/24
439/241



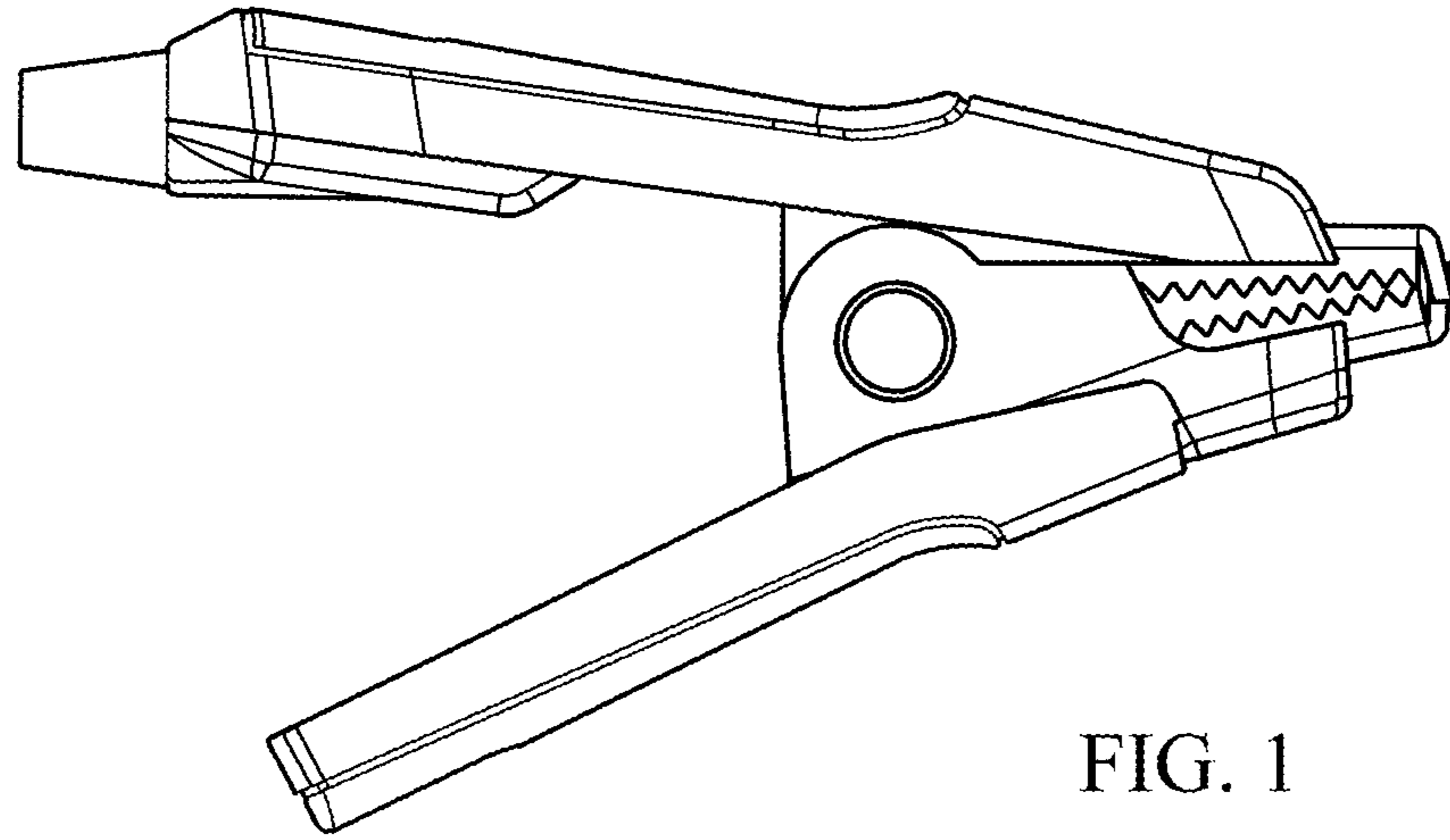


FIG. 1

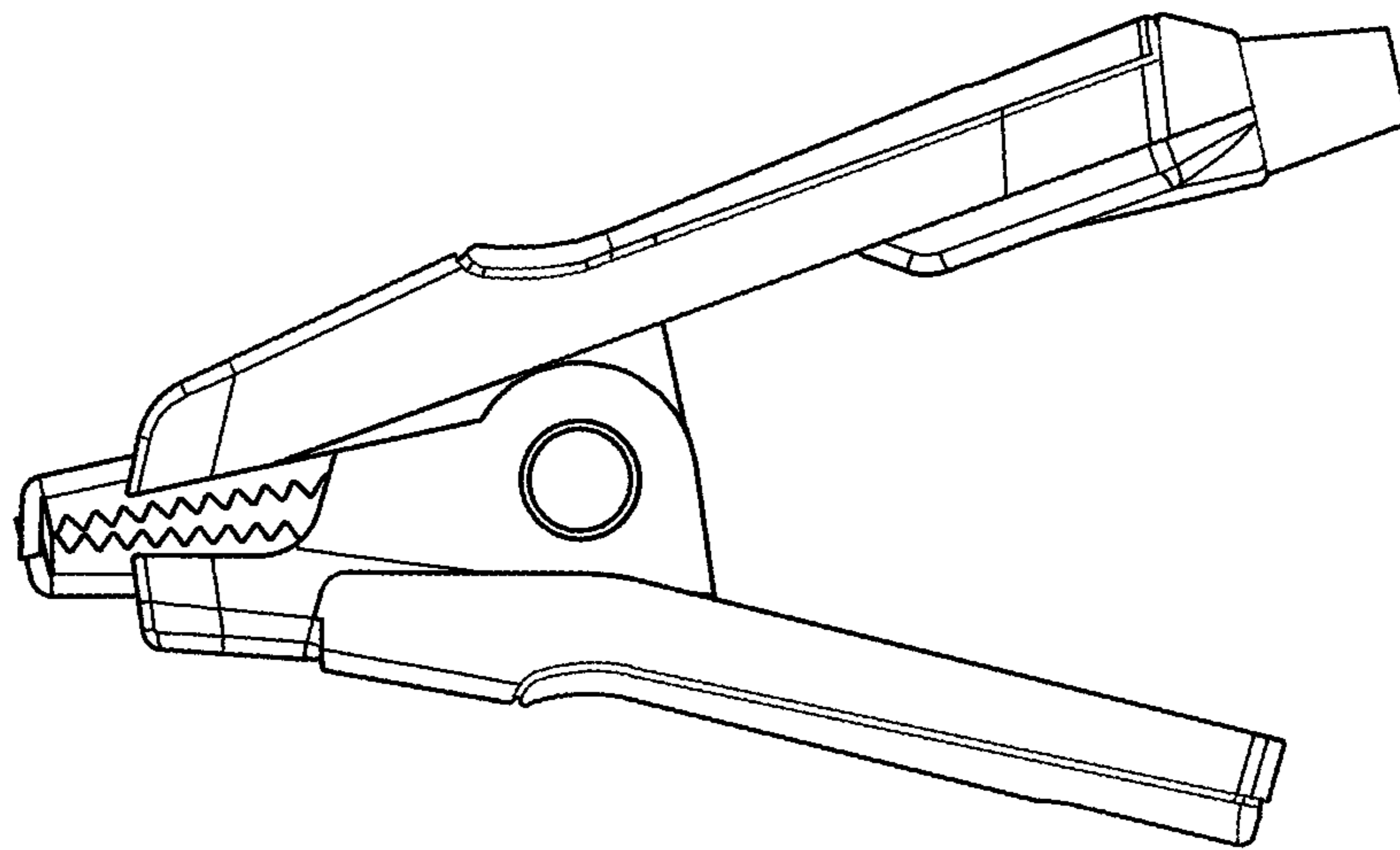


FIG. 2

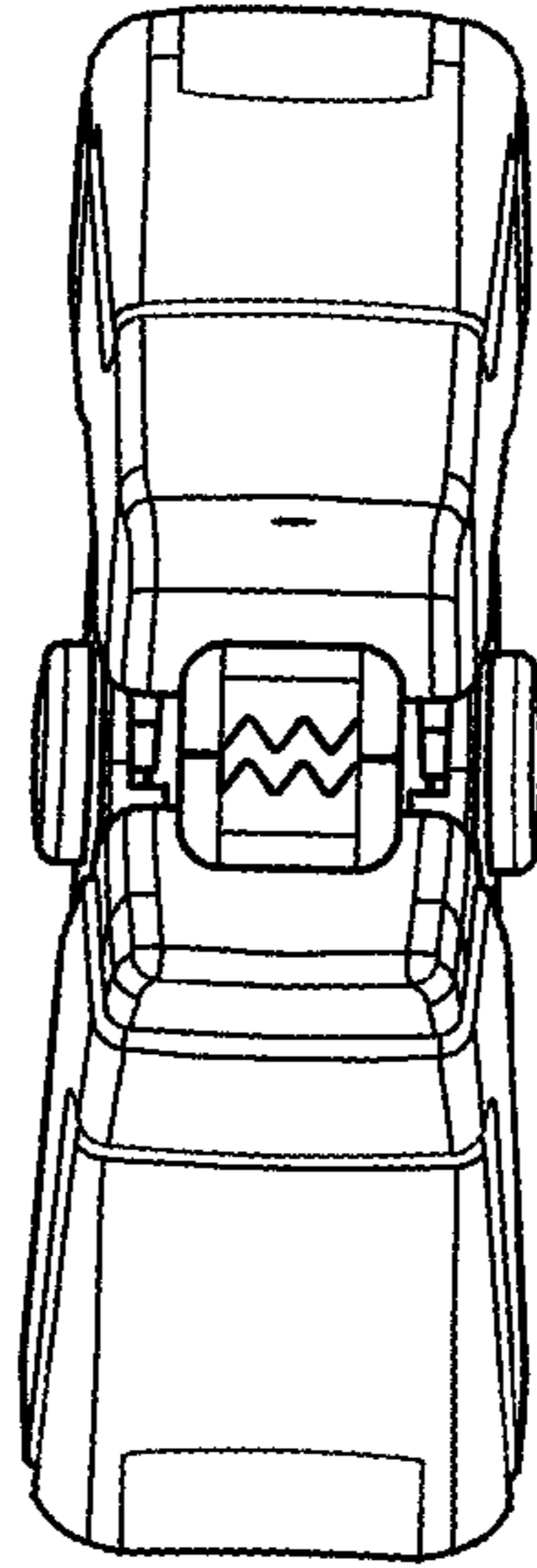


FIG. 3

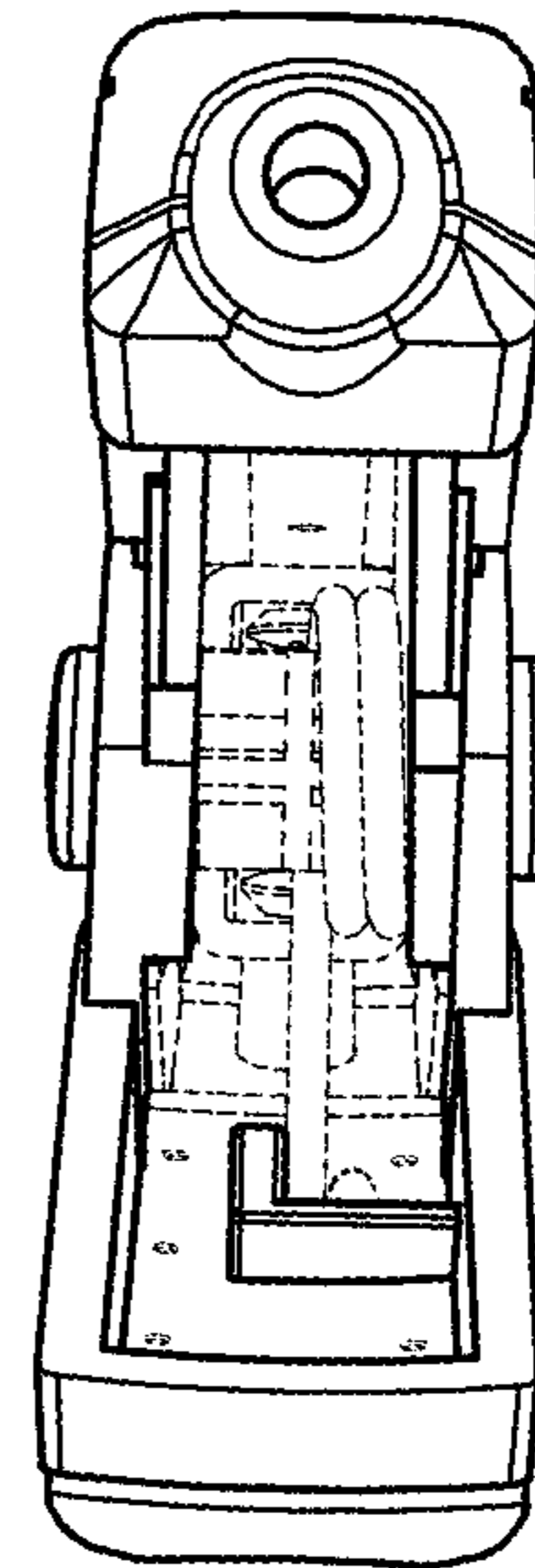


FIG. 4

FIG. 5

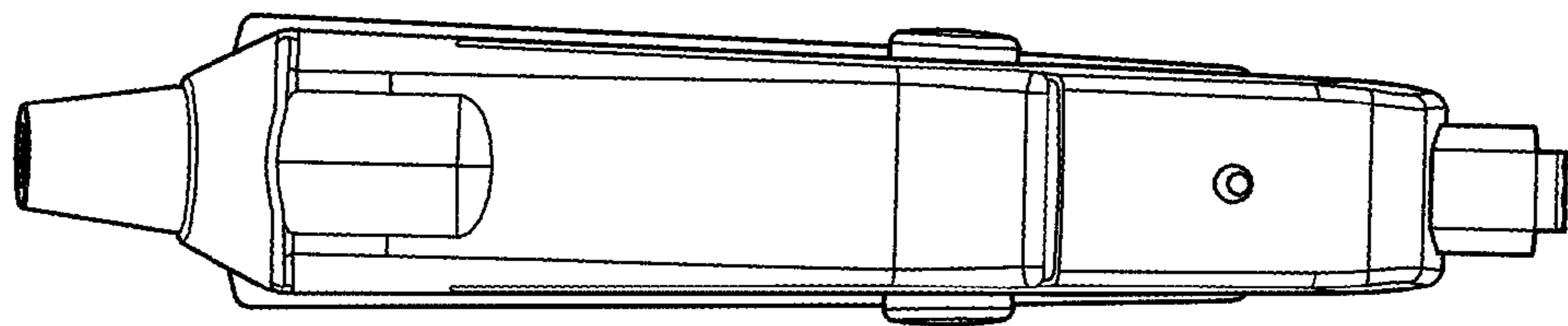
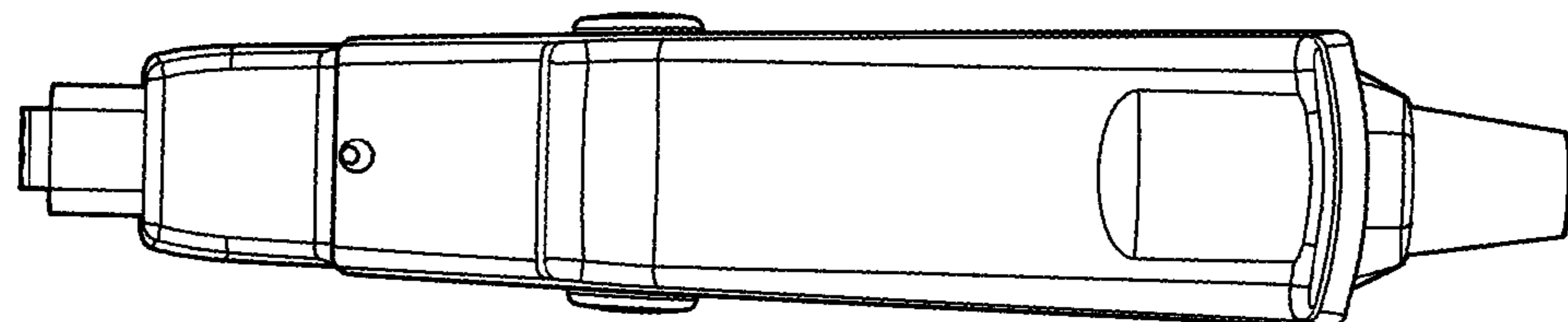


FIG. 6



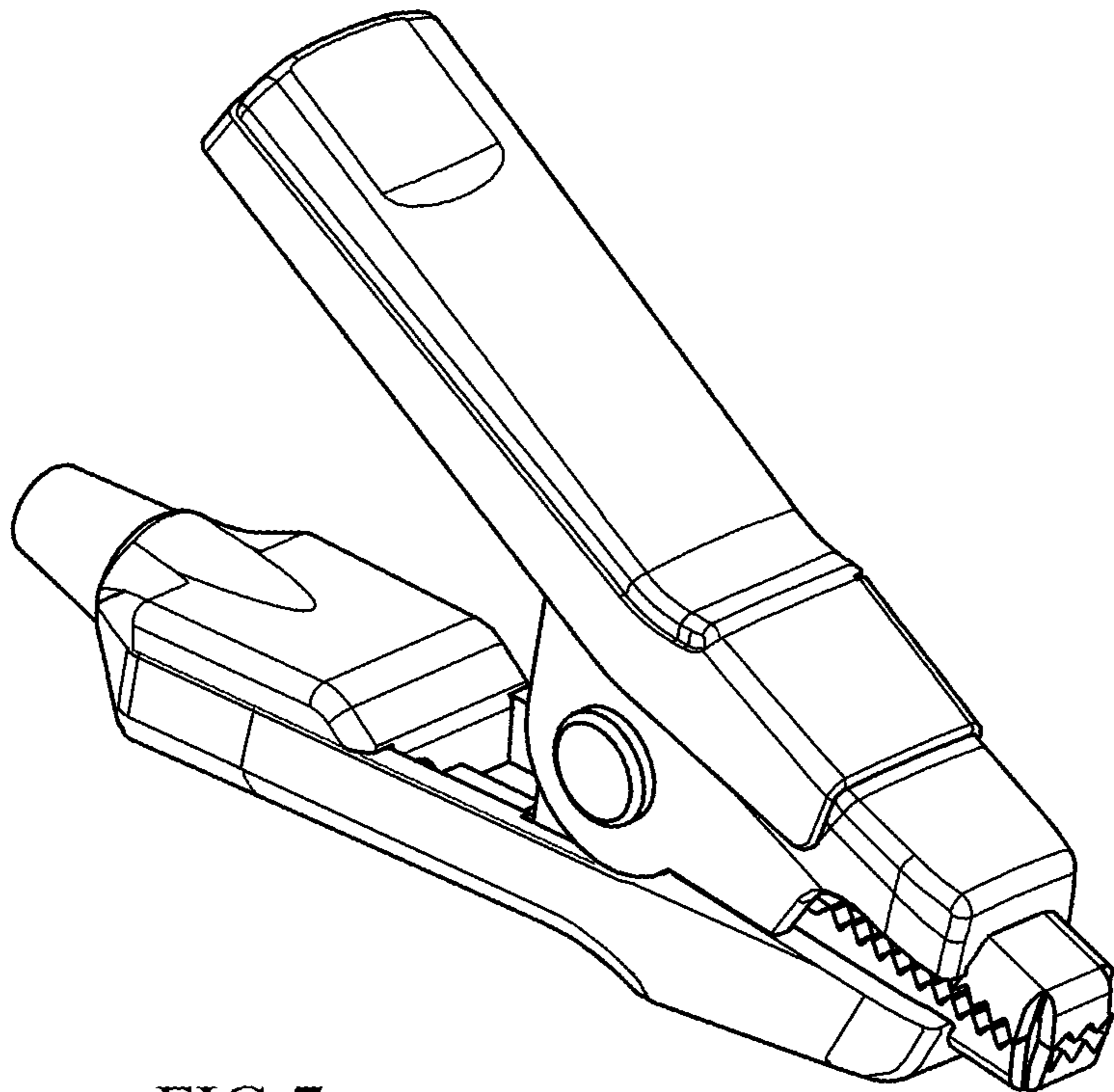


FIG. 7