



US00D931810S

(12) **United States Design Patent** (10) **Patent No.:** **US D931,810 S**
Luther et al. (45) **Date of Patent:** **** Sep. 28, 2021**

(54) **ELECTROPORATION GASKET**
(71) Applicant: **MaxCyte, Inc.**, Gaithersburg, MD (US)
(72) Inventors: **James William Luther**, Milan (IT);
Bertold Engler, Altensteig (DE);
Andrea Besana, Seveso (IT); **Thomas Alan Peach**, Milan (IT); **Frank Modica**, Silver Spring, MD (US);
Nicholas Chopas, Germantown, MD (US)

D600,207 S * 9/2009 Lumpkins D13/118
D626,511 S * 11/2010 Nakajima D13/147
D700,894 S * 3/2014 Feldstein D13/154
D708,147 S * 7/2014 Auguste D13/156
D791,084 S * 7/2017 Kim D13/153
2012/0004144 A1* 1/2012 Perroud C12M 35/02
506/39
2013/0224998 A1* 8/2013 Feldstein H01R 13/6596
439/607.01

(73) Assignee: **MaxCyte, Inc.**, Gaithersburg, MD (US)

(**) Term: **15 Years**

(21) Appl. No.: **29/734,307**

(22) Filed: **May 11, 2020**

(51) **LOC (13) Cl.** **13-02**

(52) **U.S. Cl.**
USPC **D13/118**

(58) **Field of Classification Search**
USPC D13/101, 110, 118, 123, 133, 147, 154,
D13/156, 184, 199; D23/269, 386, 387;
D24/206, 216, 233
CPC H01R 27/00; H01R 4/66; H01R 11/05;
H01R 11/22; H01R 12/50; H01R 12/70;
C12M 35/02
See application file for complete search history.

(56) **References Cited**

U.S. PATENT DOCUMENTS

D289,078 S * 3/1987 Vassallo D23/269
4,754,101 A * 6/1988 Stickney H05K 9/0032
174/383
D331,739 S * 12/1992 Sato D13/147
6,089,883 A * 7/2000 McHugh H01R 23/6873
439/108

OTHER PUBLICATIONS

<https://akron-gasket.com/> Akron gasket and packing enterprises, Jan. 1, 2017 (Year: 2017).*

* cited by examiner

Primary Examiner — Derrick E Holland
(74) *Attorney, Agent, or Firm* — Finnegan, Henderson, Farabow, Garrett & Dunner, LLP

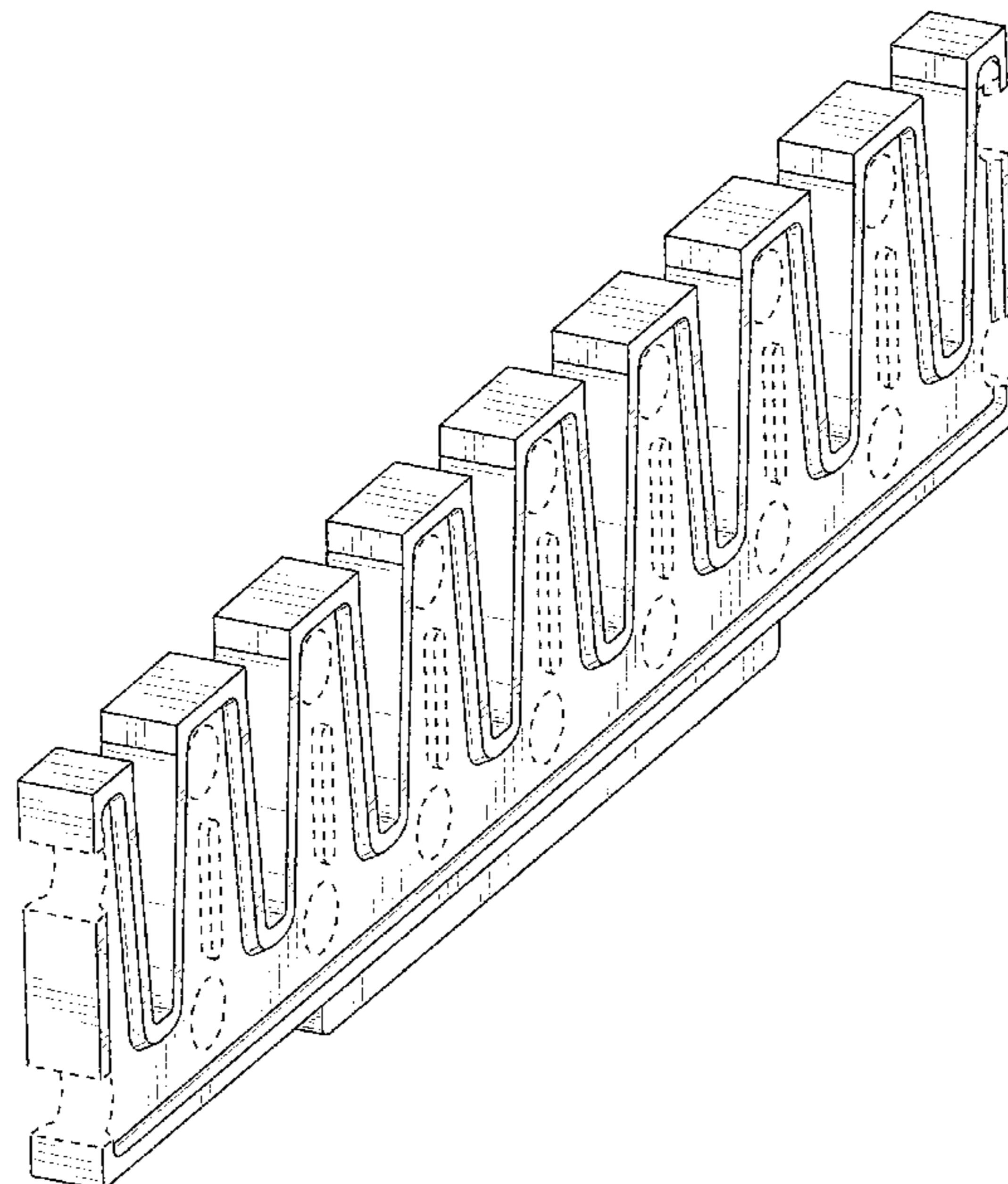
(57) **CLAIM**

The ornamental design for an electroporation gasket, as shown and described.

DESCRIPTION

FIG. 1 is a front, top, left perspective view of an electroporation gasket, showing the new design;
FIG. 2 is a rear, bottom, right perspective thereof;
FIG. 3 is a front view thereof;
FIG. 4 is a left view thereof;
FIG. 5 is a top view thereof; and,
FIG. 6 is a bottom view thereof.
The broken lines of uneven length illustrate the boundary of the claimed design and form no part thereof. The broken lines of even length depict portions of the electroporation device that form no part of the claimed design.

1 Claim, 6 Drawing Sheets



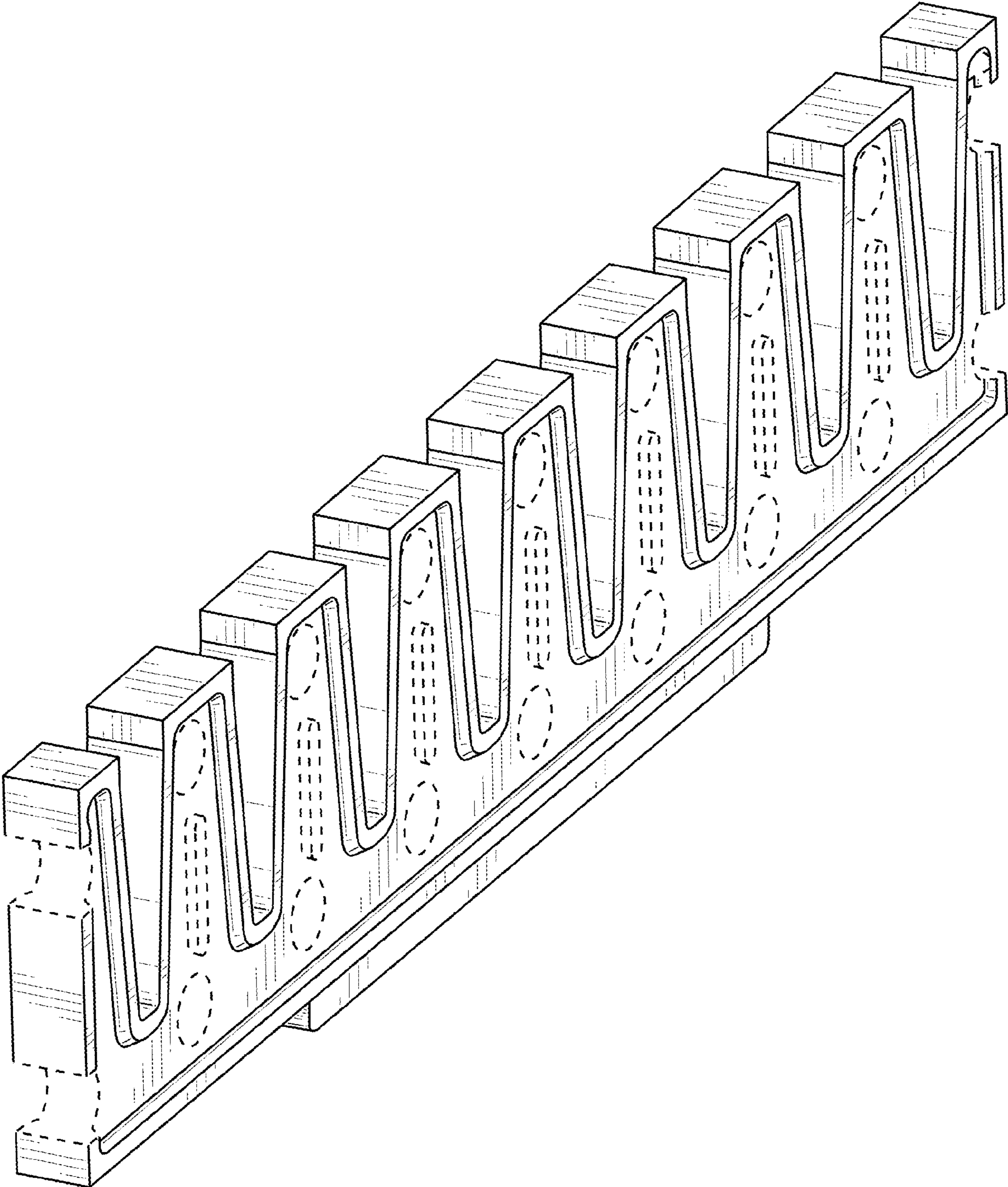


FIG. 1

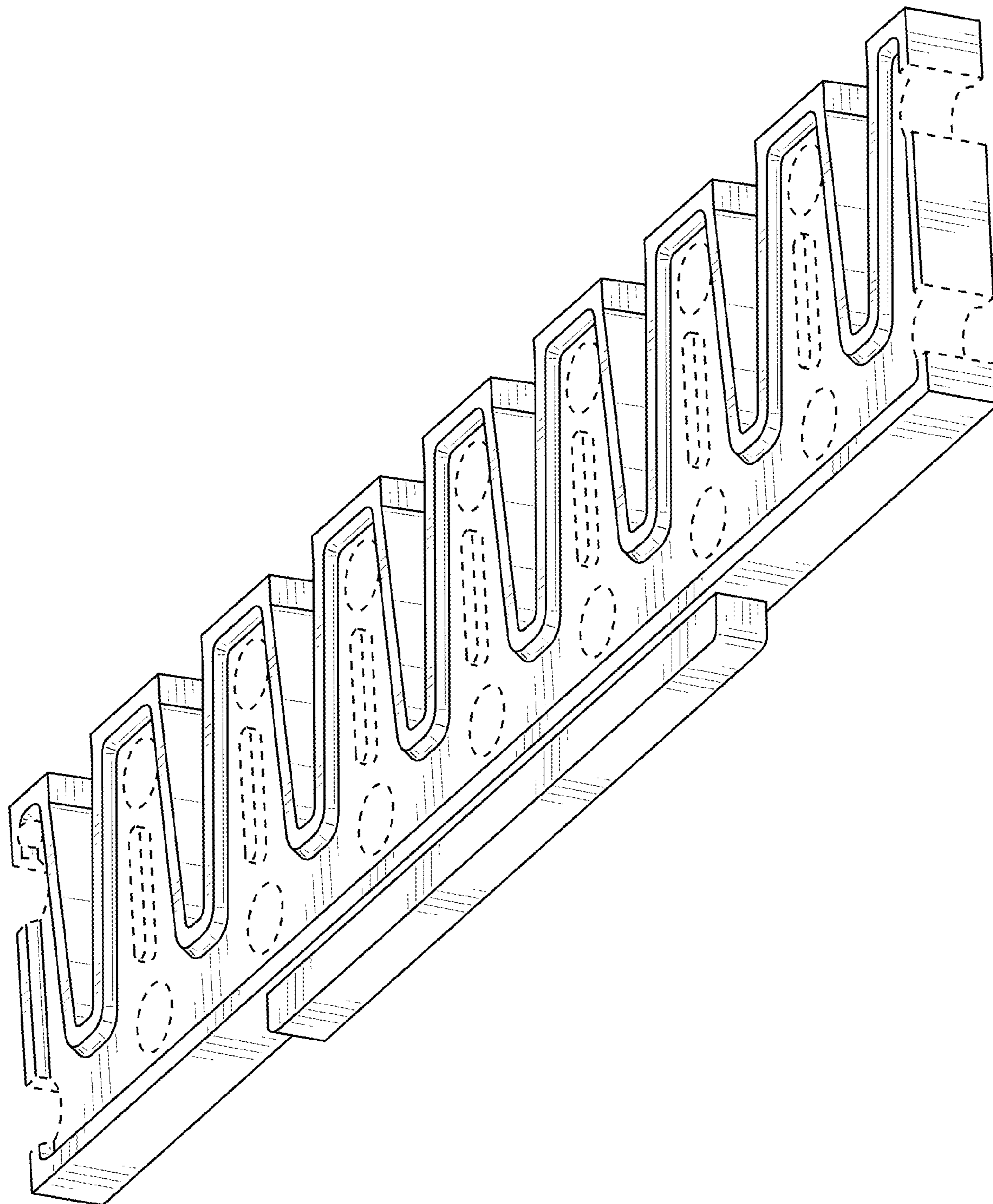


FIG. 2

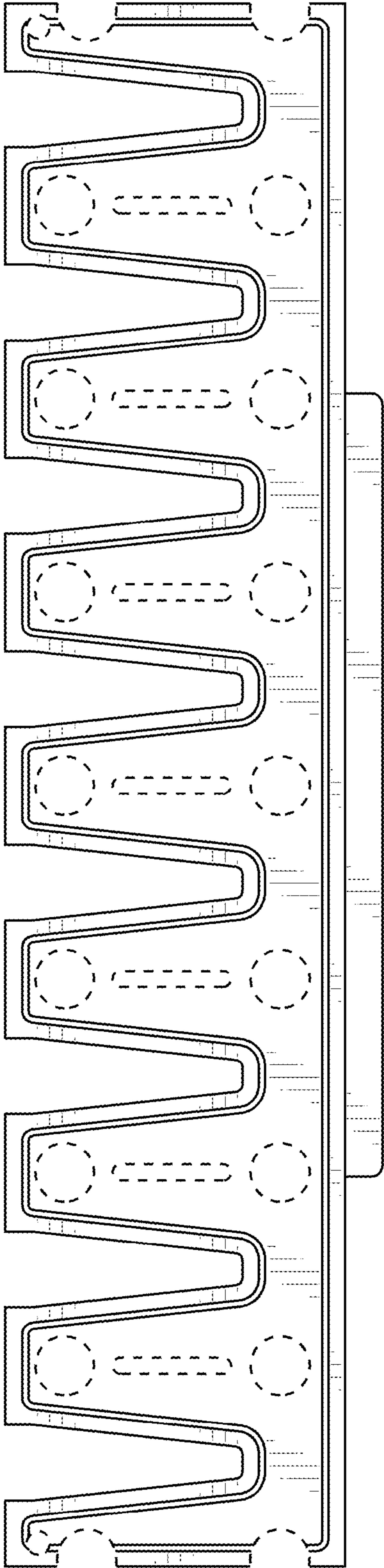


FIG. 3

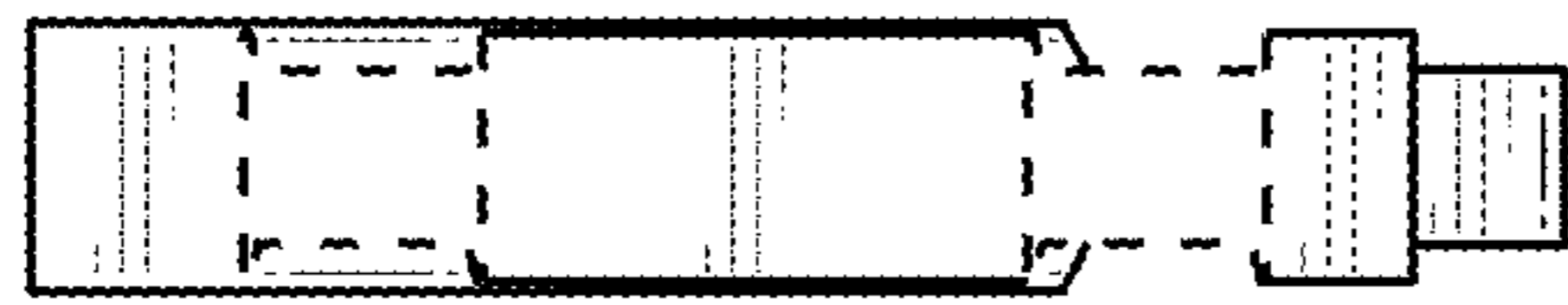


FIG. 4



FIG. 5



FIG. 6