



US00D931809S

(12) **United States Design Patent**
Menci

(10) **Patent No.:** **US D931,809 S**

(45) **Date of Patent:** **** Sep. 28, 2021**

(54) **INVERTER**

(71) Applicant: **ABB Schweiz AG**, Baden (CH)

(72) Inventor: **Loris Menci**, Castiglion Fiorentino (IT)

(73) Assignee: **MARICI HOLDINGS THE NETHERLANDS B.V.**, Rotterdam (NL)

(**) Term: **15 Years**

(21) Appl. No.: **29/730,048**

(22) Filed: **Apr. 1, 2020**

(30) **Foreign Application Priority Data**

Oct. 10, 2019 (EM) 007003728

(51) **LOC (13) Cl.** **13-02**

(52) **U.S. Cl.**
USPC **D13/110**

(58) **Field of Classification Search**
USPC D13/110, 101, 107, 108, 118, 123, 162,
D13/164, 184, 199

CPC H02M 7/00; H02M 7/02; H02M 7/003;
H05K 5/00; H05K 5/0017; H05K 7/00;
H05K 7/1427; H05K 7/20918

See application file for complete search history.

(56) **References Cited**

U.S. PATENT DOCUMENTS

5,949,640 A * 9/1999 Cameron H05K 5/0247
361/600
D426,810 S * 6/2000 Wei D13/110
D620,885 S * 8/2010 Donth D13/110
D724,535 S * 3/2015 Wang D13/110
D756,921 S * 5/2016 Benn D13/110

D798,809 S * 10/2017 Benn D13/110
D806,028 S * 12/2017 Amasaki D13/110
D817,275 S * 5/2018 Yeh D13/110
D829,653 S * 10/2018 Inskeep D13/110
D836,548 S * 12/2018 Jauhonen D13/110
D842,807 S * 3/2019 Amasaki D13/110

OTHER PUBLICATIONS

U.S. Appl. No. 29/730,046, filed Apr. 1, 2020.

* cited by examiner

Primary Examiner — Derrick E Holland

(74) *Attorney, Agent, or Firm* — Leydig, Voit & Mayer, Ltd.

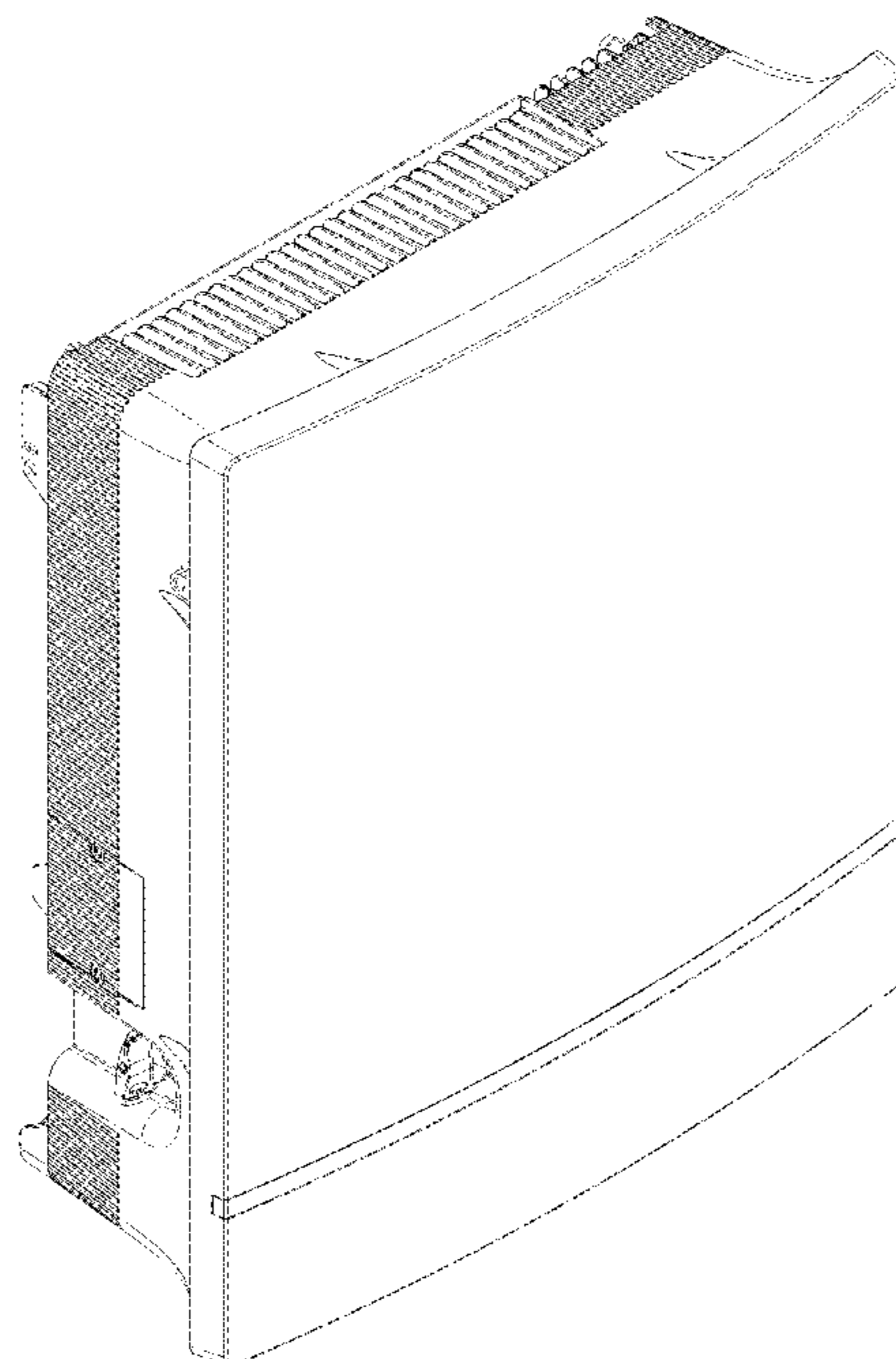
(57) **CLAIM**

The ornamental design for a inverter, as shown and described.

DESCRIPTION

FIG. 1 is a front view of an inverter showing my new design; FIG. 2 is a first side view thereof; FIG. 3 is a second side thereof; FIG. 4 is a bottom view thereof; FIG. 5 is a top view thereof; FIG. 6 is a rear view thereof; FIG. 7 is a front-top-second side perspective view thereof; and, FIG. 8 is a back-top-first side perspective view thereof. In the drawings, the broken lines are for the purpose of illustrating portions of the inverter that forms no part of the claimed design.

1 Claim, 8 Drawing Sheets



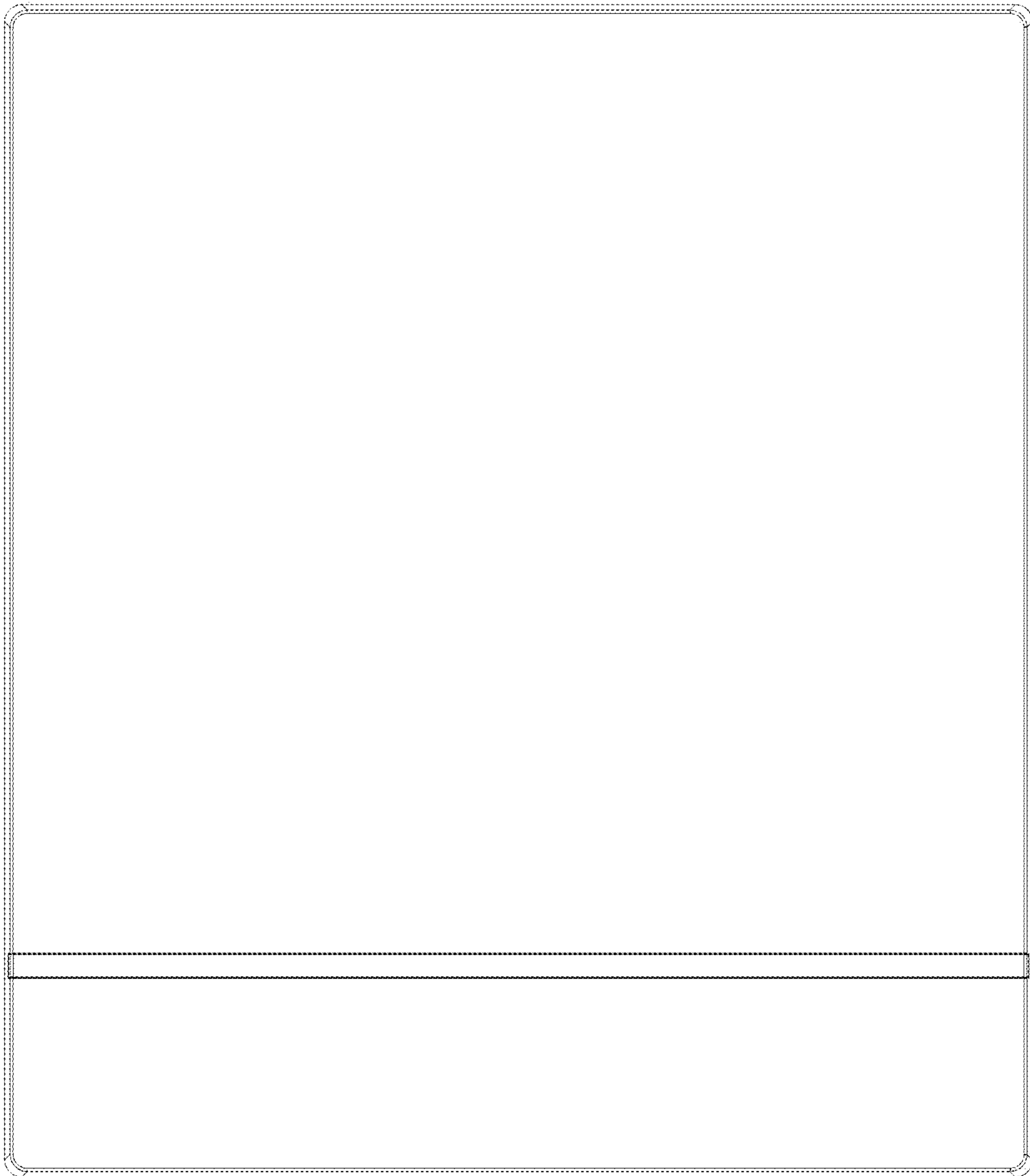


FIG. 1

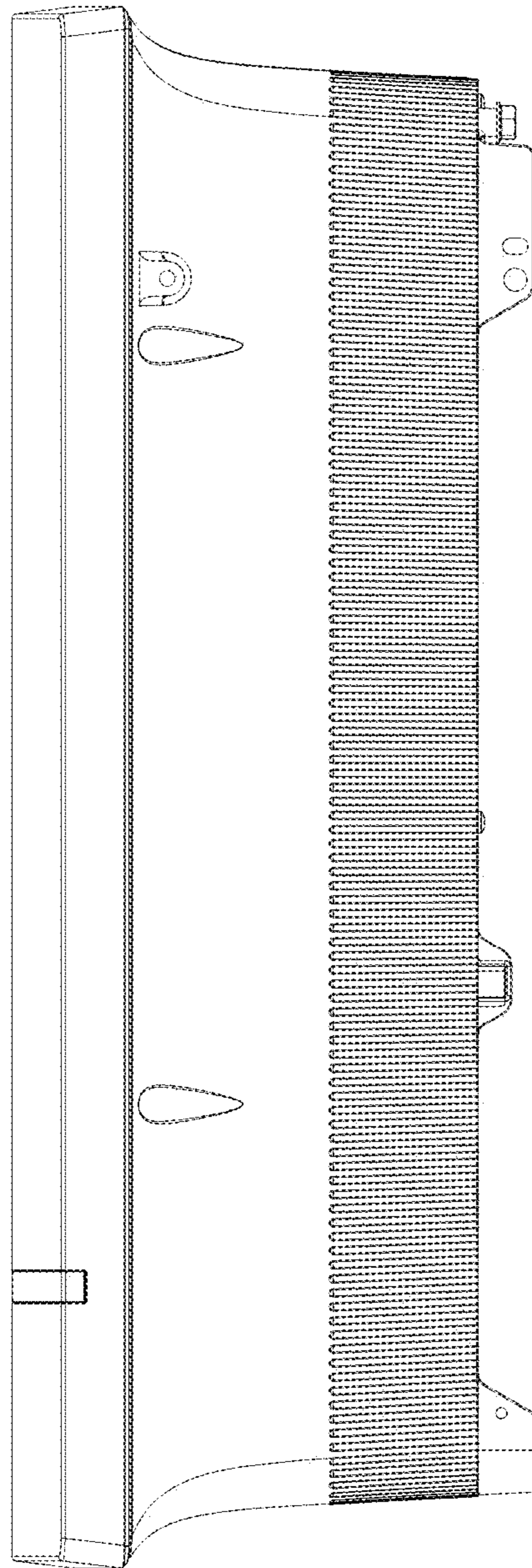


FIG. 2

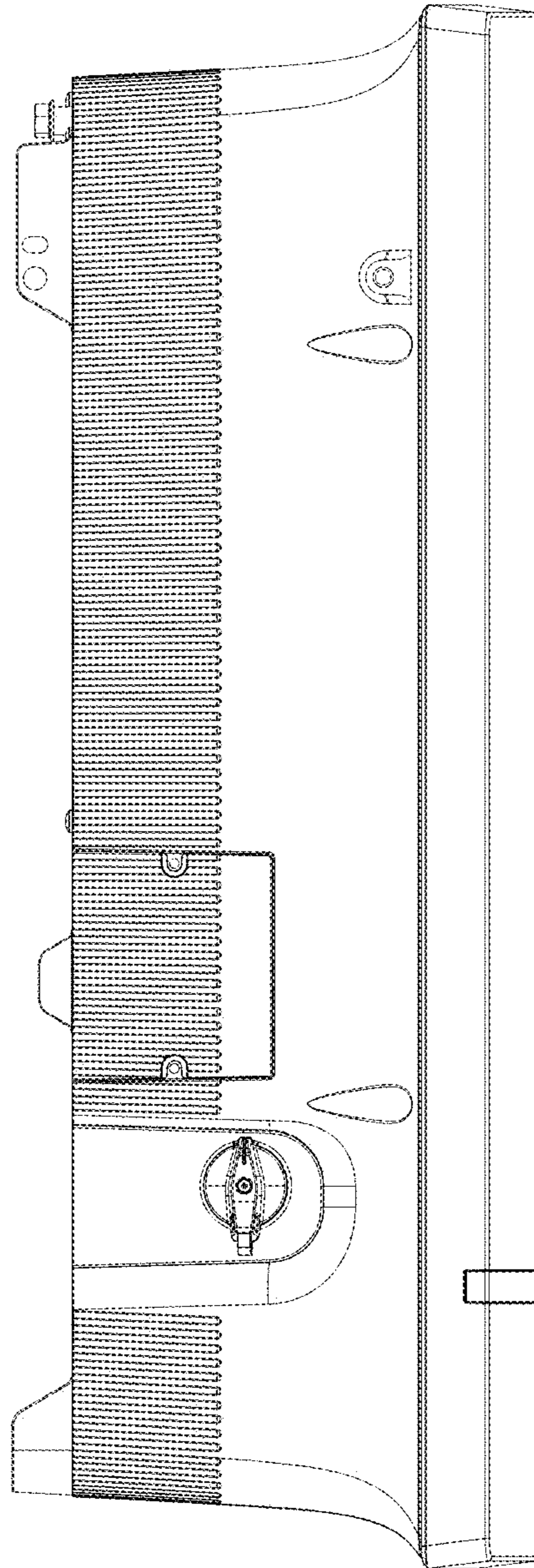


FIG. 3

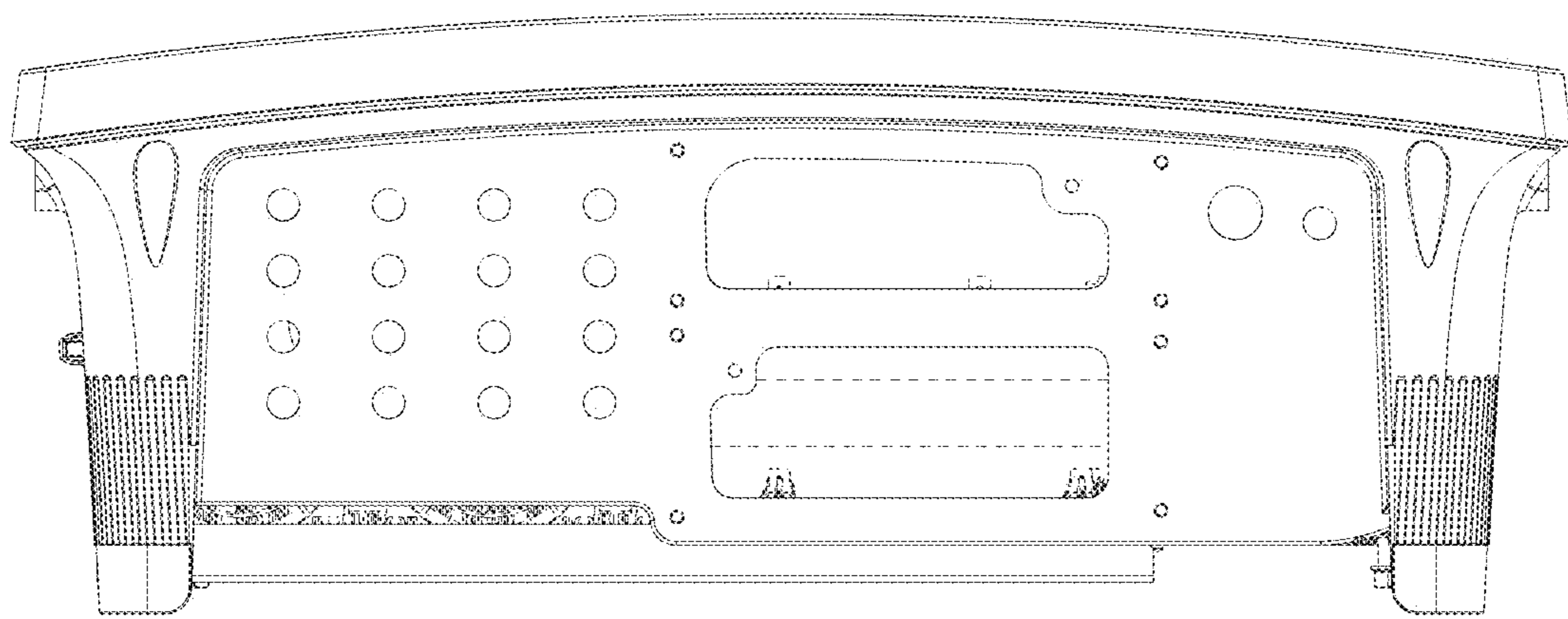


FIG. 4

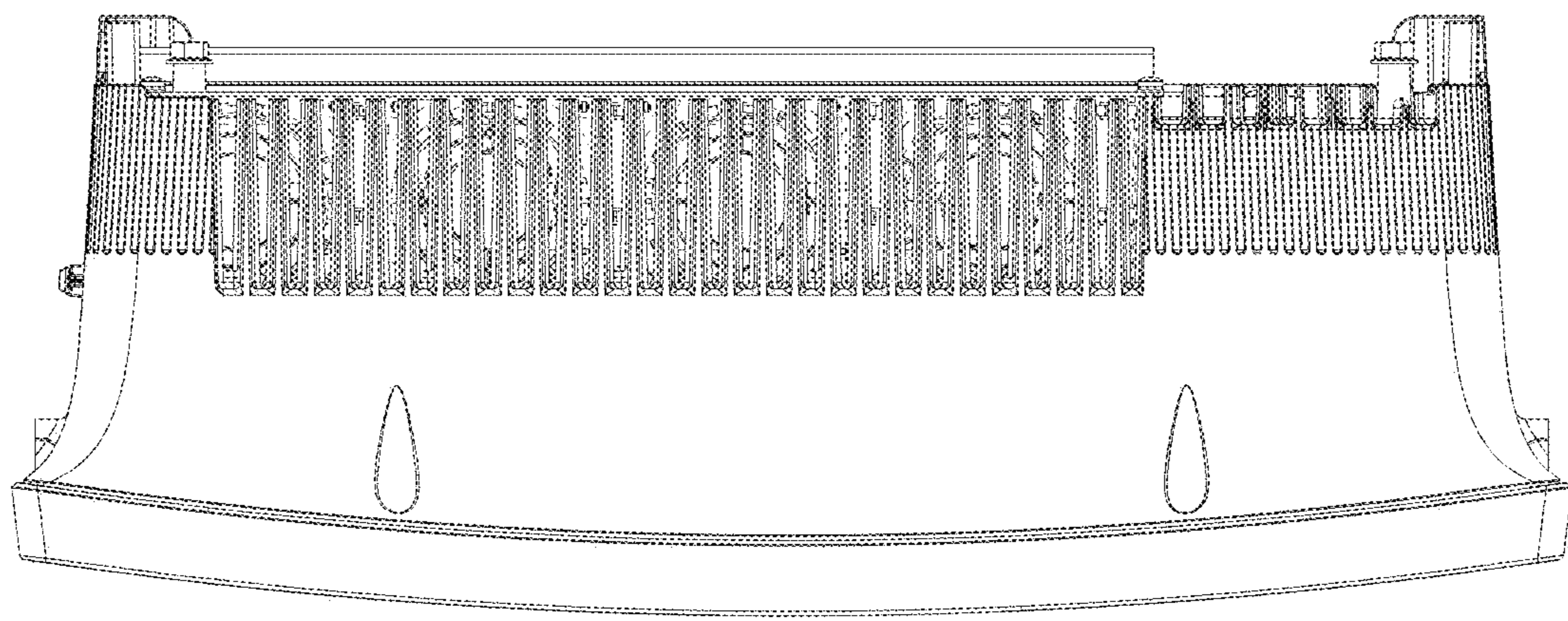


FIG. 5

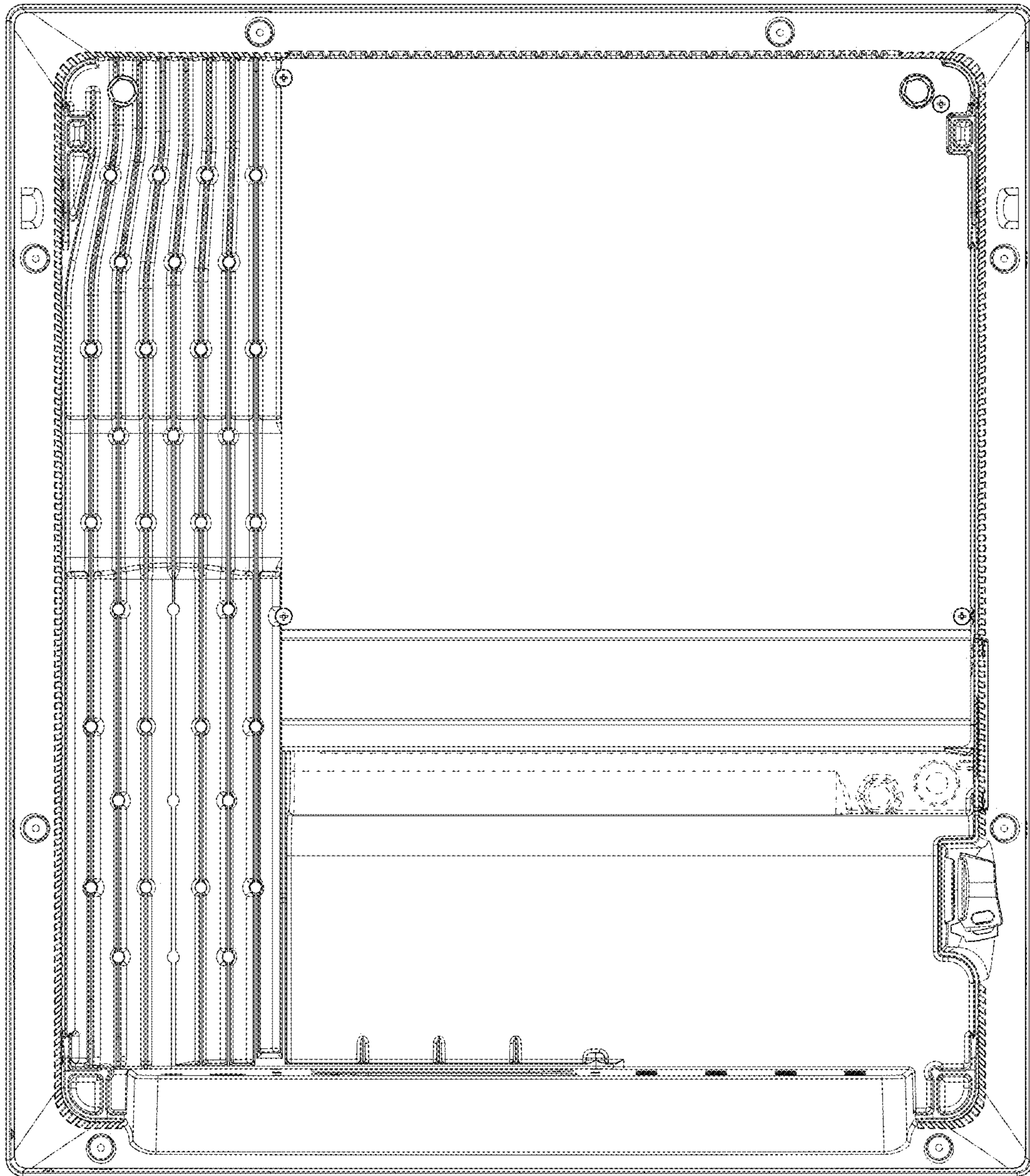


FIG. 6

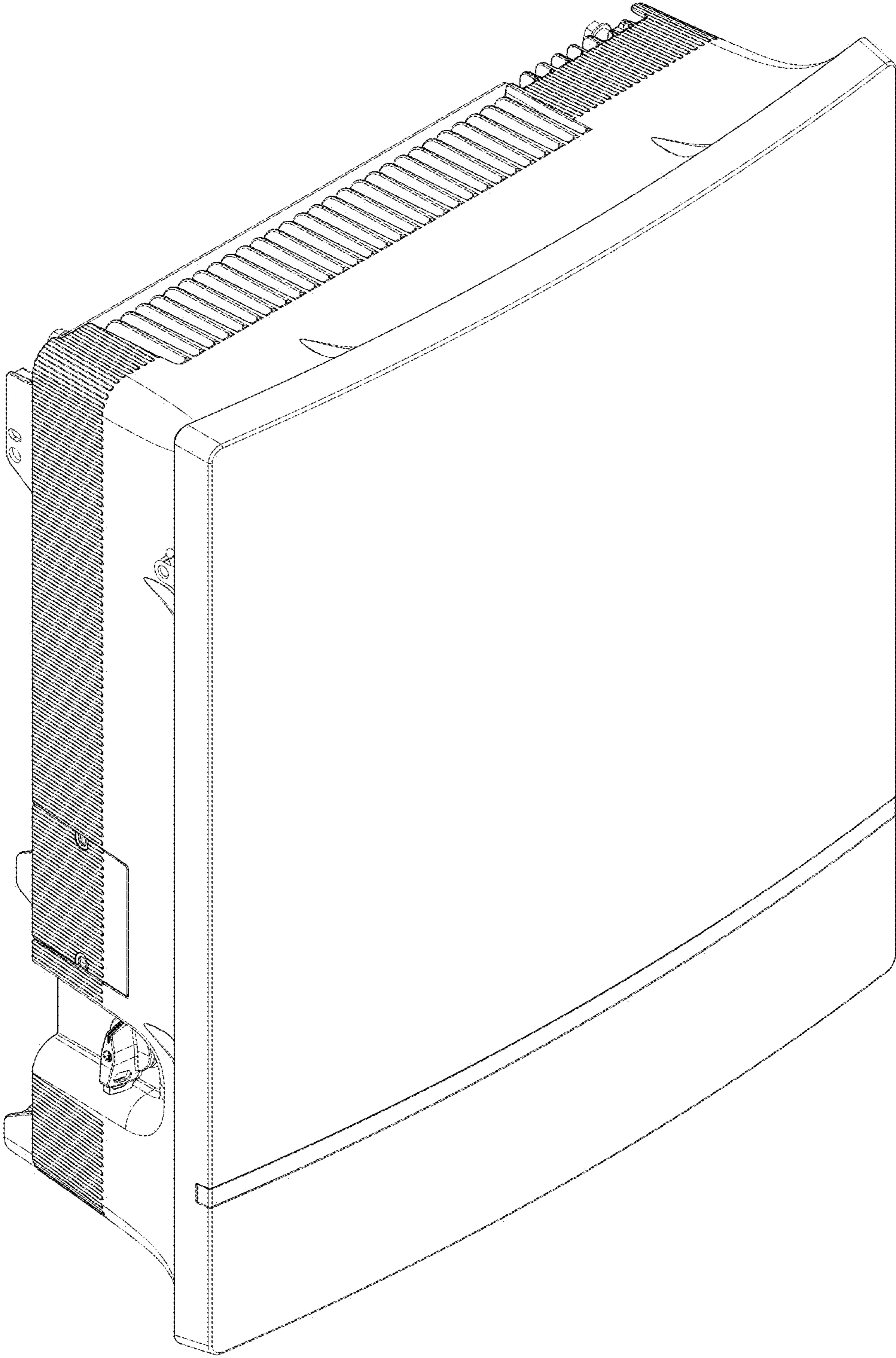


FIG. 7

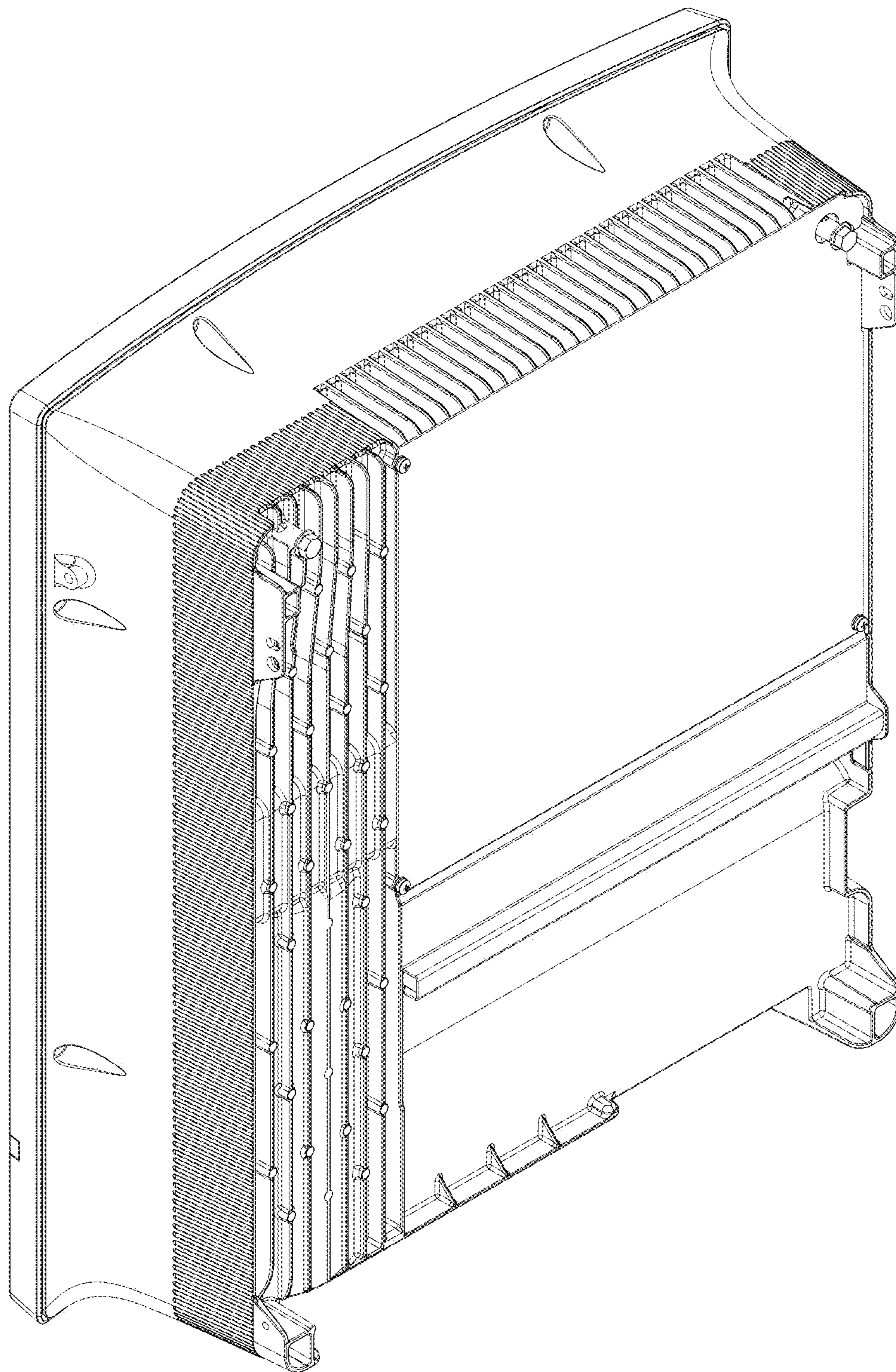


FIG. 8