



US00D931808S

(12) **United States Design Patent**
Magyar

(10) **Patent No.:** **US D931,808 S**

(45) **Date of Patent:** **** Sep. 28, 2021**

(54) **CONVERTER**

(71) Applicant: **WITTENSTEIN SE**, Igersheim (DE)

(72) Inventor: **Mátyás Magyar**, Bad Mergentheim (DE)

(73) Assignee: **WITTENSTEIN SE**, Igersheim (DE)

(**) Term: **15 Years**

(21) Appl. No.: **29/711,423**

(22) Filed: **Oct. 31, 2019**

(51) **LOC (13) Cl.** **13-02**

(52) **U.S. Cl.**

USPC **D13/110**

(58) **Field of Classification Search**

USPC D13/110, 101, 107, 112, 118, 119, 123,
D13/133, 147, 156, 166, 184, 199;
D14/432, 433

CPC H05K 5/00; H05K 5/02; H05K 5/0247;
H05K 7/00; H05K 7/20; H05K 7/20136;
H05K 7/20154; H05K 7/209; H02M 7/00;
H02M 7/003; H02J 7/0042; H01L
23/3672; H01L 2224/48091; H01L
2224/48227; Y10T 307/367; H01R 13/52;
H01R 13/56; H01R 13/60; H01R 13/641;
H01R 13/5202; H01M 2/0207; H01M
2/0212; H01M 2/1022; H01M 2/1027;
H01M 2/1077

See application file for complete search history.

(56) **References Cited**

U.S. PATENT DOCUMENTS

D296,895 S * 7/1988 Nakayama D14/230
D425,017 S * 5/2000 Leung D13/110

D433,998 S * 11/2000 Ishitsuka D13/123
D469,059 S * 1/2003 Ando D13/110
6,650,559 B1 * 11/2003 Okamoto H01L 23/3672
257/E23.103
D506,438 S * 6/2005 Vinciarelli D13/110
D582,846 S * 12/2008 Lett D13/110
D627,721 S * 11/2010 Kuraishi D13/112
D638,793 S * 5/2011 Perin D13/110
D682,783 S * 5/2013 Chen D13/112
D804,417 S * 12/2017 Baacke D13/110

* cited by examiner

Primary Examiner — Derrick E Holland

(74) *Attorney, Agent, or Firm* — Bachman & LaPointe,
PC; George Coury

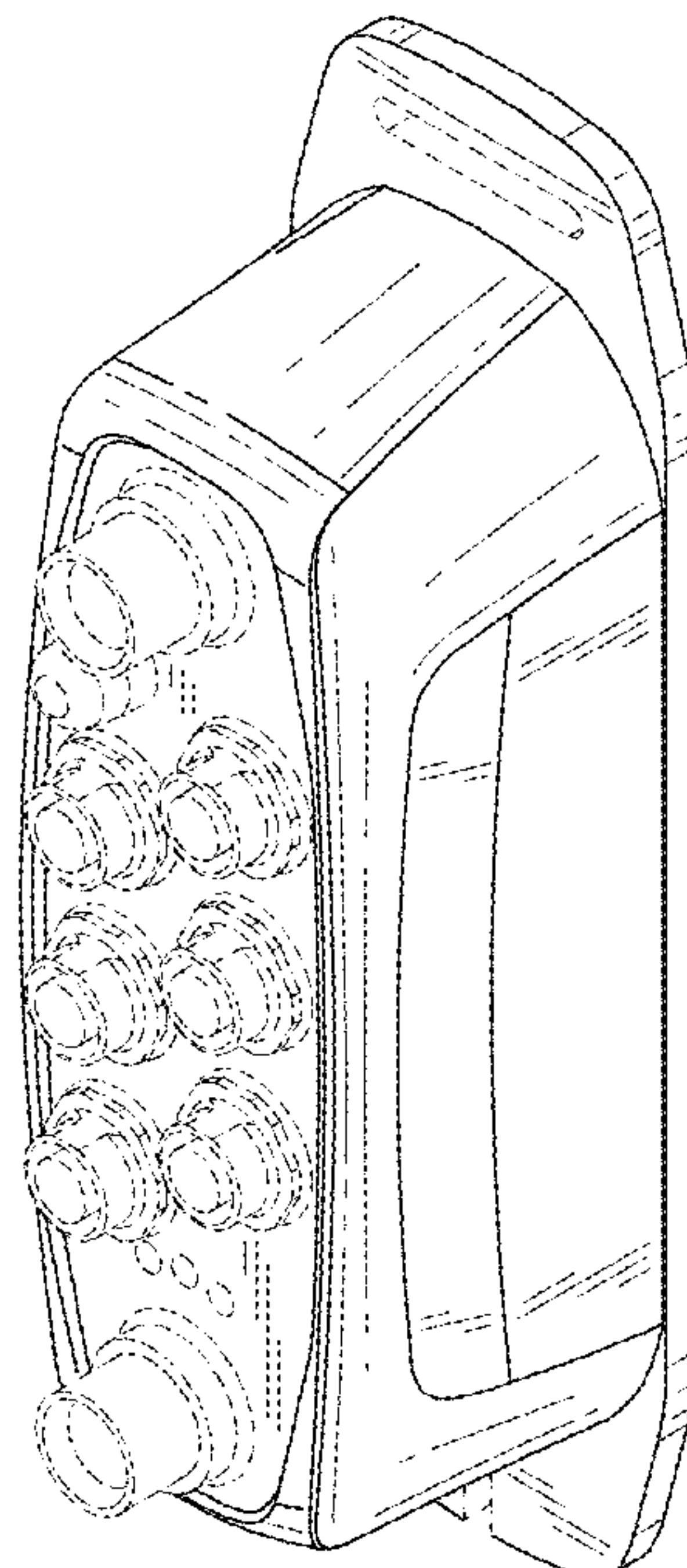
(57) **CLAIM**

The ornamental design for a converter, as shown and described.

DESCRIPTION

FIG. 1 is a perspective view of a converter showing my new design;
FIG. 2 is a top view of the design of FIG. 1;
FIG. 3 is a bottom view of the design of FIG. 1;
FIG. 4 is a side view of the design of FIG. 1;
FIG. 5 is a reverse side view of the design of FIG. 1;
FIG. 6 is an end view of the design of FIG. 1; and,
FIG. 7 is a reverse end view of the design of FIG. 1.
The broken lines shown represent the portions of the converter which form no part of the claimed design.

1 Claim, 2 Drawing Sheets



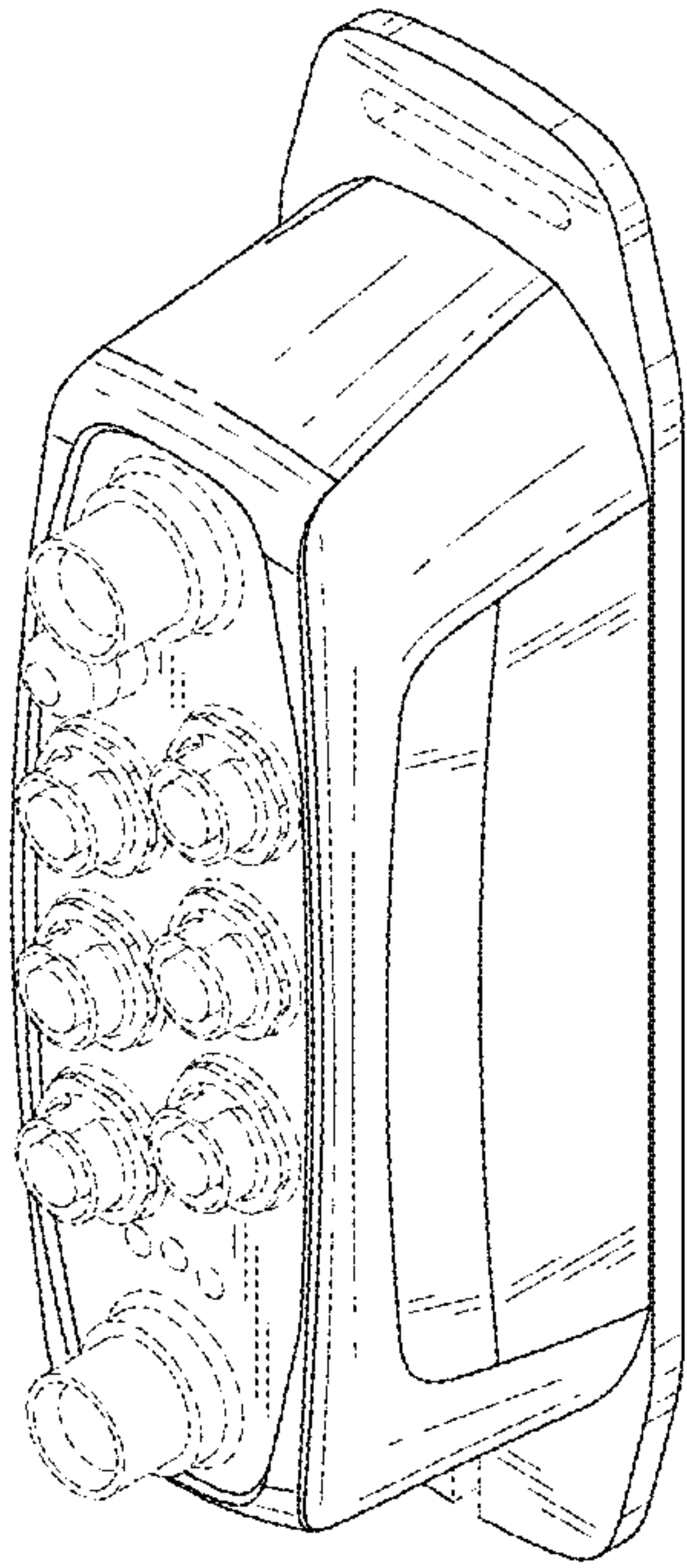


FIG. 1

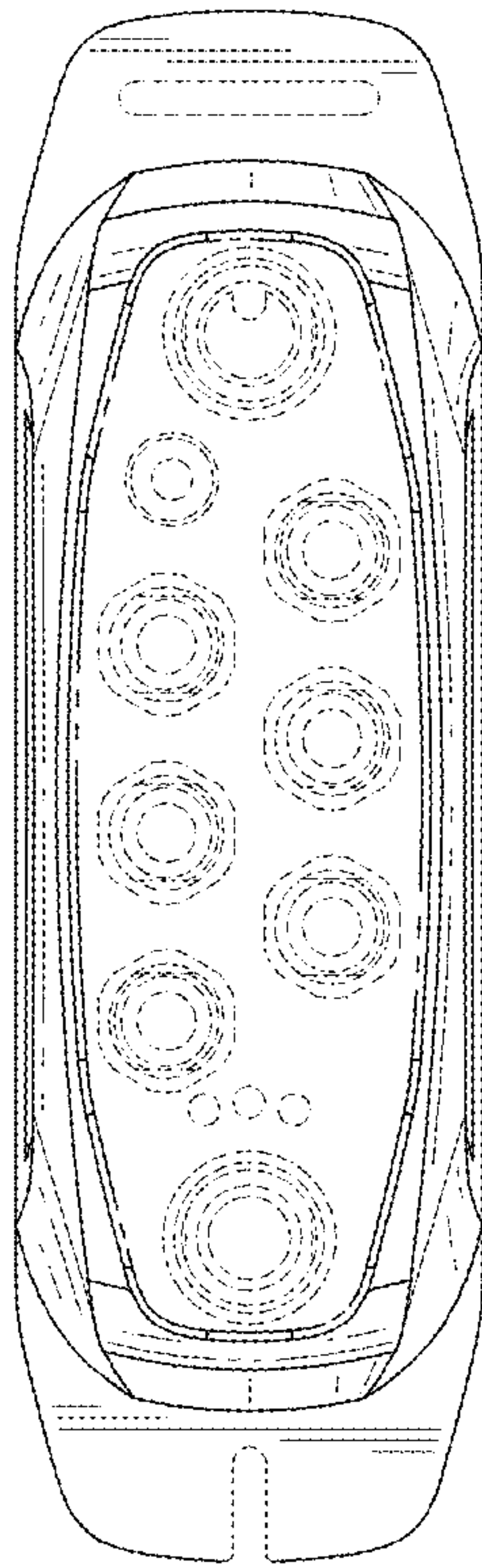


FIG. 2

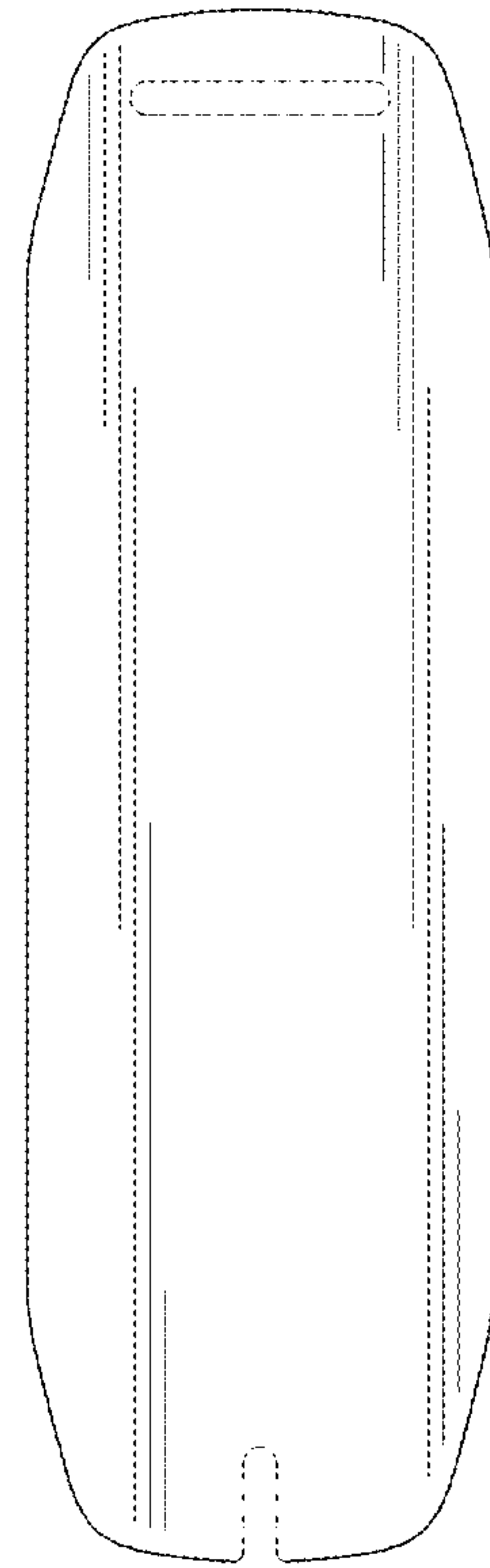


FIG. 3

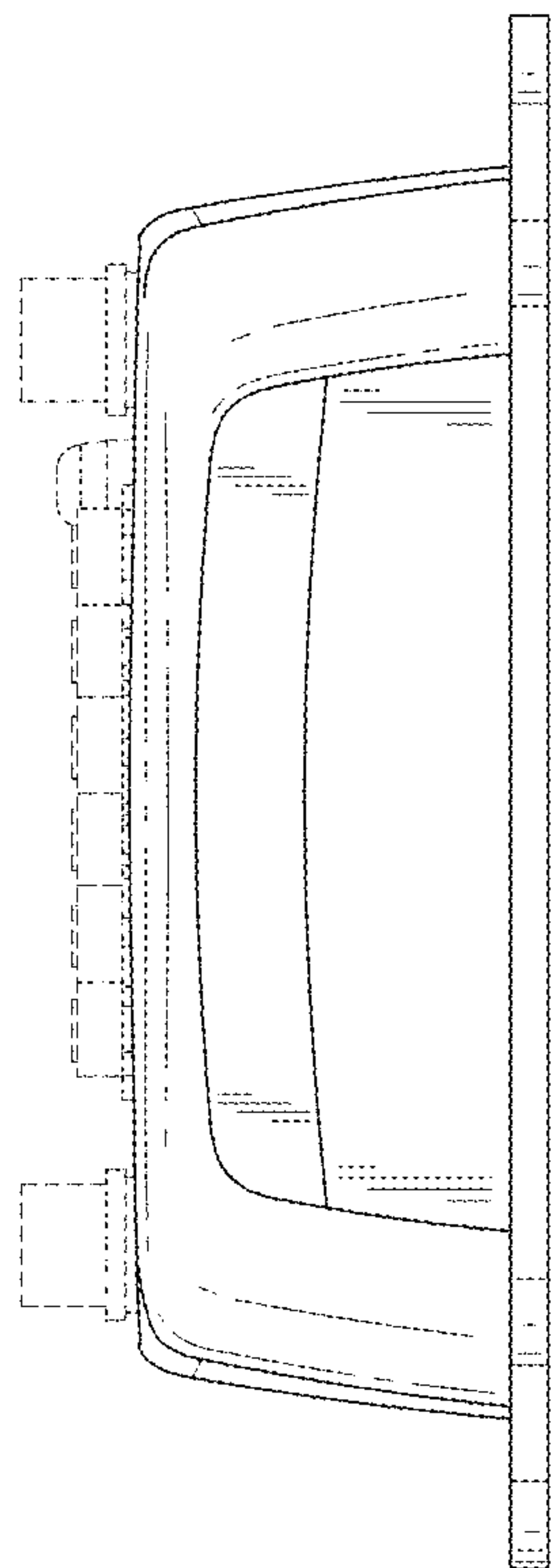


FIG. 4

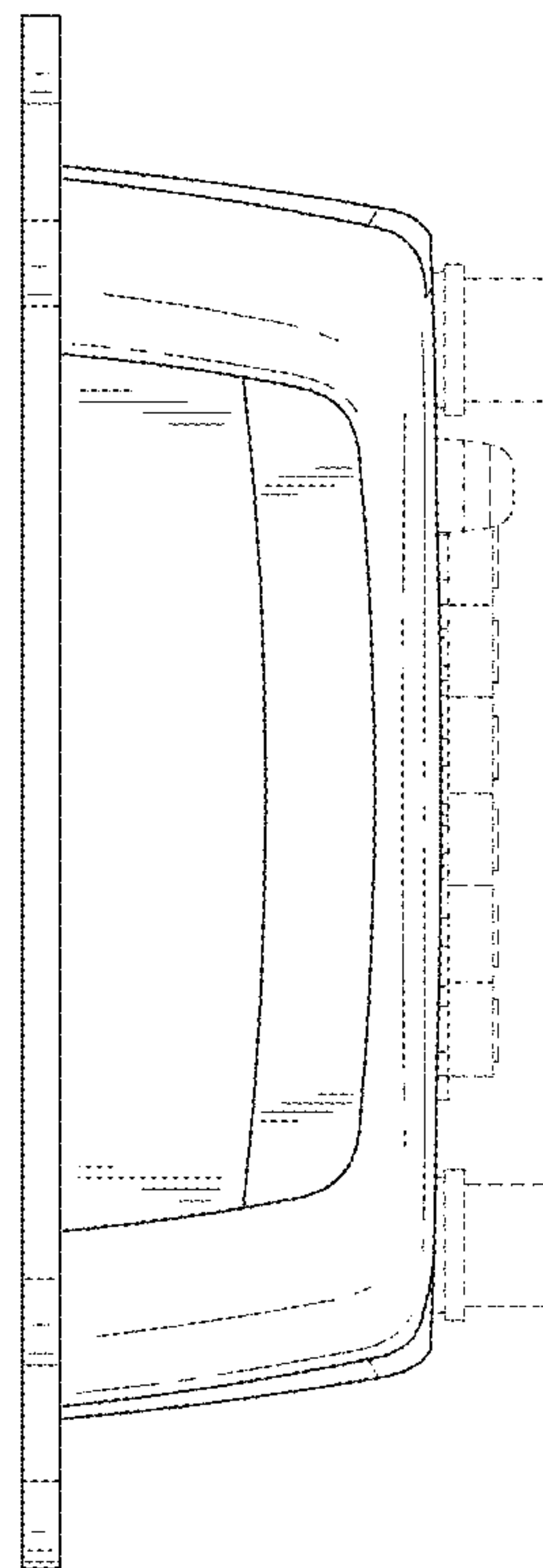


FIG. 5

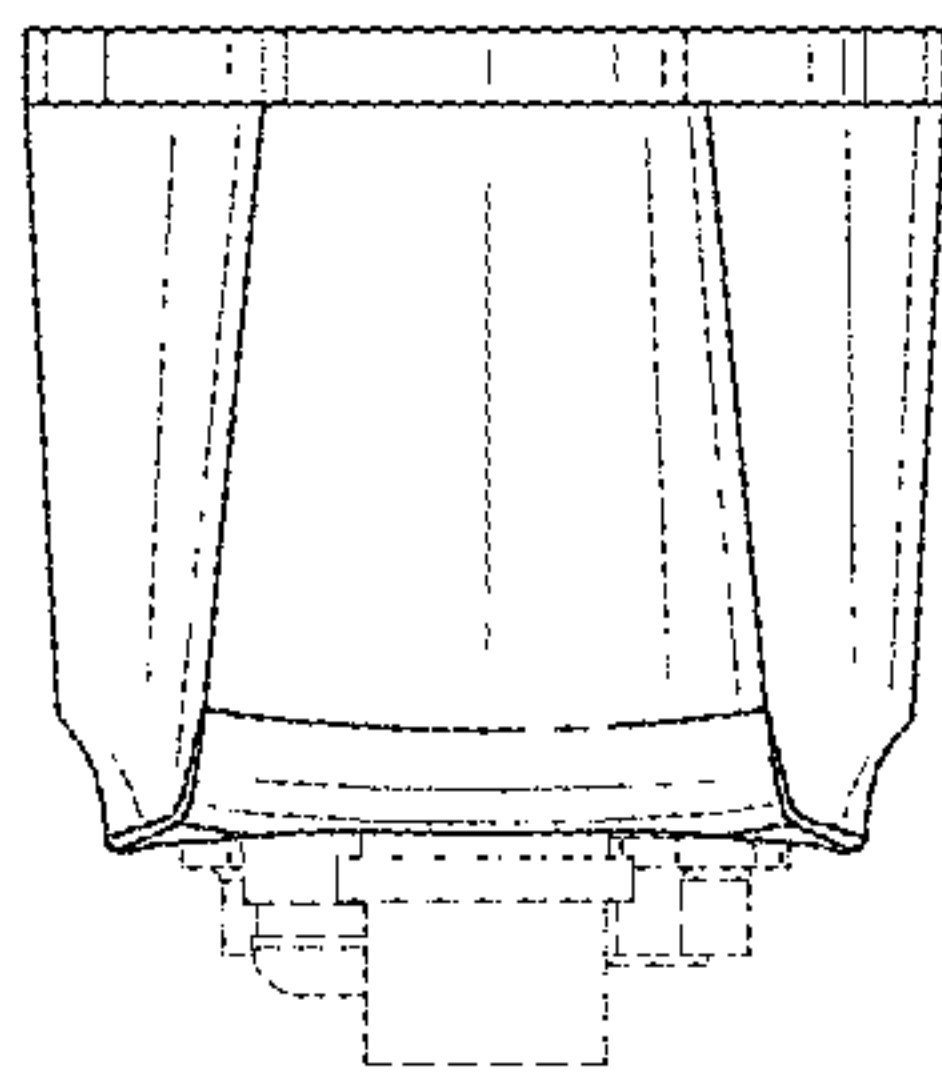


FIG. 6

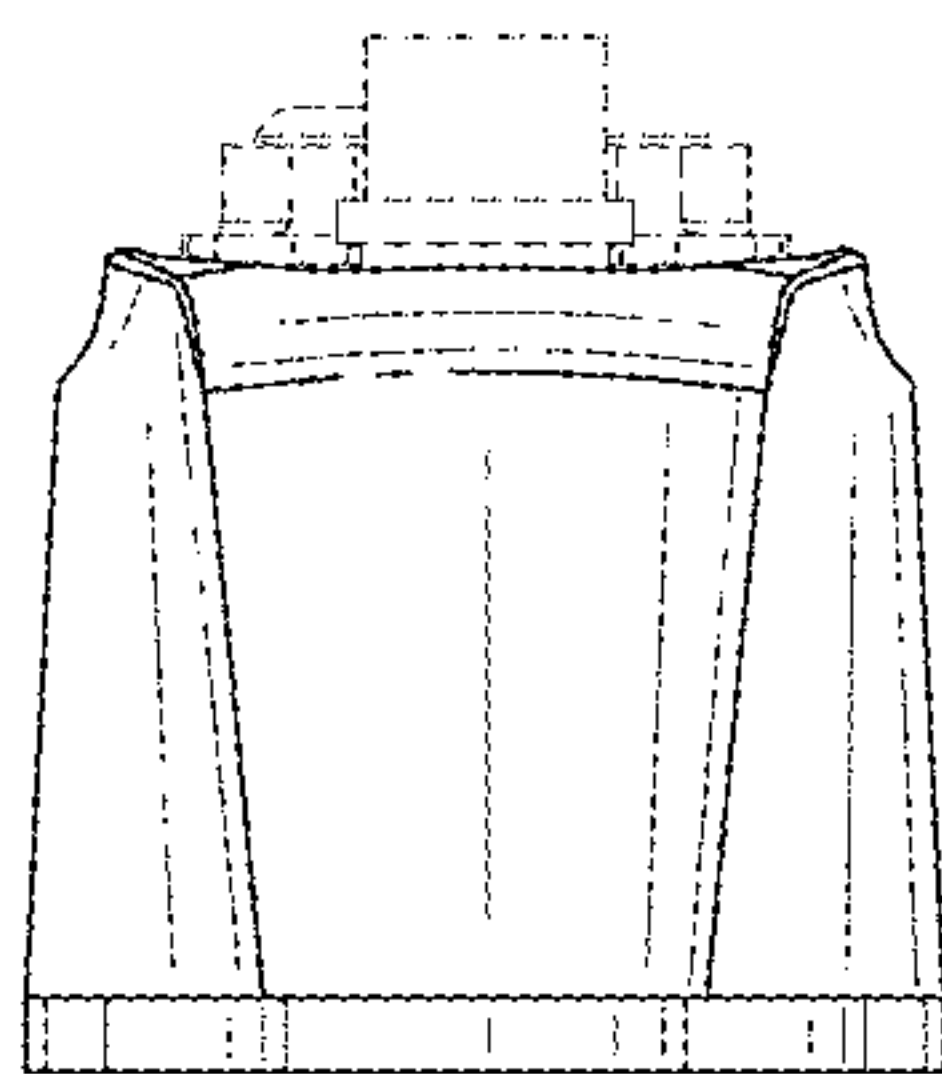


FIG. 7