



US00D931807S

(12) **United States Design Patent** (10) **Patent No.:** **US D931,807 S**
Wu et al. (45) **Date of Patent:** **** Sep. 28, 2021**

(54) **INVERTER**

(71) Applicant: **Jiangxi Baiying High-Tech Holdings Co., LTD., JiangXi (CN)**

(72) Inventors: **Fengming Wu, YingTan (CN); Chenghua Ai, YingTan (CN); Weilin Liu, YingTan (CN)**

(73) Assignee: **Jingxi Baiying High-Tech Holdings Co., LTD.**

(**) Term: **15 Years**

(21) Appl. No.: **29/666,723**

(22) Filed: **Oct. 15, 2018**

(51) **LOC (13) Cl.** **13-02**

(52) **U.S. Cl.**
USPC **D13/110**

(58) **Field of Classification Search**
USPC D13/103, 104, 107, 110, 112, 119, 120, D13/133, 156
CPC H01R 13/641; H01M 2/1022; H01M 2/1027; H01M 2/1072; H01M 2/105; H01M 2/1077; H02B 1/20
See application file for complete search history.

(56) **References Cited**

U.S. PATENT DOCUMENTS

D657,739 S *	4/2012	Miyawaki	D13/104
D705,719 S *	5/2014	Wong	D13/103
D711,821 S *	8/2014	Wang	D13/103
D759,587 S *	6/2016	Santos	D13/103
D762,565 S *	8/2016	Akana	D13/103
D775,073 S *	12/2016	Oshiba	D13/119
D812,000 S *	3/2018	Li	D13/108
D820,198 S *	6/2018	Smith	D13/103
D842,237 S *	3/2019	Qiu	D13/103
D844,560 S *	4/2019	Miller	D13/108
D852,742 S *	7/2019	Li	D13/110

2008/0050645 A1 *	2/2008	Kai	H01M 2/1077 429/61
2009/0123821 A1 *	5/2009	Kim	H01M 2/0404 429/124
2011/0070465 A1 *	3/2011	Kim	H01M 10/42 429/7
2015/0207181 A1 *	7/2015	Fink	H01M 2/043 429/7
2017/0264059 A1 *	9/2017	Cote	H01R 13/506
2019/0131678 A1 *	5/2019	Kim	H01M 2/10
2019/0189982 A1 *	6/2019	Lee	H01M 10/0472
2019/0198952 A1 *	6/2019	Choi	H01M 10/6554

* cited by examiner

Primary Examiner — Brett Miller
Assistant Examiner — Suzanne E Tisdell
(74) *Attorney, Agent, or Firm* — Timothy T. Wang; Ni, Wang & Massand, PLLC

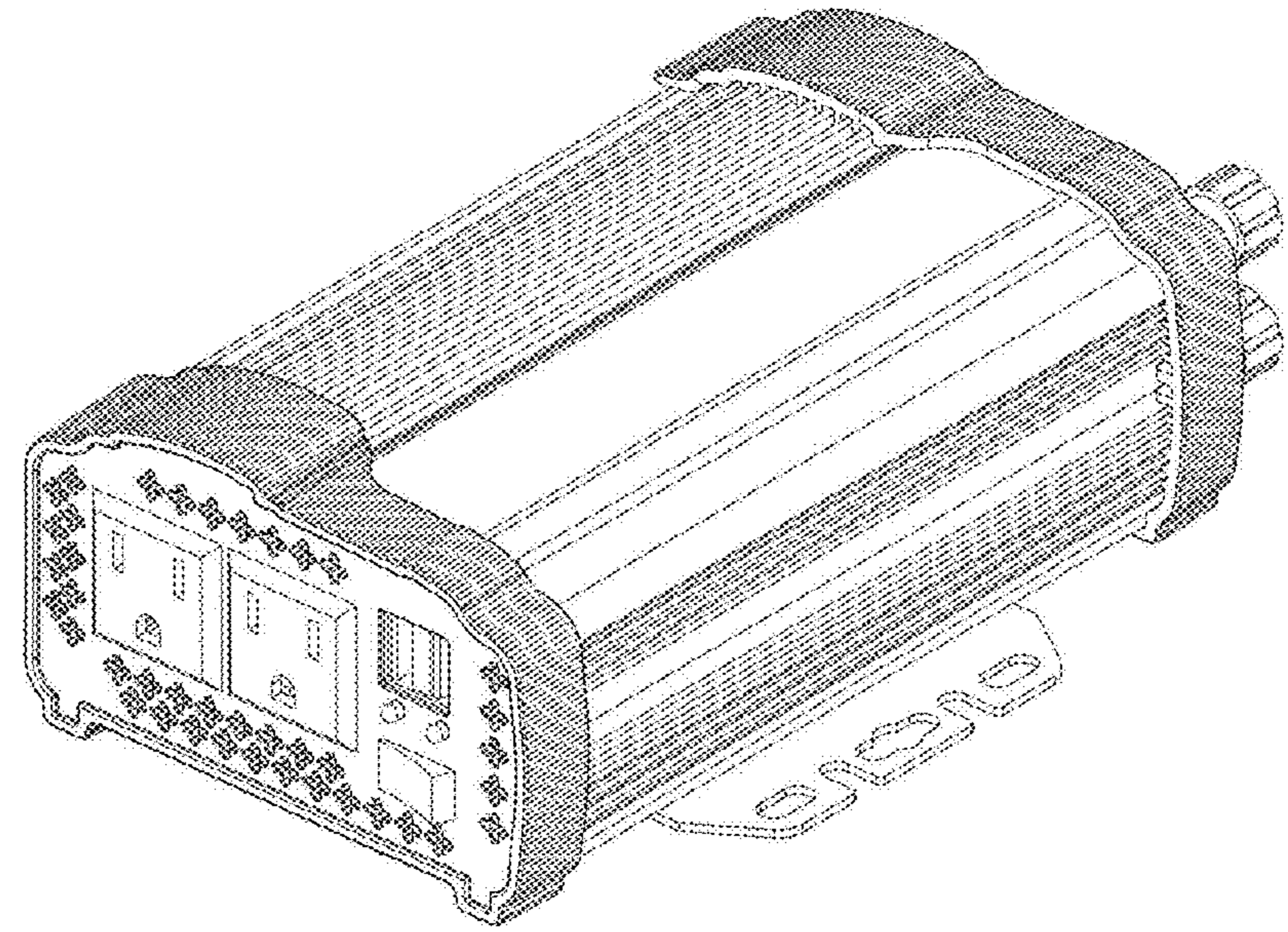
(57) **CLAIM**

The ornamental design for an inverter, as shown and described.

DESCRIPTION

FIG. 1 is a front perspective view seen from bottom and right side of inverter showing our new design;
FIG. 2 is a front perspective view seen from top and left side thereof;
FIG. 3 is a back perspective view seen from bottom and left side thereof;
FIG. 4 is a back perspective view seen from top and right side thereof;
FIG. 5 is a top plan view thereof;
FIG. 6 is a front plain view thereof;
FIG. 7 is a left-side elevational view thereof;
FIG. 8 is a back plan view thereof;
FIG. 9 is a right-side elevational view thereof; and,
FIG. 10 is a bottom plan view thereof.

1 Claim, 10 Drawing Sheets



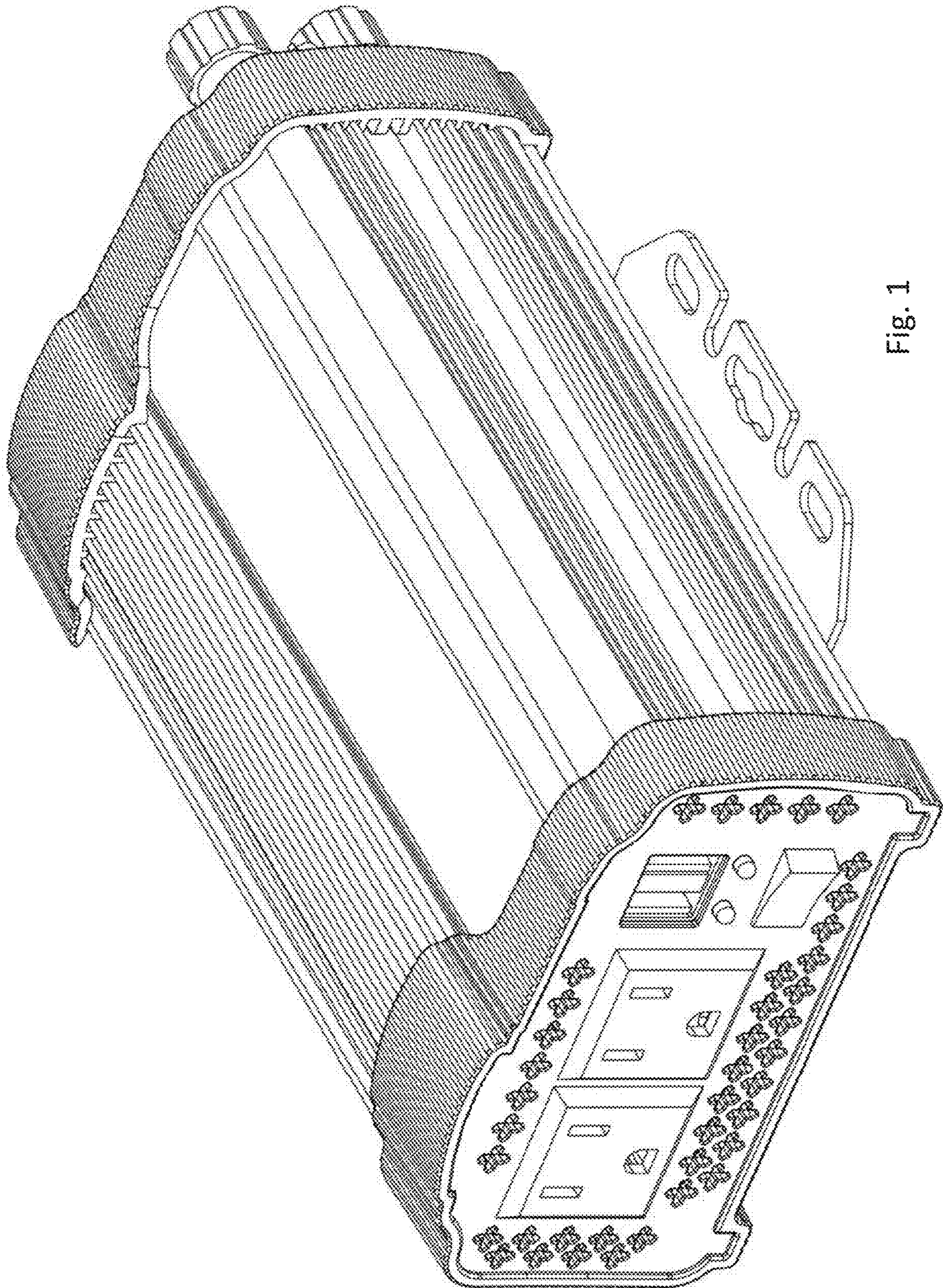


Fig. 1

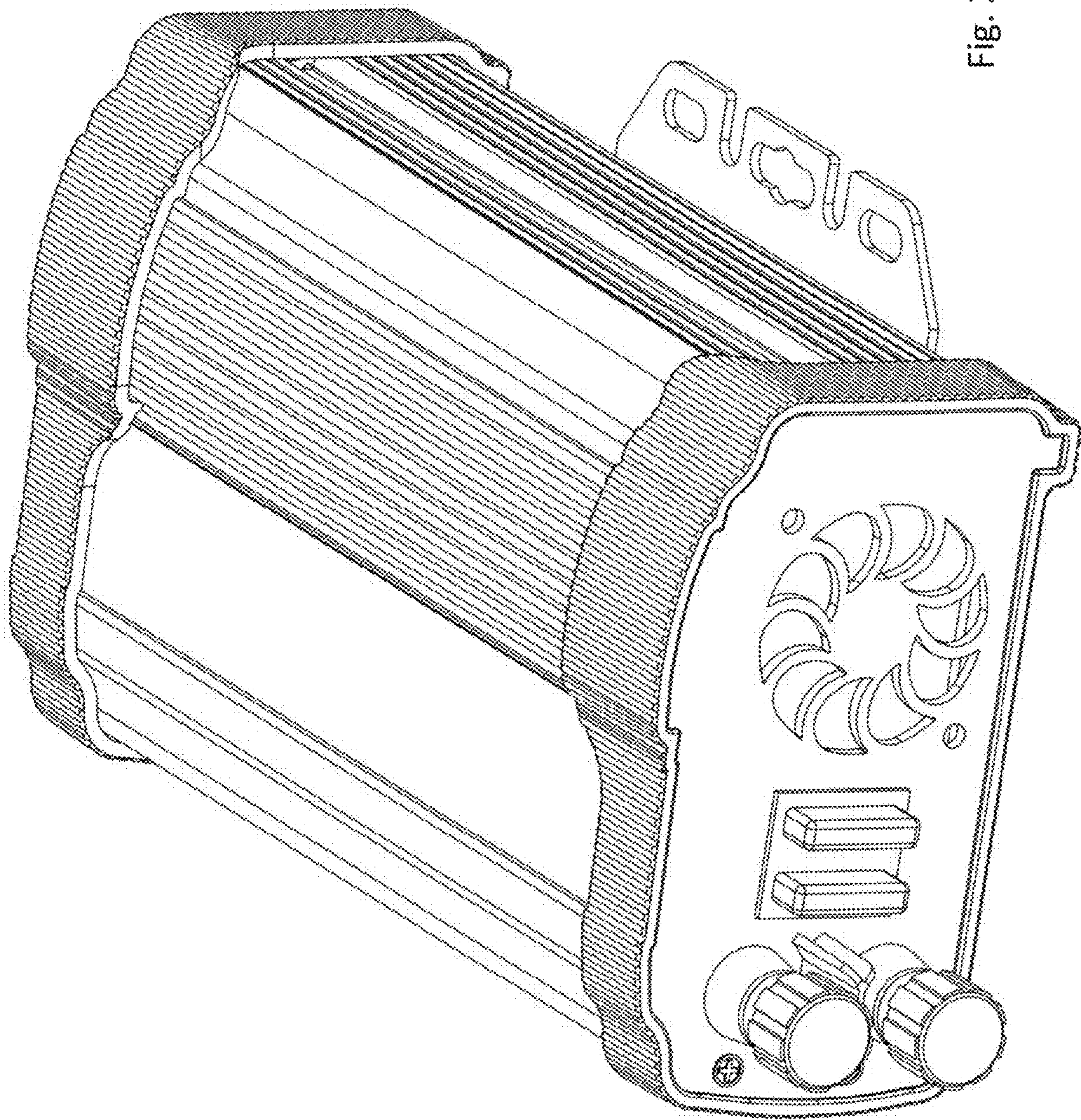


Fig. 2

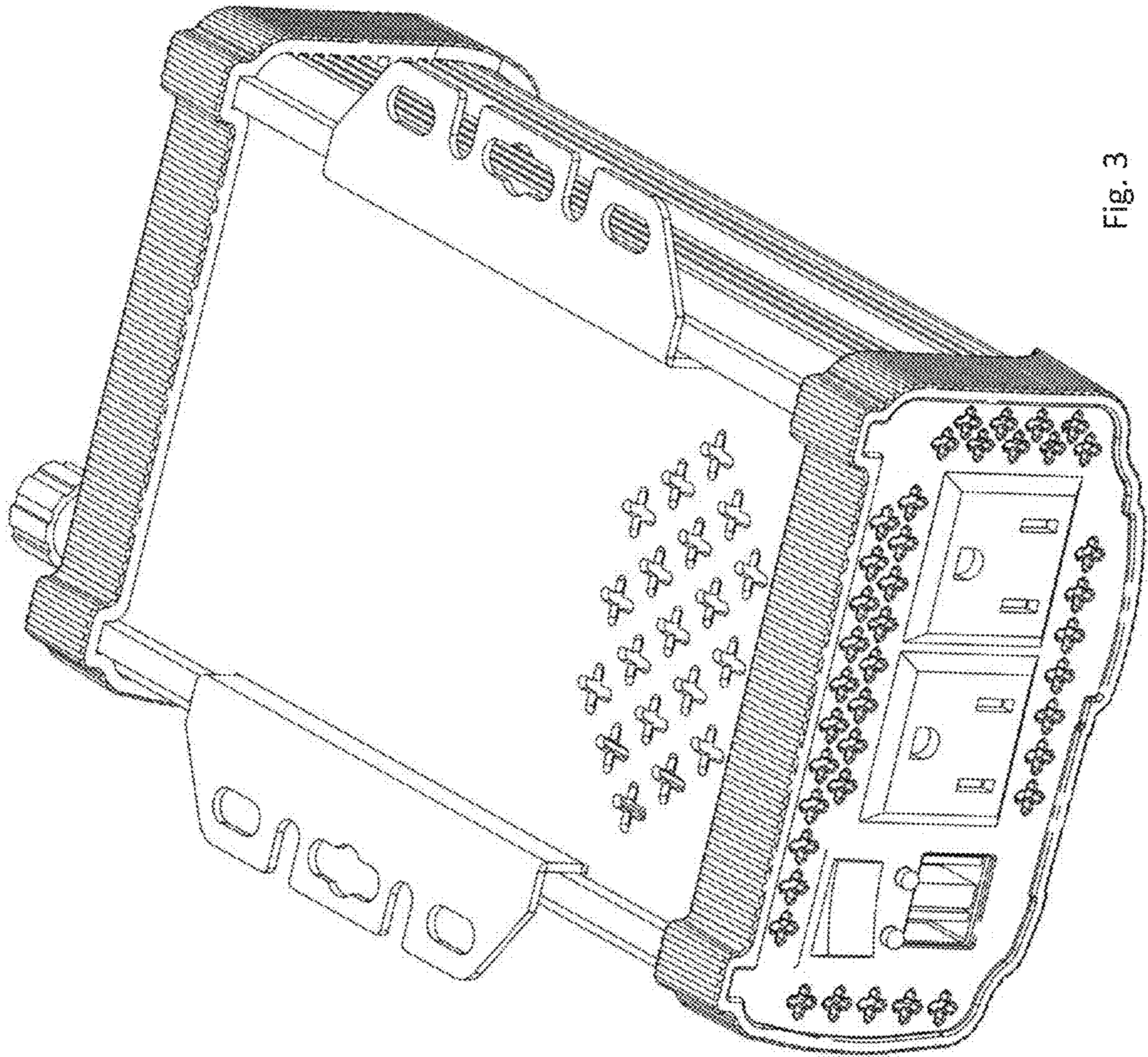


Fig. 3

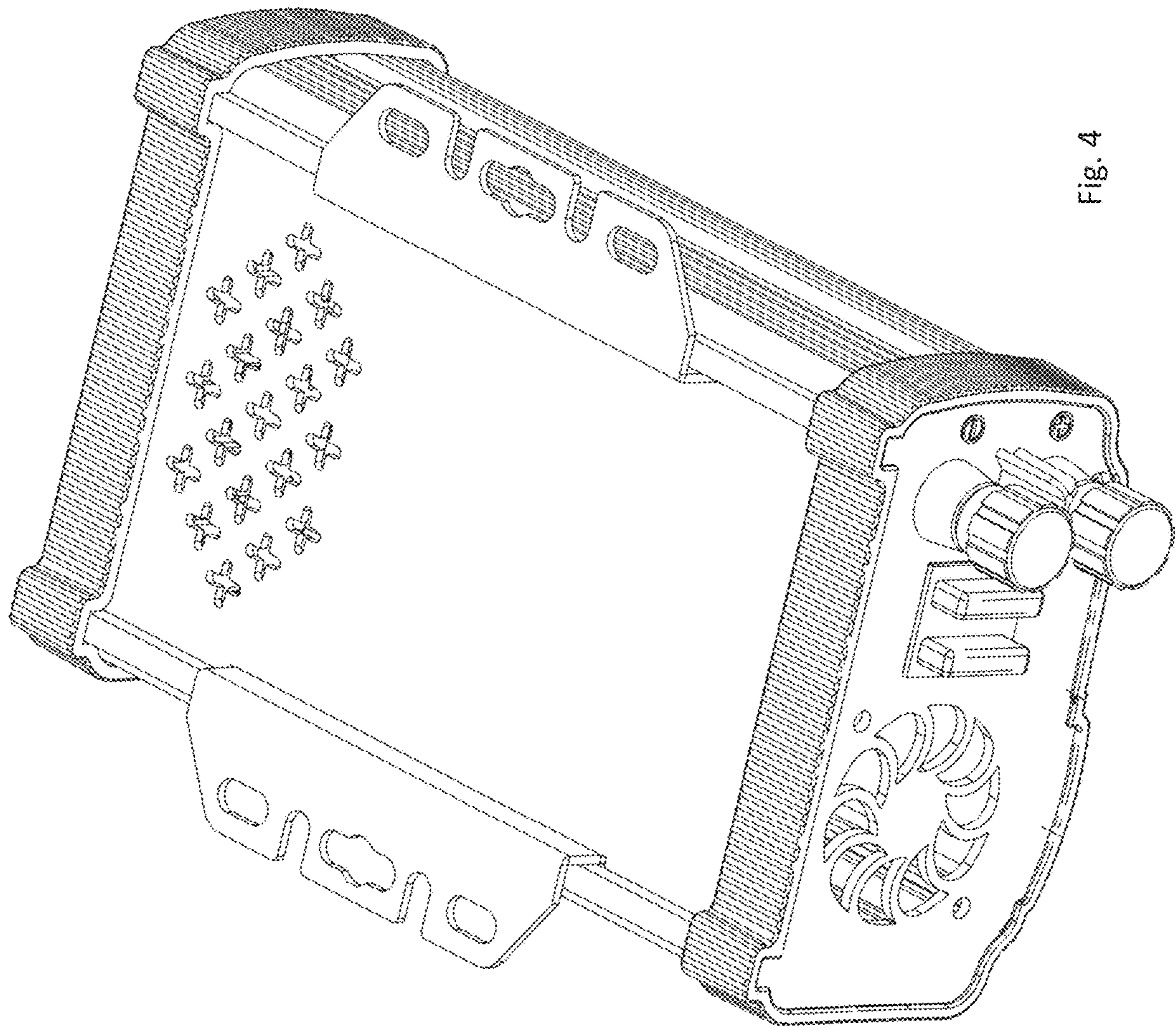


Fig. 4

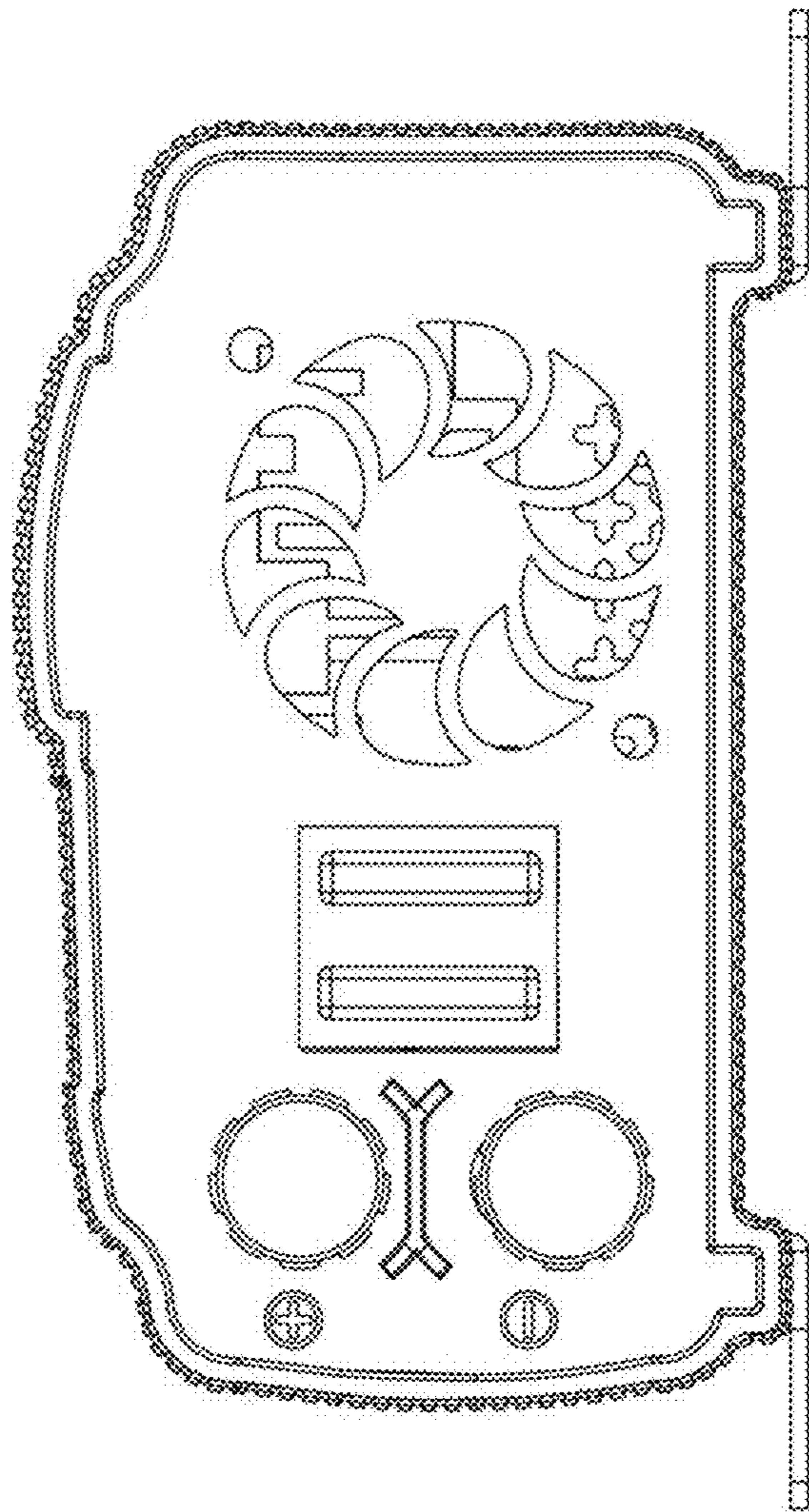


Fig. 5

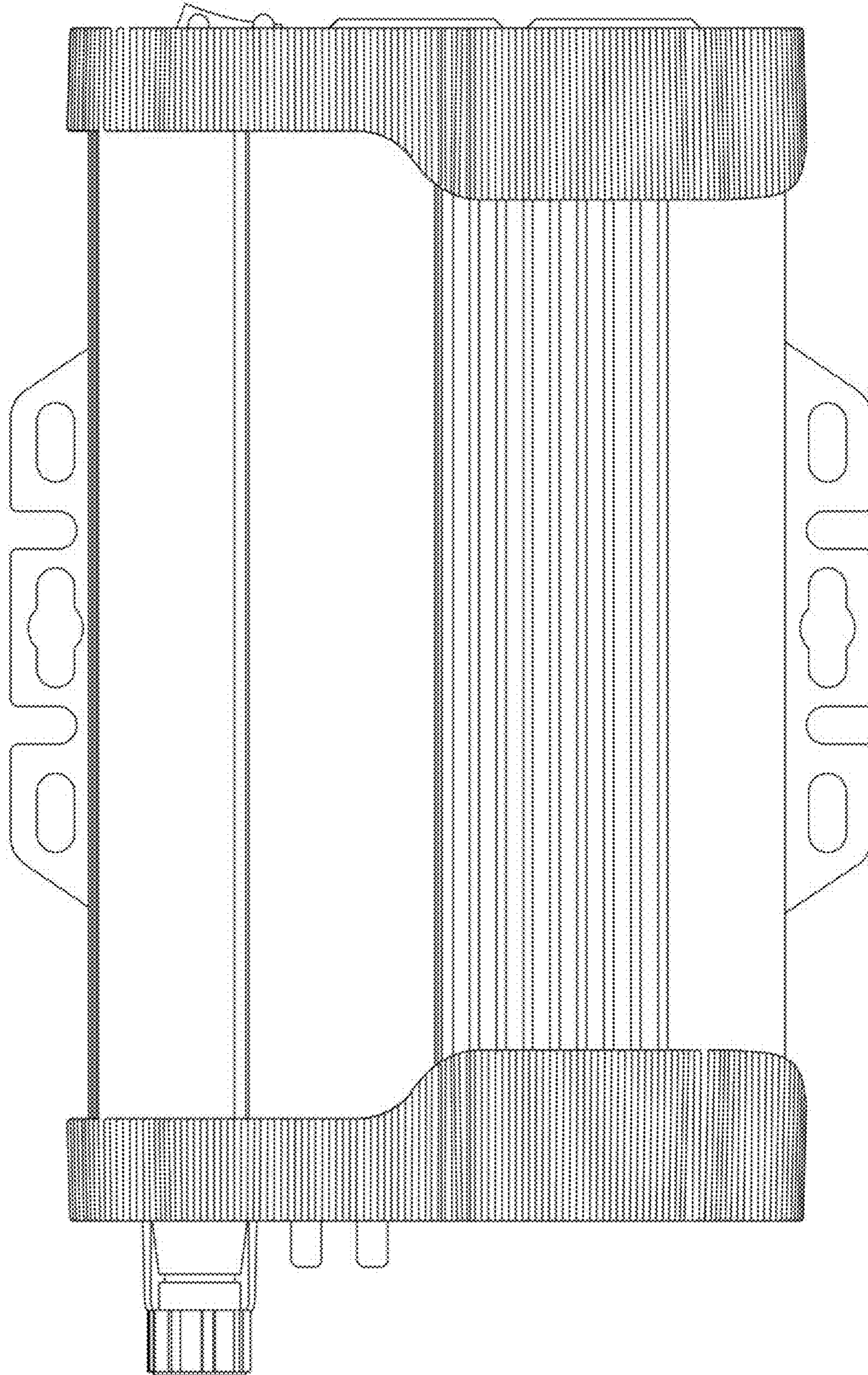


Fig. 6

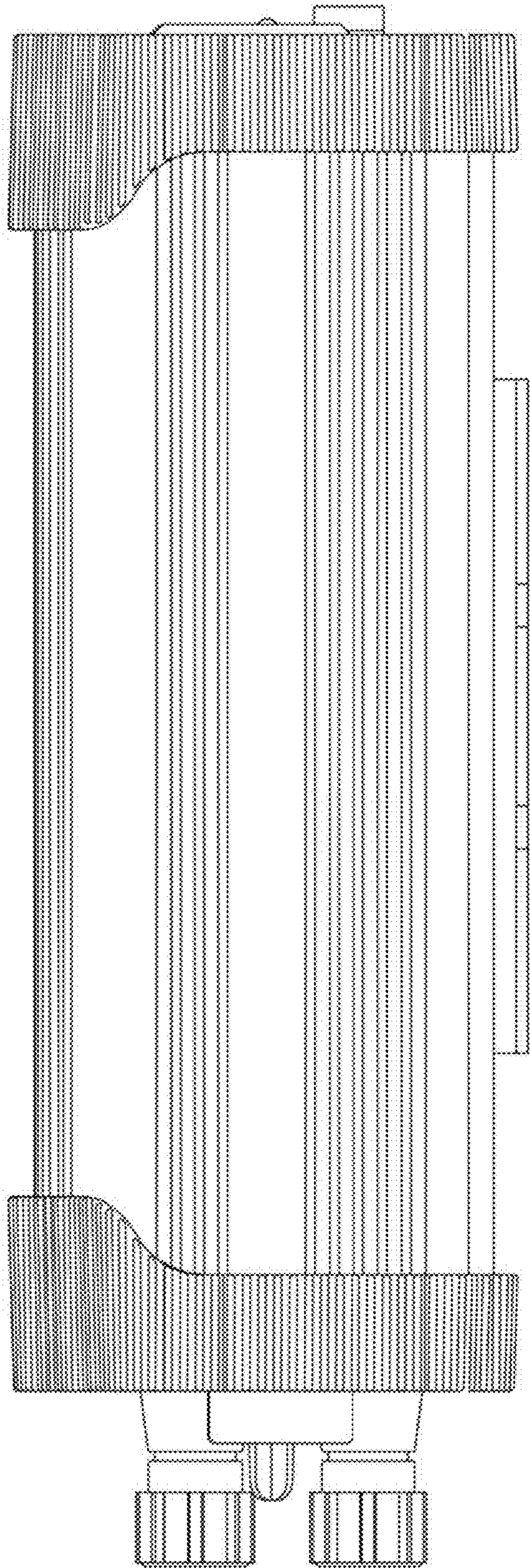


Fig. 7

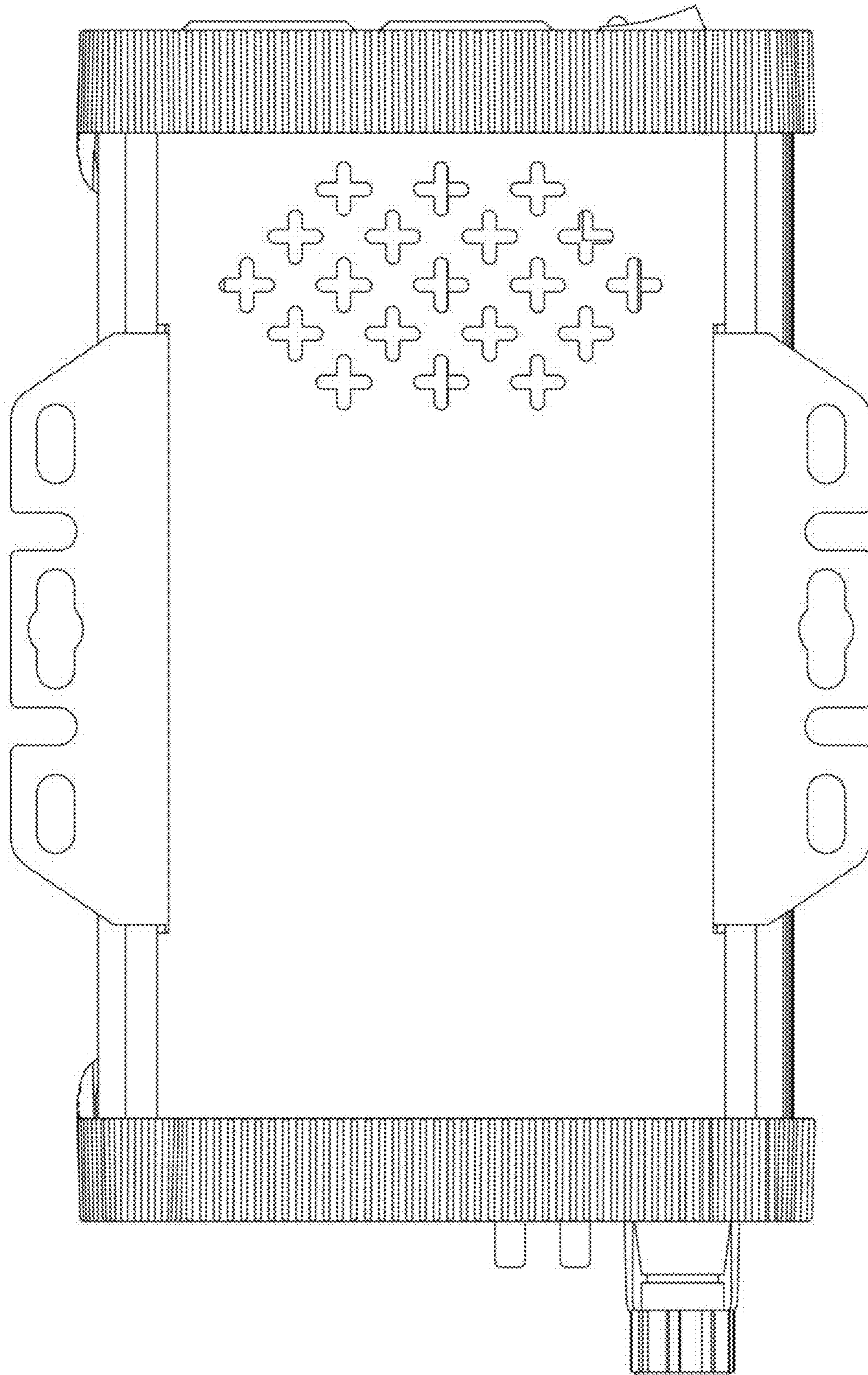


Fig. 8

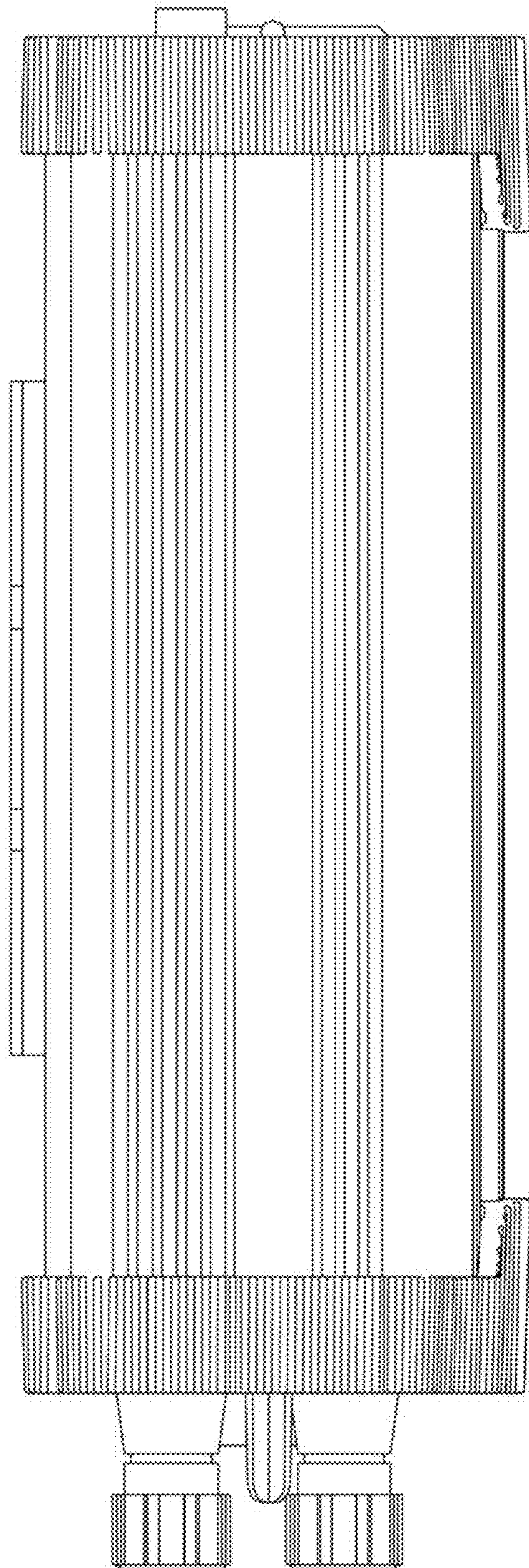


Fig. 9

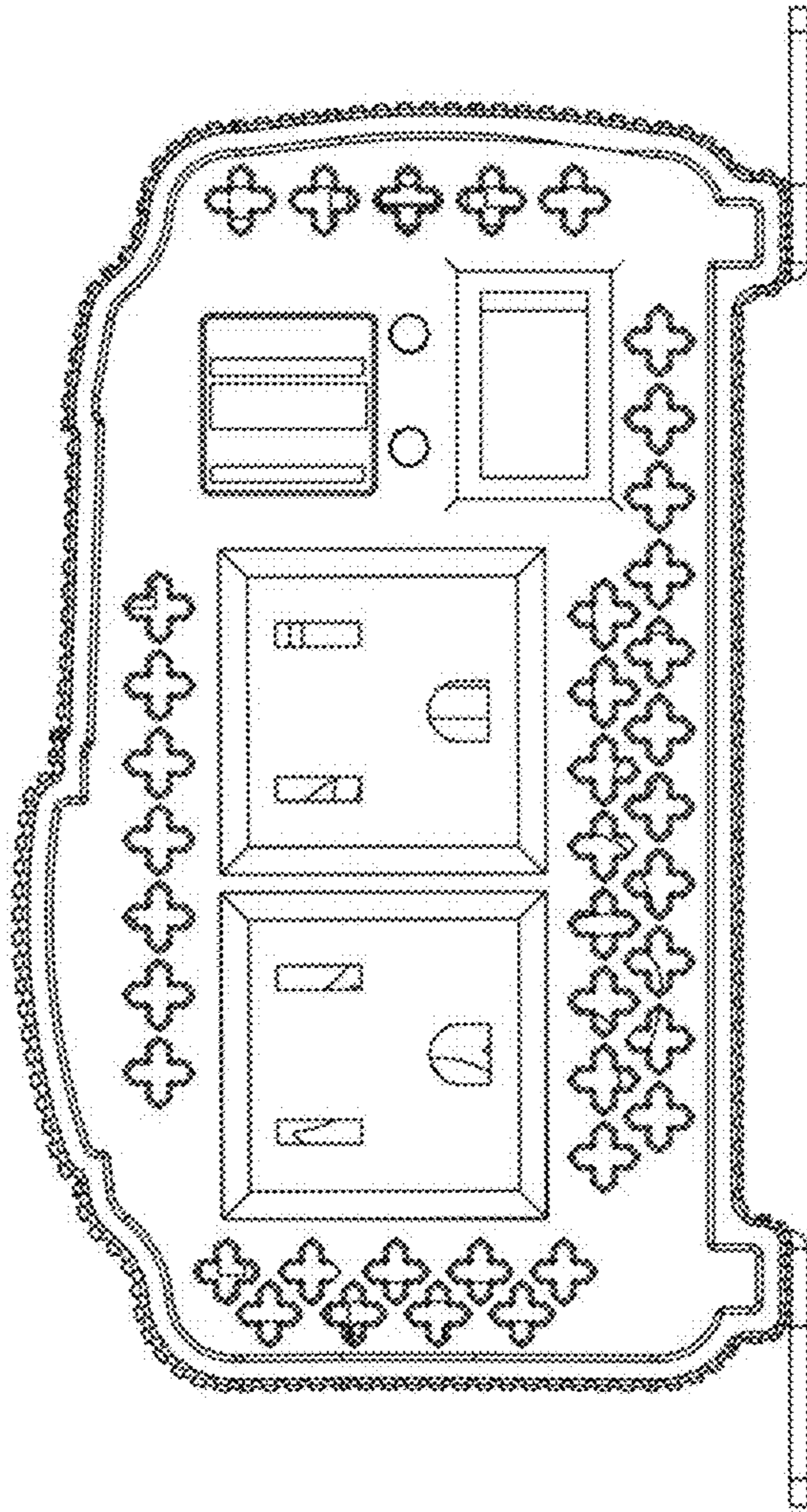


Fig. 10