



US00D931806S

(12) **United States Design Patent** (10) **Patent No.:** **US D931,806 S**
Chen (45) **Date of Patent:** **** Sep. 28, 2021**

(54) **POWER BANK**
(71) Applicant: **Shenzhen Vanyust Technology Limited, Shenzhen (CN)**
(72) Inventor: **Dashun Chen, Shenzhen (CN)**
(**) Term: **15 Years**
(21) Appl. No.: **29/762,314**
(22) Filed: **Dec. 16, 2020**
(51) **LOC (13) Cl.** **13-02**
(52) **U.S. Cl.**
USPC **D13/108; D13/103**
(58) **Field of Classification Search**
USPC D13/107, 108, 110, 118–119, 184, 199,
D13/103; D14/251, 253, 432, 434
CPC H02J 7/025; H02J 7/0042; H02J 7/0044;
H02J 7/0045; H02J 7/0047; H02J 7/0003;
H02J 7/00047; H02J 7/0013; H02J
7/0027; H02J 7/02
See application file for complete search history.

D862,384 S * 10/2019 Jen D13/108
D871,329 S * 12/2019 Chen D13/108
D873,215 S * 1/2020 Wu D13/108
D877,070 S * 3/2020 Lemelson D13/108
D881,807 S * 4/2020 Xu D13/108
D888,658 S * 6/2020 Urasini D13/107
D888,660 S * 6/2020 Jen D13/108
D899,360 S * 10/2020 Chen D13/108
D908,610 S * 1/2021 Woo D13/103
D908,618 S * 1/2021 Fu D13/108
D911,938 S * 3/2021 Zhou D13/108
D916,015 S * 4/2021 Li D13/108
D922,318 S * 6/2021 Miller D13/108
D924,132 S * 7/2021 Turksu D13/108

* cited by examiner

Primary Examiner — Rosemary K Tarcza

(57) **CLAIM**

The ornamental design for a power bank, as shown and described.

DESCRIPTION

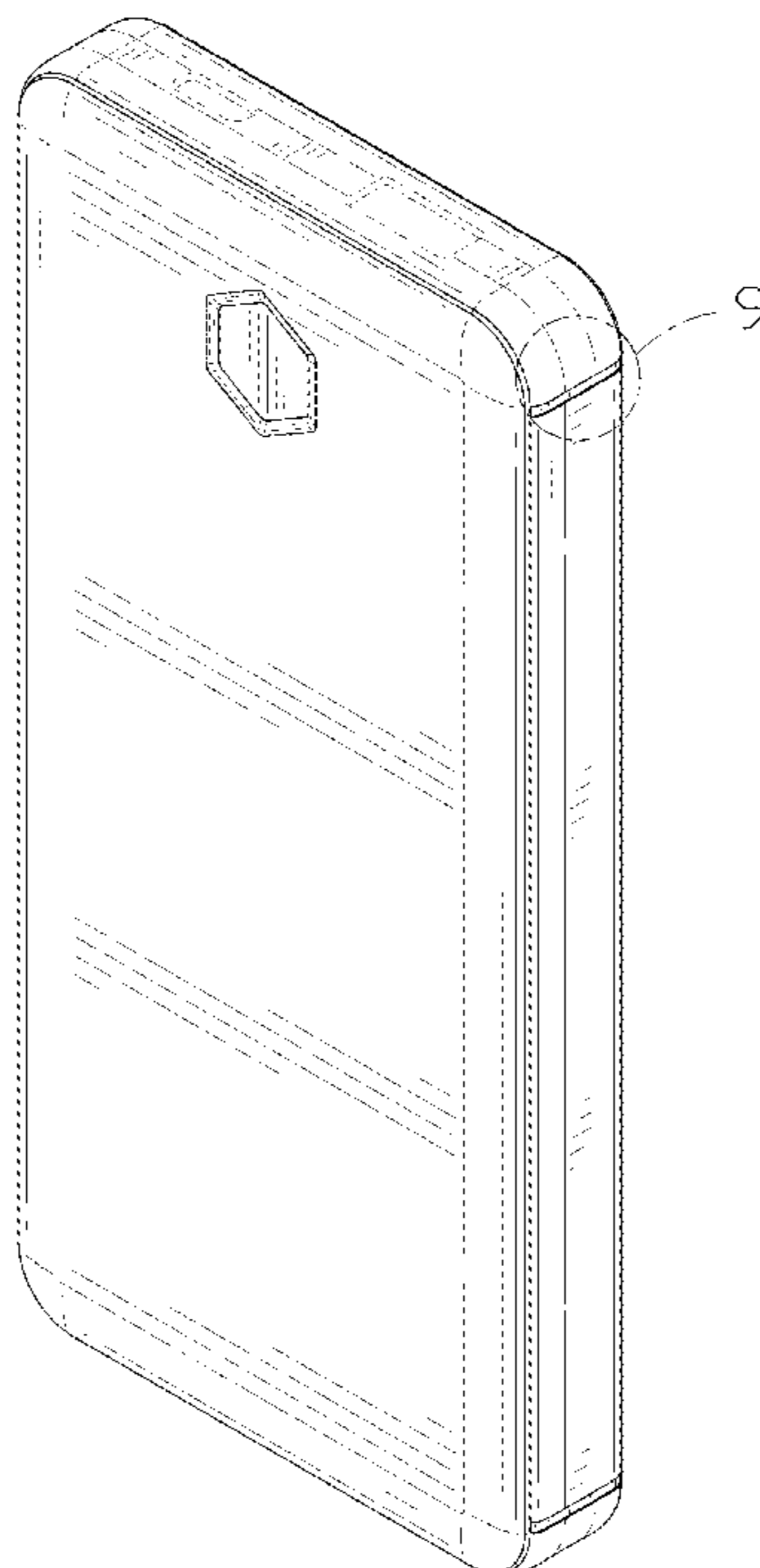
FIG. 1 is a first perspective view of a power bank showing my new design;
FIG. 2 is a second perspective view thereof;
FIG. 3 is a front view thereof;
FIG. 4 is a back view thereof;
FIG. 5 is a left side view thereof;
FIG. 6 is a right side view thereof;
FIG. 7 is a top view thereof;
FIG. 8 is a bottom view thereof; and,
FIG. 9 is an enlarged view of the selected portion in FIG. 1.
The broken lines shown in the drawings depict portions of the power bank in which the design is embodied that form no part of the claimed design.

1 Claim, 9 Drawing Sheets

(56) **References Cited**

U.S. PATENT DOCUMENTS

D492,250 S * 6/2004 Alviar D13/110
D680,063 S * 4/2013 Sasada D13/103
D713,786 S * 9/2014 Wen D13/108
D742,822 S 11/2015 Ju
D743,332 S 11/2015 Ju et al.
D762,168 S * 7/2016 Sandoval D13/107
D783,527 S * 4/2017 Hao D13/110
D797,663 S * 9/2017 Miller D13/107
D803,151 S * 11/2017 Zhou D13/107
D823,243 S * 7/2018 Toscani D13/107
D860,933 S * 9/2019 Sun D13/108



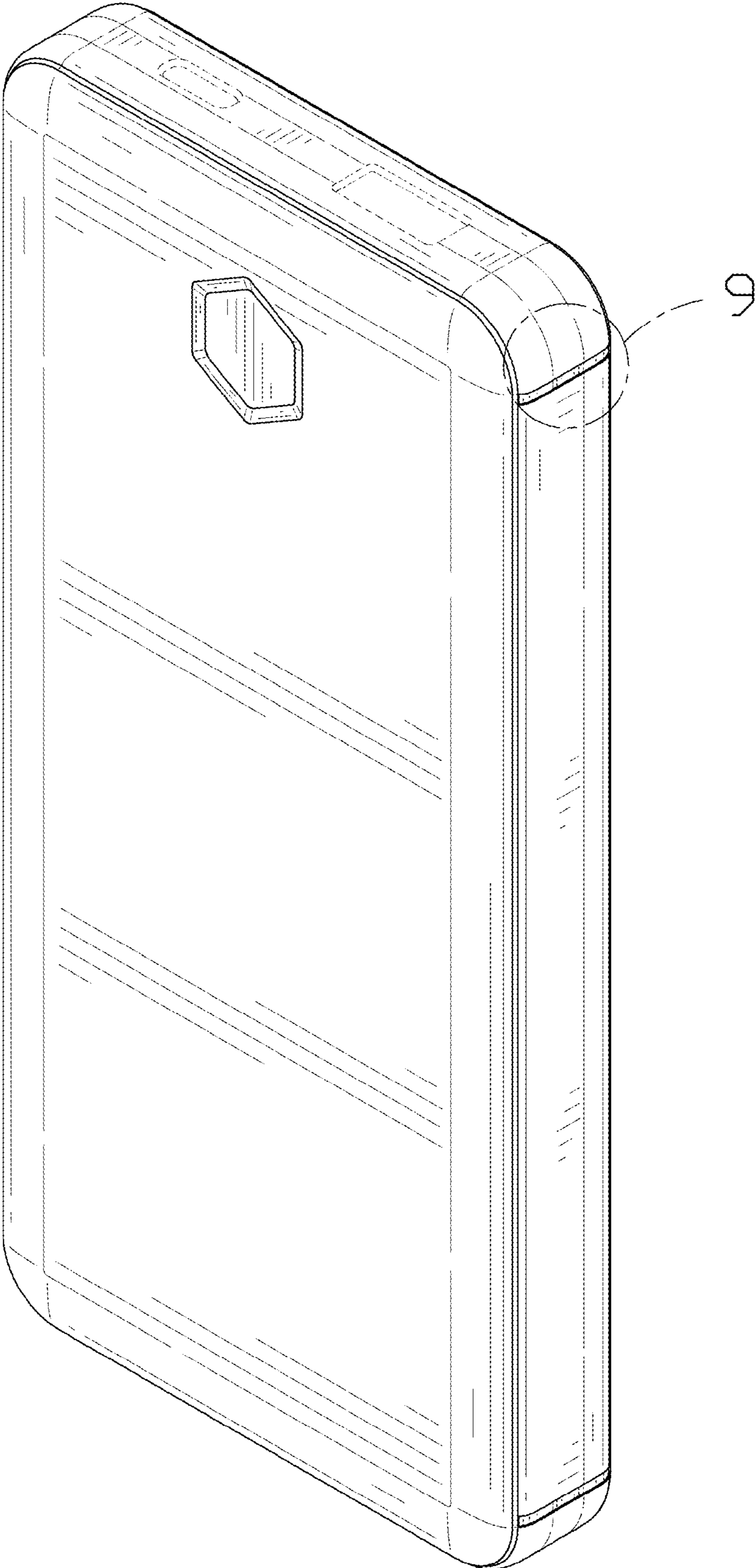


FIG. 1

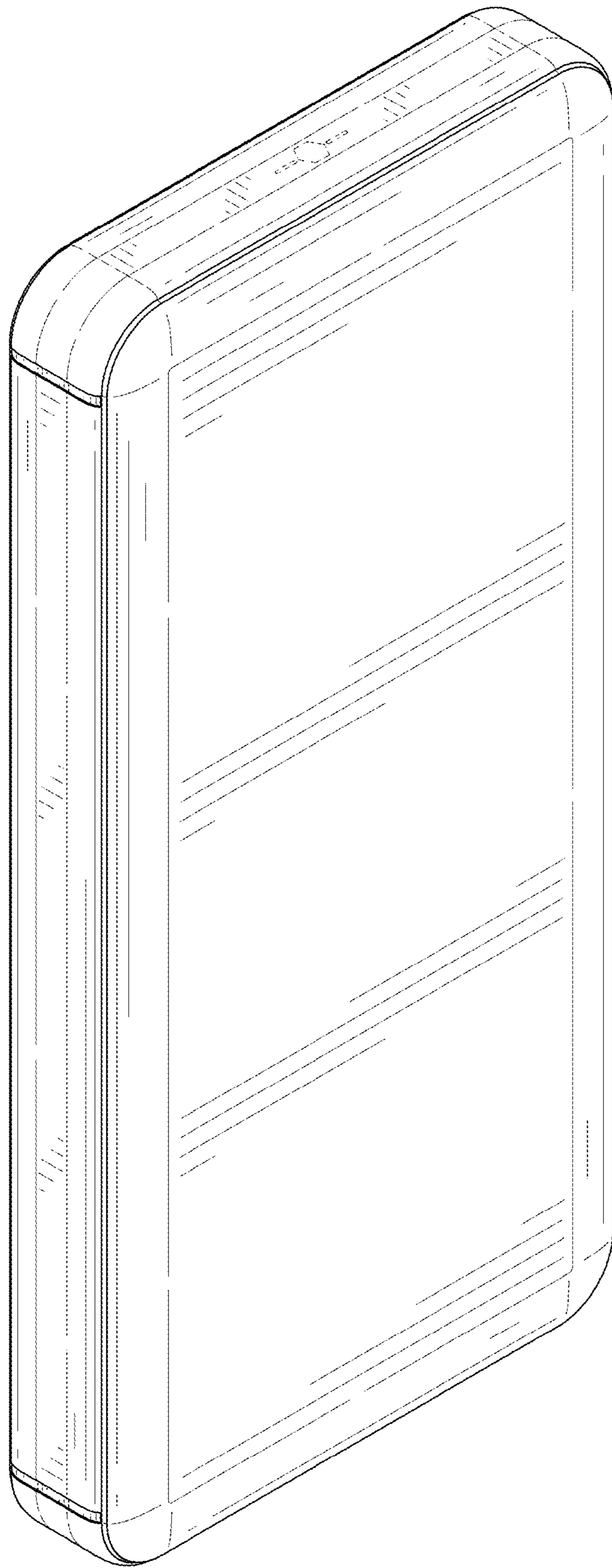


FIG. 2

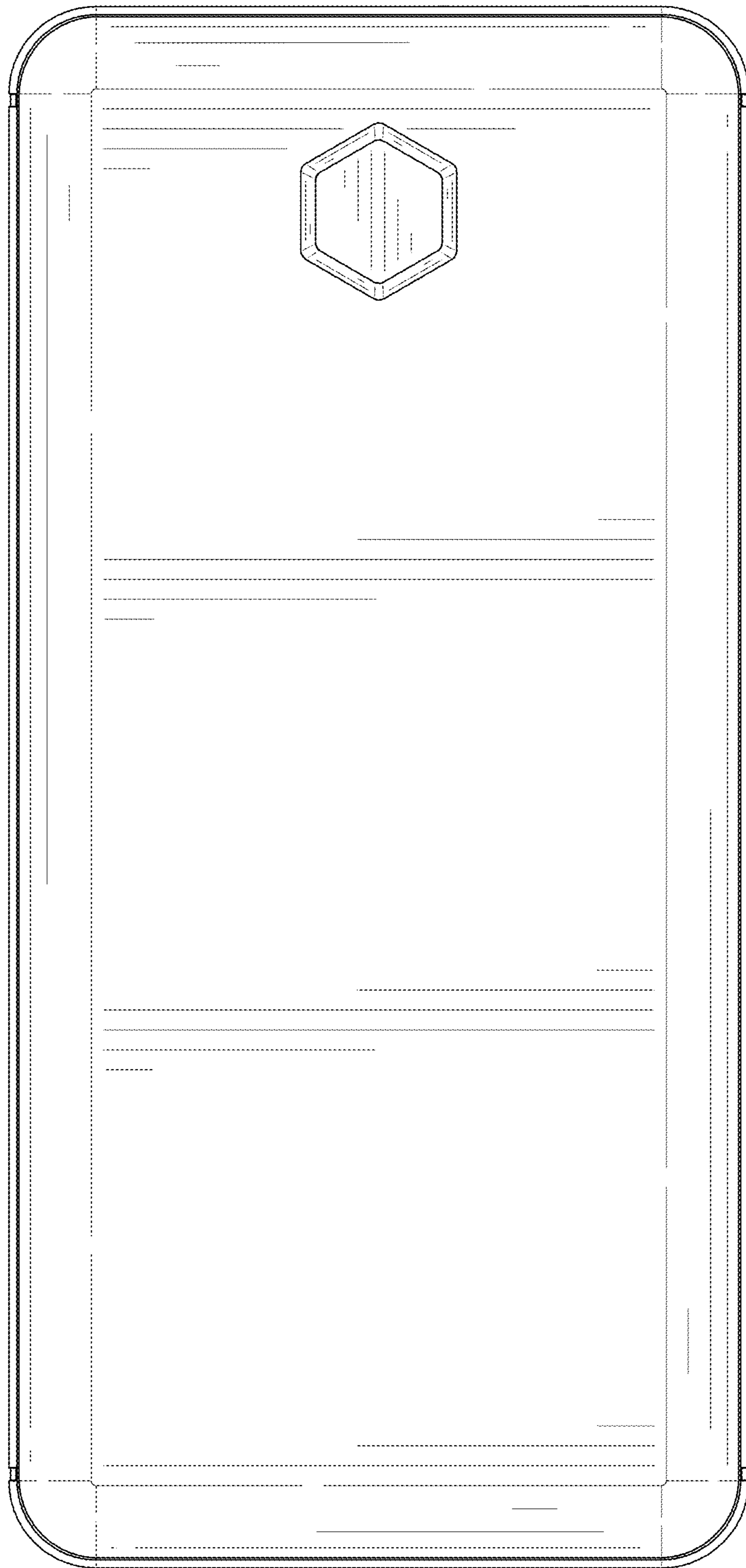


FIG. 3

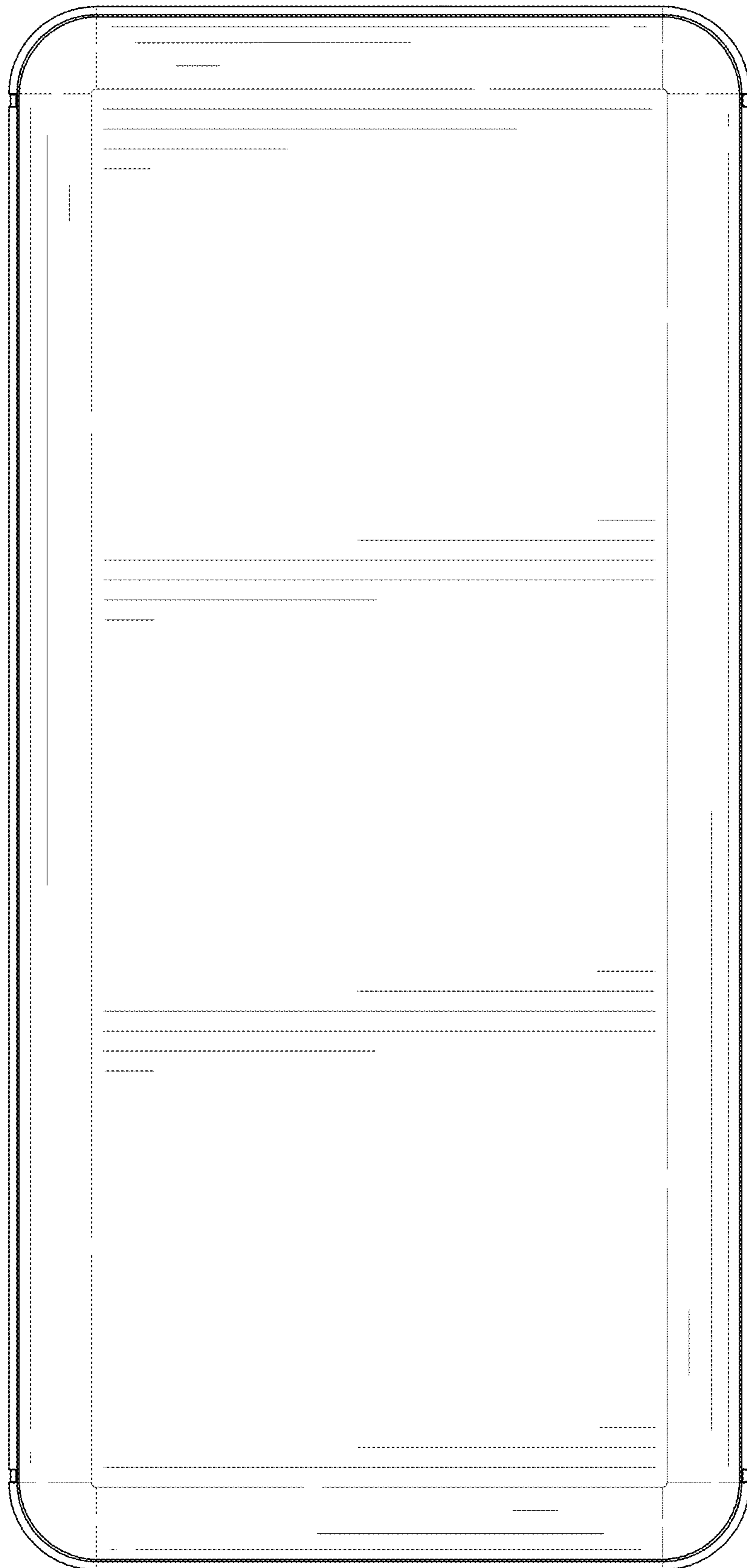


FIG. 4

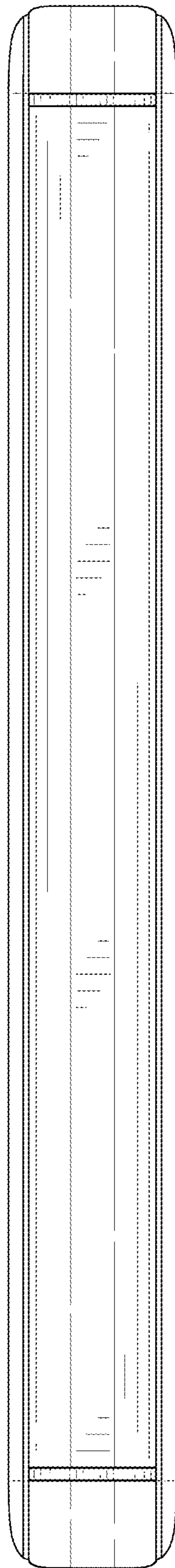


FIG. 5

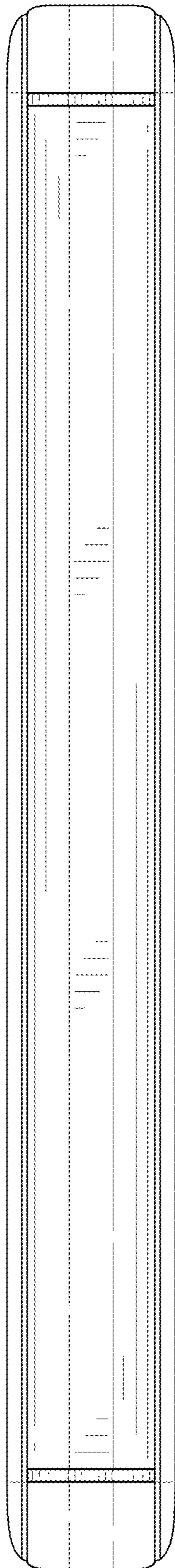


FIG. 6

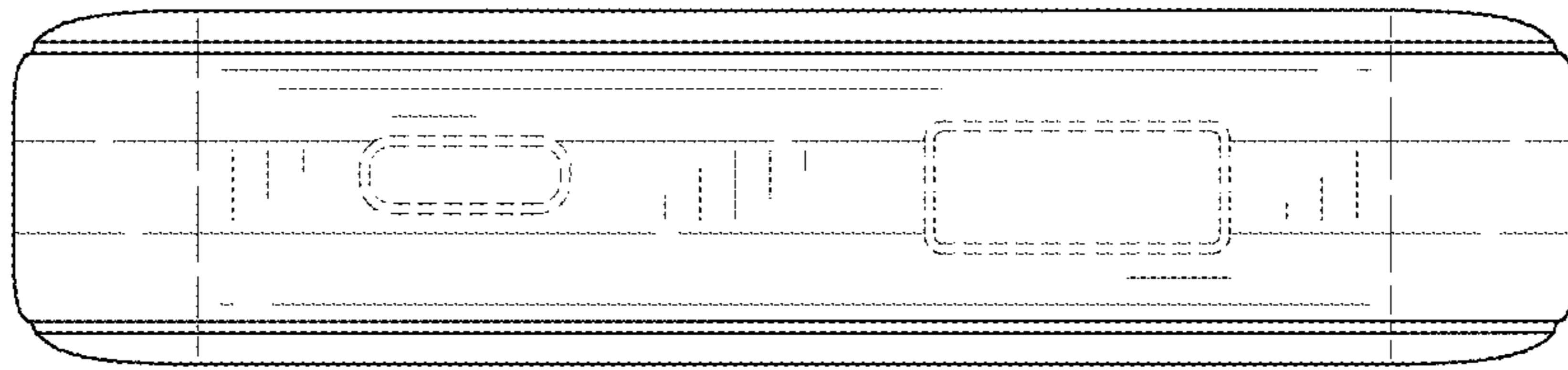


FIG. 7

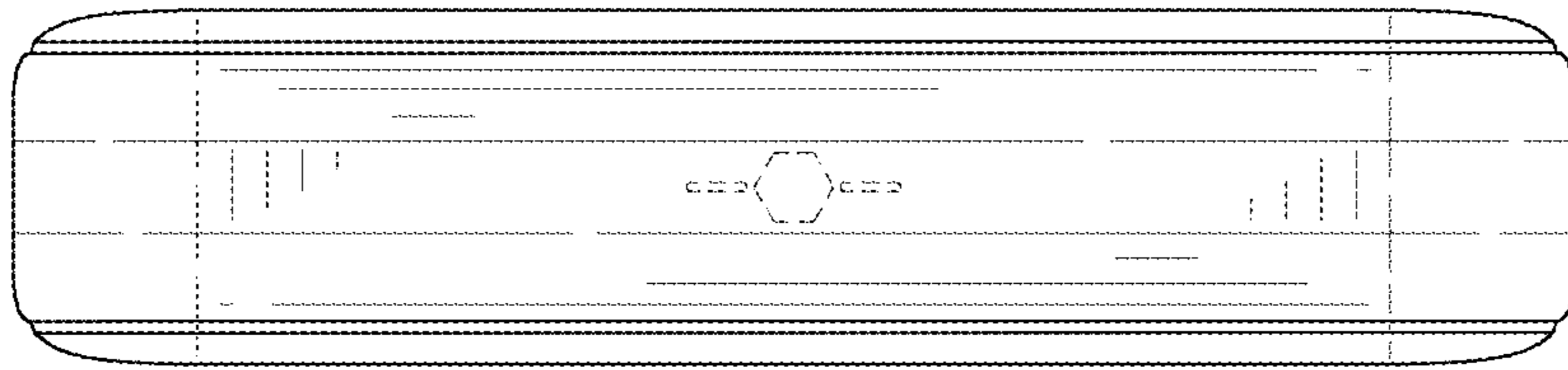


FIG. 8

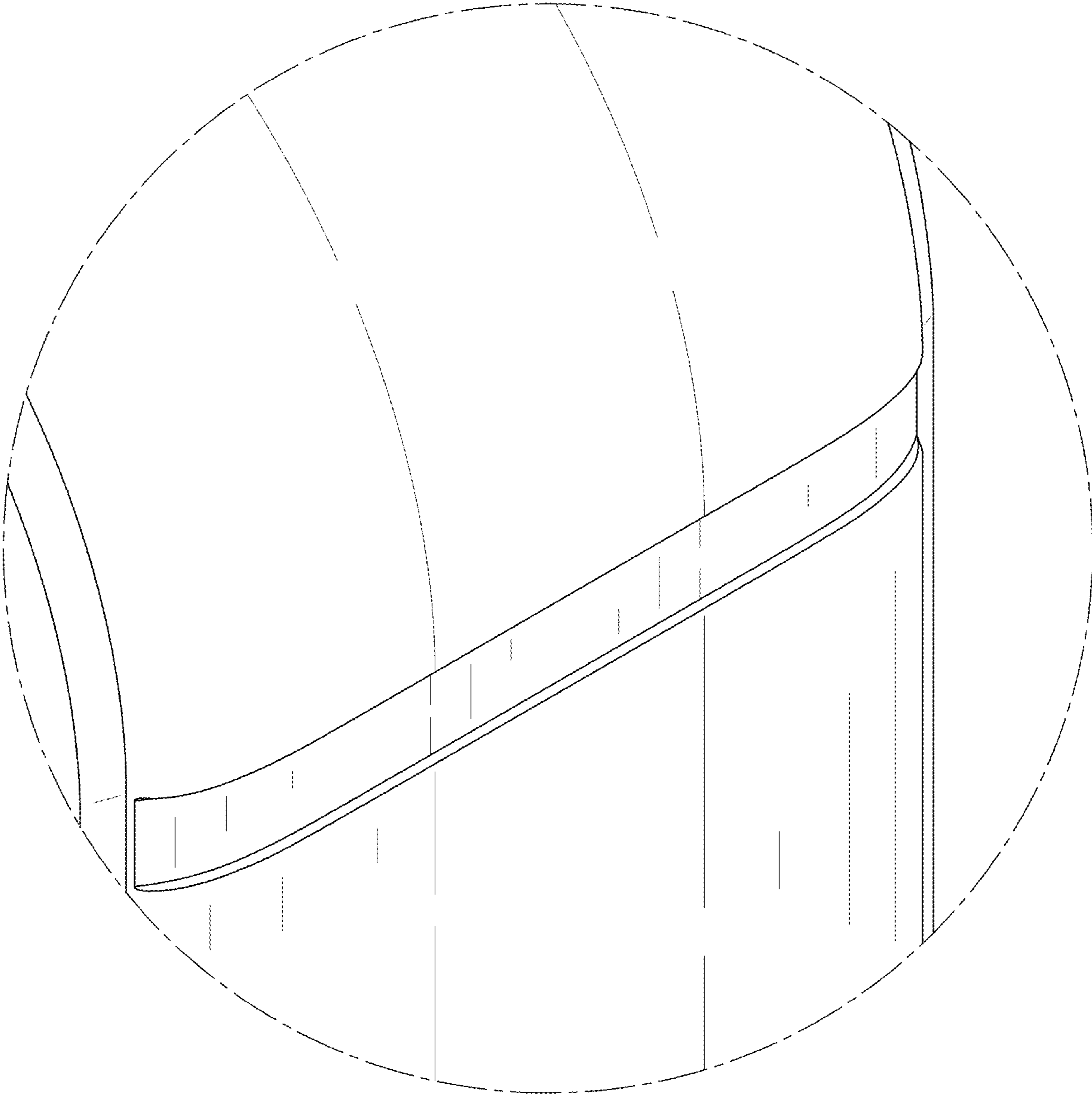


FIG. 9