



US00D931805S

(12) **United States Design Patent** (10) **Patent No.:** **US D931,805 S**  
**Palladino et al.** (45) **Date of Patent:** **\*\* Sep. 28, 2021**

- (54) **DOCK FOR WAND VACUUM**
- (71) Applicant: **SHARKNINJA OPERATING LLC**,  
Needham, MA (US)
- (72) Inventors: **Gary Palladino**, Sommerville, MA  
(US); **Colby Higgins**, Hyde Park, MA  
(US)
- (73) Assignee: **APPLIED OPTOELECTRONICS,  
INC.**, Sugar Land, TX (US)
- (\*\*) Term: **15 Years**
- (21) Appl. No.: **29/731,180**
- (22) Filed: **Apr. 13, 2020**

D669,028 S *	10/2012	Ino .....	D13/108
D763,263 S *	8/2016	Wierenga .....	D14/434
D772,216 S *	11/2016	Lau .....	D14/253
D815,594 S *	4/2018	Chen .....	D13/108
D817,872 S *	5/2018	Oguchi .....	D13/107
D858,438 S *	9/2019	Levy .....	D13/108
D896,750 S *	9/2020	Tokoi .....	D13/108
D897,949 S *	10/2020	Pearce .....	D13/108

\* cited by examiner

*Primary Examiner* — Rosemary K Tarcza  
(74) *Attorney, Agent, or Firm* — Grossman, Tucker,  
Perreault & Pflieger, PLLC

(57) **CLAIM**

The ornamental design for a dock for a wand vacuum, as shown and described.

**Related U.S. Application Data**

- (63) Continuation of application No. 29/658,321, filed on Jul. 30, 2018.
- (51) **LOC (13) Cl.** ..... **13-02**
- (52) **U.S. Cl.**  
USPC ..... **D13/108**
- (58) **Field of Classification Search**  
USPC ..... D13/103, 107–110, 118–119, 184, 199;  
D14/251, 253, 432, 434; D32/31  
CPC ..... H02J 7/025; H02J 7/005; H02J 7/0026;  
H02J 7/0042; H02J 7/0044; H02J 7/0045;  
H02J 7/0013; H02J 7/0003  
See application file for complete search history.

**DESCRIPTION**

FIG. 1 is a front, right perspective view of a dock for a wand vacuum, showing a new design;  
 FIG. 2 is front, left perspective view thereof;  
 FIG. 3 is a back, left perspective view thereof;  
 FIG. 4 is a back, right perspective view thereof;  
 FIG. 5 is a bottom, front, left perspective view thereof;  
 FIG. 6 is a bottom, front, right perspective view thereof;  
 FIG. 7 is a bottom, back, left perspective view thereof;  
 FIG. 8 is a bottom, back, right perspective view thereof;  
 FIG. 9 is a top, left perspective view thereof;  
 FIG. 10 is a top, right perspective view thereof;  
 FIG. 11 is a front view thereof;  
 FIG. 12 is a back view thereof;  
 FIG. 13 is a left view thereof;  
 FIG. 14 is a right view thereof;  
 FIG. 15 is a top view thereof; and,  
 FIG. 16 is a bottom view thereof.

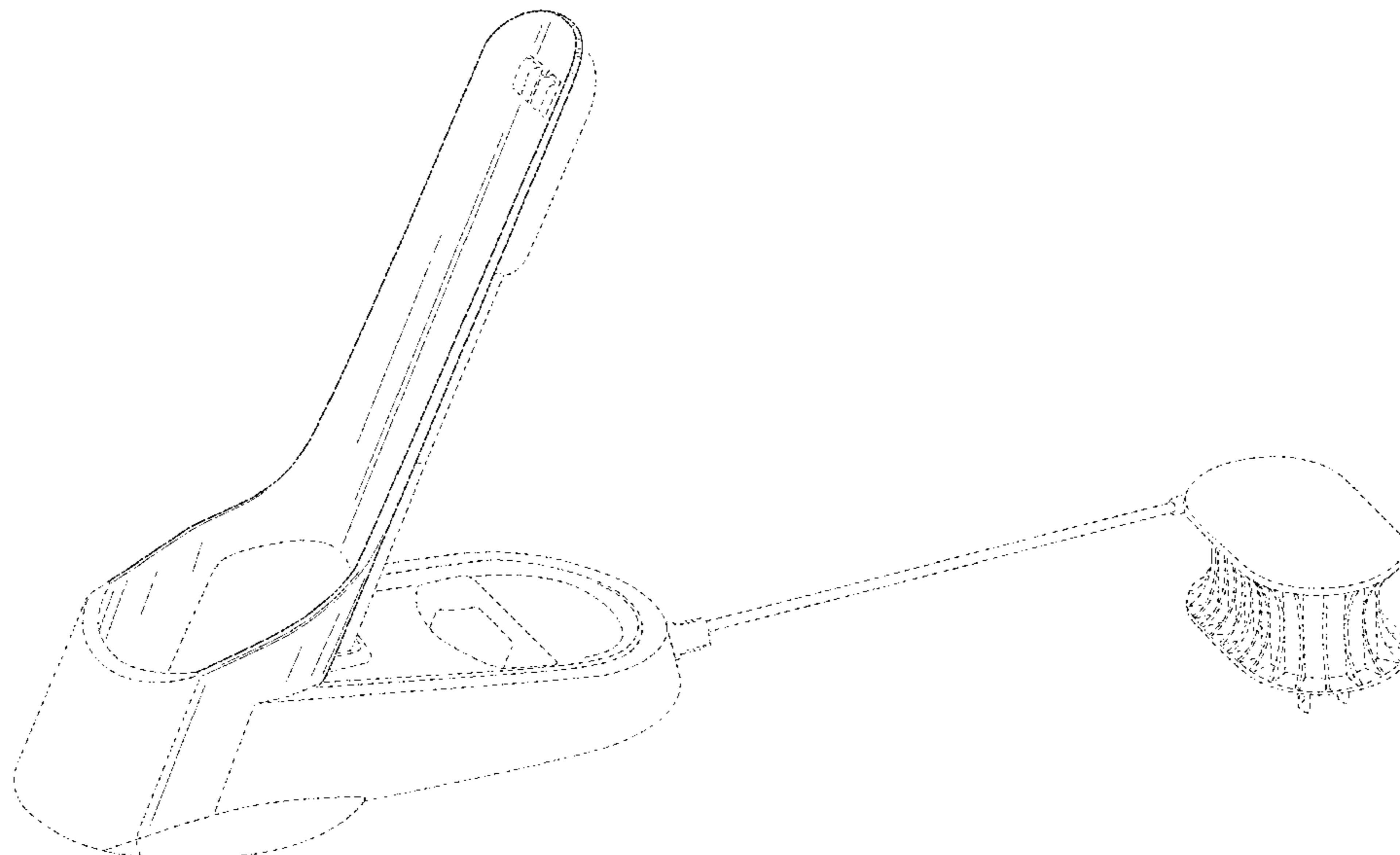
The broken lines shown in the drawings are included for purposes of illustrating portions of the dock for a wand vacuum that form no part of the claimed design.

**1 Claim, 16 Drawing Sheets**

(56) **References Cited**

**U.S. PATENT DOCUMENTS**

D416,536 S *	11/1999	Ross .....	D13/107
D559,484 S *	1/2008	Fjellman .....	D13/108
D559,485 S *	1/2008	Fjellman .....	D13/108
D594,407 S *	6/2009	Chon .....	D13/108
D597,939 S *	8/2009	Tkachuk .....	D13/108
D640,194 S *	6/2011	Kim .....	D13/108



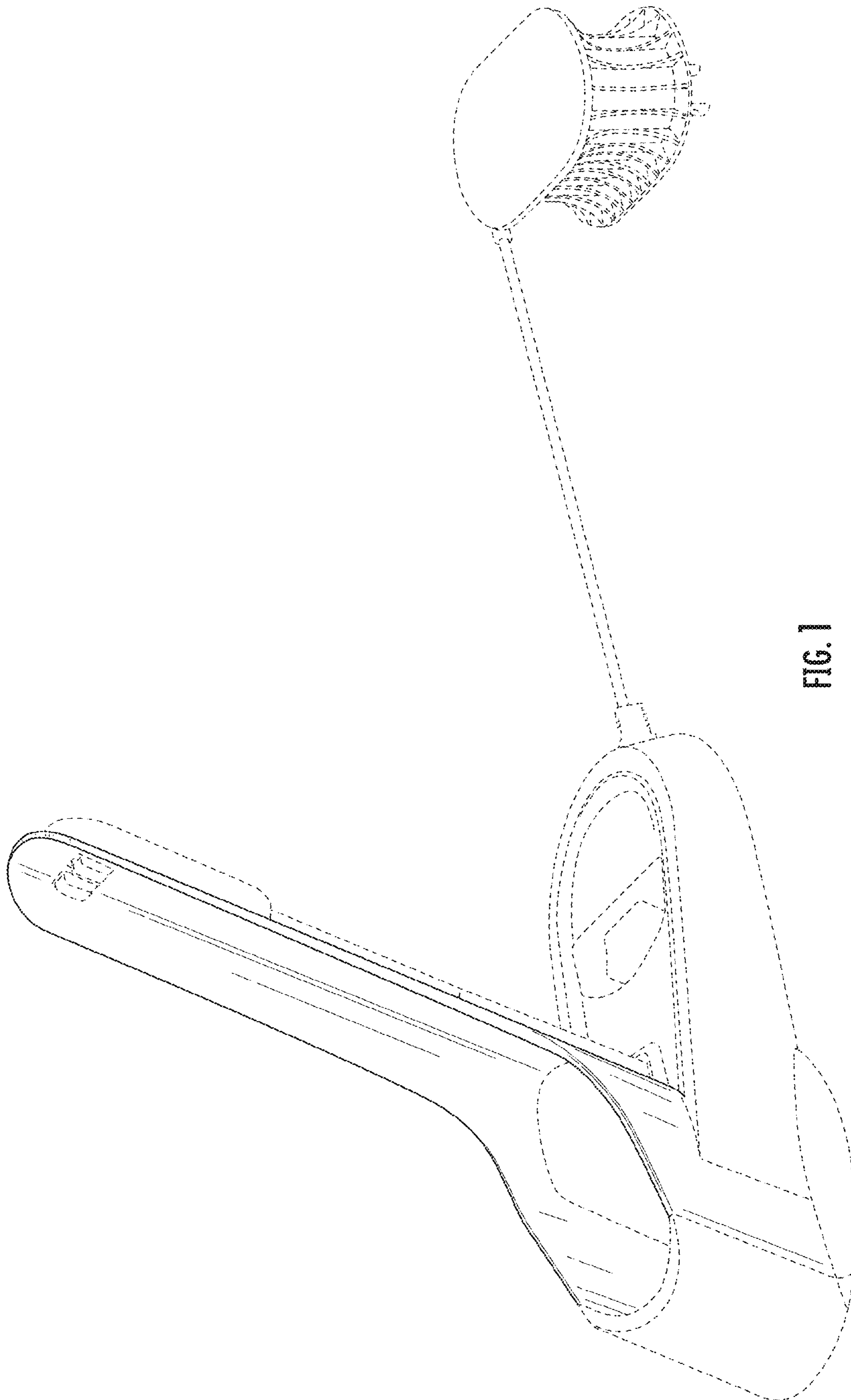


FIG. 1

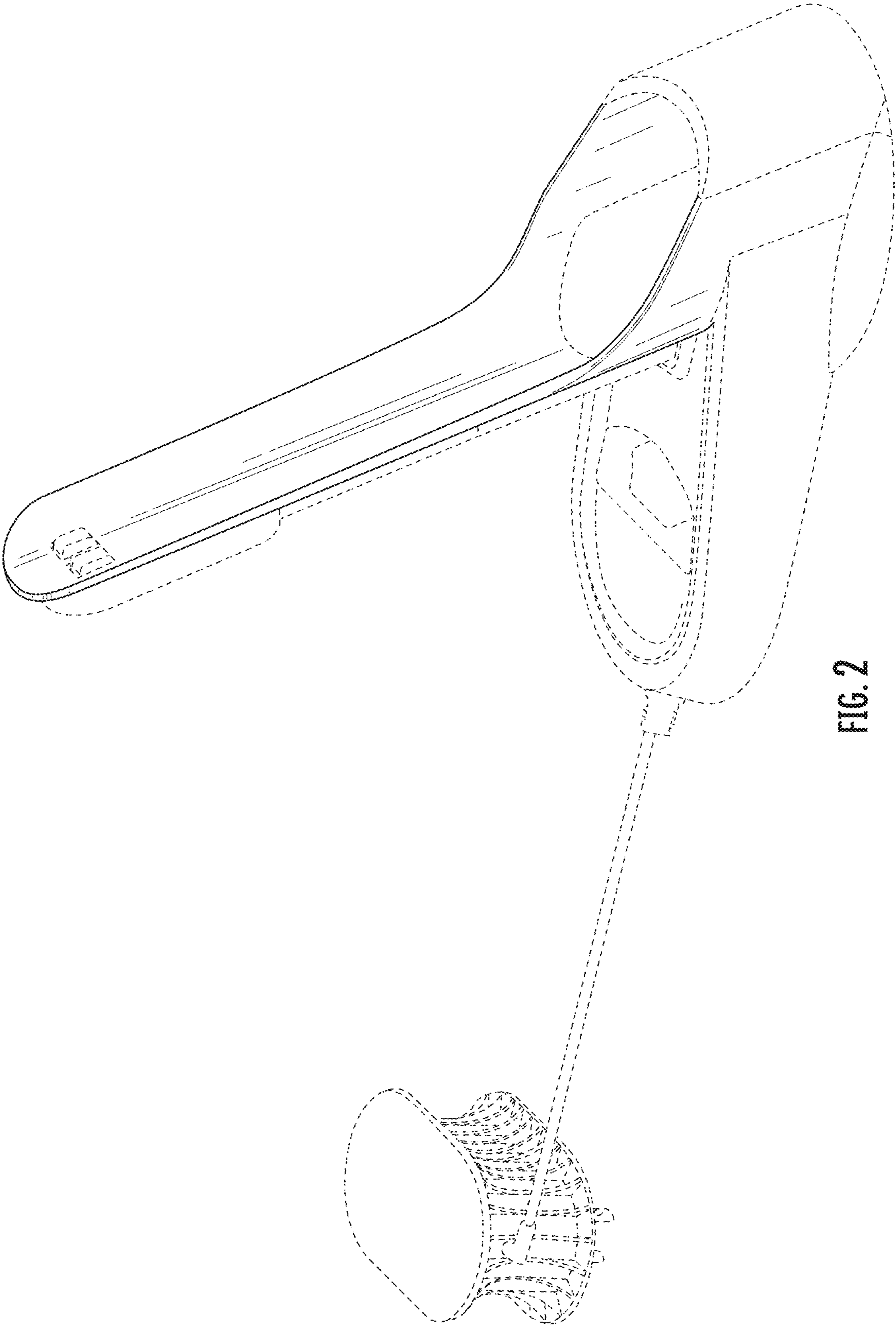


FIG. 2

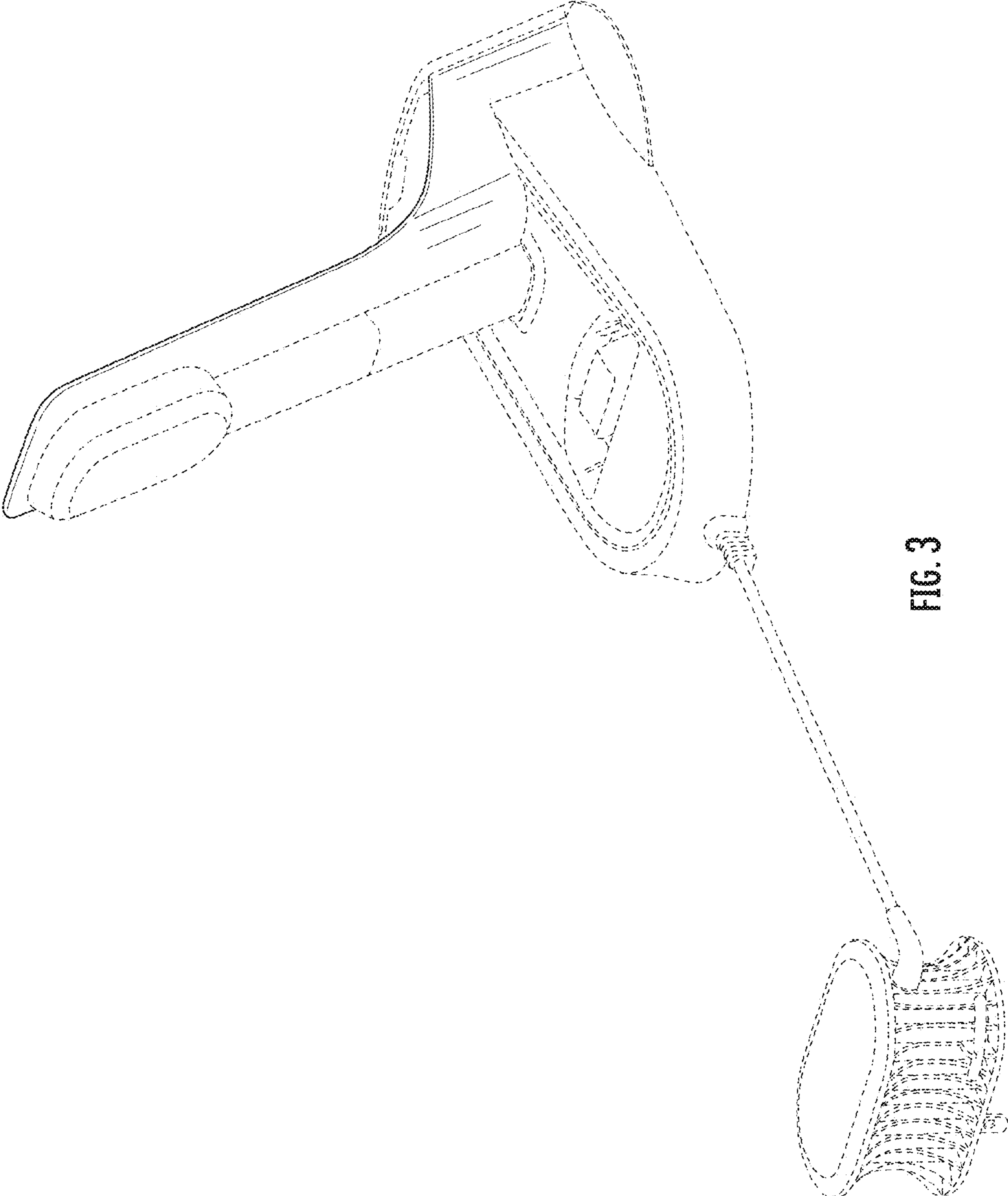


FIG. 3

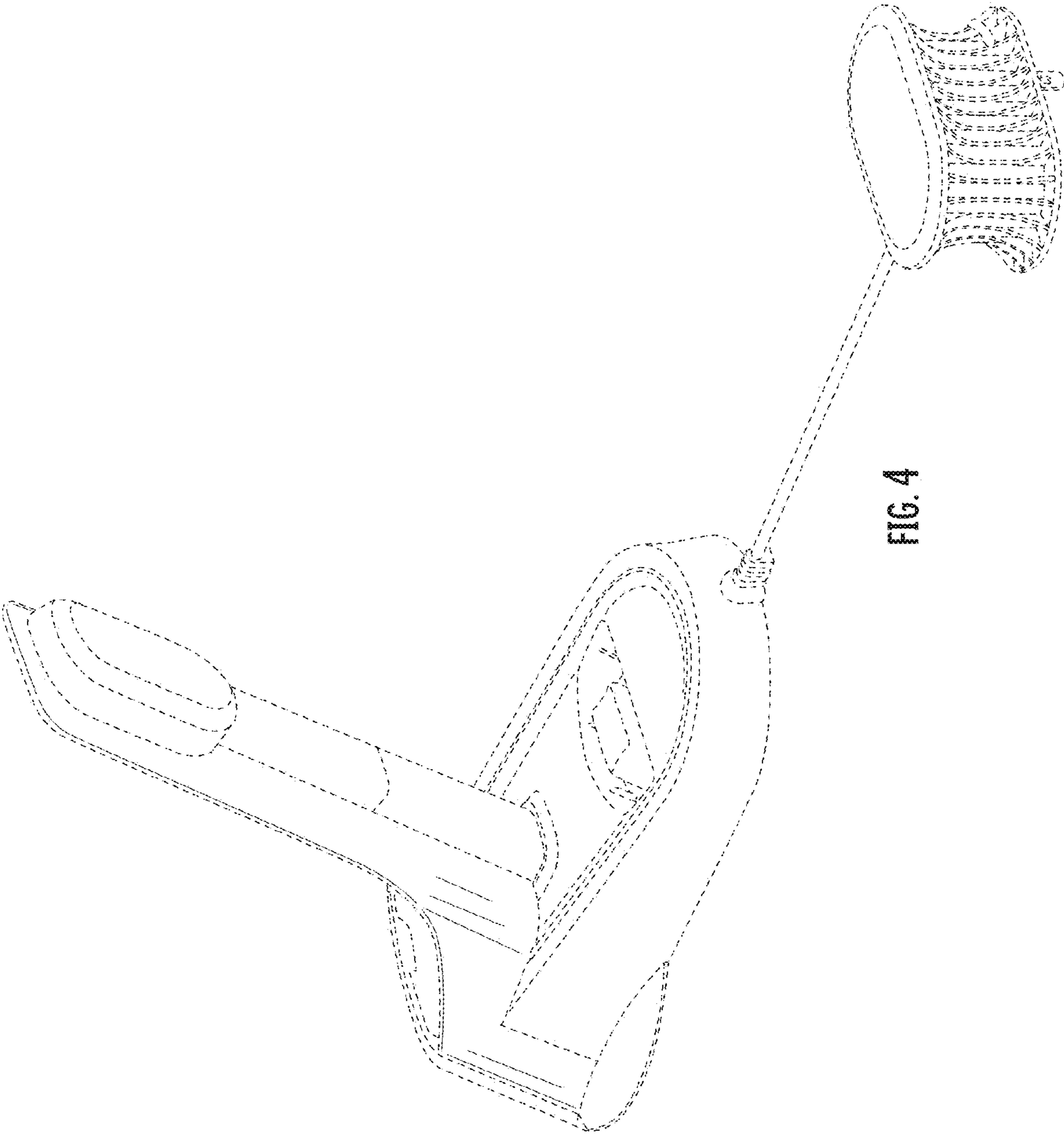


FIG. 4

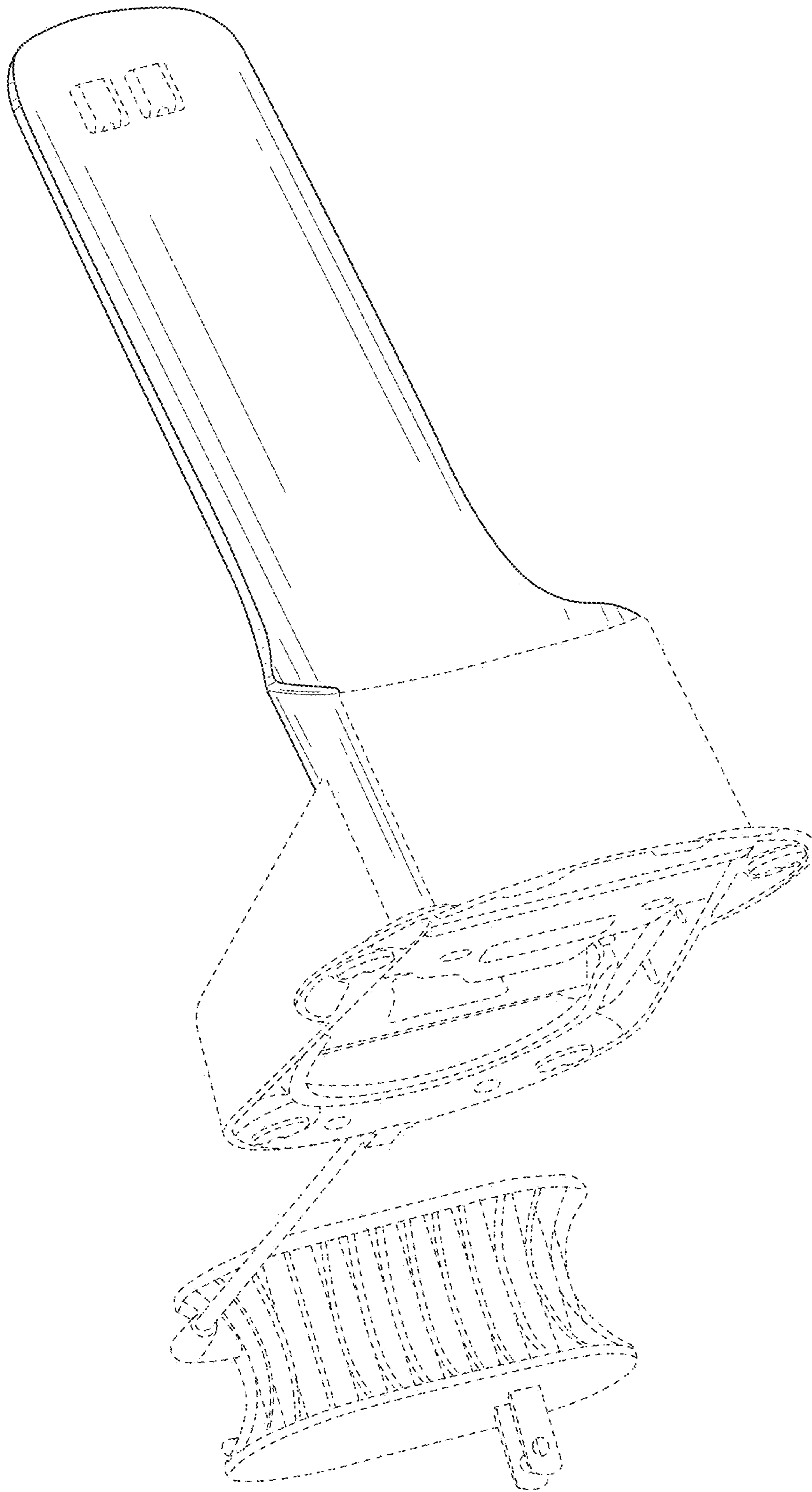


FIG. 5

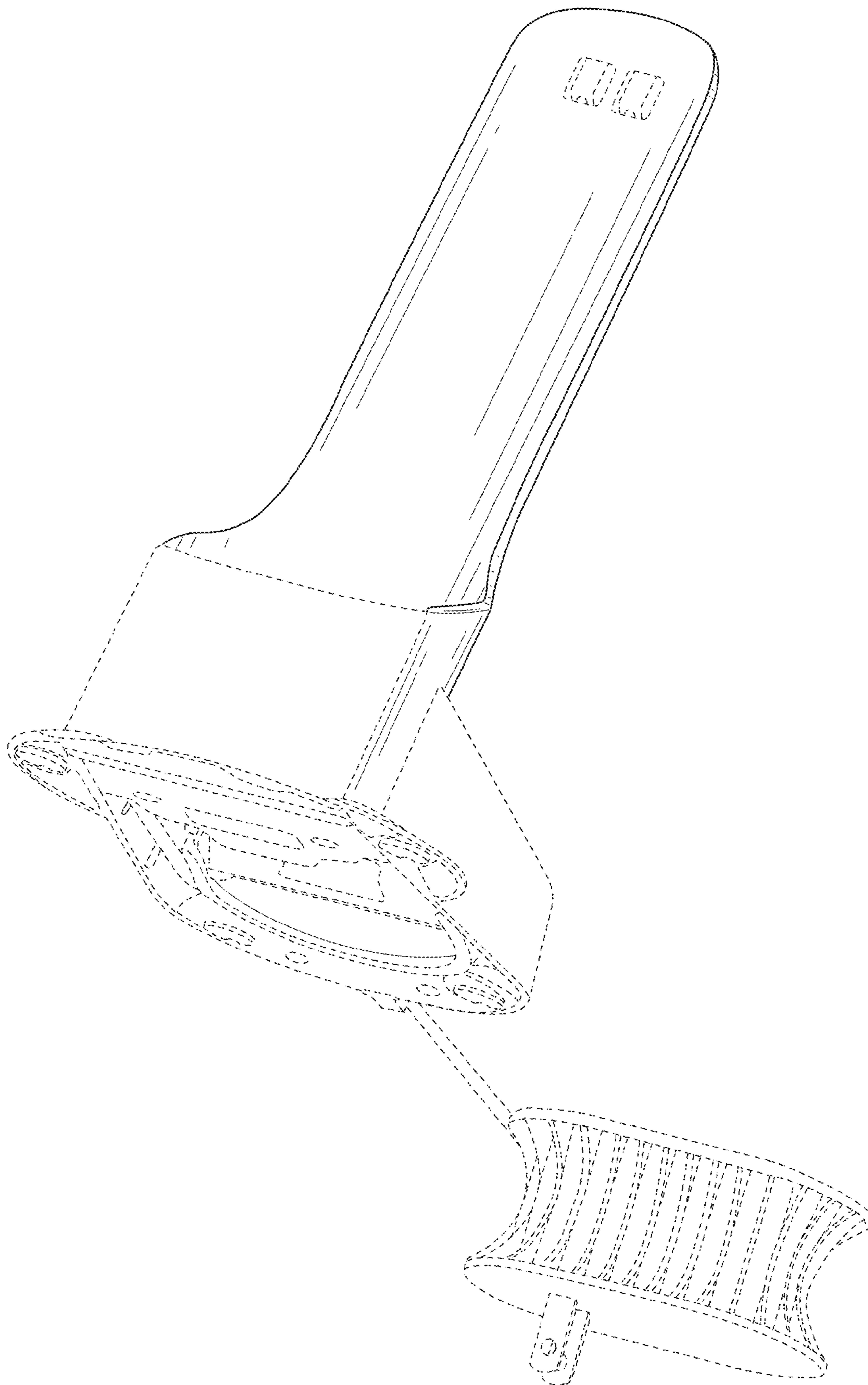


FIG. 6

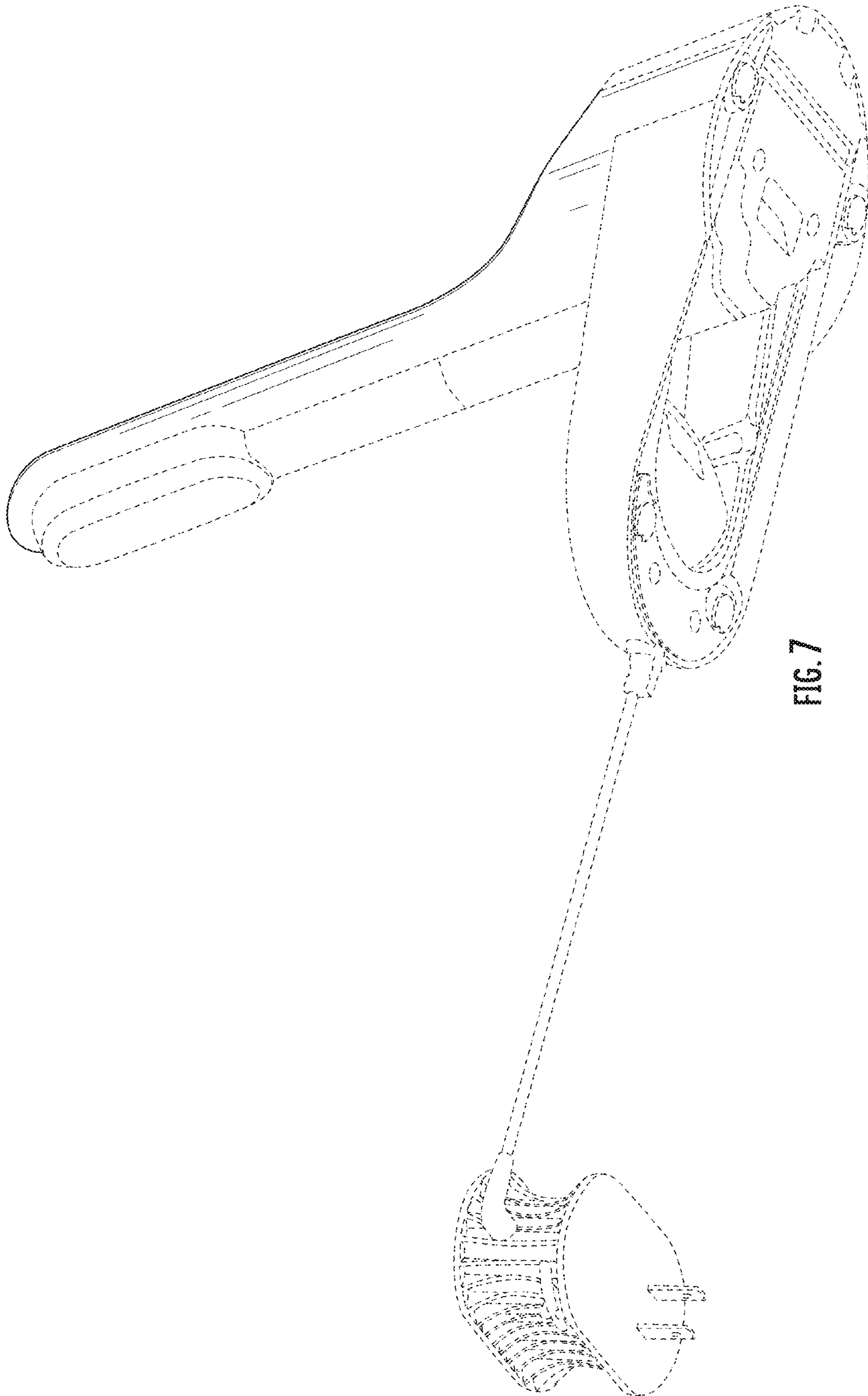


FIG. 7



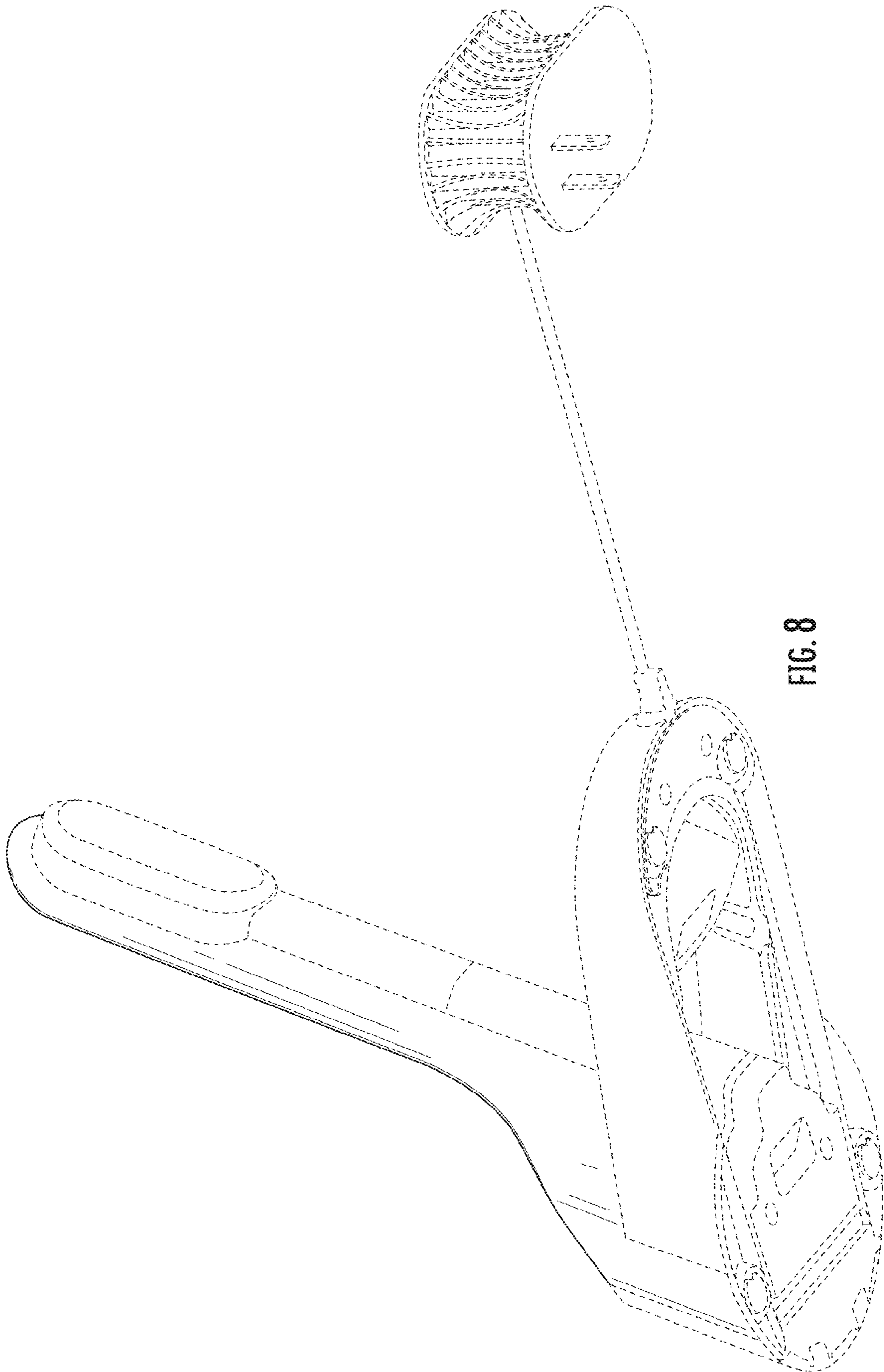


FIG. 8

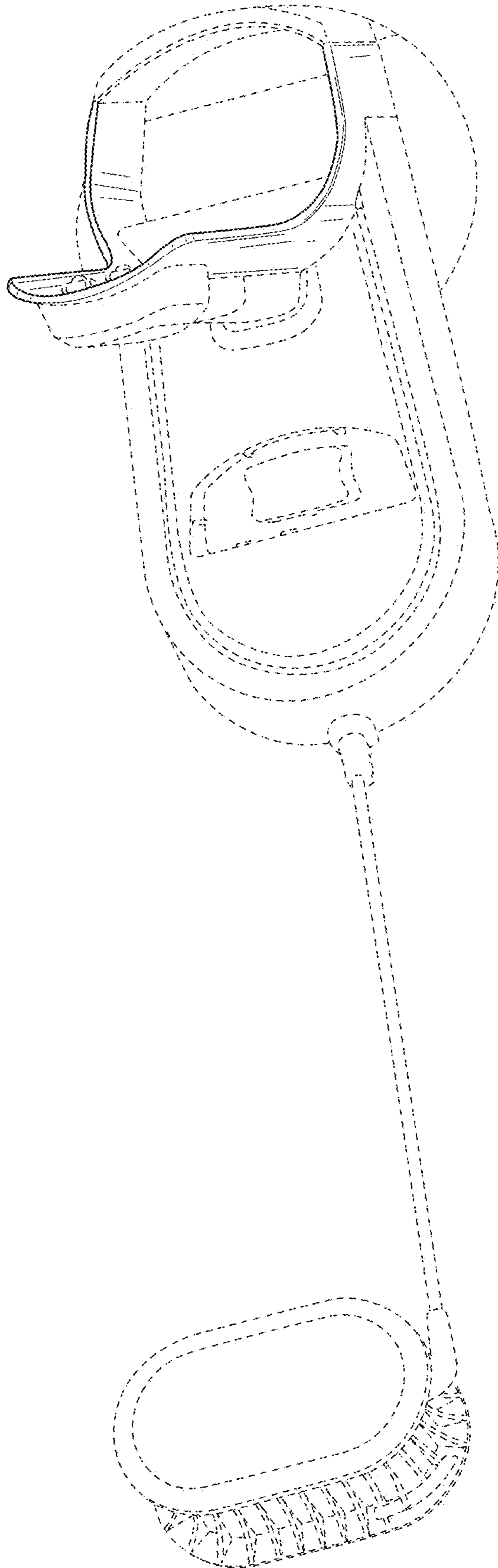


FIG. 9

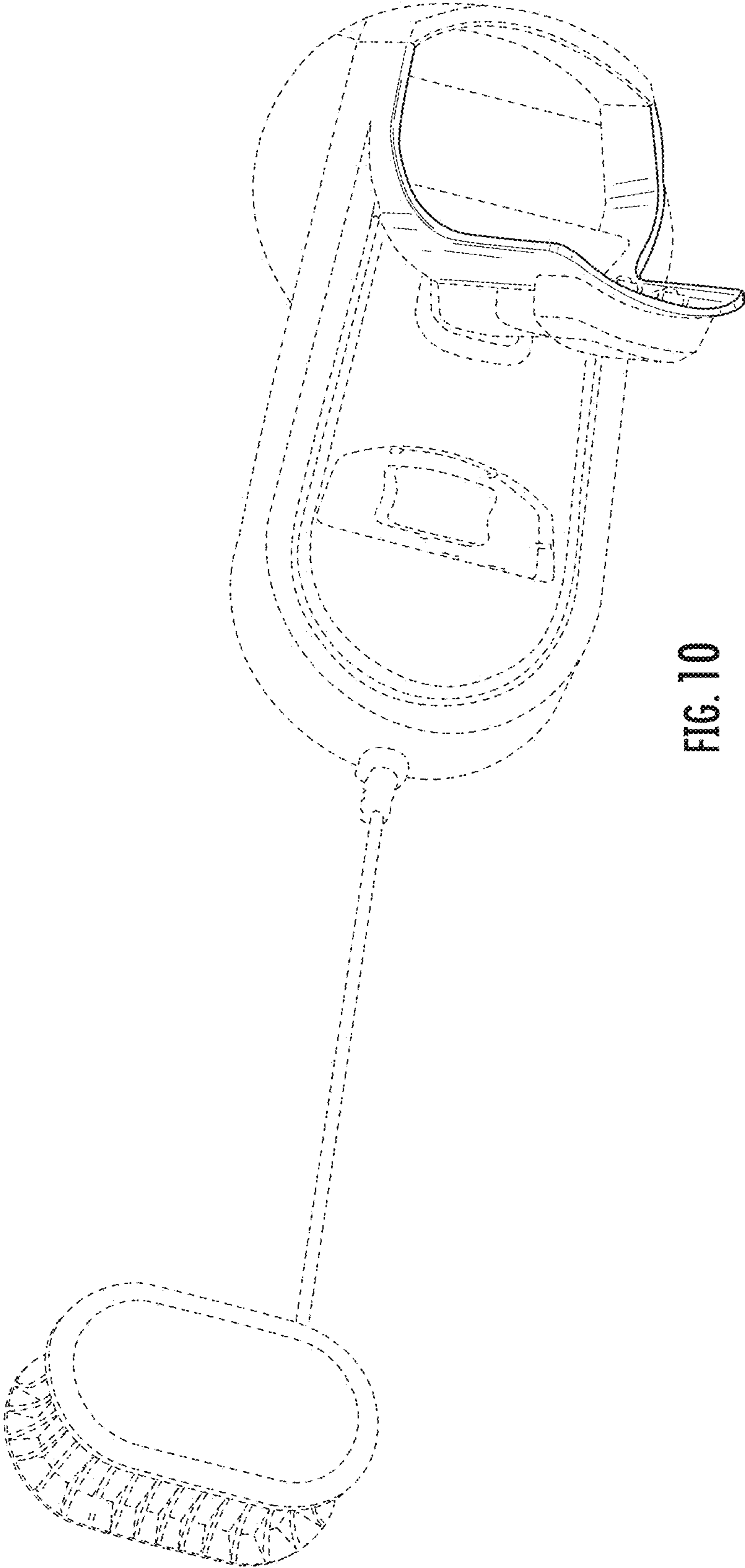


FIG. 10

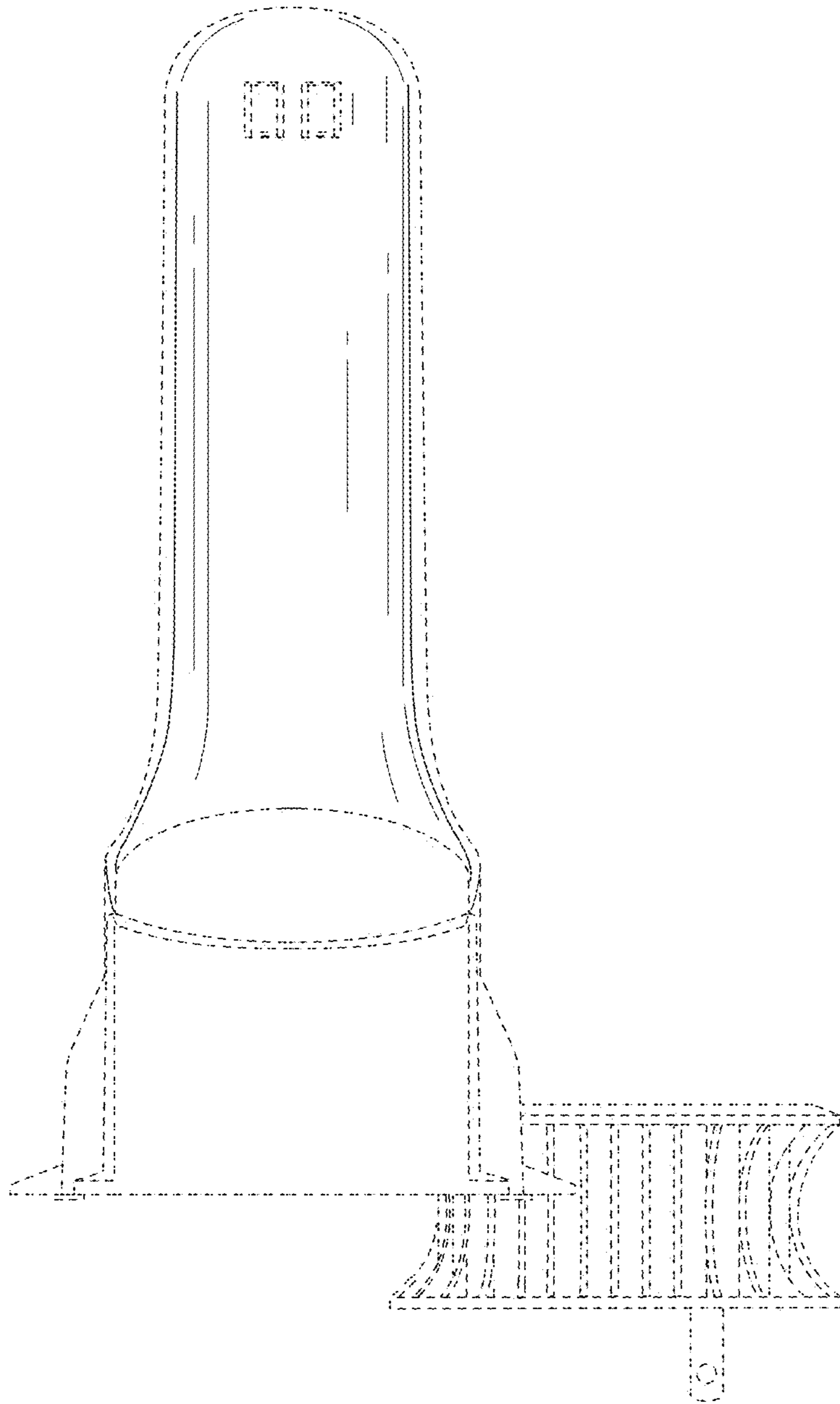


FIG. 11

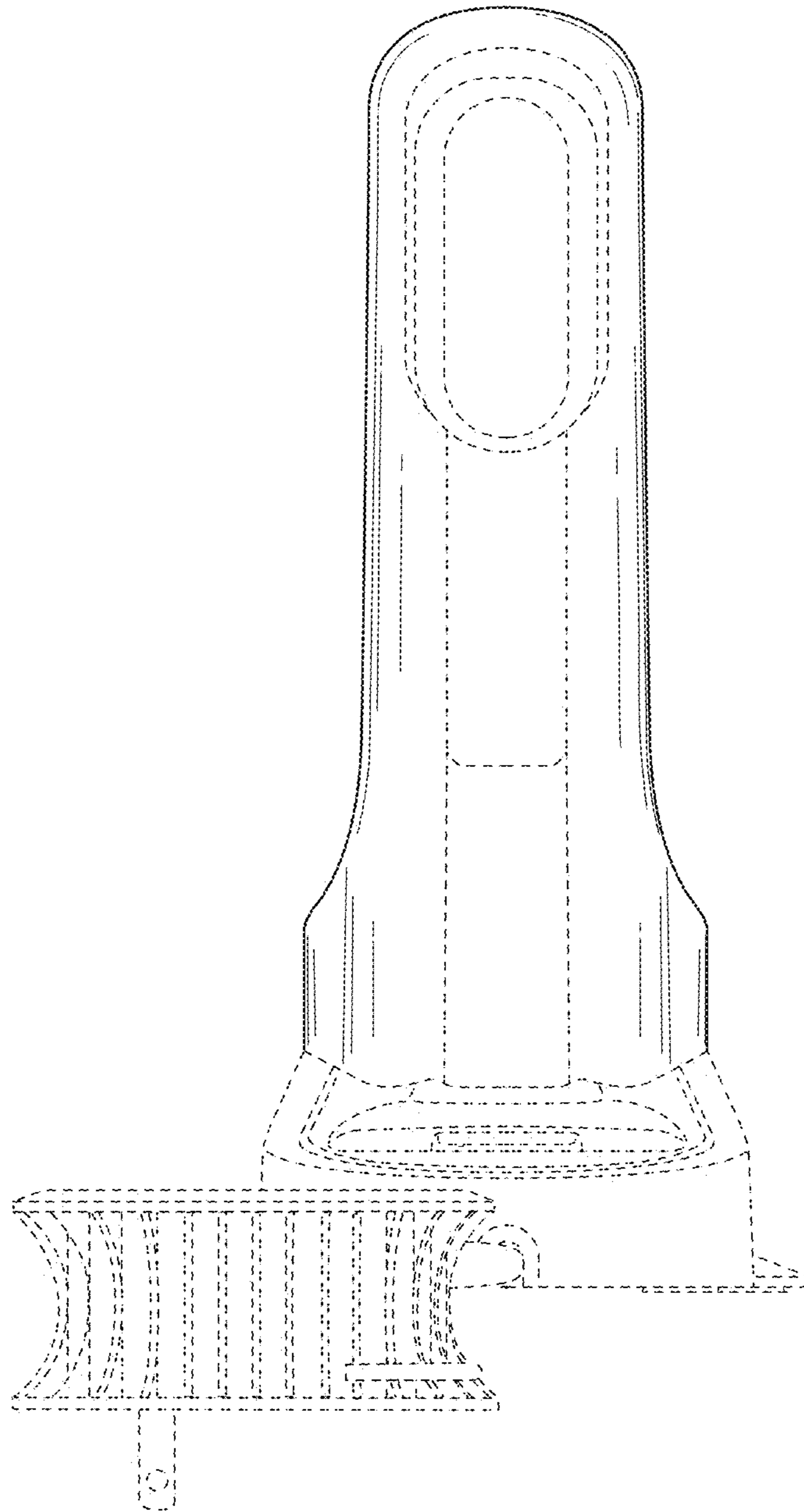


FIG. 12

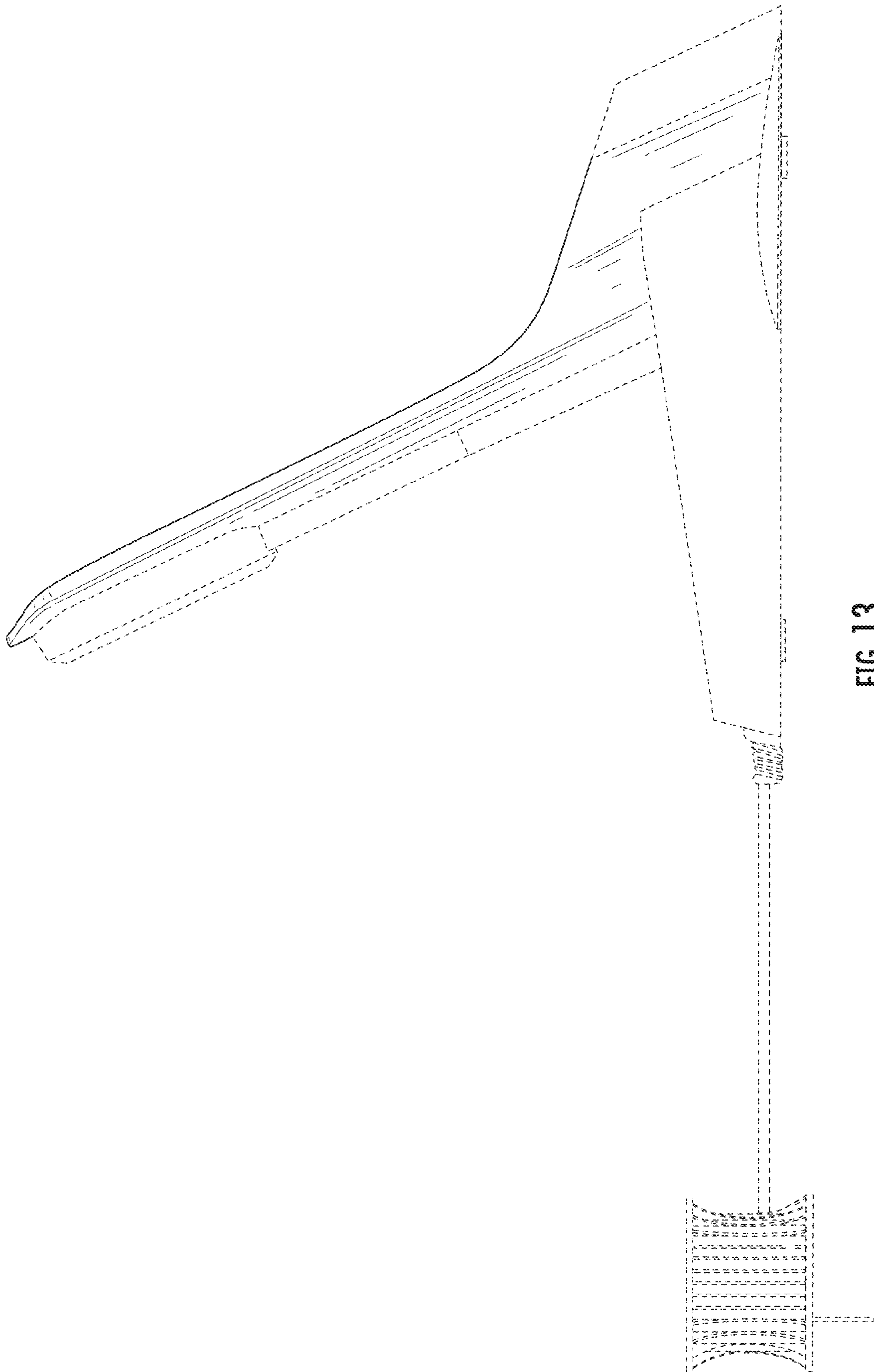


FIG. 13

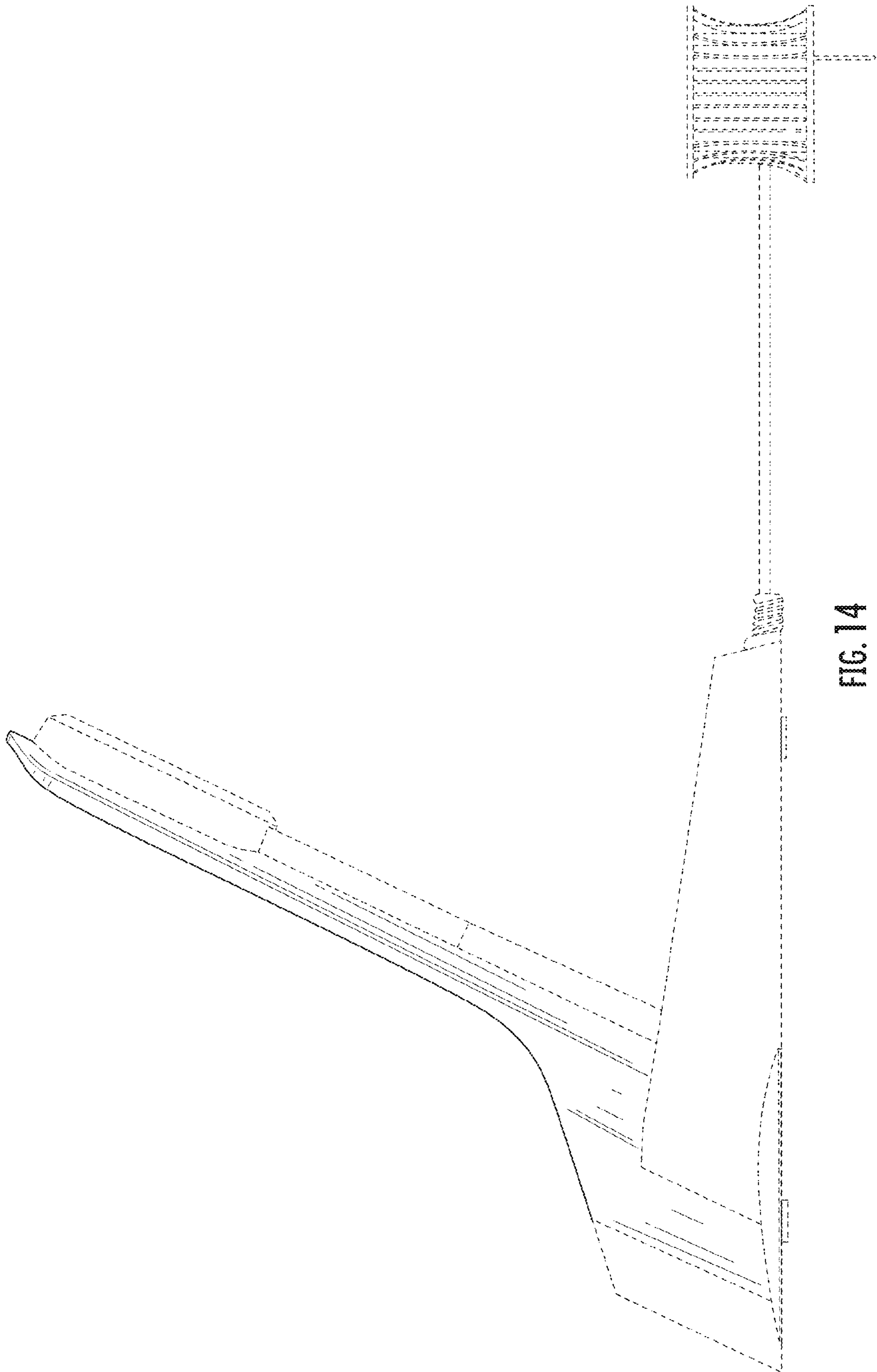


FIG. 14

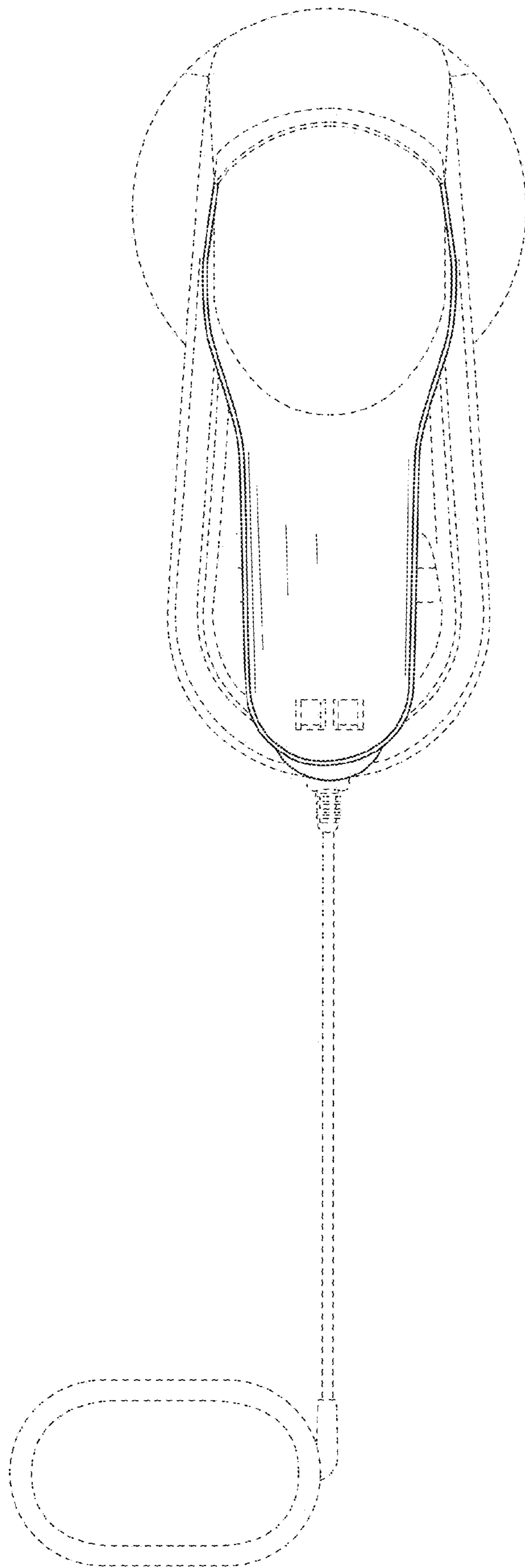


FIG. 15



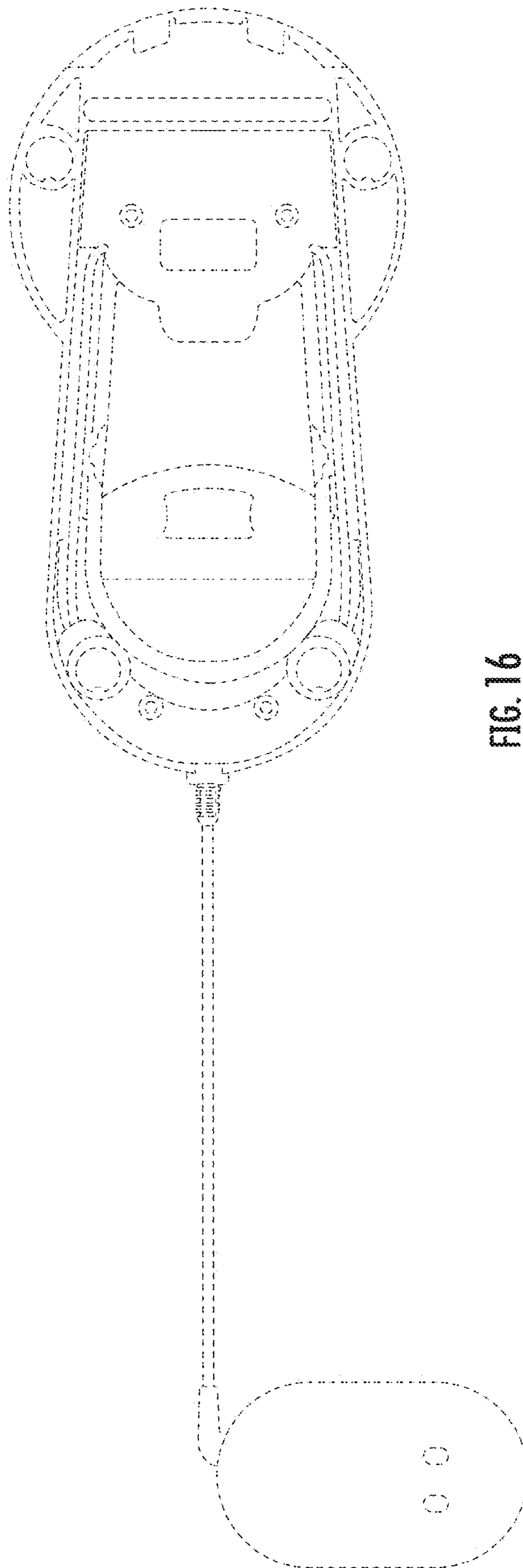


FIG. 16