



US00D931804S

(12) **United States Design Patent**
Xiong

(10) **Patent No.:** **US D931,804 S**

(45) **Date of Patent:** **** Sep. 28, 2021**

(54) **PORTABLE POWER STATION**

(71) Applicant: **Shenzhen Segre Electronic Co., Ltd.**,
Shenzhen (CN)

(72) Inventor: **Wanglong Xiong**, Longyan (CN)

(73) Assignee: **SHENZHEN SEGRE ELECTRONIC CO., LTD.**, Shenzhen (CN)

(**) Term: **15 Years**

(21) Appl. No.: **29/727,646**

(22) Filed: **Mar. 12, 2020**

(30) **Foreign Application Priority Data**

Nov. 22, 2019 (CN) 201930646359.X

(51) **LOC (13) Cl.** **13-02**

(52) **U.S. Cl.**
USPC **D13/108; D13/103**

(58) **Field of Classification Search**
USPC D13/103, 107, 108, 110, 118, 119, 122,
D13/184, 199
CPC Y02E 60/12; Y02E 60/122; Y02E 60/124;
Y02E 60/50; H02J 7/025; H02J 7/0042;
H02J 7/0044; H02J 7/0045; H02J 7/0003;
H01R 13/6675; H01M 2/1022; H01M
2/1055; H01M 10/44; H01M 10/46;
H01M 10/425; B60L 11/182

See application file for complete search history.

(56) **References Cited**

U.S. PATENT DOCUMENTS

D870,043 S *	12/2019	Xu	D13/110
D883,206 S *	5/2020	Bai	D13/110
D887,357 S *	6/2020	Liao	D13/110
D902,857 S *	11/2020	Jia	D13/110
D911,952 S *	3/2021	Yin	D13/108
D916,011 S *	4/2021	Finocchiaro	D13/107
D916,658 S *	4/2021	Jiang	D13/110
2020/0344919 A1 *	10/2020	Jiang	H01M 10/425

* cited by examiner

Primary Examiner — Christy Nemeth

(74) *Attorney, Agent, or Firm* — Tarter Krinsky & Drogin LLP

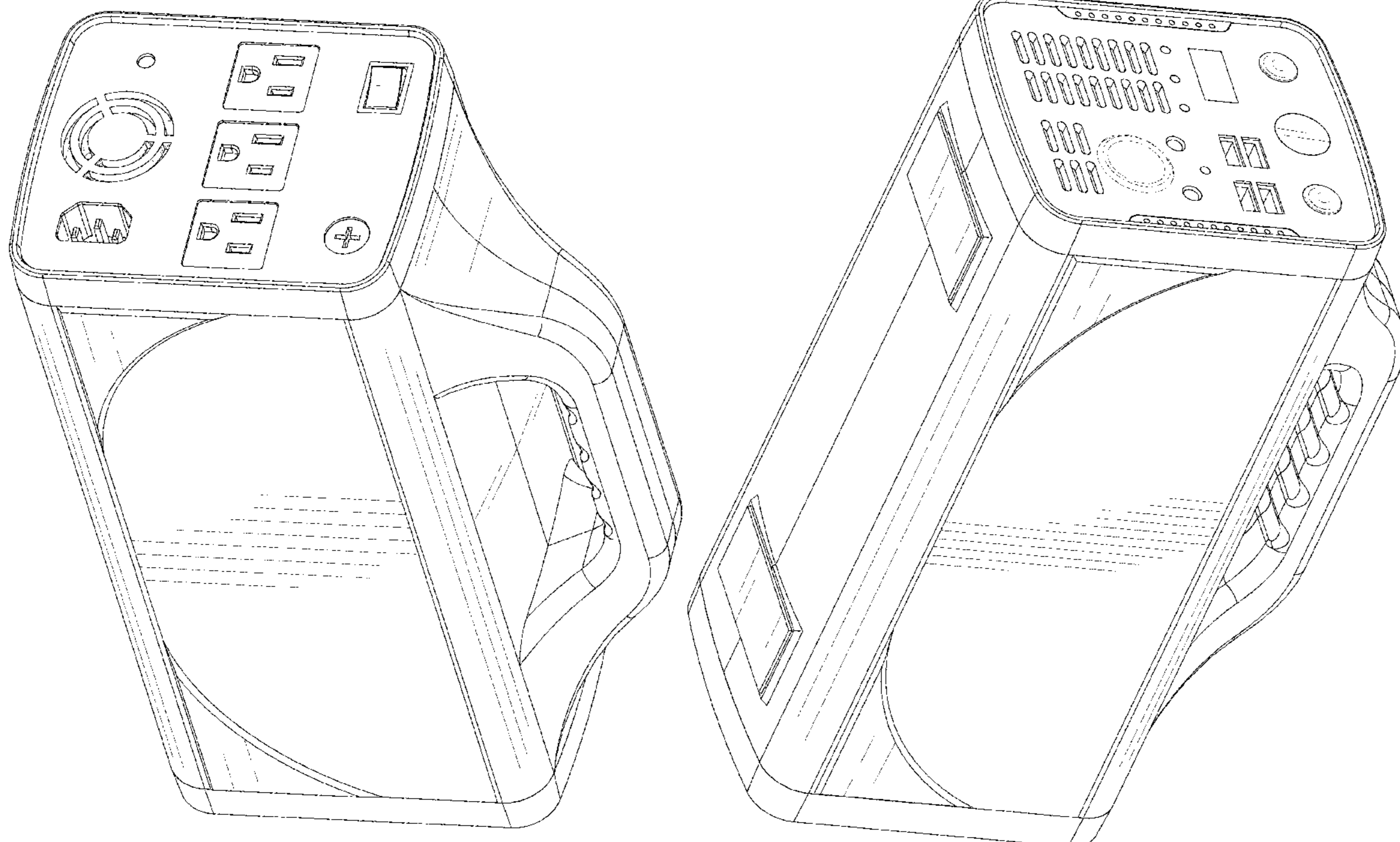
(57) **CLAIM**

The ornamental design for a portable power station, as shown and described.

DESCRIPTION

FIG. 1 is a top perspective view of a portable power station; FIG. 2 is a bottom perspective view thereof; FIG. 3 is a front view thereof; FIG. 4 is a rear view thereof; FIG. 5 is a left-side view thereof; FIG. 6 is a right-side view thereof; FIG. 7 is a top view thereof; and, FIG. 8 is a bottom view thereof. The broken lines shown in the drawings represent portions of the portable power station and form no part of the claimed design.

1 Claim, 8 Drawing Sheets



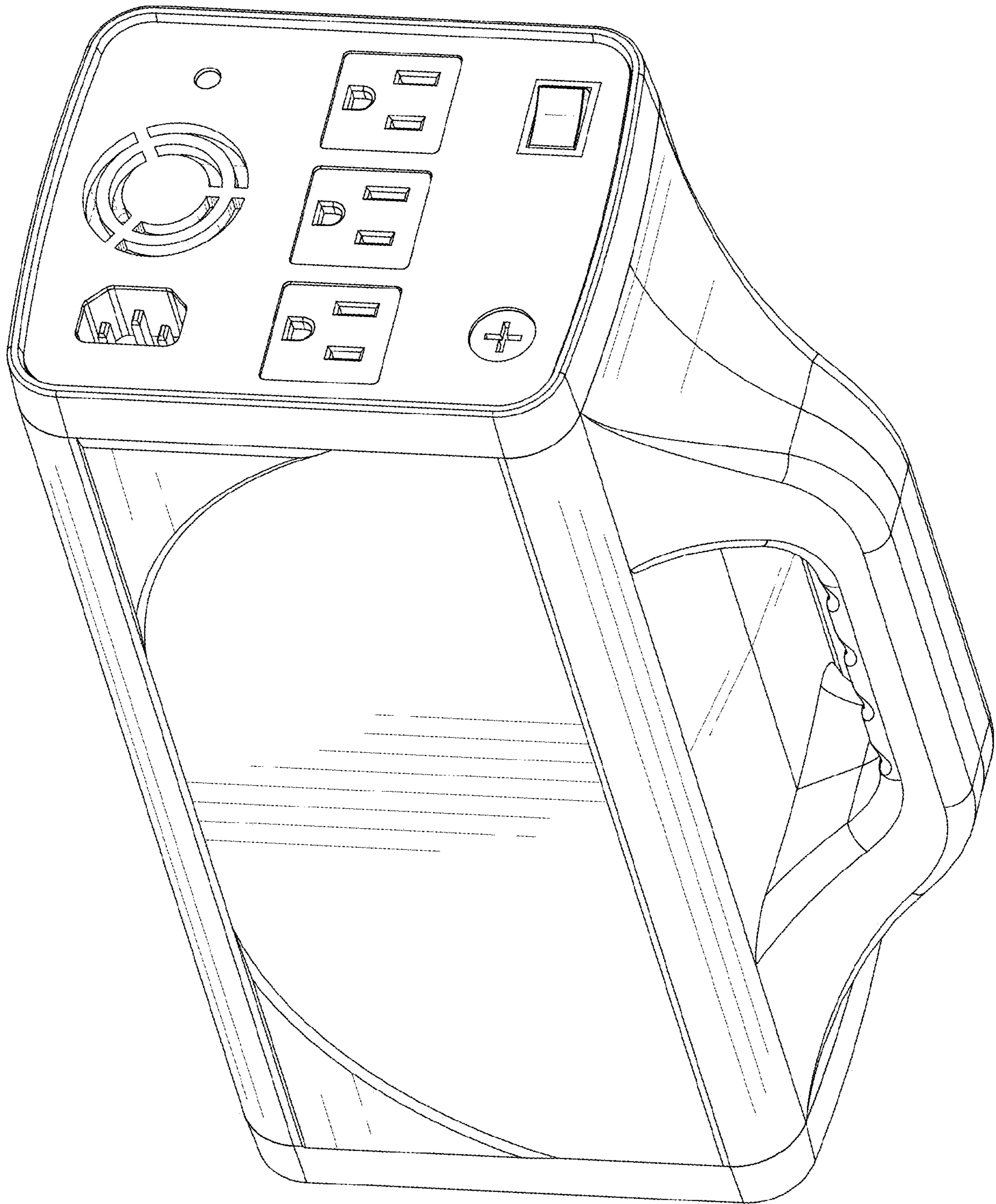


FIG. 1

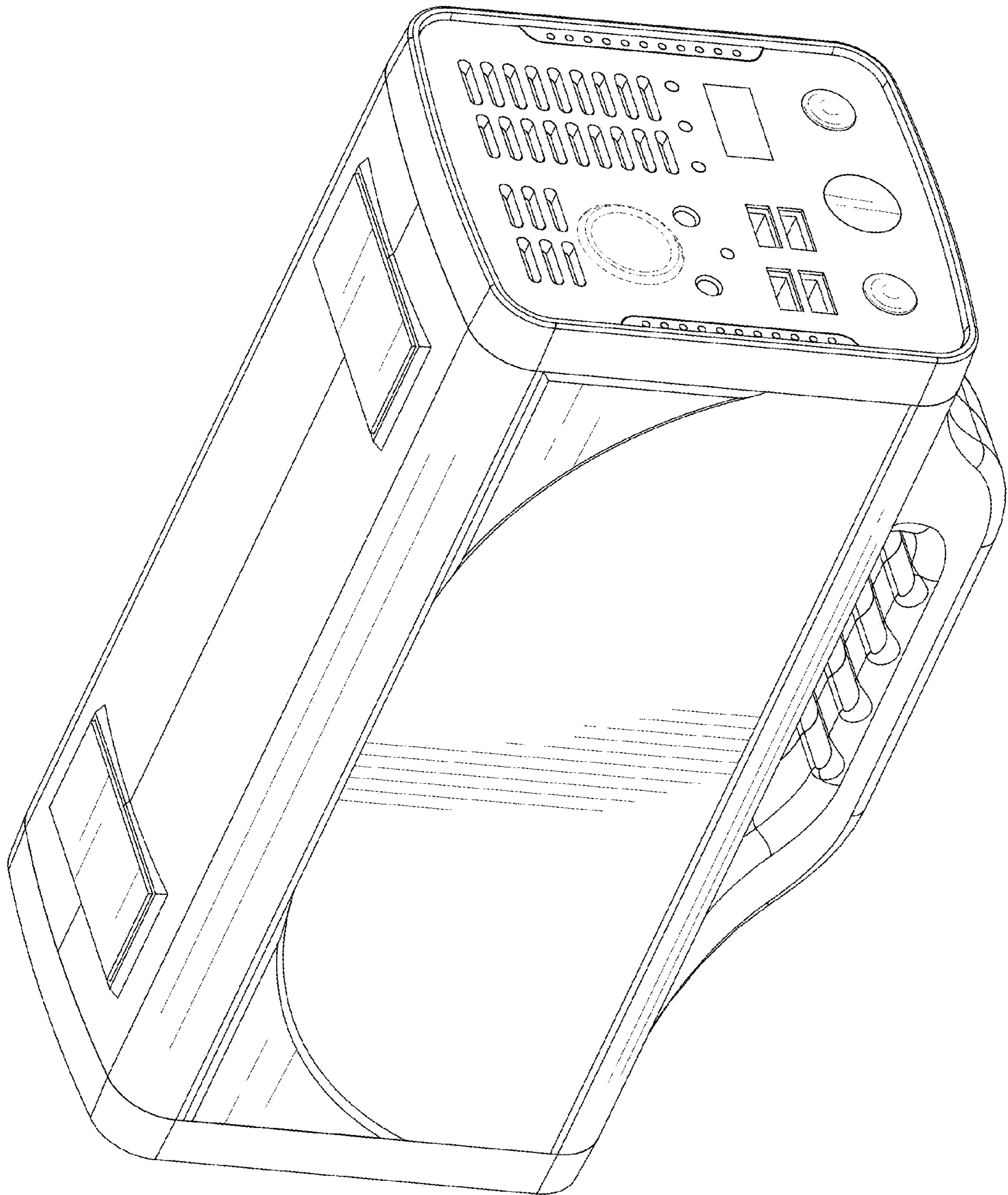


FIG. 2

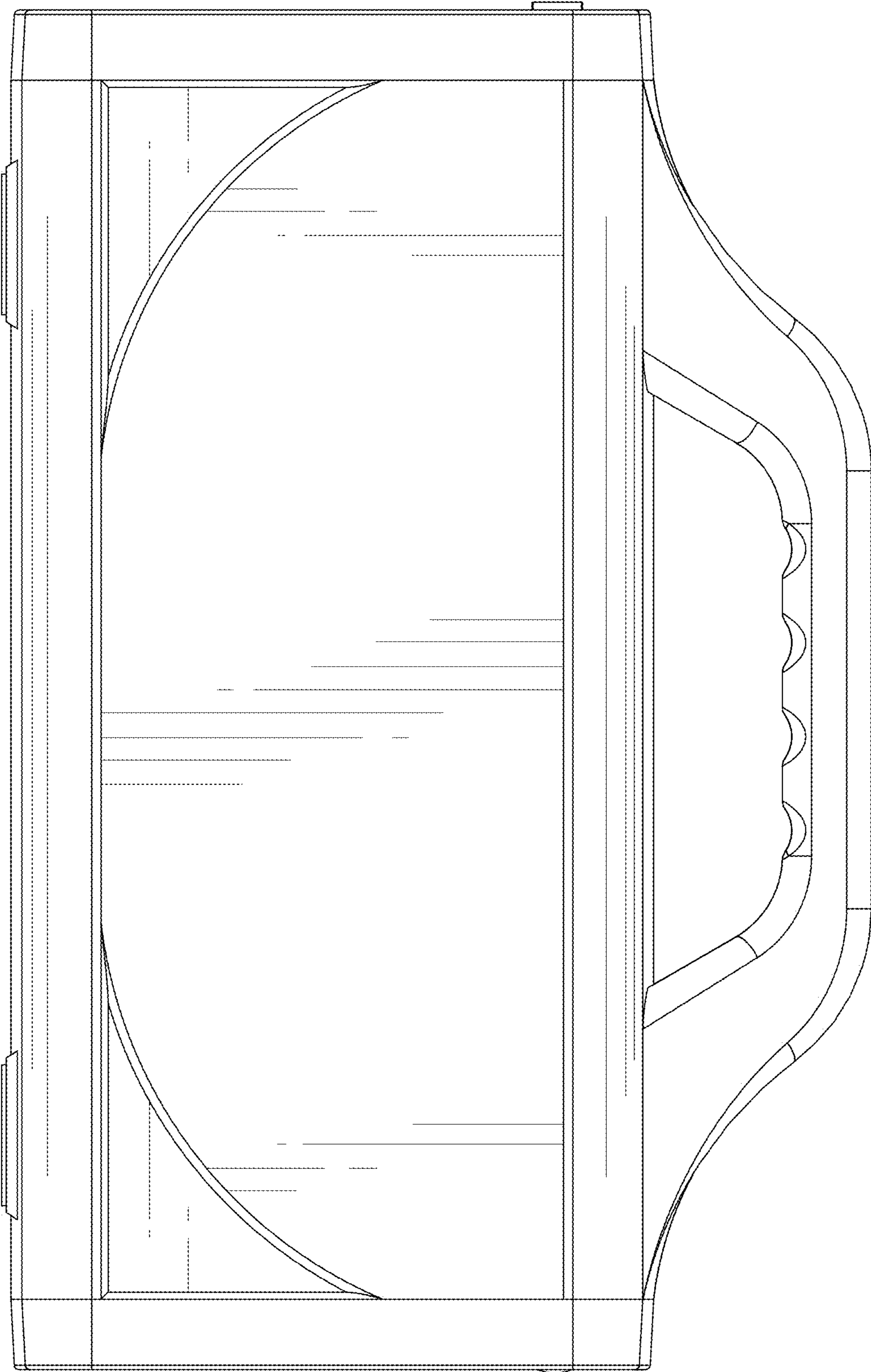


FIG. 3

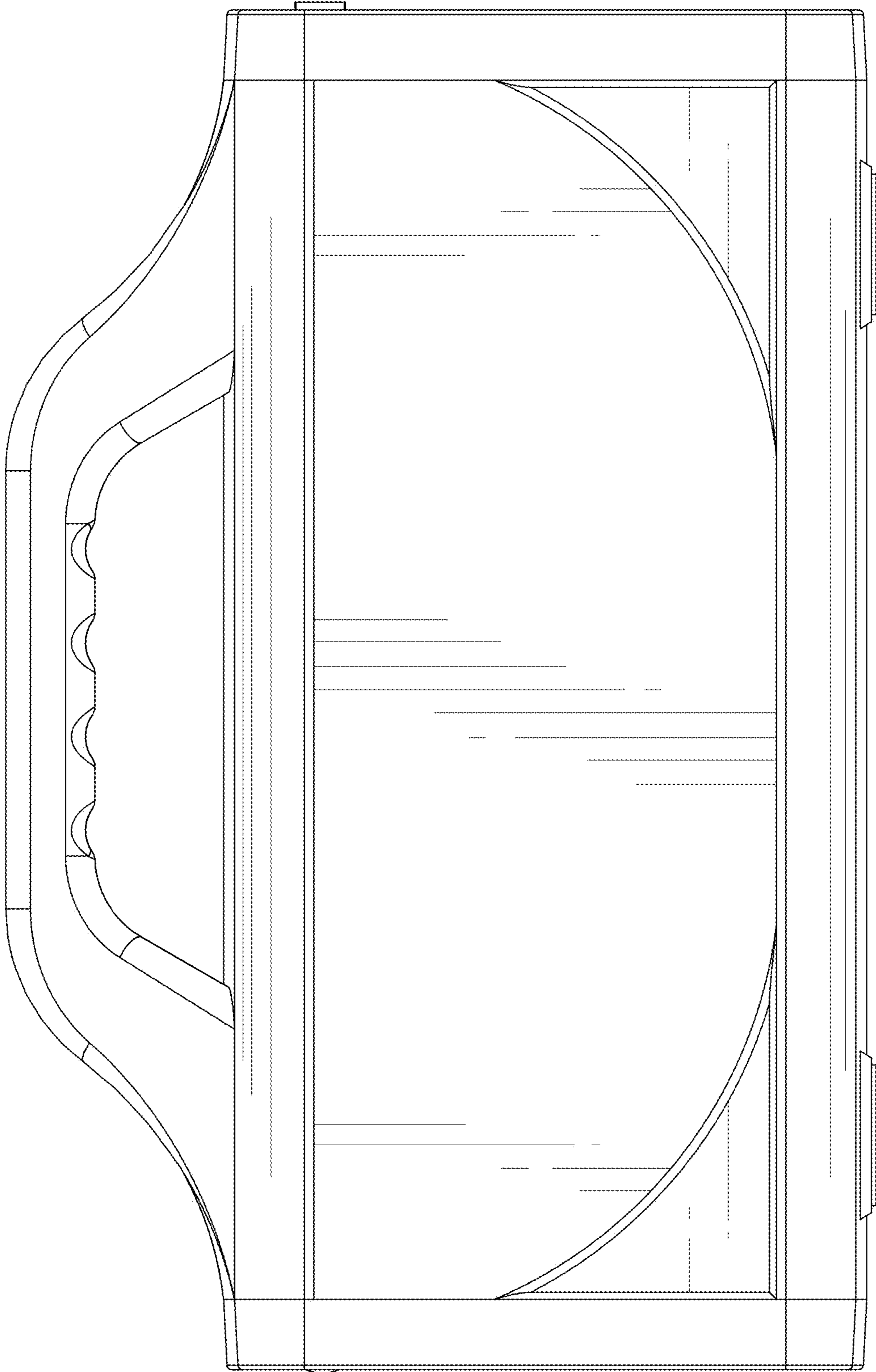


FIG. 4

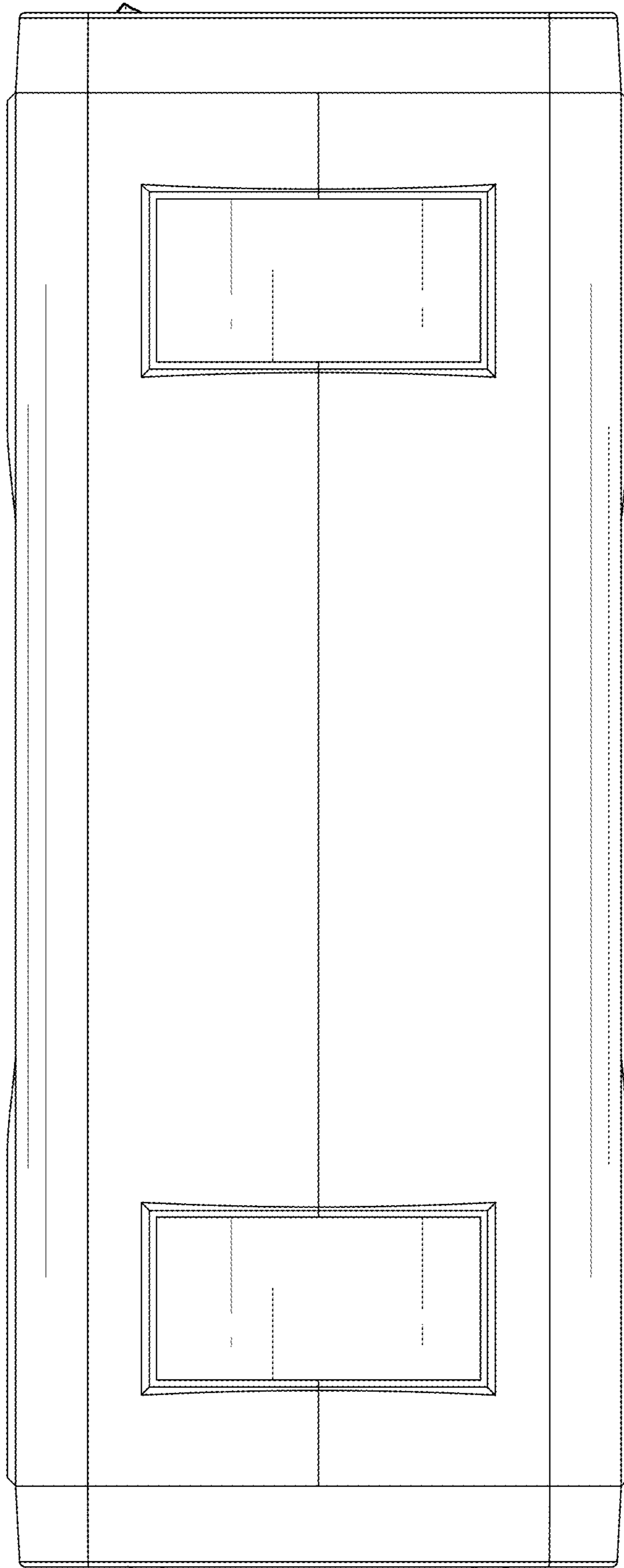


FIG. 5

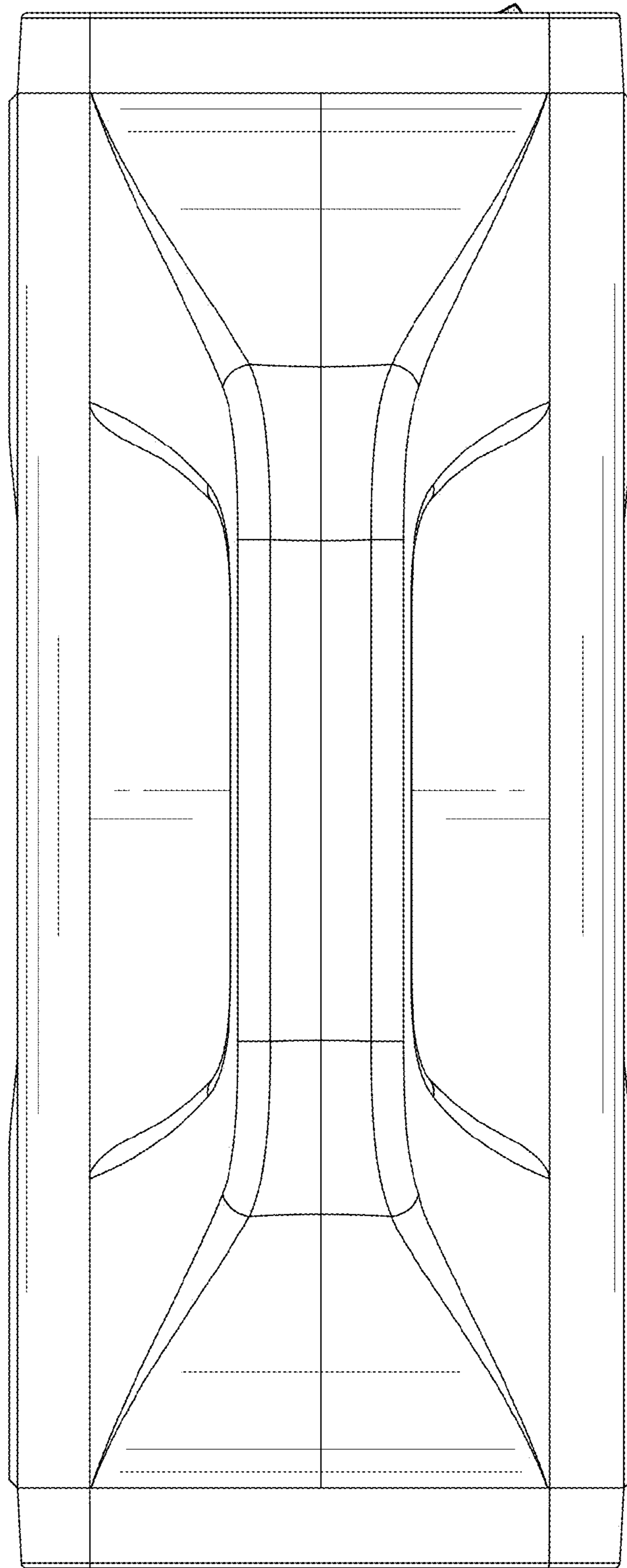


FIG. 6

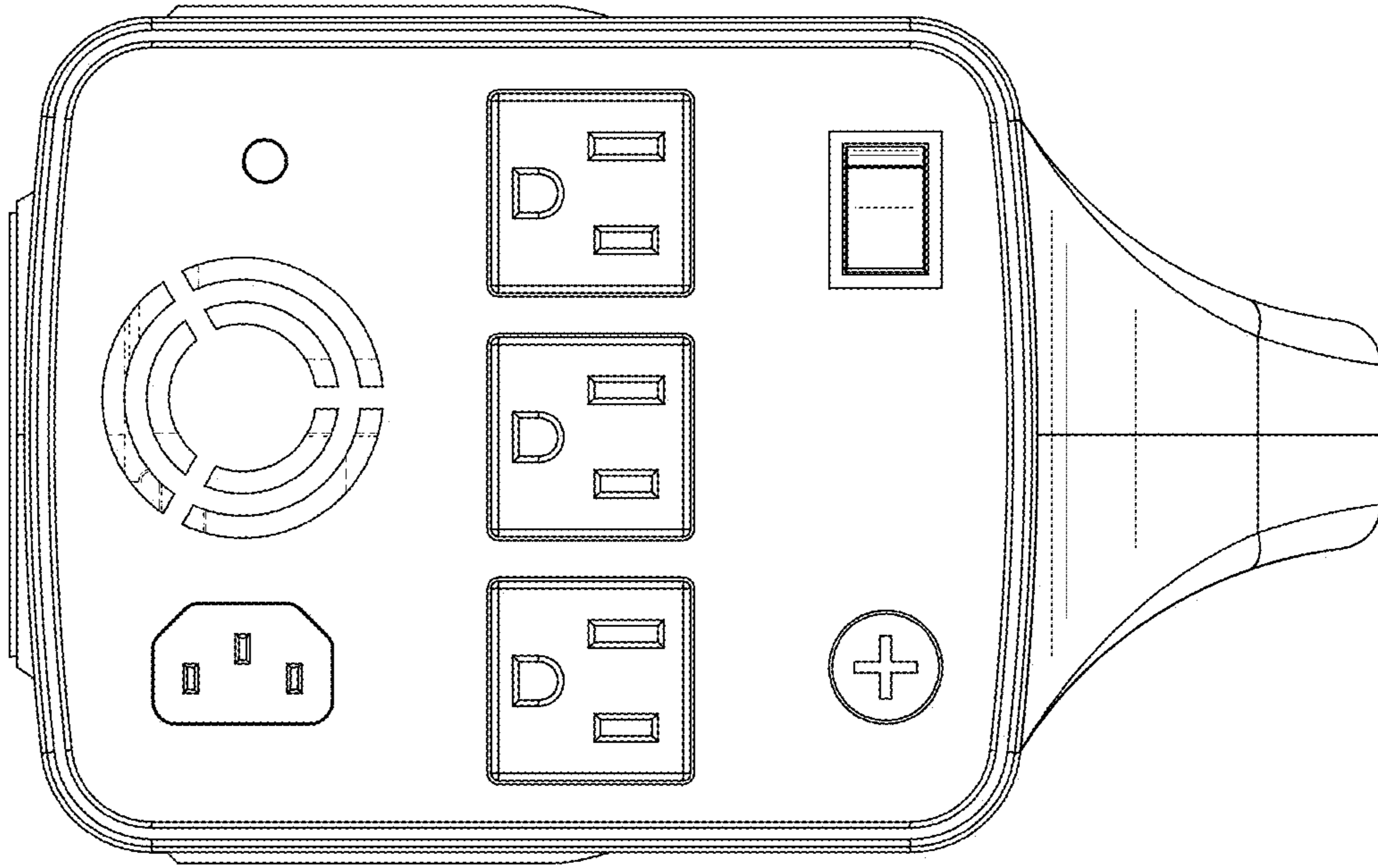


FIG. 7

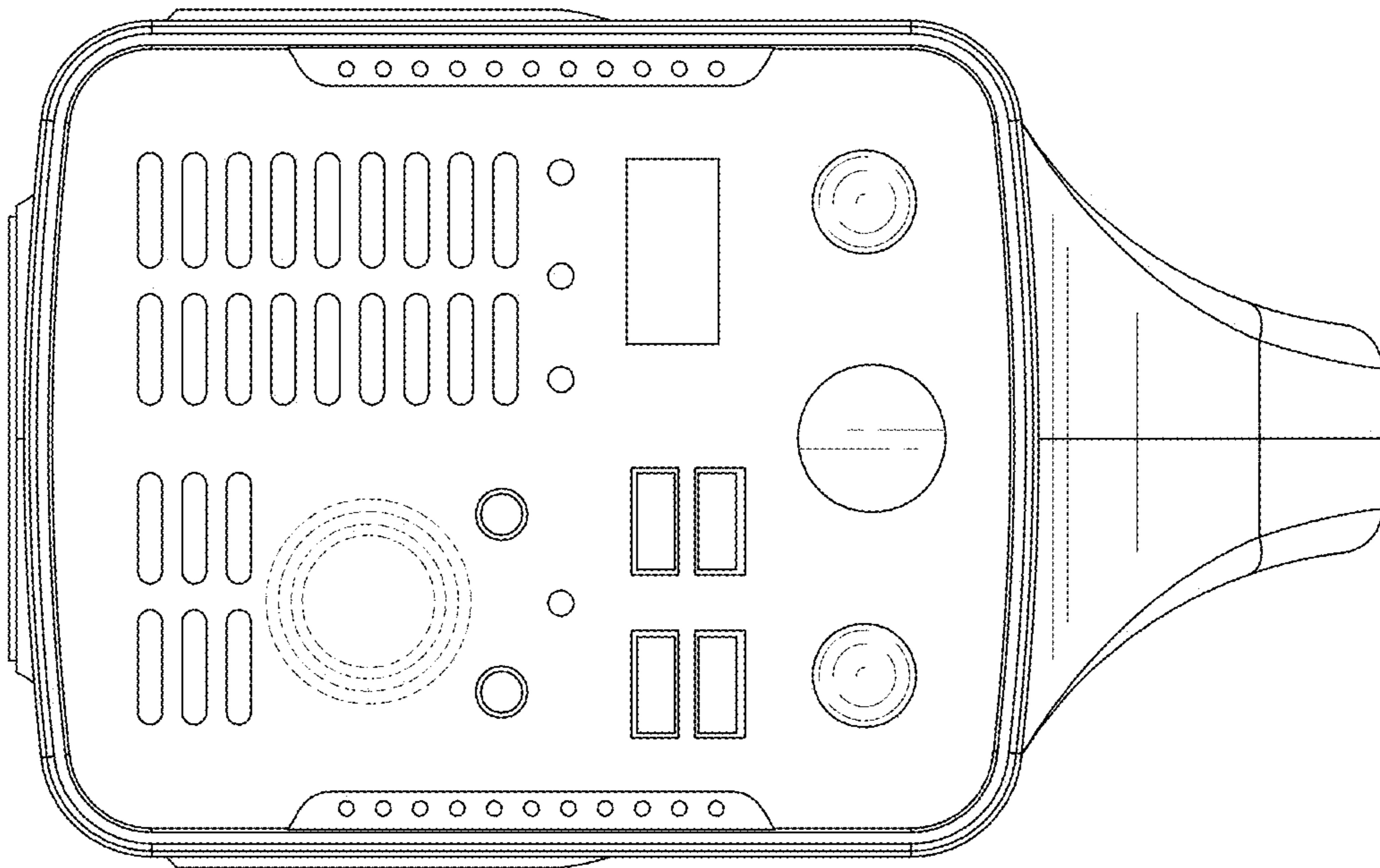


FIG. 8