



US00D931801S

(12) **United States Design Patent** (10) **Patent No.:** **US D931,801 S**
Timm (45) **Date of Patent:** **** Sep. 28, 2021**

(54) **BATTERY**
(71) Applicant: **Würth International AG**, Chur (CH)
(72) Inventor: **Felix Timm**, Dornstadt (DE)
(73) Assignee: **WÜRTH INTERNATIONAL AG**,
Chur (CH)
(**) Term: **15 Years**
(21) Appl. No.: **29/739,566**
(22) Filed: **Jun. 26, 2020**

D819,562 S * 6/2018 Waldron D13/103
D826,149 S * 8/2018 Cooper D13/103
D826,150 S * 8/2018 Cayon D13/103
D883,918 S * 5/2020 Roberts D13/103
D884,601 S * 5/2020 Zhou D13/103
D893,409 S * 8/2020 Stray D13/103
D893,413 S * 8/2020 Grulke D13/103
D894,120 S * 8/2020 Timm D13/103
D898,662 S * 10/2020 Waldron D13/103
D911,268 S * 2/2021 Matteo D13/103
D911,269 S * 2/2021 Matteo D13/103
D912,615 S * 3/2021 Li D13/103
D922,939 S * 6/2021 Ye D13/103
D922,940 S * 6/2021 Ye D13/103
D924,793 S * 7/2021 Qiu D13/103
D924,794 S * 7/2021 Kuang D13/103

(Continued)

Related U.S. Application Data

(62) Division of application No. 35/507,043, filed on Nov. 21, 2018 (U.S. filing date under 35 U.S.C. 384), and having an international filing date of Nov. 21, 2018, now Pat. No. Des. 894,120.

(30) **Foreign Application Priority Data**

Oct. 4, 2018 (EM) 005746005

(51) **LOC (13) Cl.** **13-02**

(52) **U.S. Cl.**
USPC **D13/103**

(58) **Field of Classification Search**
USPC D13/103, 107, 102, 119; D30/199
CPC H01M 10/4207
See application file for complete search history.

(56) **References Cited**

U.S. PATENT DOCUMENTS

D597,932 S * 8/2009 Aglassinger D13/103
D640,196 S * 6/2011 Shuang D13/119
D640,628 S * 6/2011 Lopano D13/103
D780,688 S * 3/2017 Elder D13/103
D797,661 S * 9/2017 Elder D13/103
D801,919 S * 11/2017 Elder D13/103

OTHER PUBLICATIONS

“Boschs BAT610 18v cordless drill” reference dated Jul. 16, 2021 found on the internet by RMS at: https://www.alibaba.com/product-detail/Boschs-BAT610-18v-cordless-drill-li_60843577608.html.*

Primary Examiner — Rhea Shields

(74) *Attorney, Agent, or Firm* — Lucas & Mercanti, LLP; Klaus P. Stoffel

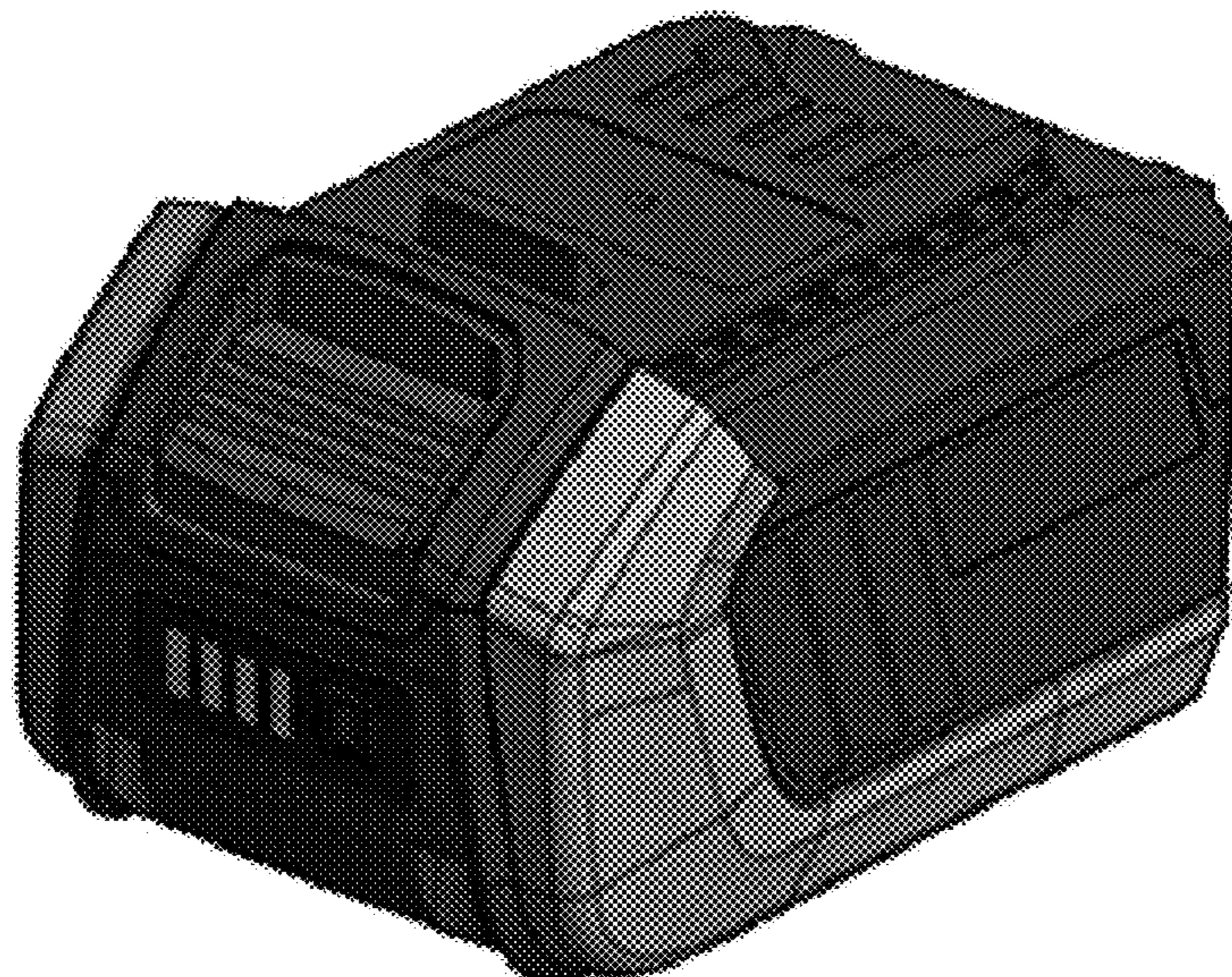
(57) **CLAIM**

The ornamental design for a battery, as shown and described.

DESCRIPTION

FIG. 1 is a front, right side perspective view of the battery of the present invention;
FIG. 2 is a top view thereof;
FIG. 3 is a right side view thereof;
FIG. 4 is a bottom view thereof;
FIG. 5 is a rear view thereof;
FIG. 6 is a front view thereof;
FIG. 7 is a left side view thereof; and,
FIG. 8 is a right side perspective view thereof.

1 Claim, 4 Drawing Sheets



(56)

References Cited

U.S. PATENT DOCUMENTS

D924,795 S * 7/2021 Zhong D13/103
D925,143 S * 7/2021 Jia D30/199
2020/0287176 A1* 9/2020 Lu H01M 10/4207

* cited by examiner

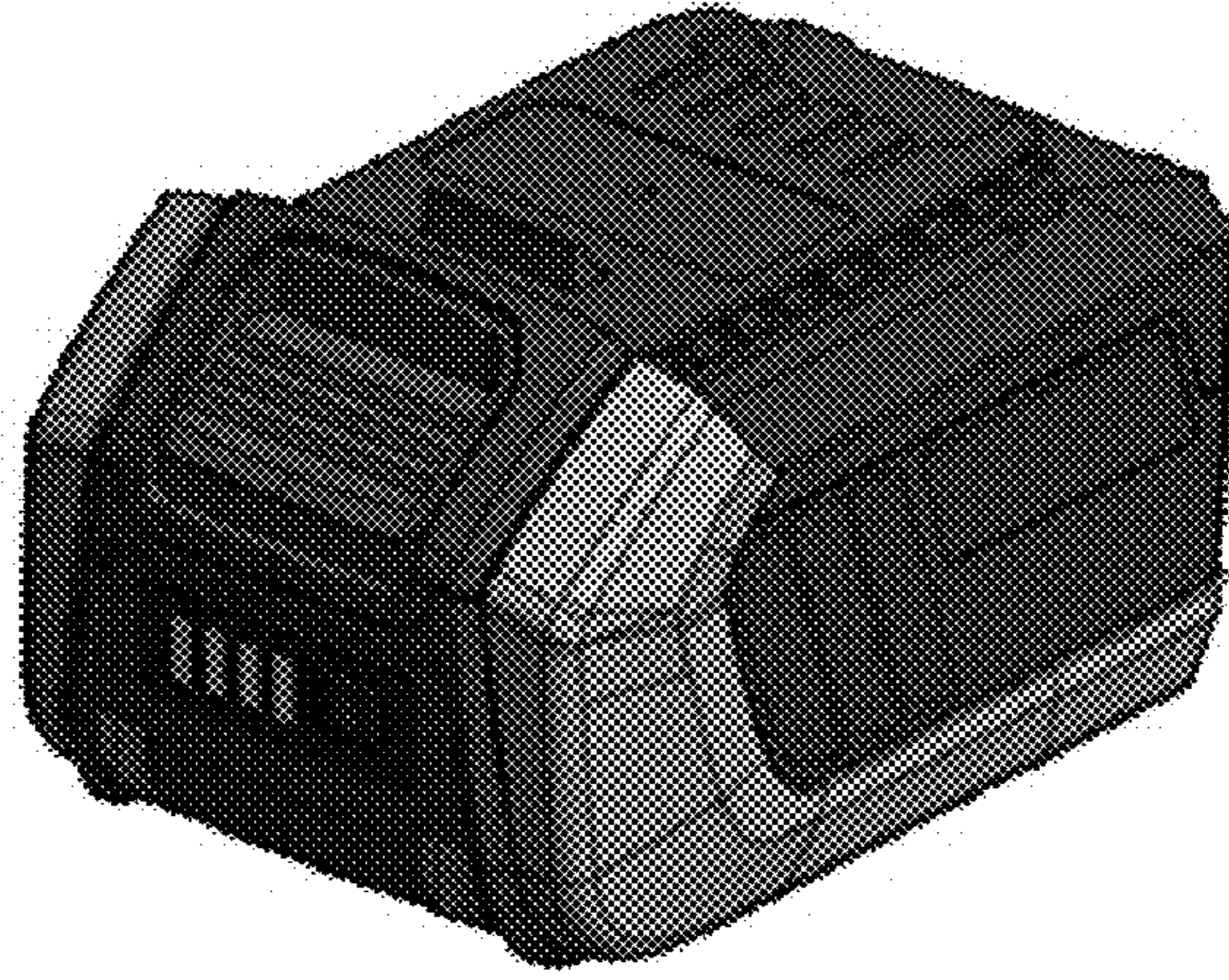


FIG. 1

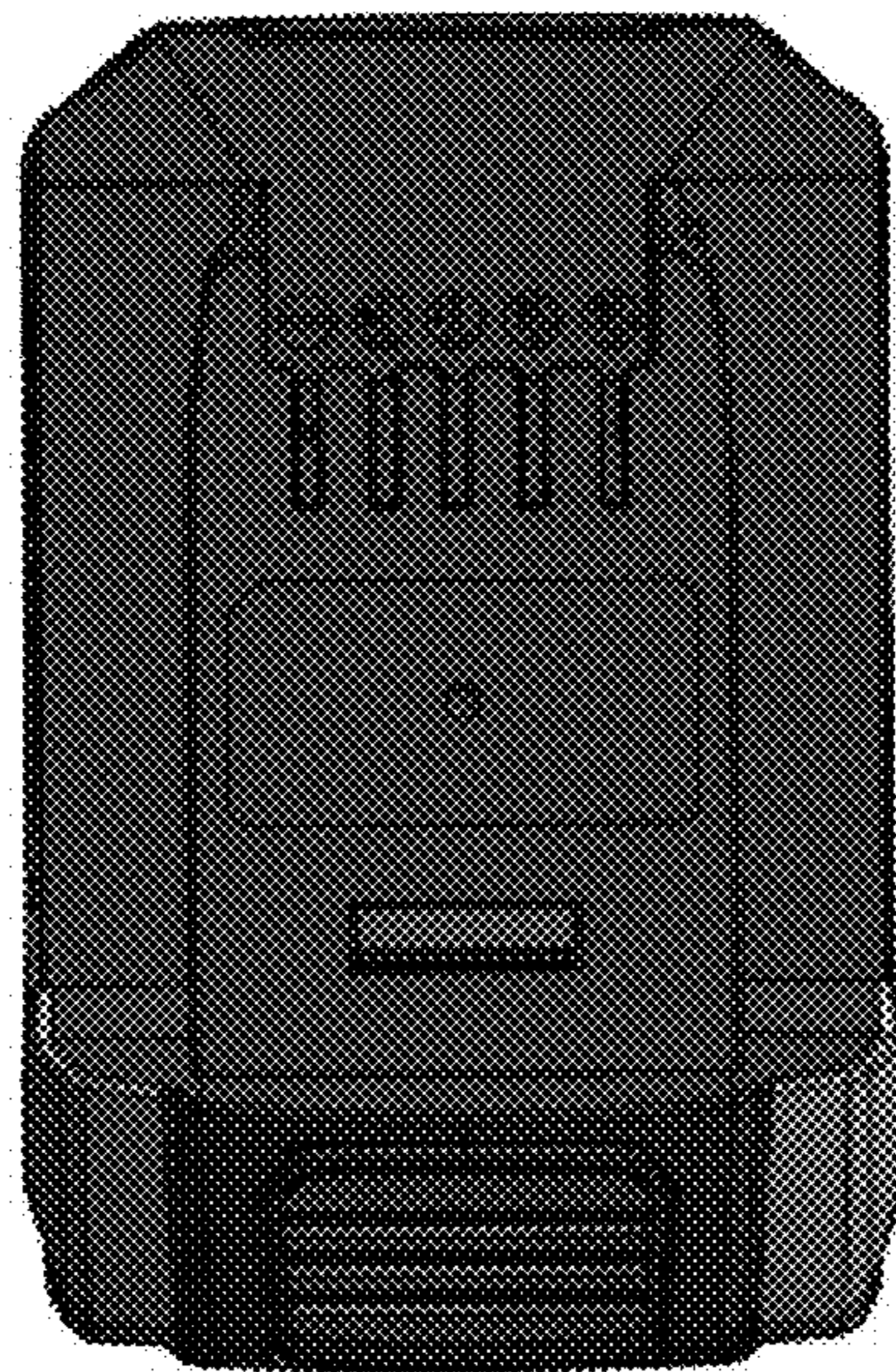


FIG. 2

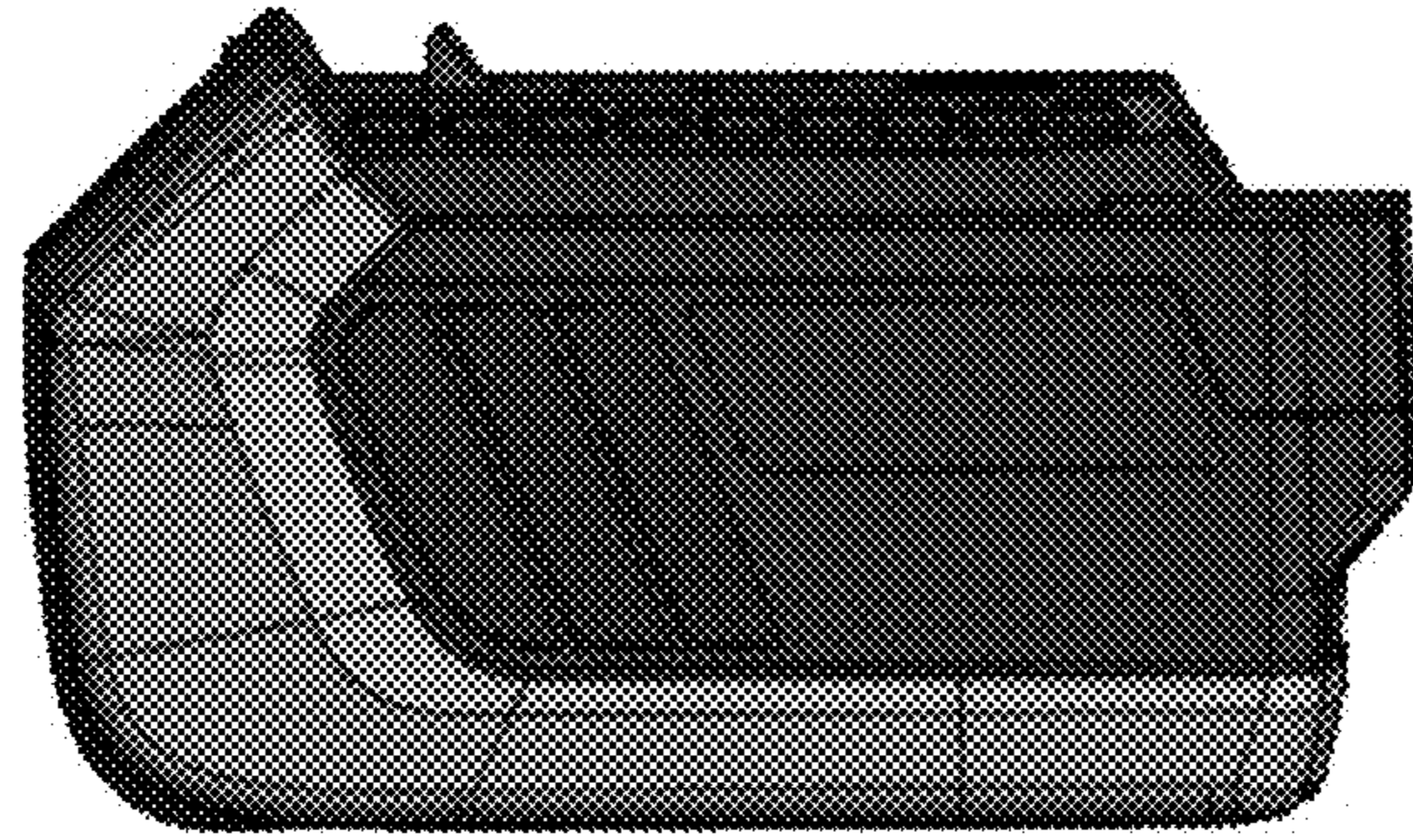


FIG. 3

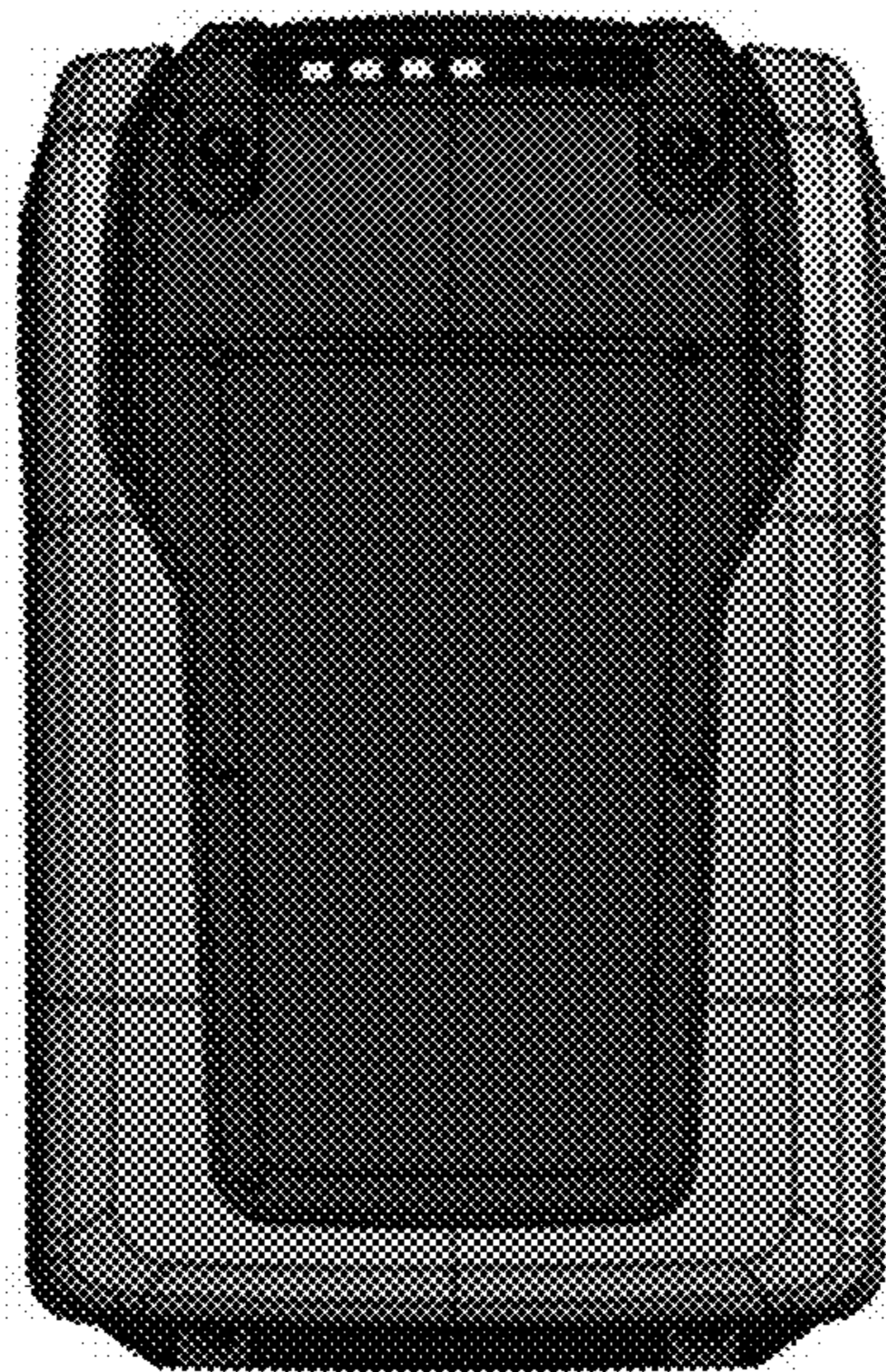


FIG. 4

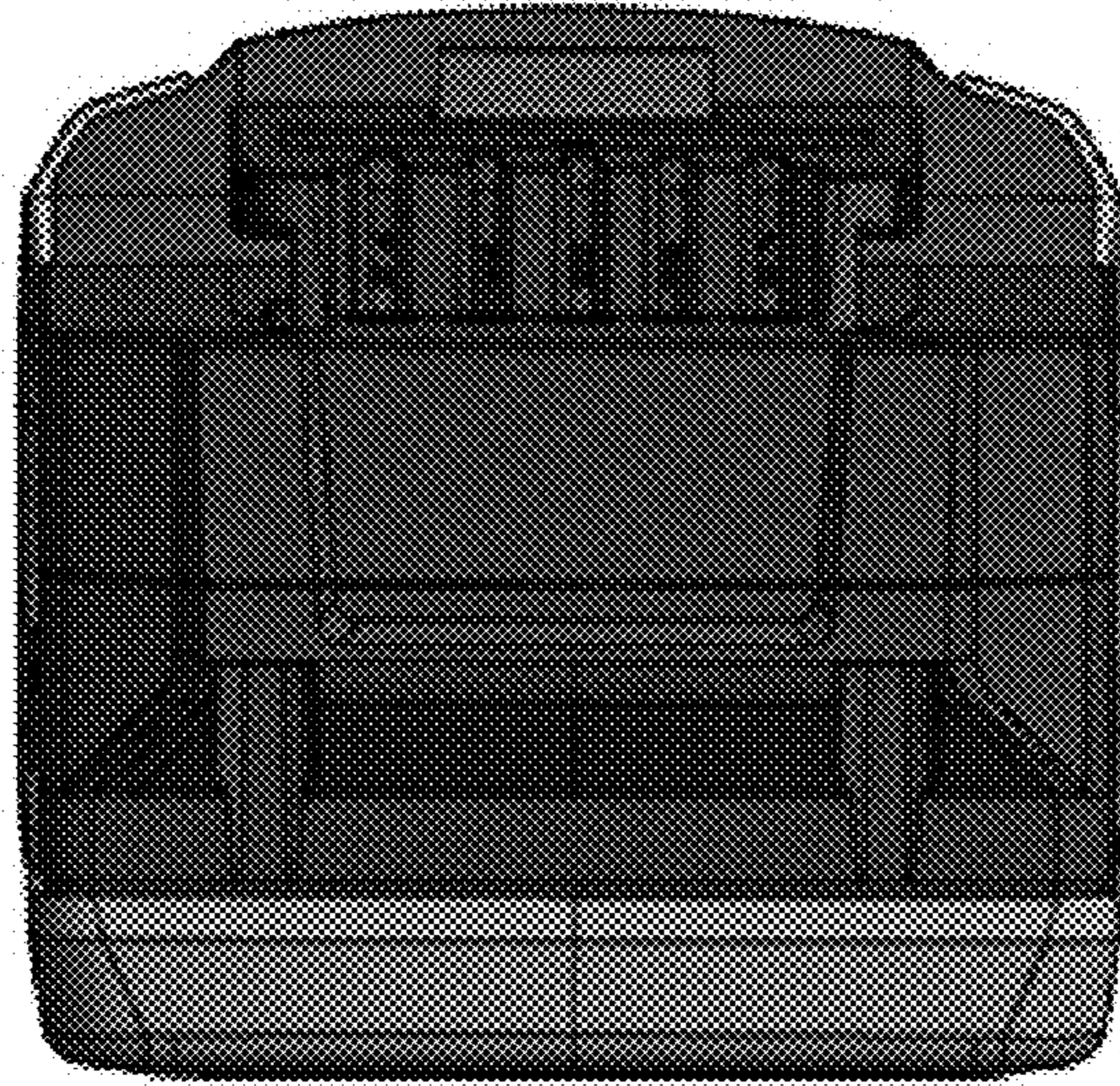


FIG. 5

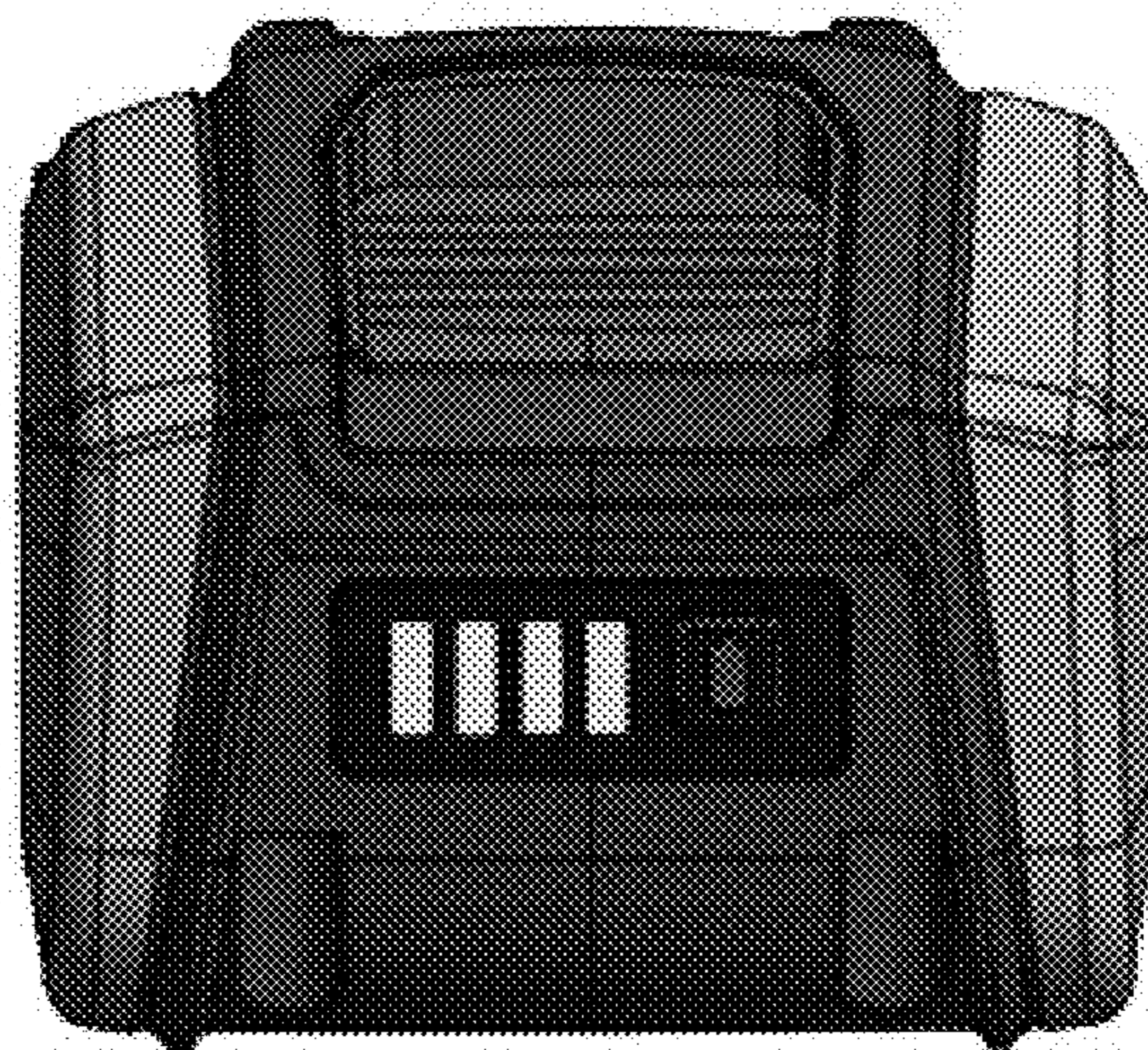


FIG. 6

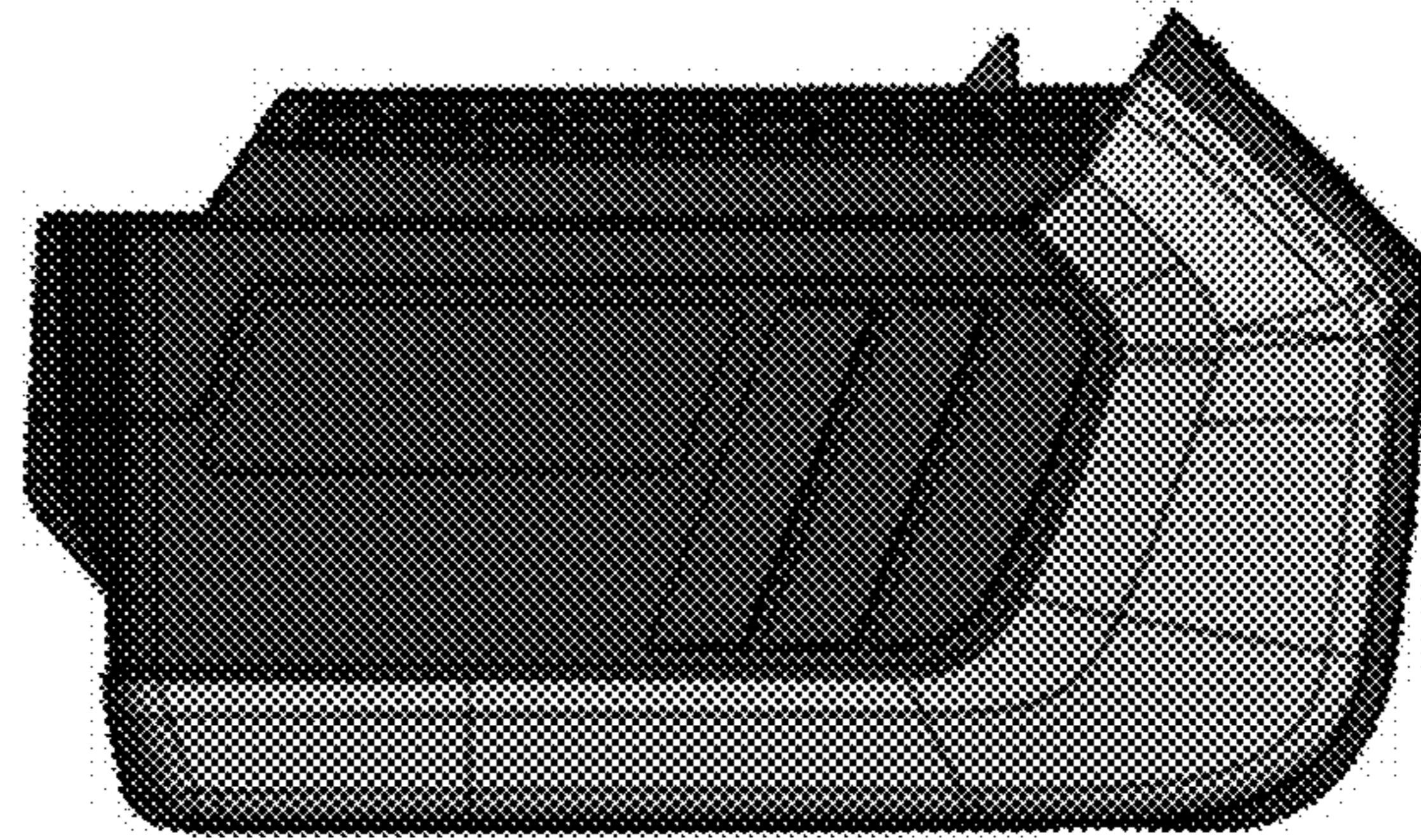


FIG. 7

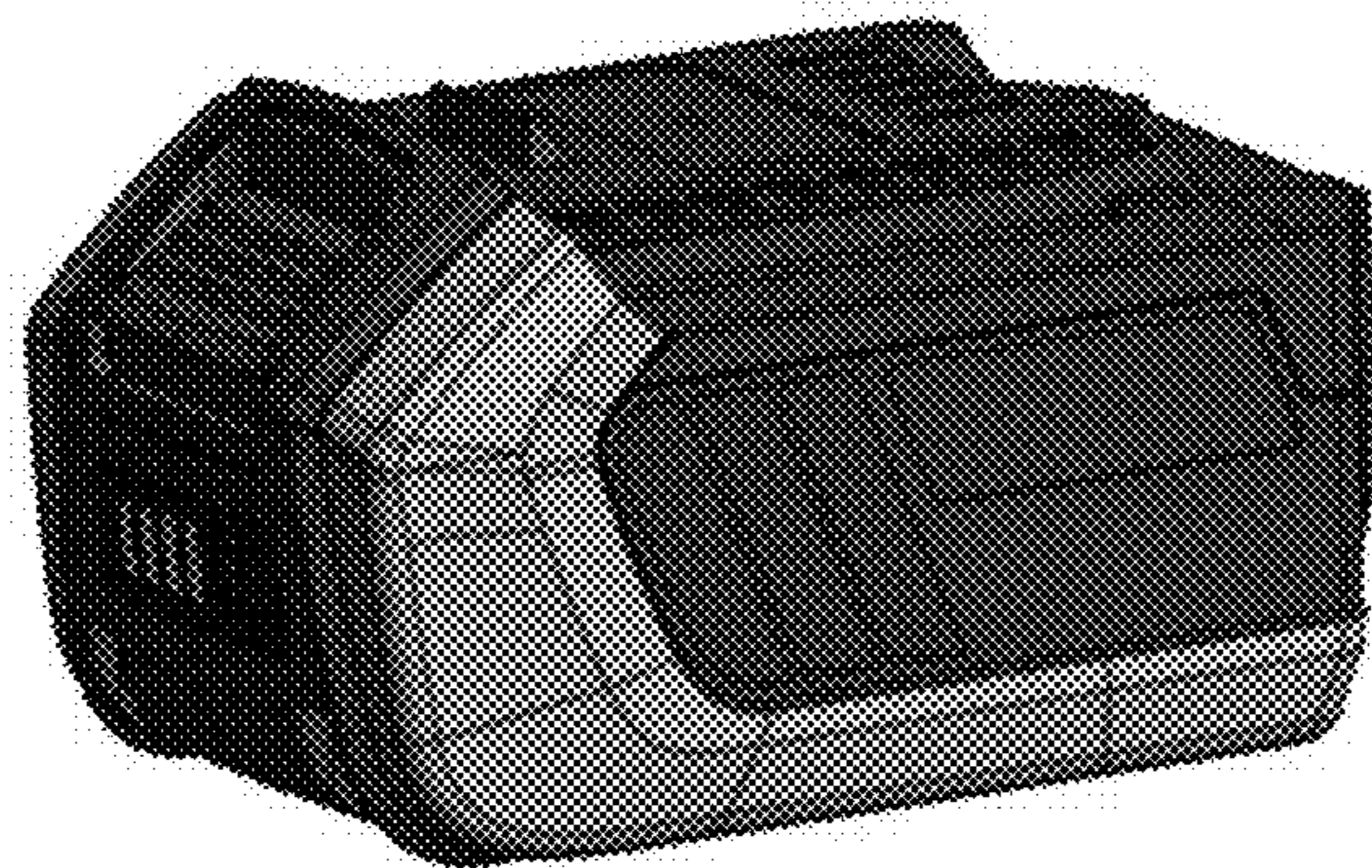


FIG. 8