



US00D931800S

(12) **United States Design Patent** (10) **Patent No.:** **US D931,800 S**
Fang (45) **Date of Patent:** **** Sep. 28, 2021**

(54) **OUTDOOR EMERGENCY POWER SUPPLY**

D887,005 S * 6/2020 Lin D24/164
D887,982 S * 6/2020 Schmidt D13/122
D911,935 S * 3/2021 Alexander D13/107
D920,898 S * 6/2021 Magee D13/102

(71) Applicant: **Shenzhen Intelligent Energy Co., Ltd,**
Shenzhen (CN)

(72) Inventor: **Huayan Fang,** Shenzhen (CN)

(**) Term: **15 Years**

(21) Appl. No.: **29/736,121**

(22) Filed: **May 28, 2020**

(51) **LOC (13) Cl.** **13-02**

(52) **U.S. Cl.**
USPC **D13/103**

(58) **Field of Classification Search**

USPC D13/104, 107, 108, 110, 119, 123, 133,
D13/144, 149, 153, 155, 156, 184, 199
CPC H01M 2/02; H01M 2/022; H01M 2/0202;
H01M 2/0207; H01M 2/0212; H01M
2/1061; H01M 2/1022; H01M 2/1055;
H01M 2/1066; H01M 2/105; H01M 2/20;
H01M 2/202; H01M 2/204; H01M 2/206;
H01M 10/46; H01M 10/465; H01M
10/482; H01M 2200/30; H01M 2250/30;
H01M 2250/40; H02J 7/00; H02J 7/0003;
H02J 7/0011; H02J 7/0013; H02J 7/0054;
H02J 7/0055; H02J 7/0057; H02J 7/0062

See application file for complete search history.

(56) **References Cited**

U.S. PATENT DOCUMENTS

D643,813 S * 8/2011 Portman D13/116
D662,881 S * 7/2012 He D13/116
D710,301 S * 8/2014 Ferro D13/116
D834,517 S * 11/2018 Fritz D13/116
D840,337 S * 2/2019 Gillett D13/112
D856,930 S * 8/2019 Huang D13/116
D871,337 S * 12/2019 Nagasawa D13/116
D880,420 S * 4/2020 Hashimoto D13/112
D885,343 S * 5/2020 Yin D13/116

OTHER PUBLICATIONS

Generators. (Design—© Questel) orbit.com. [Online PDF compi-
lation of references] 45 pgs. Print Dates Range Mar. 29, 2021-Dec.
17, 2020 [Retrieved Jul. 22, 2021].*

“PAXCESS Portable Power Station 200W” Apr. 15, 2020. Amazon.
https://www.amazon.com/dp/B086X29L2B/ref=sspa_dk_detail_3?psc=1&pd_rd_i=B086X29L2B&pd_rd_w=OPcfC&pf_rd_p=5d846283-ed3e-4512-a744-a30f97c5d738&pd_rd_wg=xtxbS&pf_rd_r=G02FX5BWTSH1ASVMGTPJ&pd_rd_r=1431e91a-80e9-4dee-bd2f-84f6de9ad5f2&spLa.*

(Continued)

Primary Examiner — Manpreet S Matharu

Assistant Examiner — Suzanne E Tisdell

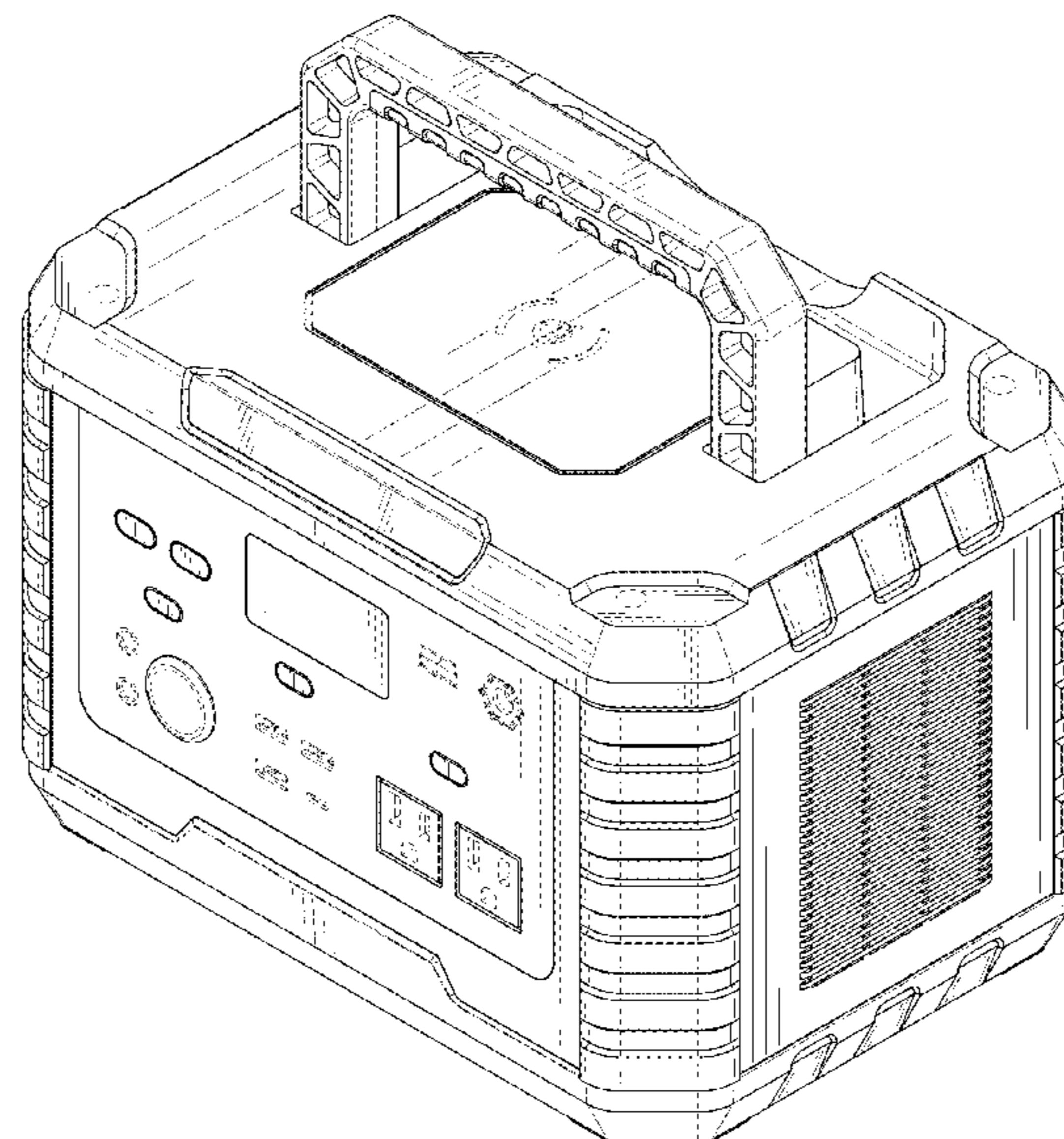
(57) **CLAIM**

The ornamental design for an outdoor emergency power supply, as shown and described.

DESCRIPTION

FIG. 1 is a front and top perspective view of an outdoor emergency power supply, showing my new design; FIG. 2 is a rear and bottom perspective view thereof; FIG. 3 is a front elevational view thereof; FIG. 4 is a rear elevational view thereof; FIG. 5 is a left side elevational view thereof; FIG. 6 is a right side elevational view thereof; FIG. 7 is a top plan view thereof; FIG. 8 is a bottom plan view thereof; and, FIG. 9 is an enlarged view of a portion indicated in FIG. 2. The broken lines in the figures illustrate portions of the outdoor emergency power supply that form no part of the claimed design. The dash dot dash lines in FIGS. 2 and 9 are for the purpose of depicting the cut line of the enlarged view and form no part of the claim.

1 Claim, 9 Drawing Sheets



(56)

References Cited

OTHER PUBLICATIONS

Portable Camping Generator, 330W. Aug. 21, 2019. <https://www.amazon.com/Portable-Generator-78000mAh-with110V-Emergency/dp/B07VL7XYY6>.*

“Jackery Portable Power Station Explorer 240.” Before Jul. 29, 2018. Amazon. https://www.amazon.com/Jackery-Portable-Power-Station-Generator/dp/B07D29QNMJ/ref=psdc_348967011_t3_B086X29L2B.*

* cited by examiner

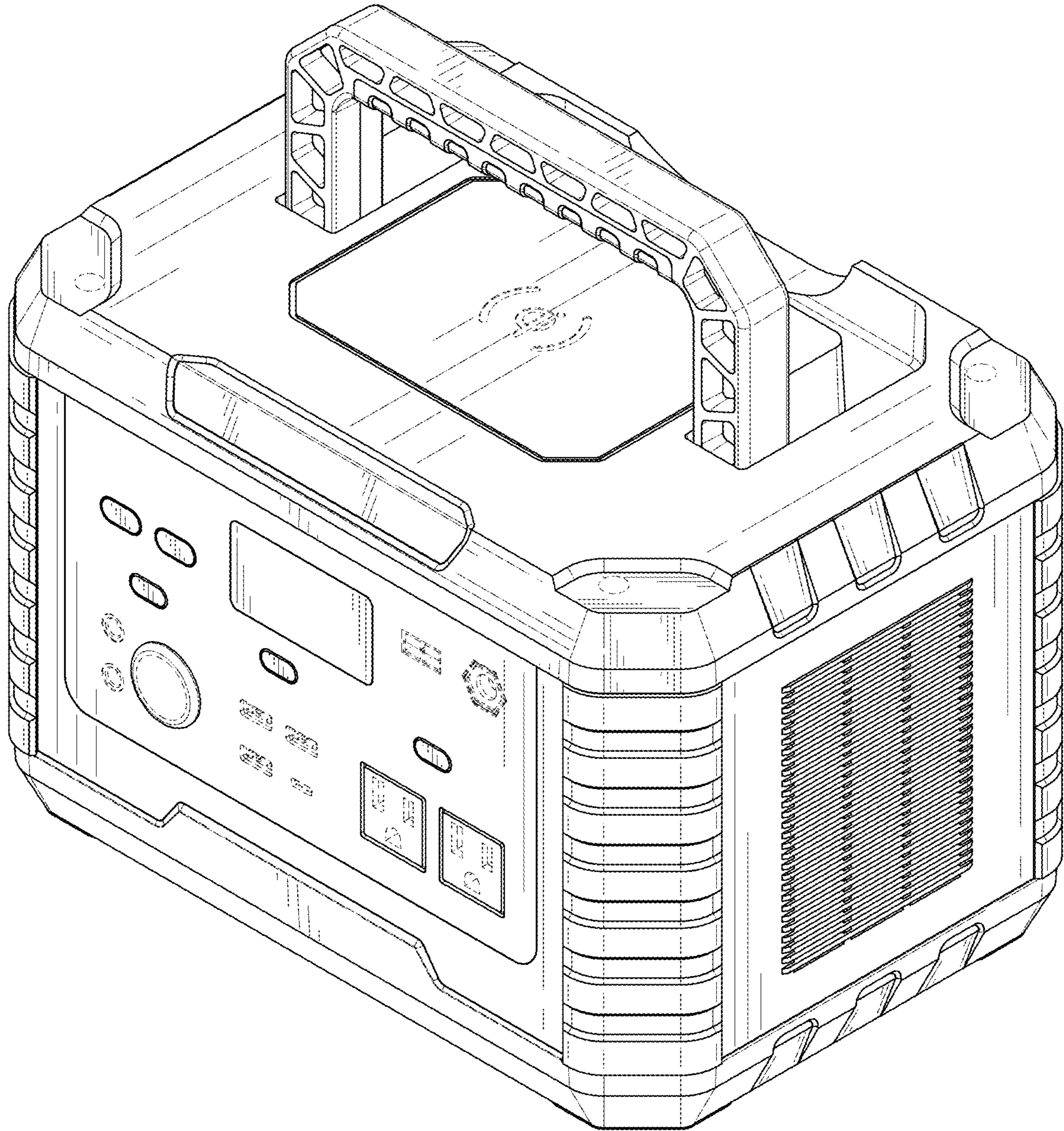


FIG. 1

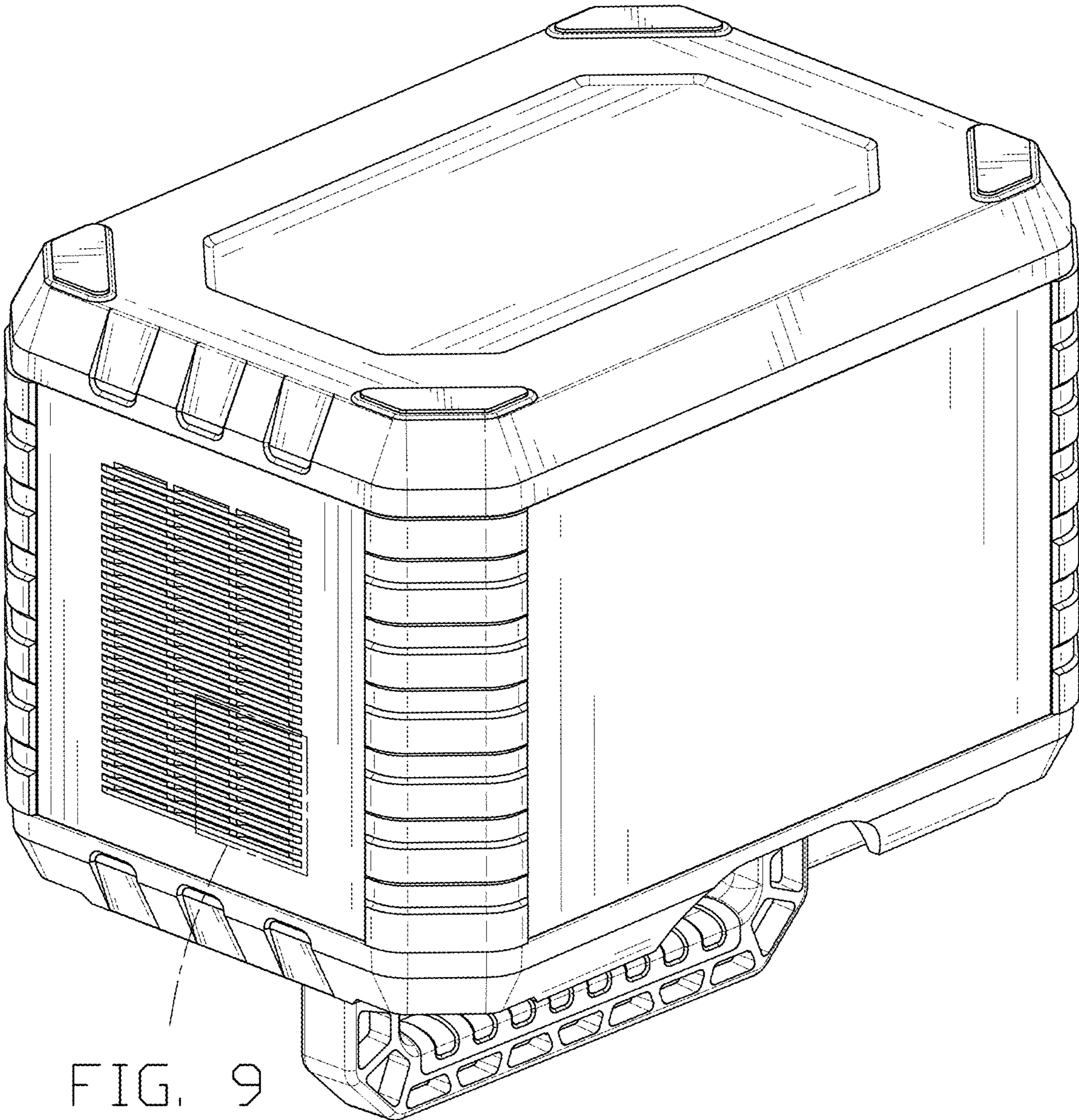


FIG. 9

FIG. 2

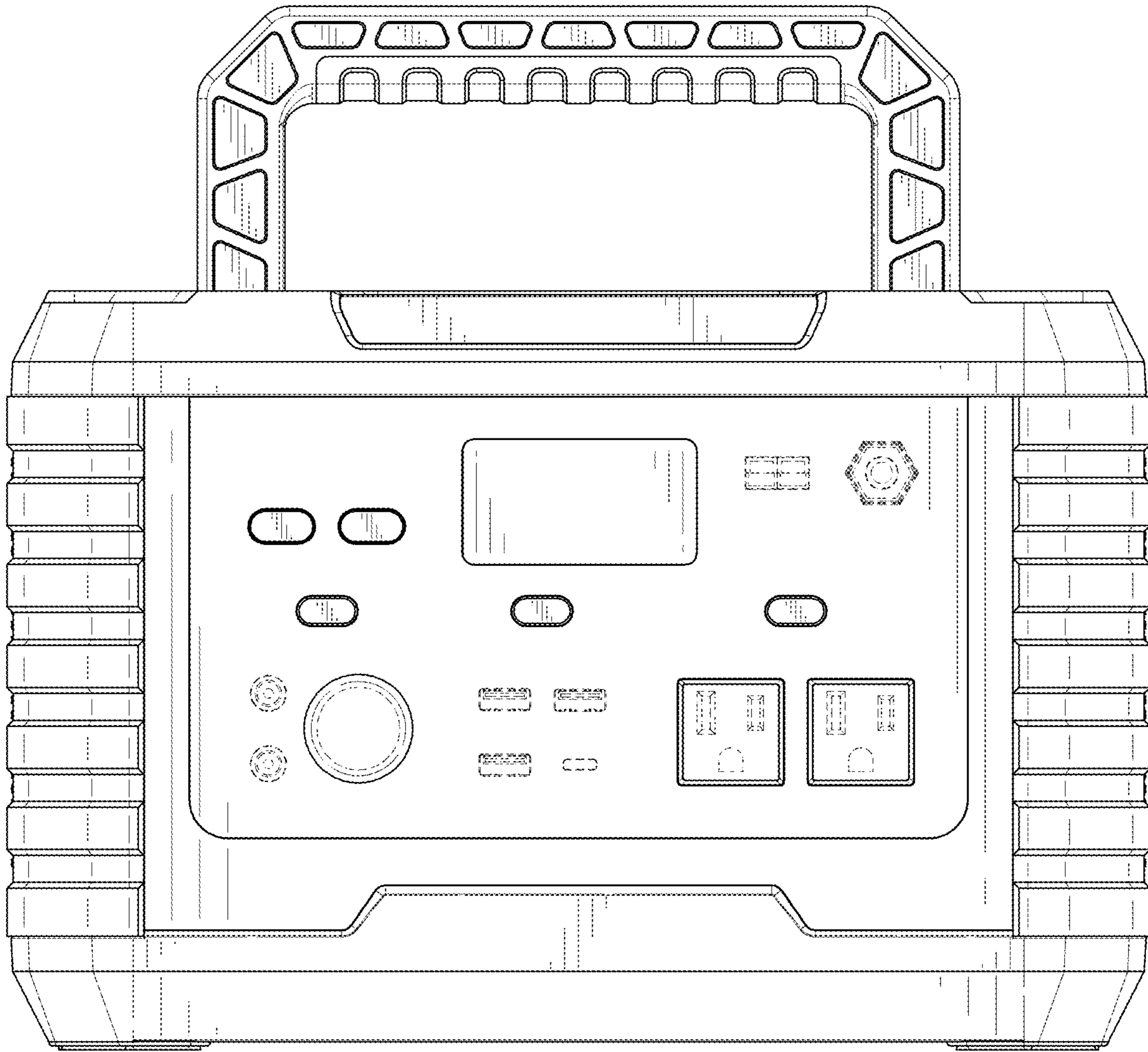


FIG. 3

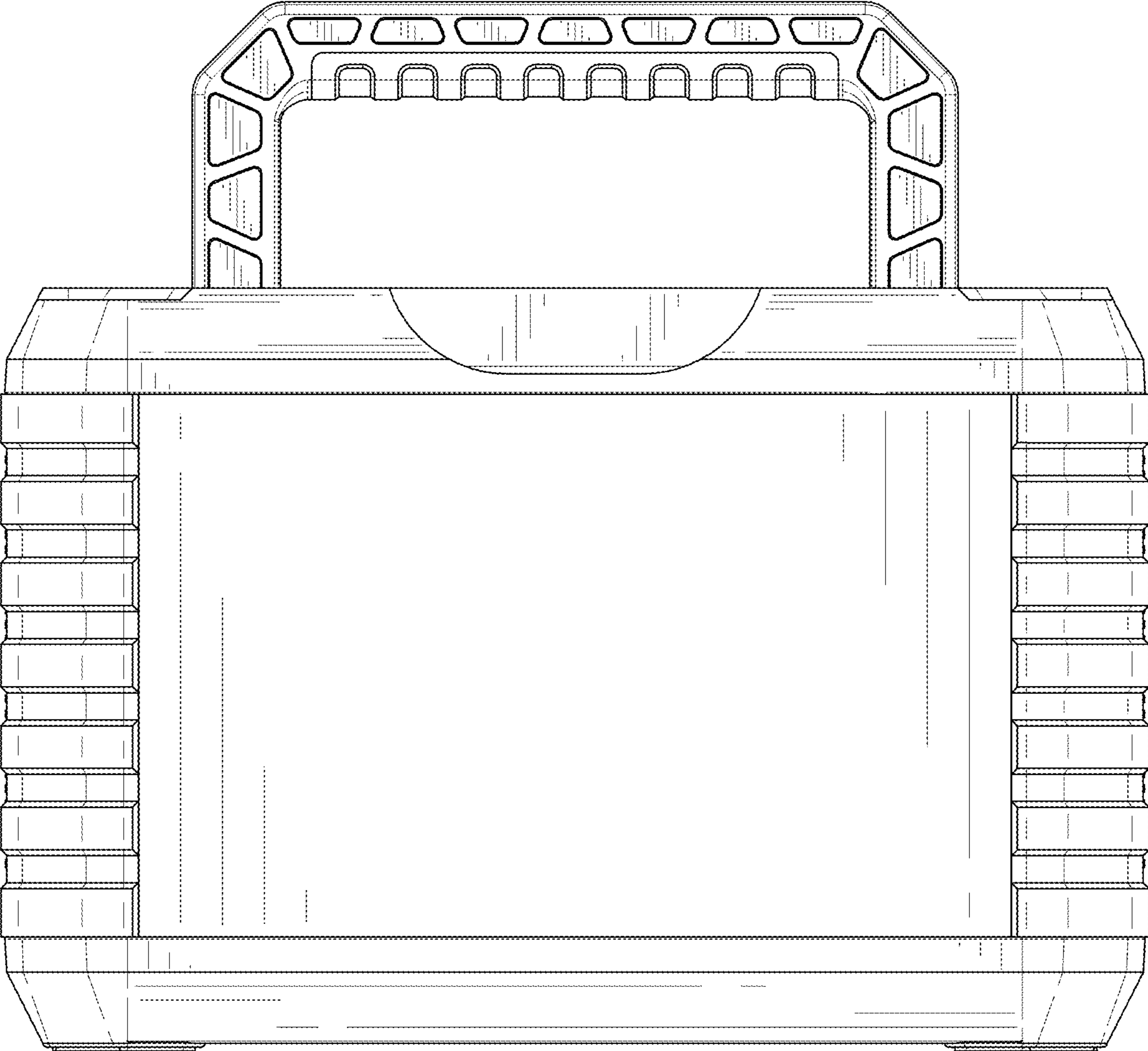


FIG. 4

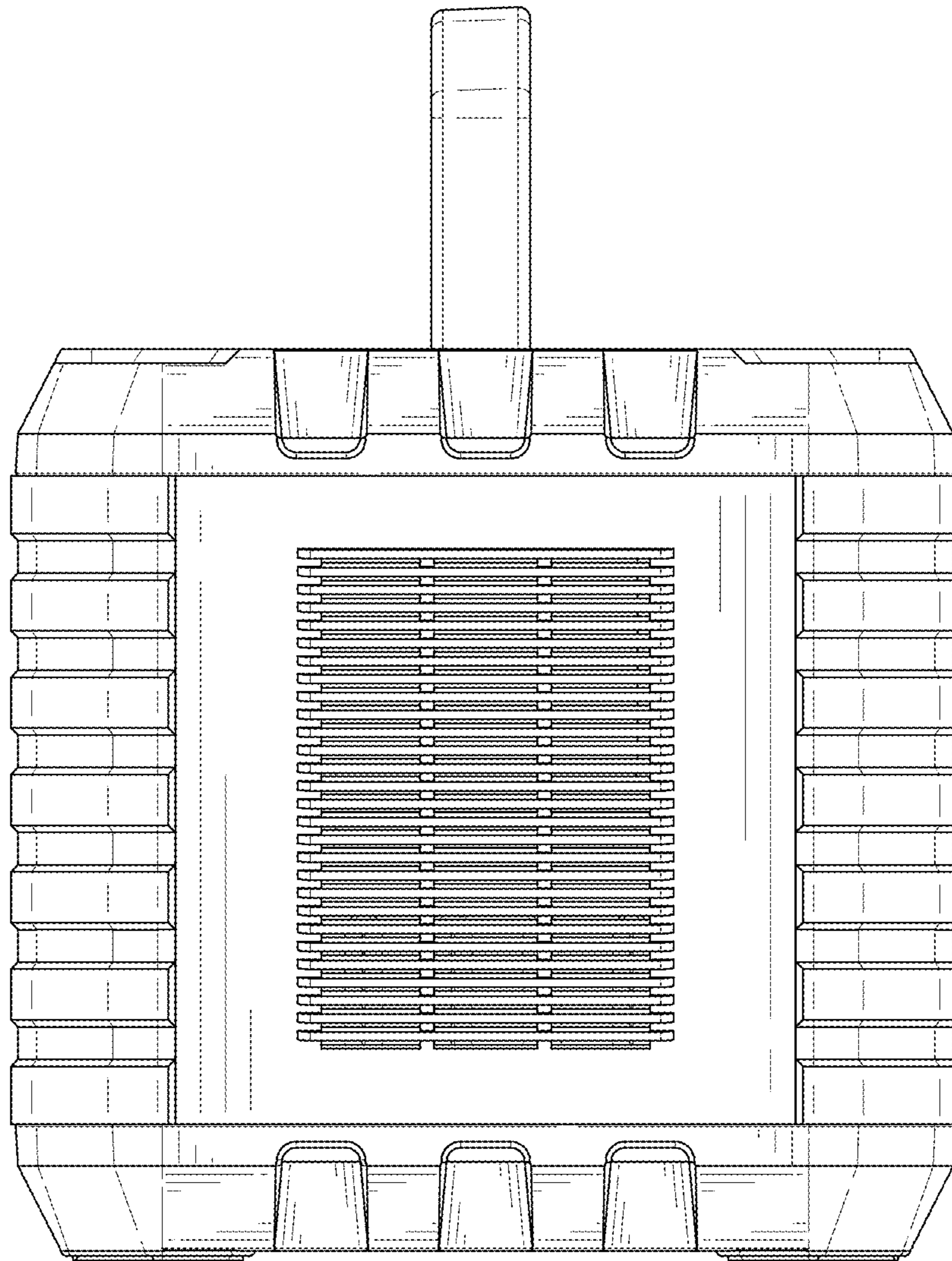


FIG. 5

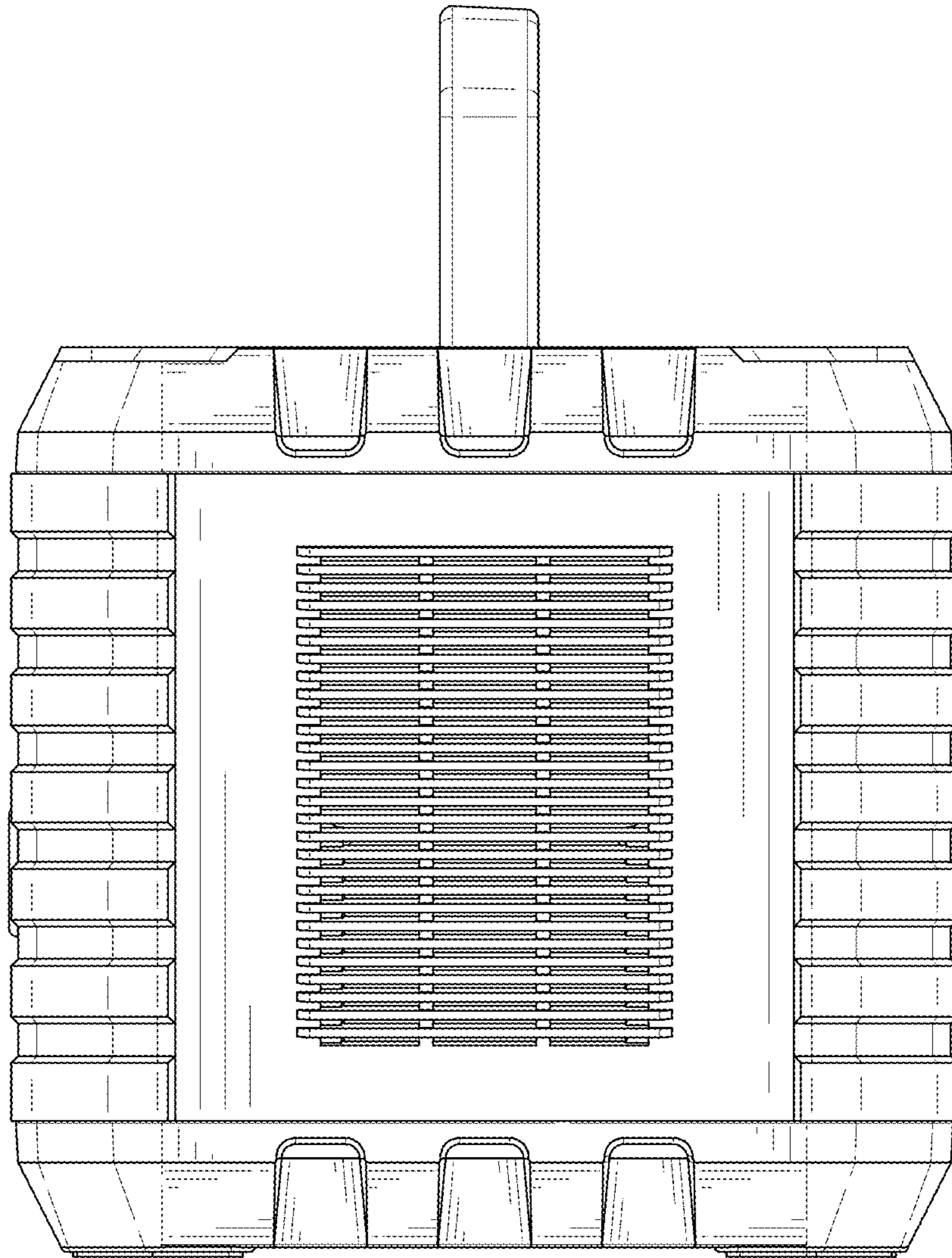


FIG. 6

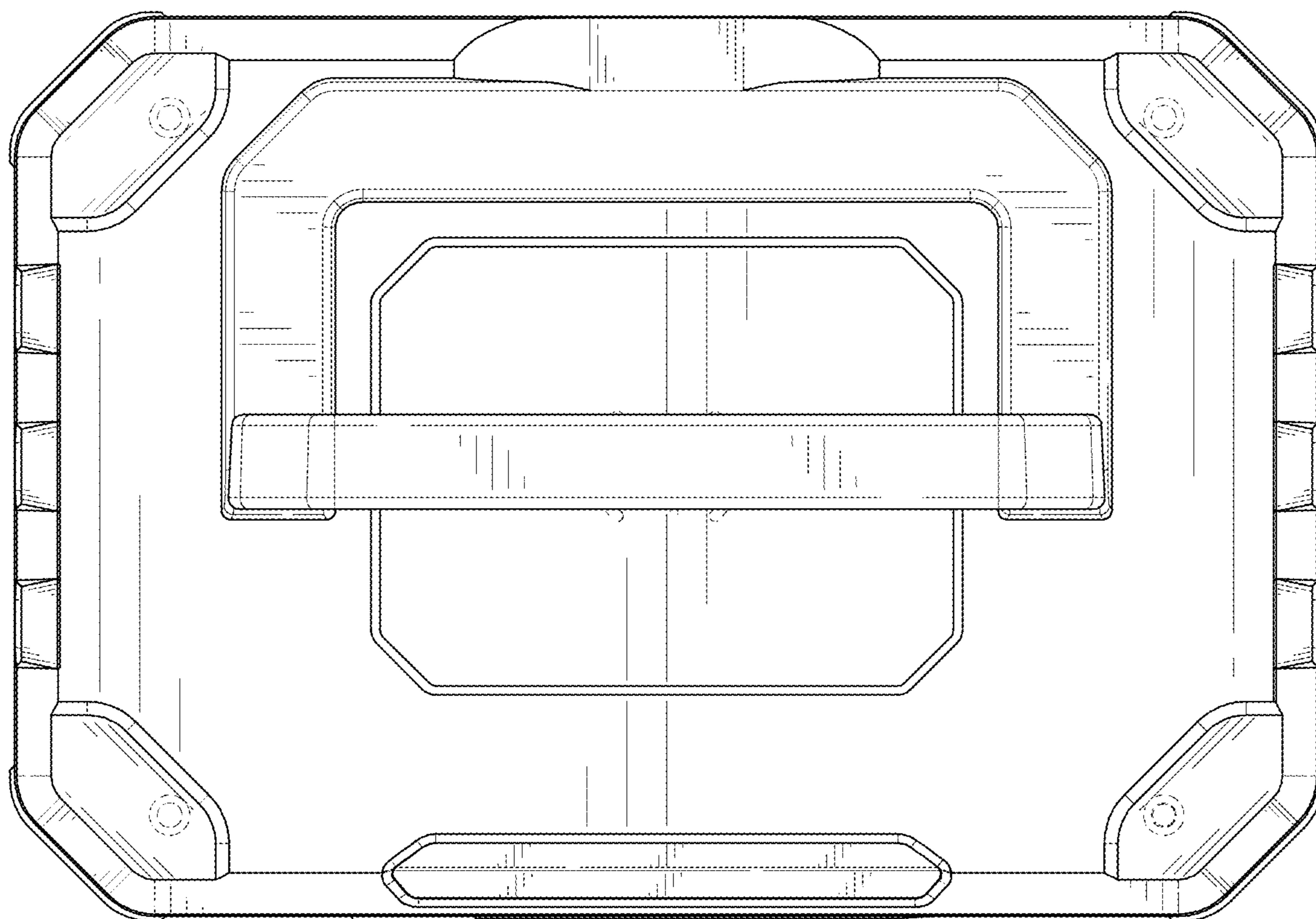


FIG. 7

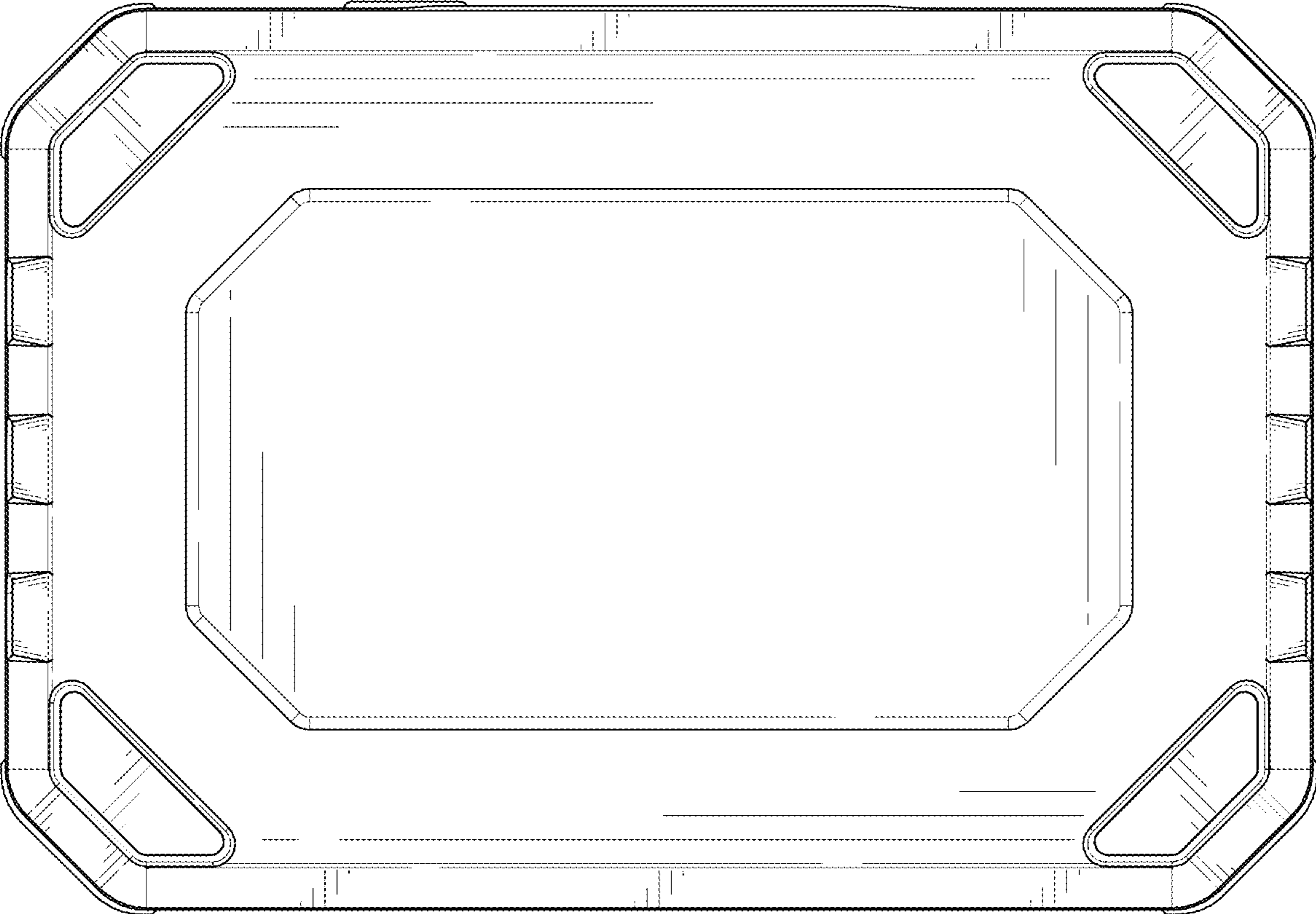


FIG. 8

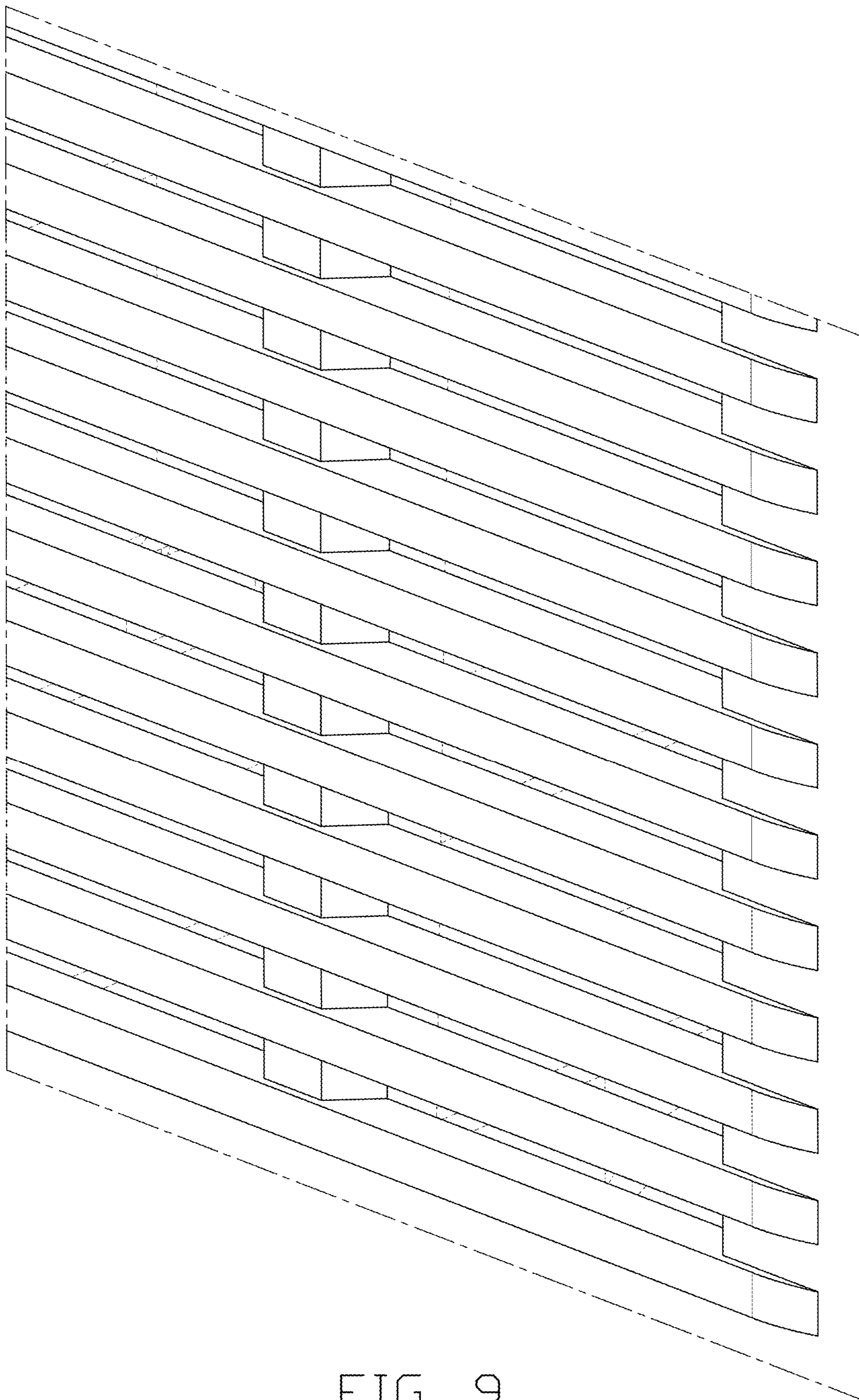


FIG. 9