

US00D931798S

(12) **United States Design Patent** (10) **Patent No.:** **US D931,798 S**
He (45) **Date of Patent:** **** Sep. 28, 2021**

(54) **BATTERY**

D707,626 S * 6/2014 Atkinson D13/110
D770,374 S * 11/2016 He D13/103
D865,659 S * 11/2019 Morgan D13/102

(71) Applicant: **SHENZHEN SEABOOM CO., LTD,**
Guangdong (CN)

FOREIGN PATENT DOCUMENTS

(72) Inventor: **Xiaoshan He,** Guangdong (CN)

CN 303747885 * 7/2016
CN 303747886 * 7/2016
CN 304103720 * 4/2017
CN 304107515 * 4/2017
CN 304369027 * 11/2017
CN 305291095 * 8/2019
CN 305412478 * 11/2019

(73) Assignee: **SHENZHEN SEABOOM CO., LTD,**
Shenzhen (CN)

(**) Term: **15 Years**

(Continued)

(21) Appl. No.: **29/717,952**

(22) Filed: **Dec. 19, 2019**

OTHER PUBLICATIONS

(51) **LOC (13) Cl.** **13-02**

“100Pcs BS-2-1 3V CR2025 CR2032 Button Battery Case Coin Cell Battery Socket Holder Battery Storage Box 2032 Battery Organizer”, first accessed May 17, 2021. AliExpress.com [https://www.aliexpress.com/item/33039827717.html] (Year: 2021).*

(52) **U.S. Cl.**

USPC **D13/103**

(58) **Field of Classification Search**

USPC D13/102, 103, 104, 105, 106, 107, 108,
D13/110, 118, 119, 184, 199; D3/273,
D3/274, 302, 201, 264

CPC Y02E 60/12; Y02E 60/122; Y02E 60/124;
Y02E 60/50; H01M 10/4257; H01M
10/0436; H01M 10/48; H01M 2/02;
H01M 2/022; H01M 2/0202; H01M
2/0207; H01M 2/0212; H01M 2/1061;
H01M 2/1022; H01M 2/1055; H01M
2/1066; H01M 2/105; H01M 2/204;
H01M 2/04; H01M 2/0404; H01M
2/0406; H01M 2/0465; H01M 2/06

See application file for complete search history.

Primary Examiner — Rosemary K Tarcza

Assistant Examiner — Seth David Kumpf

(57)

CLAIM

The ornamental design for a battery, as shown and described.

DESCRIPTION

FIG. 1 is a perspective view of a battery showing my new design;

FIG. 2 is another perspective view thereof;

FIG. 3 is a front elevation view thereof;

FIG. 4 is a left side view thereof;

FIG. 5 is a top plan view thereof; and,

FIG. 6 is a bottom plan view thereof.

The right side view is the same as the left side view and it is left out;

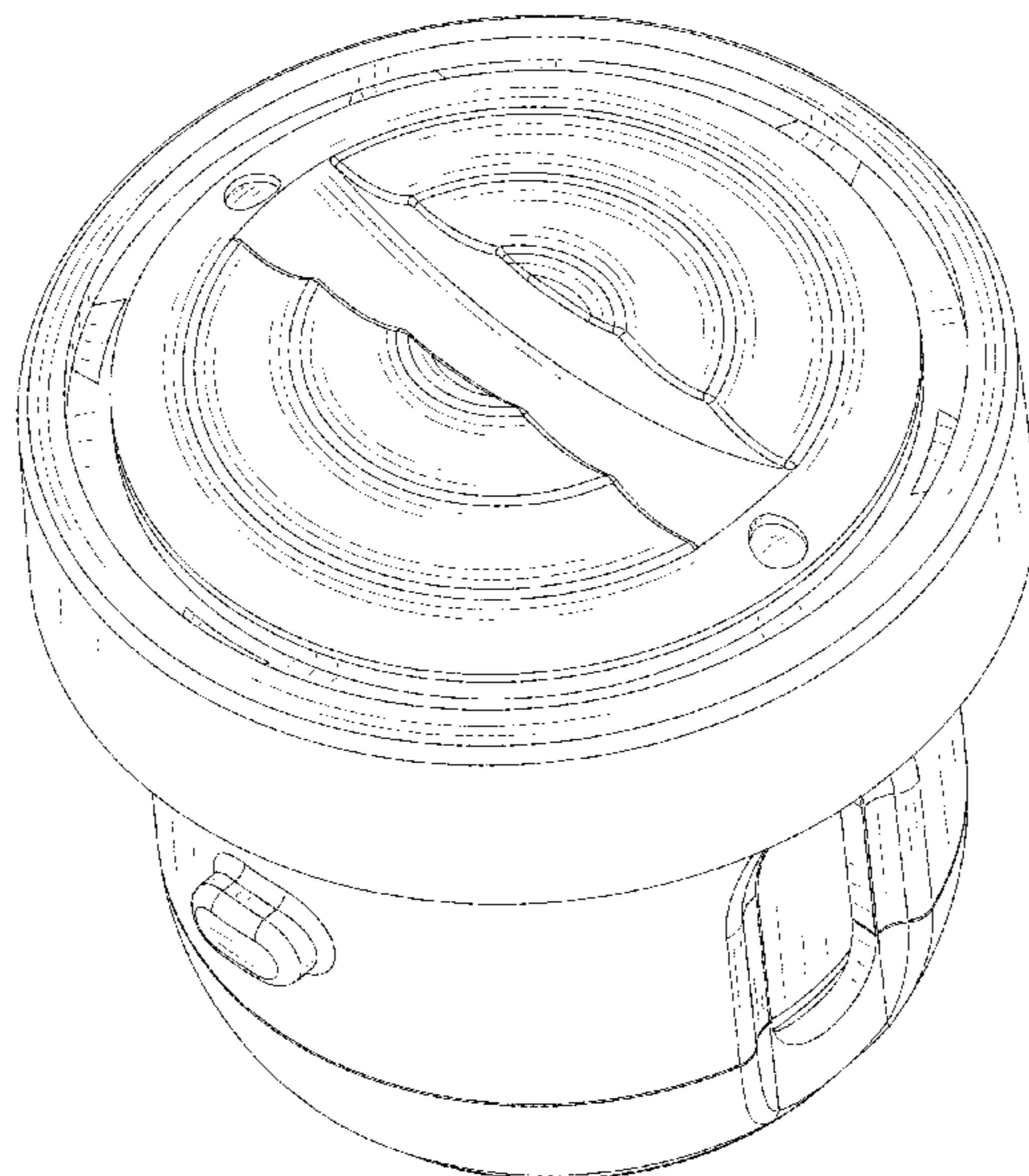
The back elevation view is the same as the front elevation view and it is left out.

(56) **References Cited**

U.S. PATENT DOCUMENTS

D515,027 S * 2/2006 Groh D13/103
D528,502 S * 9/2006 Fleetwood D13/103
D531,117 S * 10/2006 Schrick D13/103
D575,734 S * 8/2008 Groh D13/119
D669,848 S * 10/2012 Andresen D13/102

1 Claim, 6 Drawing Sheets



(56)

References Cited

FOREIGN PATENT DOCUMENTS

CN	305478750	* 12/2019
JP	D1646791	* 12/2019

OTHER PUBLICATIONS

“Button Cell Battery Holder For CR2032 PCB 180 Degree EasyIn/Out Insertion and Removal”, first accessed May 17, 2021. PIMfg.com [<https://www.pimfg.com/product-detail/BTH2032-1>] (Year: 2021).*

* cited by examiner

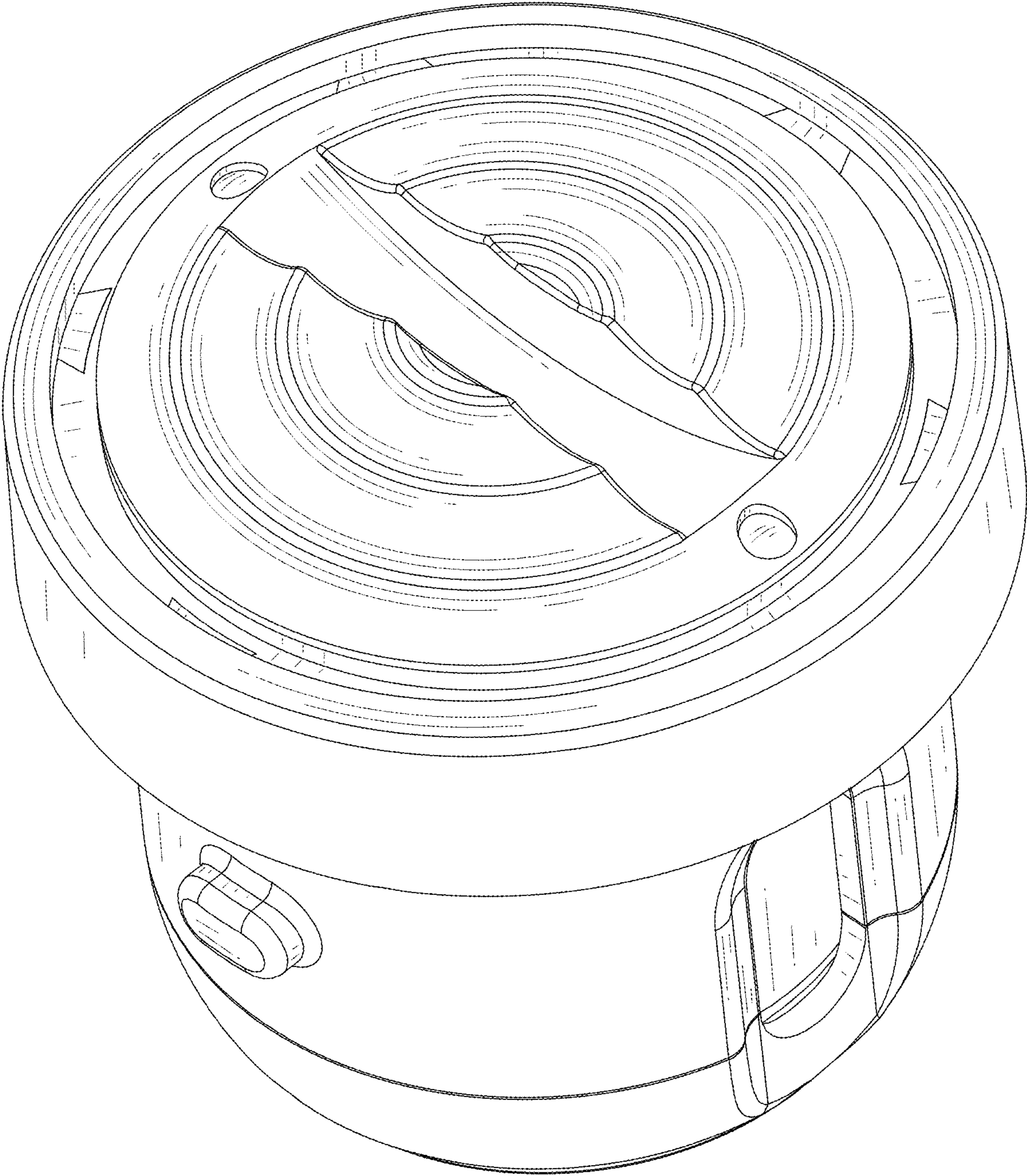


FIG. 1

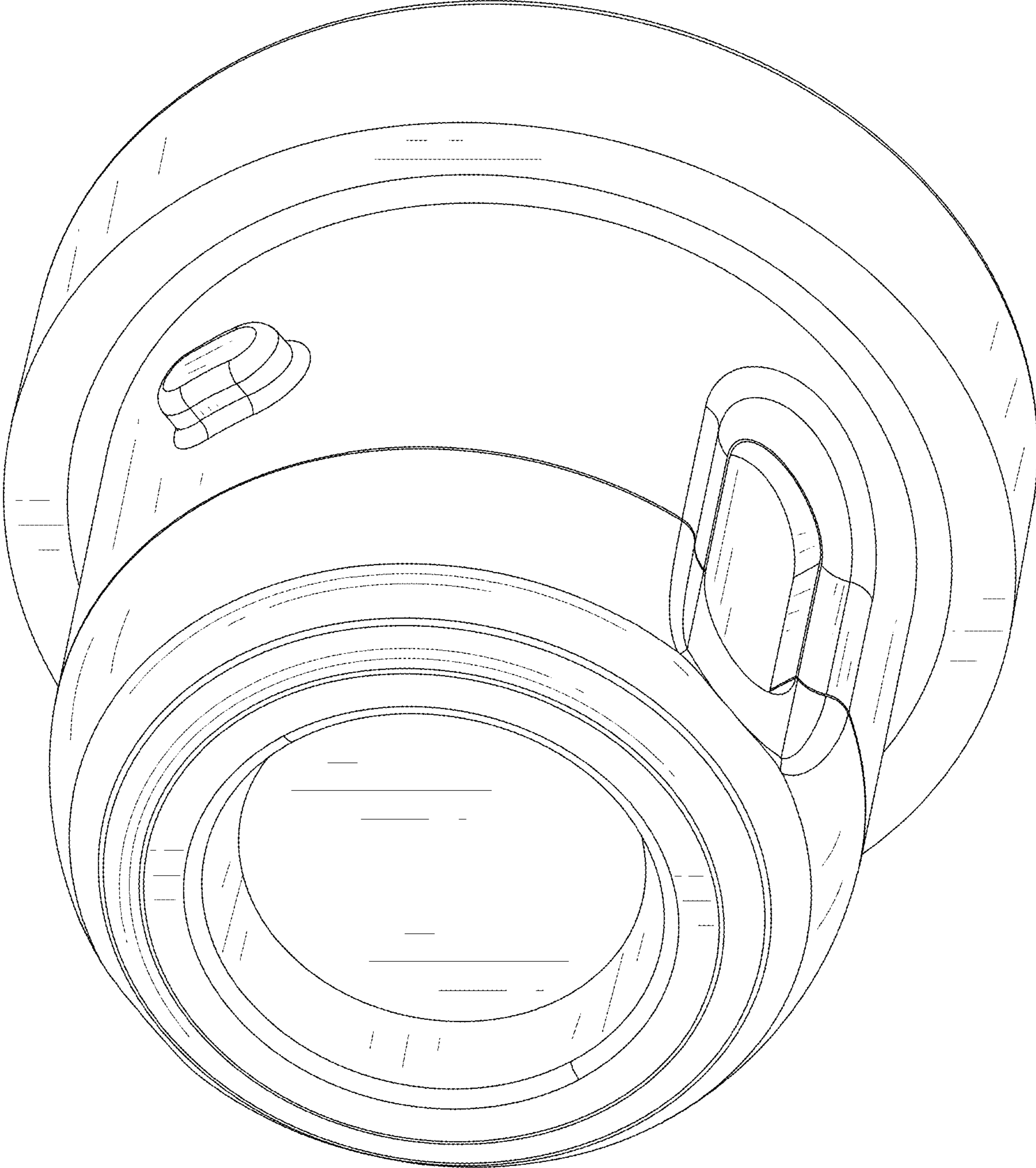


FIG. 2

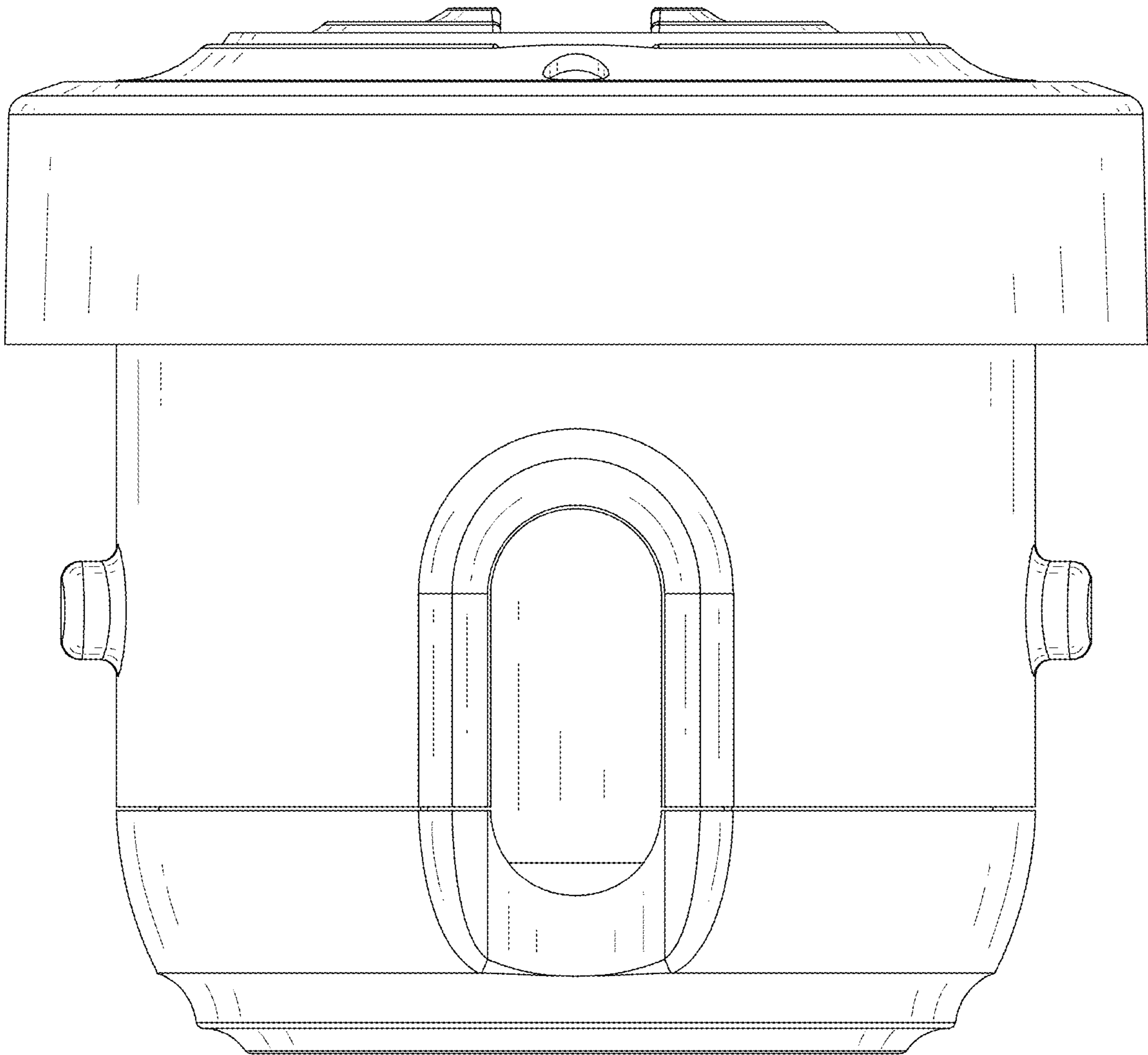


FIG. 3

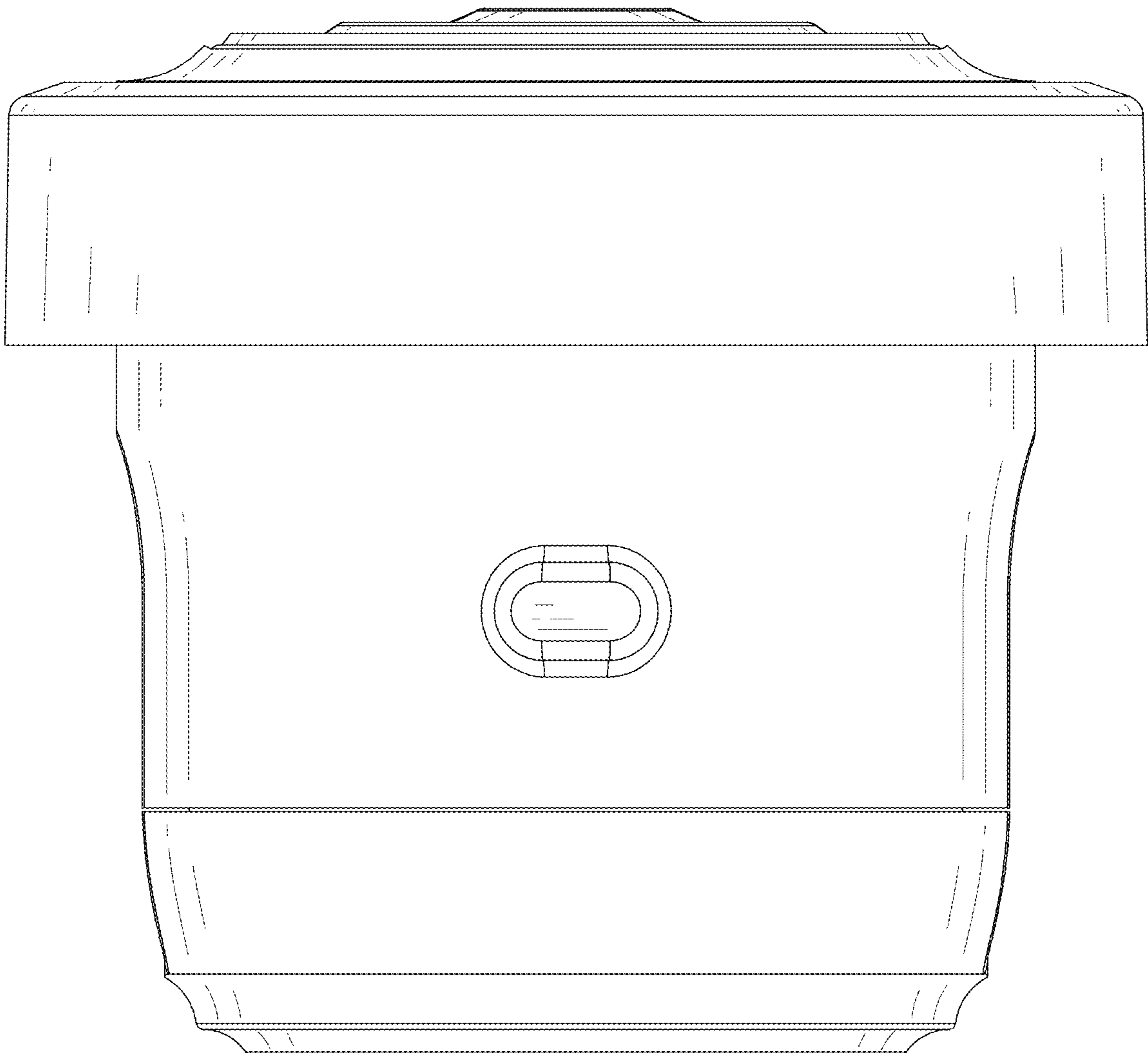


FIG. 4

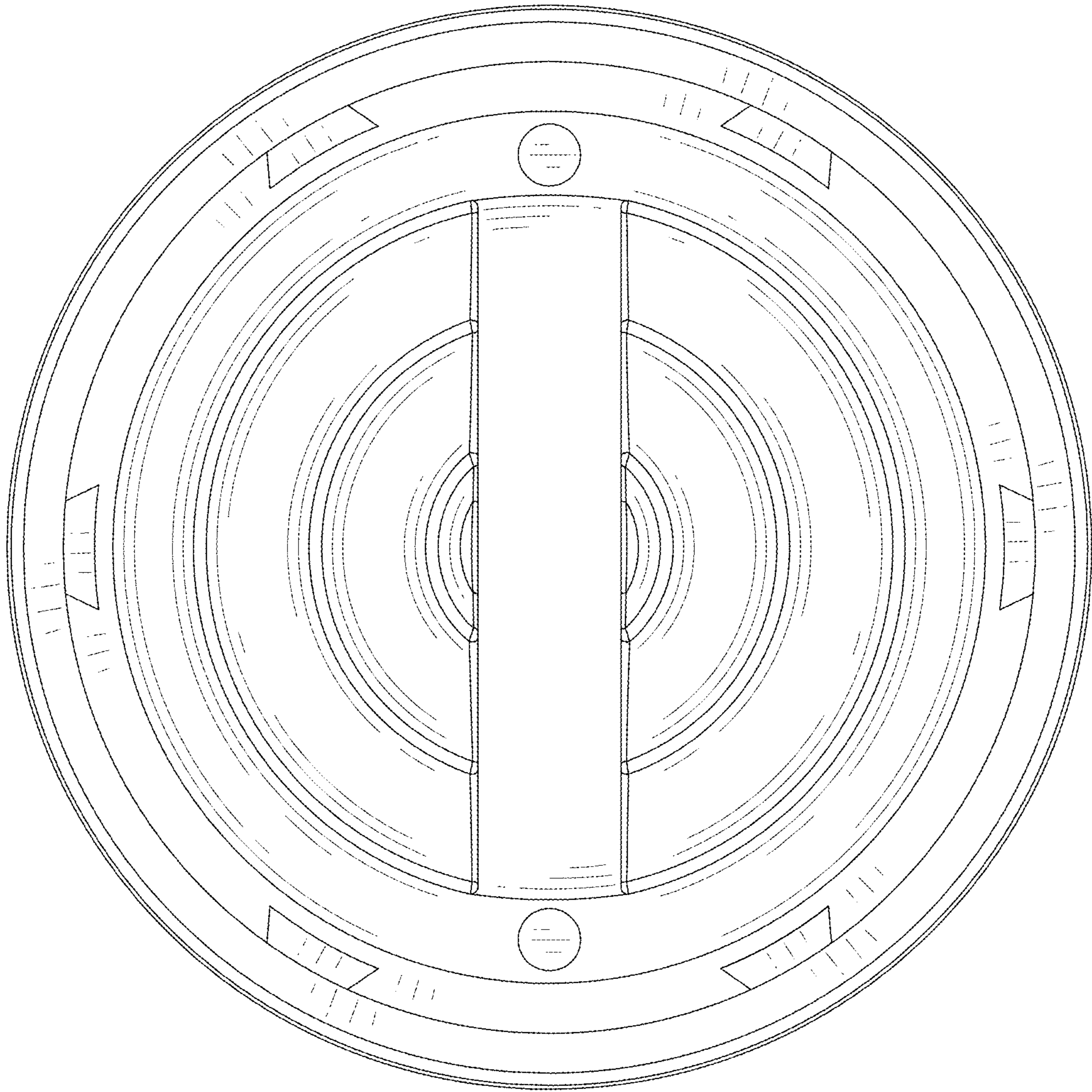


FIG. 5

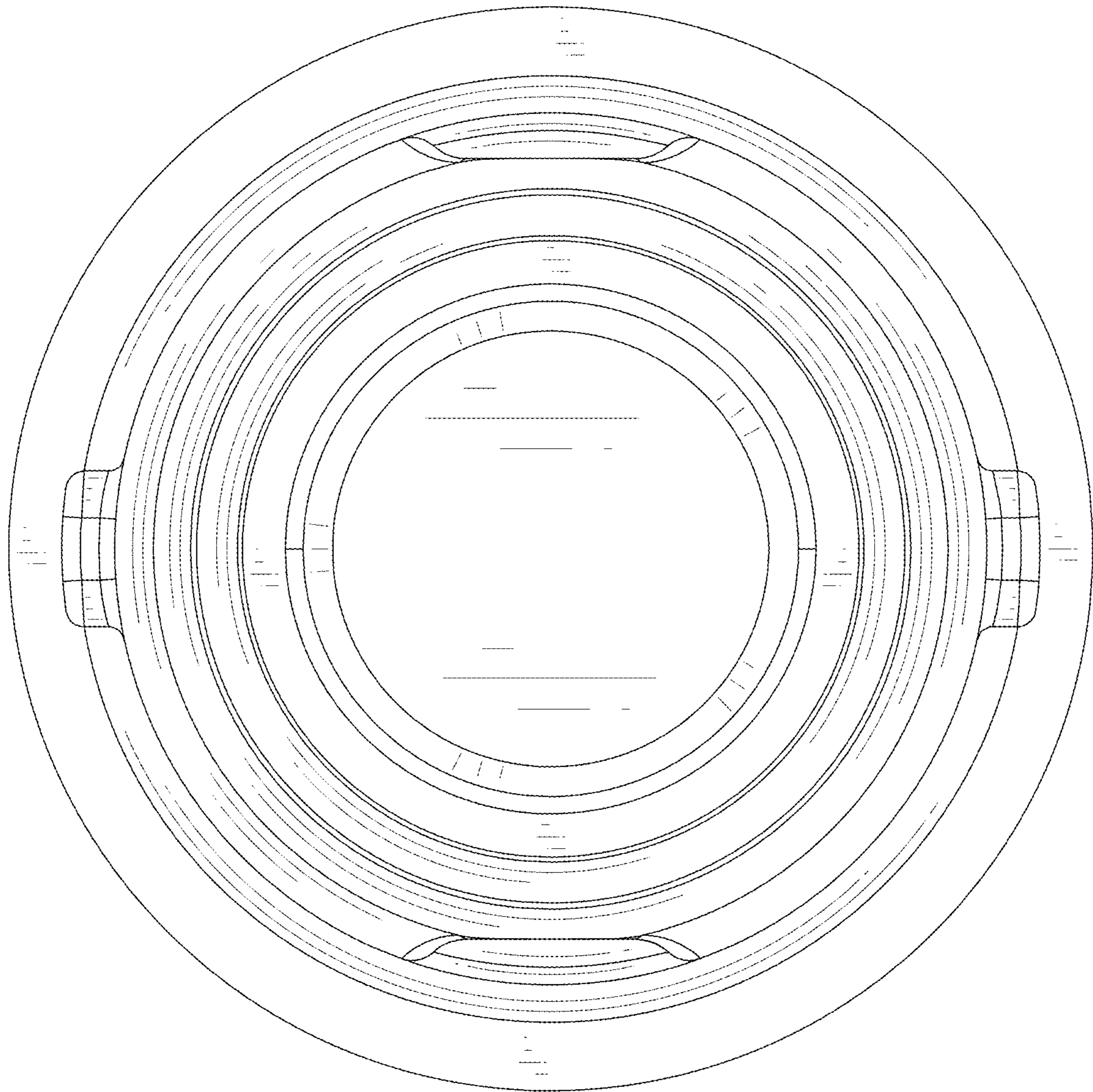


FIG. 6