



US00D931797S

(12) **United States Design Patent**  
**Burbank et al.**

(10) **Patent No.:** **US D931,797 S**

(45) **Date of Patent:** **\*\* Sep. 28, 2021**

(54) **BATTERY**

(71) Applicant: **iRobot Corporation**, Bedford, MA (US)

(72) Inventors: **Eric Burbank**, Bedford, MA (US);  
**Stephen A. Hickey**, Somerville, MA (US); **Milan Modh**, Waltham, MA (US)

(73) Assignee: **iRobot Corporation**, Bedford, MA (US)

(\*\*) Term: **15 Years**

(21) Appl. No.: **29/692,909**

(22) Filed: **May 29, 2019**

(51) **LOC (13) Cl.** ..... **13-02**

(52) **U.S. Cl.**  
USPC ..... **D13/103**

(58) **Field of Classification Search**  
USPC ..... D13/102, 103, 107, 108, 110, 112, 113, D13/118, 119, 184, 199  
CPC ..... Y02T 10/7005; Y02T 10/705; Y02T 10/7088; H02J 7/025; H02J 7/0042; H02J 7/0044; H02J 7/0045; H02J 7/0003; H01F 38/14; H01M 2/02; H01M 2/022; H01M 2/0202; H01M 2/0207; H01M 2/0212; H01M 2/1061; H01M 2/1022; H01M 2/1055; H01M 2/1066; H01M 2/105; H01M 2/204; Y02E 60/12; Y02E 60/122; Y02E 60/124; Y02E 60/50  
See application file for complete search history.

(56) **References Cited**

**U.S. PATENT DOCUMENTS**

- D557,204 S \* 12/2007 Panebianco ..... D13/103
- D637,552 S \* 5/2011 Inman ..... D13/103
- D654,850 S \* 2/2012 Obata ..... D13/103
- D660,788 S \* 5/2012 Ziring ..... D13/103

- D685,729 S \* 7/2013 Lyman ..... D13/103
- D686,157 S \* 7/2013 Kawase ..... D13/119
- D686,981 S \* 7/2013 Koyabu ..... D13/103
- D699,179 S \* 2/2014 Alexander ..... D13/103
- D729,729 S \* 5/2015 Rabalais ..... D13/107
- D744,947 S \* 12/2015 Rabalais ..... D13/108
- D765,030 S \* 8/2016 Tyler ..... D13/119
- D765,592 S \* 9/2016 Friend ..... D13/103
- D811,994 S \* 3/2018 Hare ..... D13/103
- D817,278 S \* 5/2018 Tyler ..... D13/119
- D829,169 S \* 9/2018 Okado ..... D13/110
- D832,782 S \* 11/2018 Leabman ..... D13/108
- D832,783 S \* 11/2018 Leabman ..... D13/108
- D844,556 S \* 4/2019 Irfan ..... D13/103
- D867,993 S \* 11/2019 DeKeuster ..... D13/119
- D871,336 S \* 12/2019 Gillett ..... D13/112
- D878,289 S \* 3/2020 Supron ..... D13/103
- D882,539 S \* 4/2020 Choubey ..... D13/184
- D884,618 S \* 5/2020 Vahle ..... D13/108

(Continued)

*Primary Examiner* — Christy Nemeth

(74) *Attorney, Agent, or Firm* — Fish & Richardson P.C.

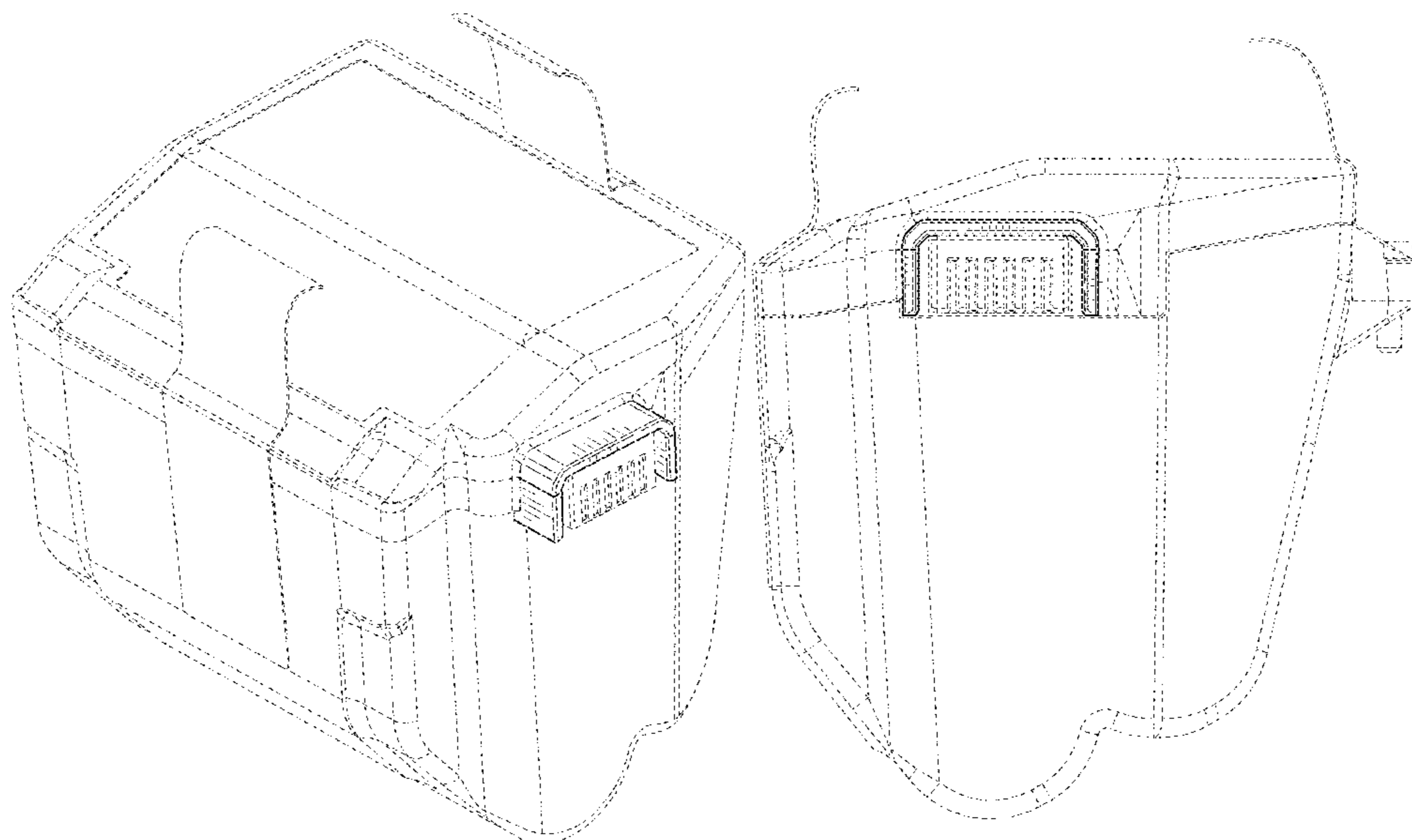
(57) **CLAIM**

The ornamental design for a battery, substantially as shown and described.

**DESCRIPTION**

FIG. 1 is a front perspective view of a battery.  
 FIG. 2 is a front view of the battery of FIG. 1.  
 FIG. 3 is a rear view of the battery of FIG. 1.  
 FIG. 4 is a right side view of the battery of FIG. 1.  
 FIG. 5 is a left side view of the battery of FIG. 1.  
 FIG. 6 is a top view of the battery of FIG. 1.  
 FIG. 7 is a bottom view of the battery of FIG. 1; and,  
 FIG. 8 is a rear perspective view of the battery of FIG. 1.  
 The dash-dash broken lines in the drawings are for the purpose of illustrating portions of the article that form no part of the claimed design. The dot-dash line illustrates a boundary of the claimed design.

**1 Claim, 8 Drawing Sheets**



(56)

**References Cited**

U.S. PATENT DOCUMENTS

D884,629	S	*	5/2020	Zhong	.....	D13/110
D885,331	S	*	5/2020	Suzuki	.....	D13/108
D889,396	S	*	7/2020	Choi	.....	D13/103
D895,540	S	*	9/2020	Hasenmayer	.....	D13/107
D897,278	S	*	9/2020	Zeng	.....	D13/102
D897,948	S	*	10/2020	Yrad, Jr.	.....	D13/107
D900,021	S	*	10/2020	Shen	.....	D13/103
10,803,270	B2	*	10/2020	Handshaw	.....	G06K 7/1413
D902,847	S	*	11/2020	Sexton	.....	D13/107
D908,993	S	*	1/2021	Li	.....	D32/31
D909,291	S	*	2/2021	Lucas	.....	D13/103
D910,577	S	*	2/2021	Ogawa	.....	D13/147
2019/0315236	A1	*	10/2019	Mere	.....	B60L 53/57

\* cited by examiner

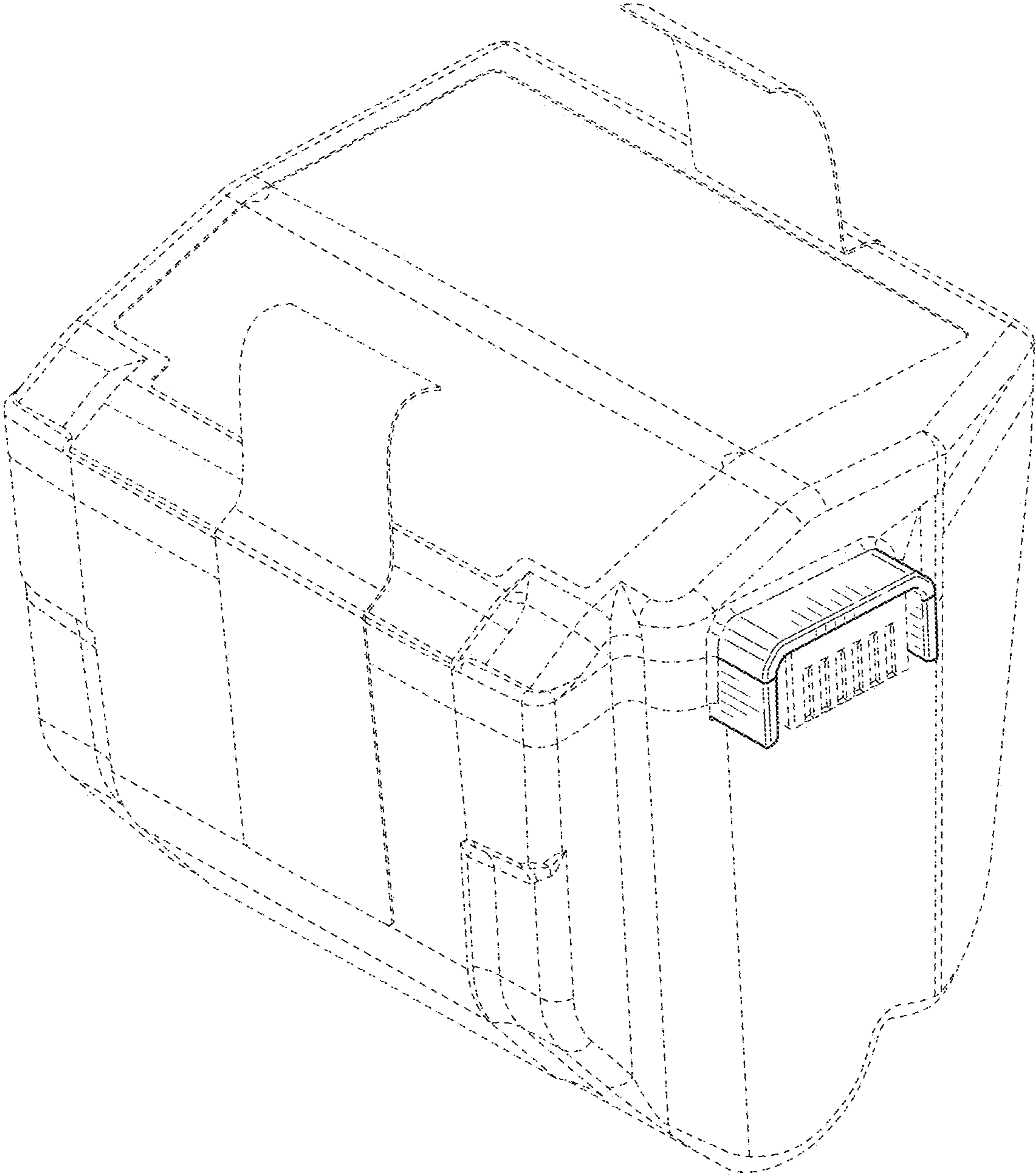


FIG. 1

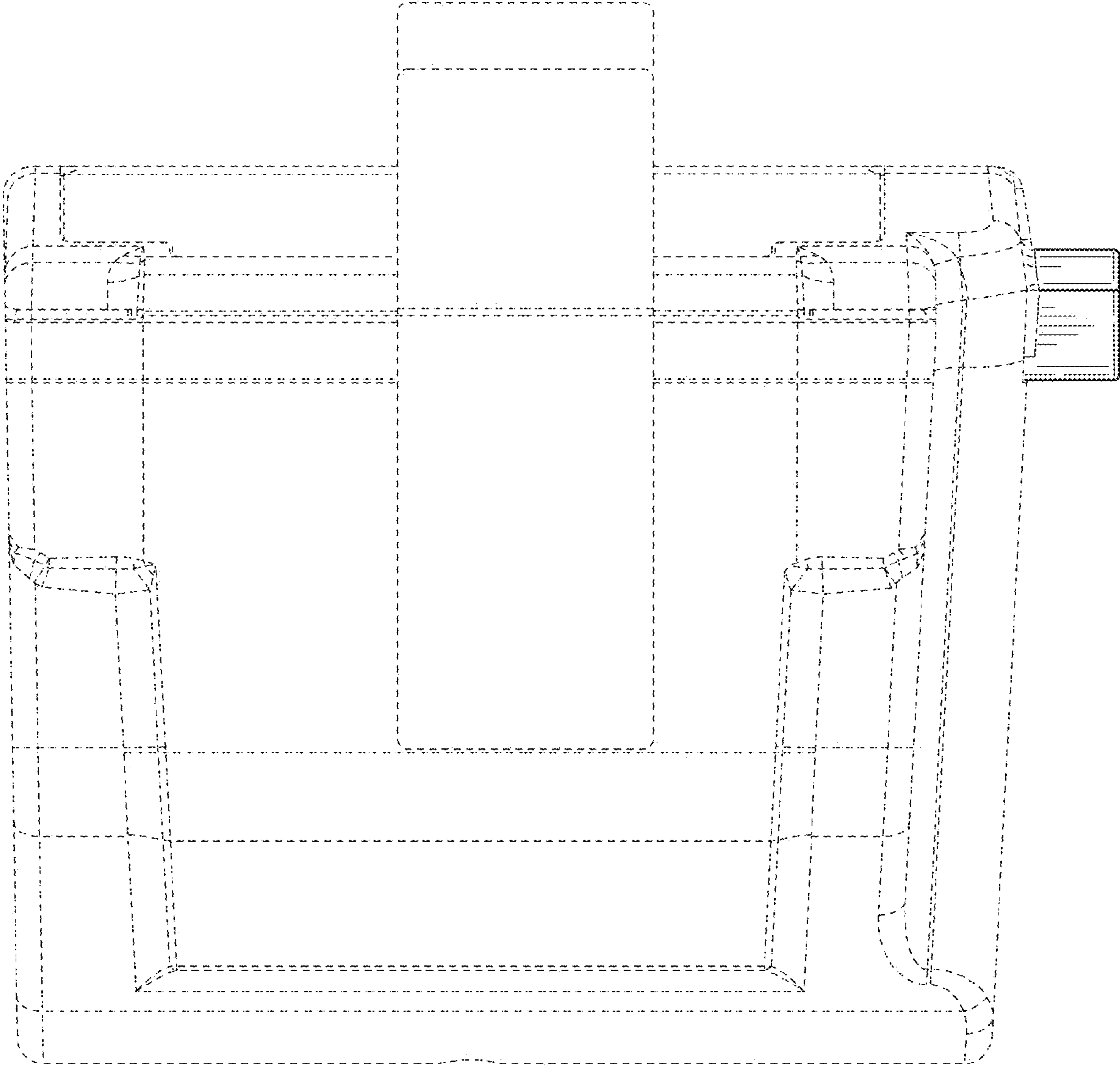


FIG. 2

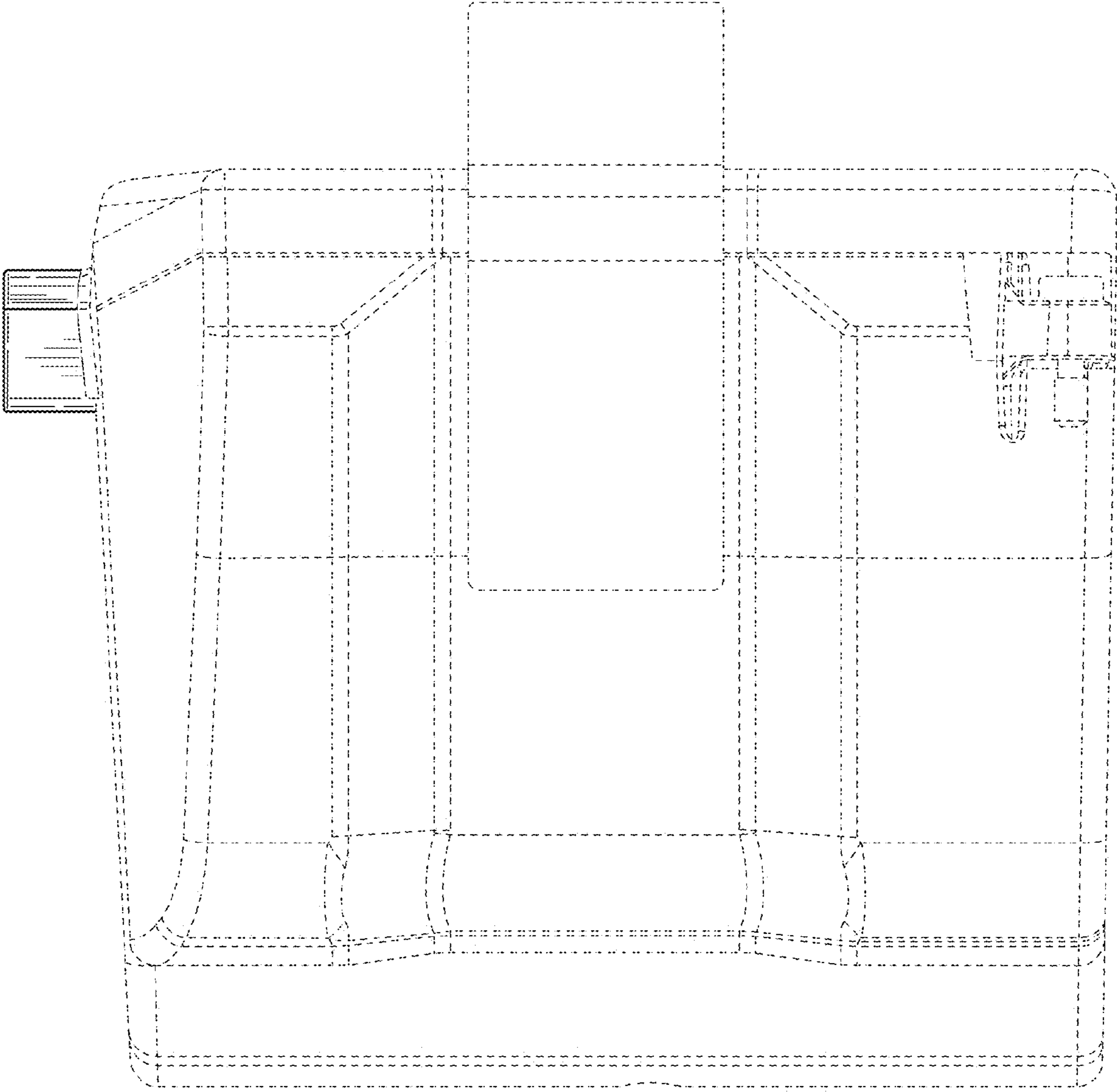


FIG. 3

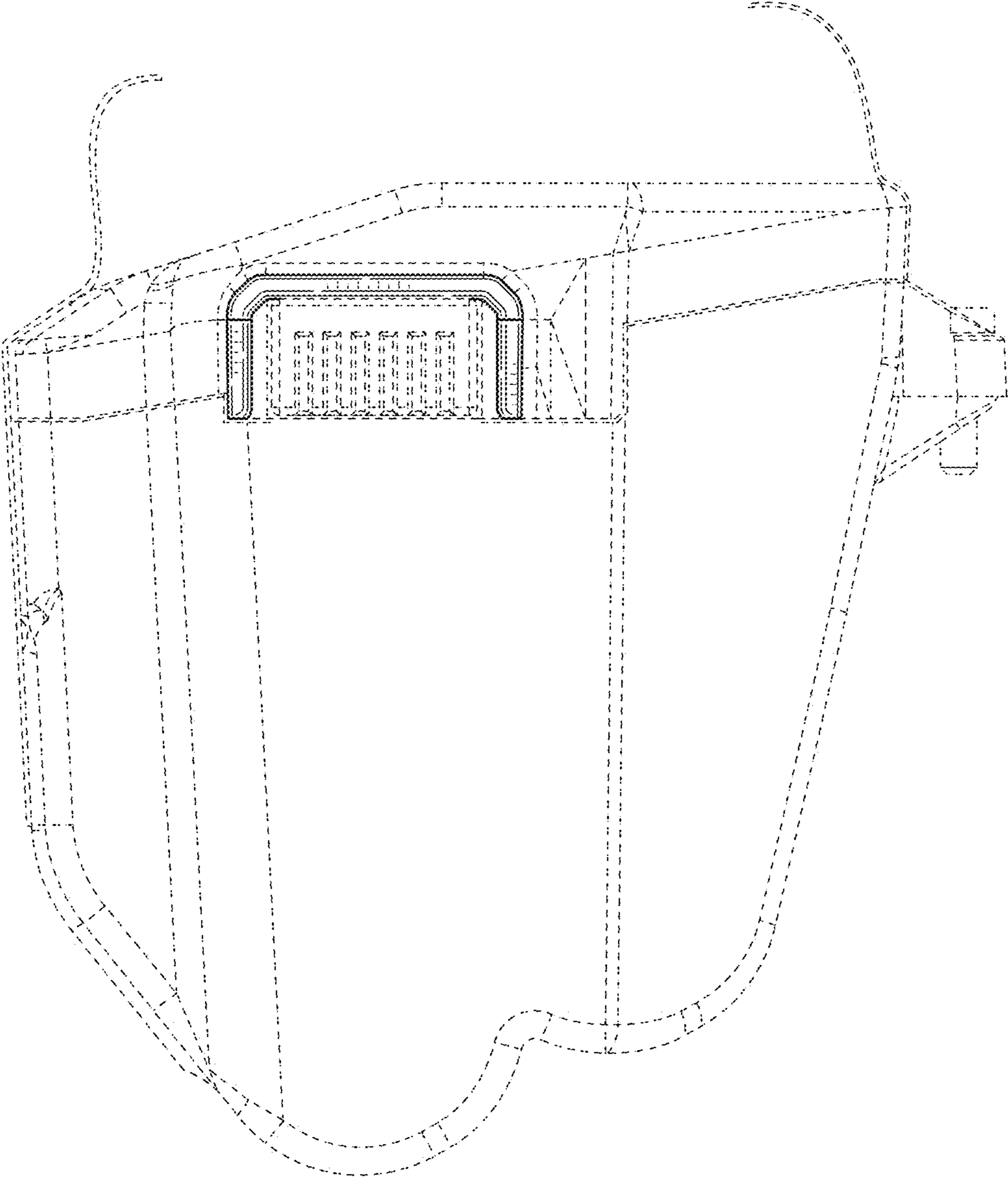


FIG. 4

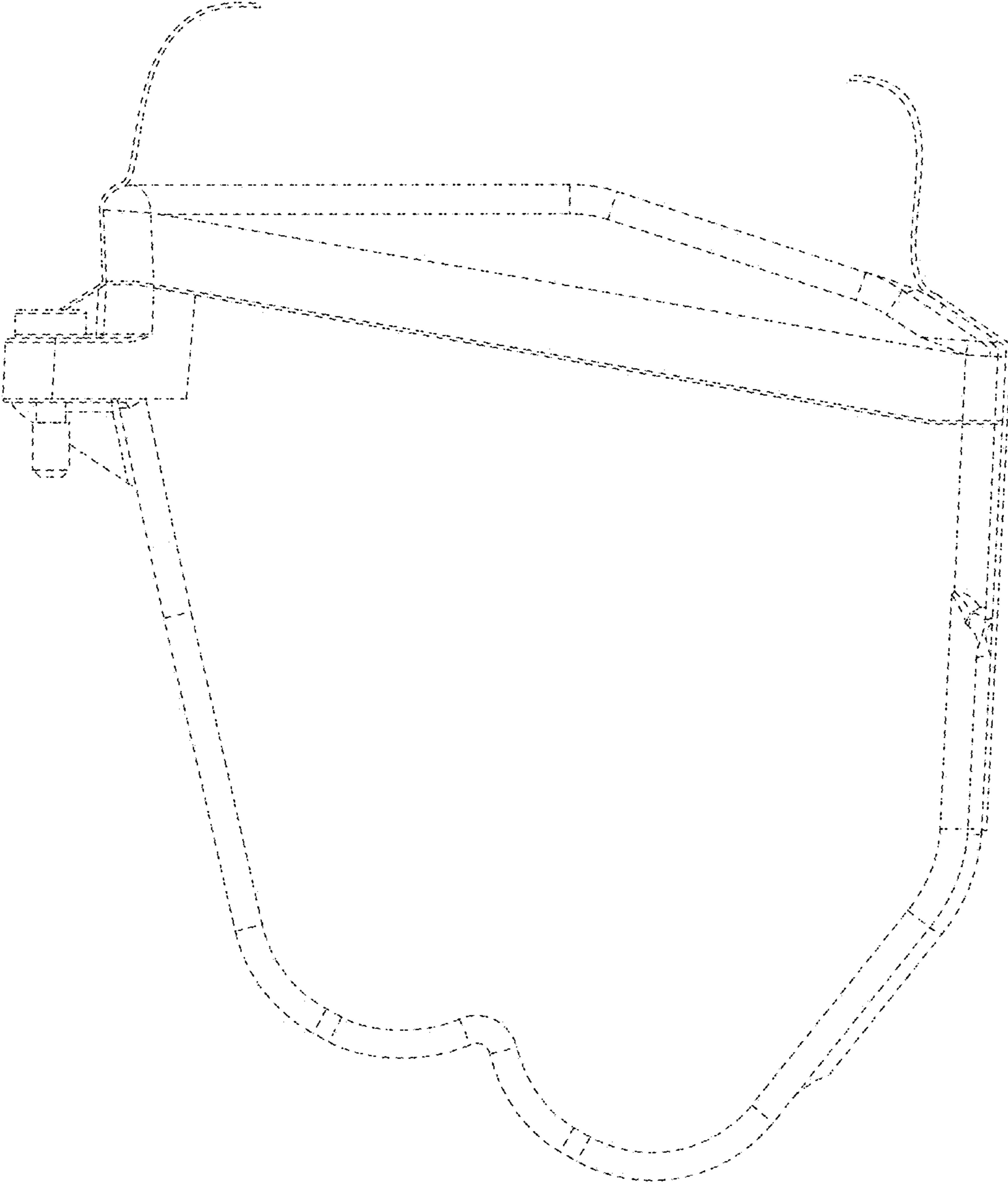


FIG. 5

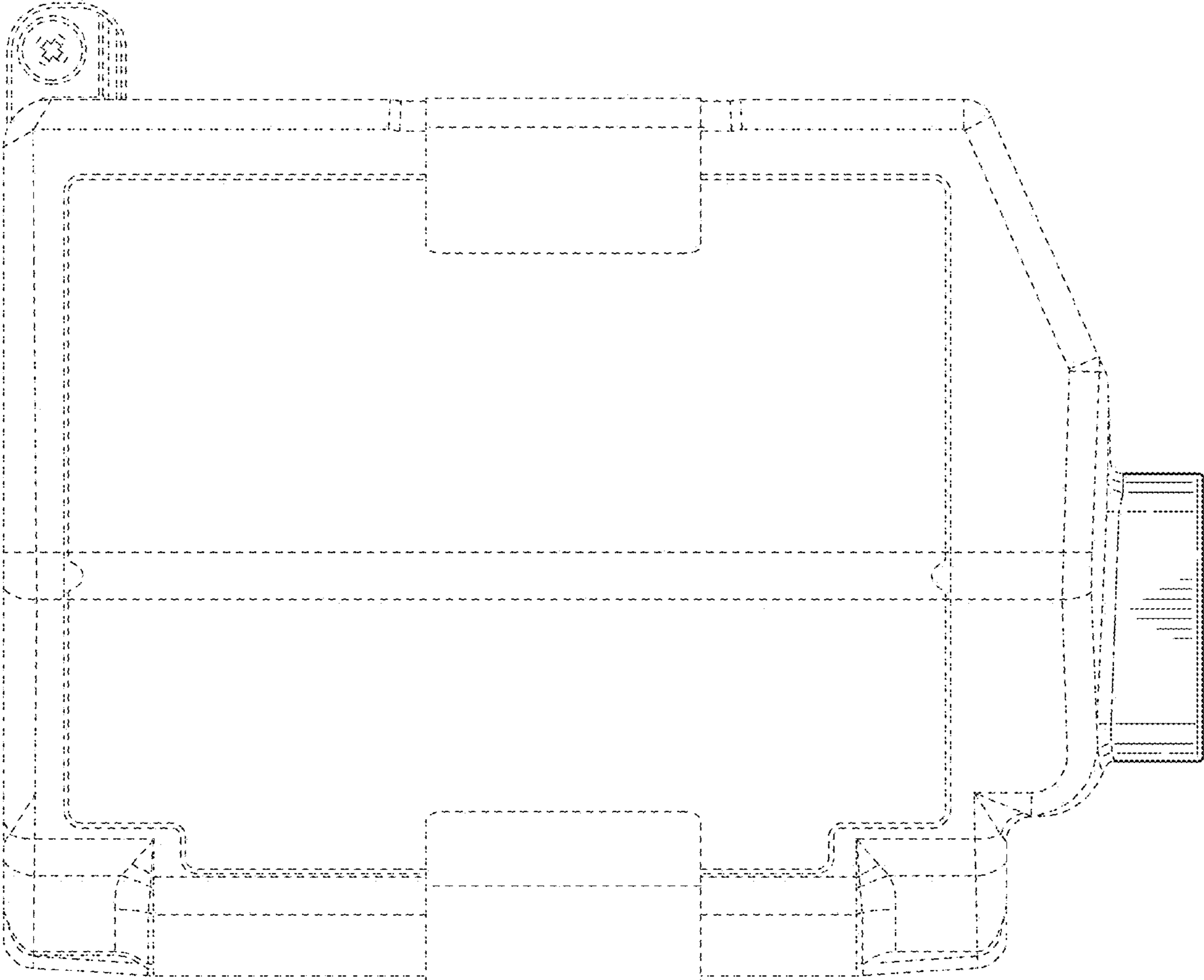


FIG. 6



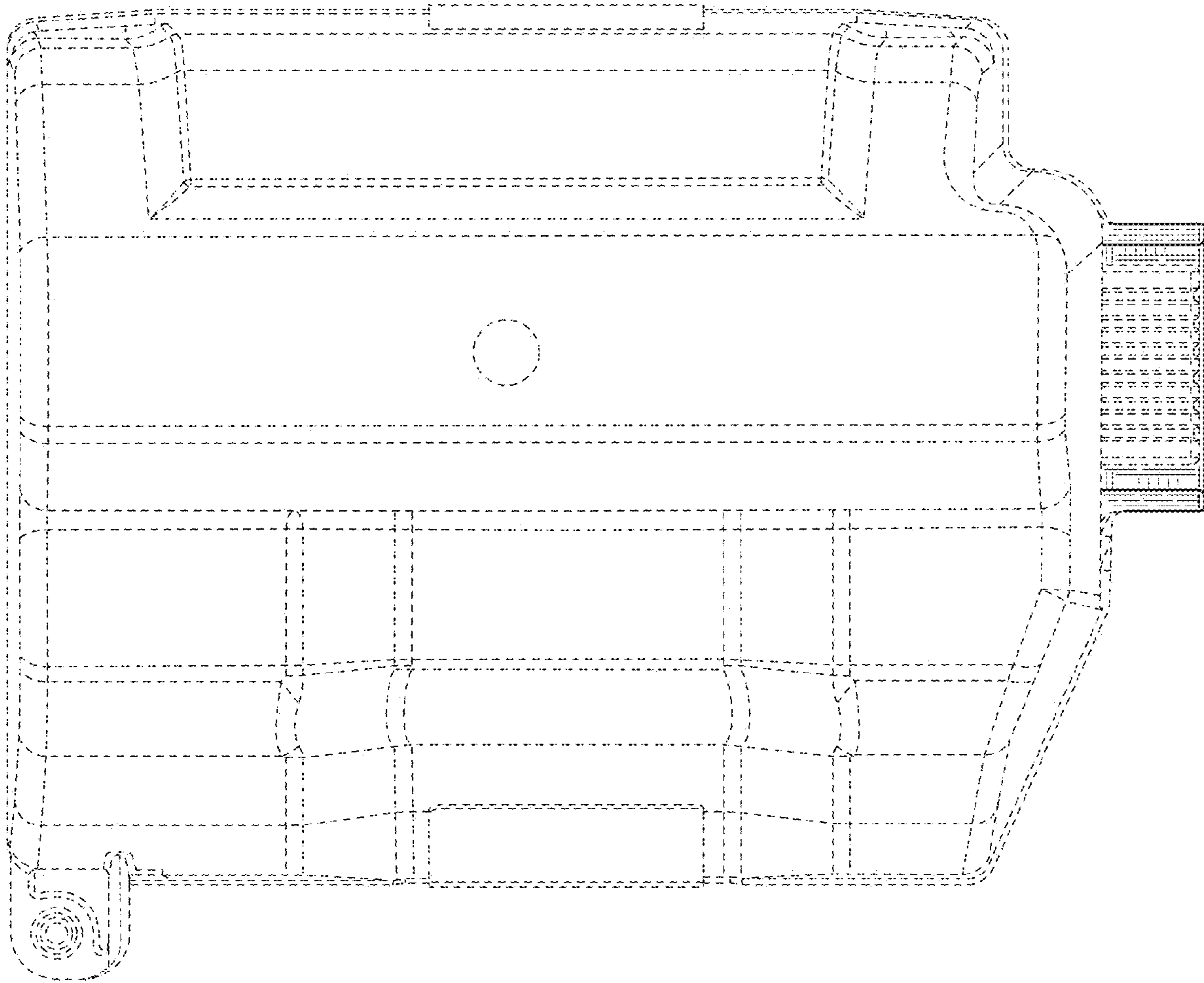


FIG. 7

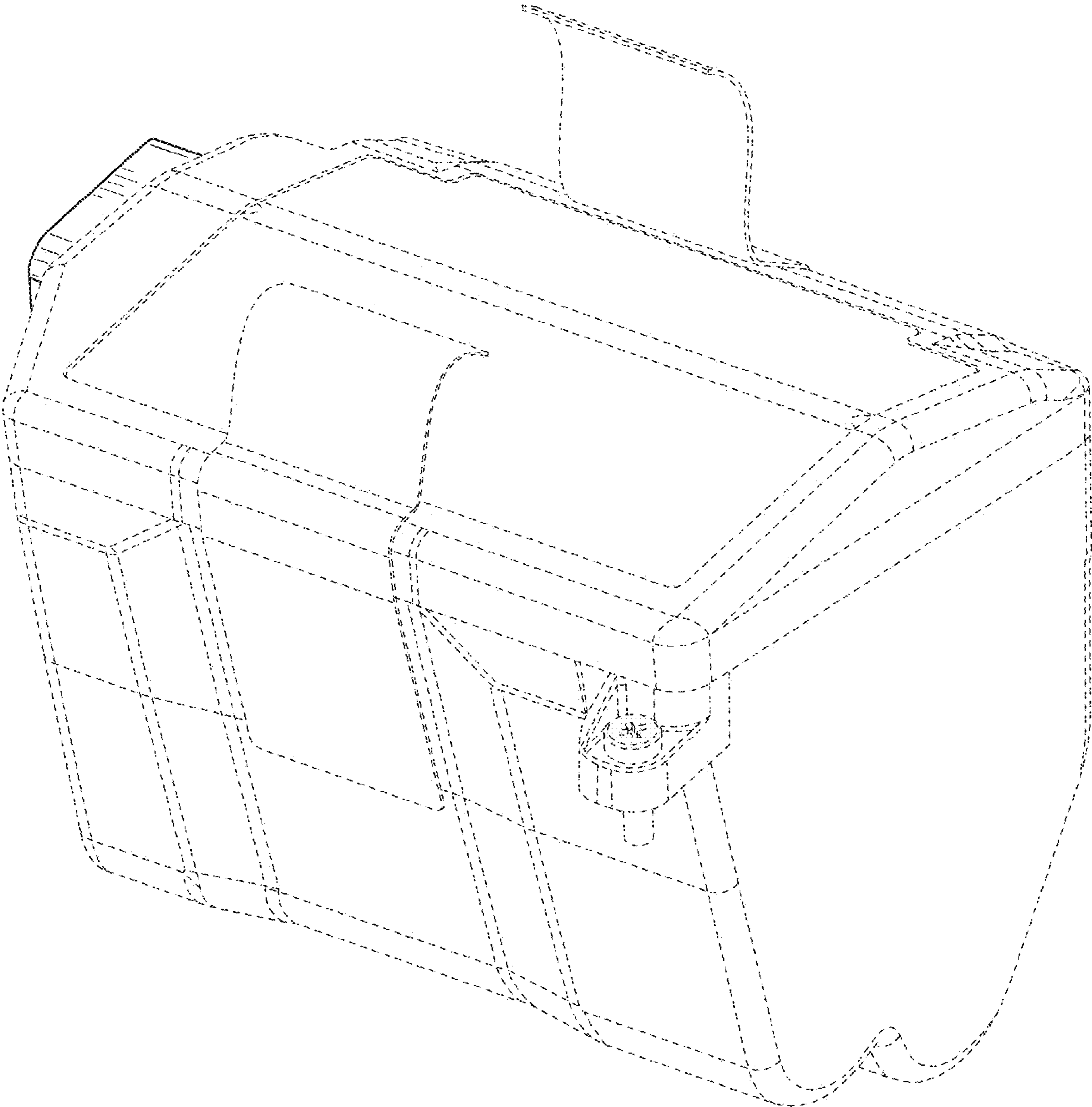


FIG. 8