



US00D931796S

(12) **United States Design Patent**  
**Huang**

(10) **Patent No.:** **US D931,796 S**

(45) **Date of Patent:** **\*\* Sep. 28, 2021**

(54) **FOLDABLE SOLAR PANEL WITH  
DETACHABLE KICKSTAND**

(71) Applicant: **Xiamen Tuopusheng Energy  
Technology Co., Ltd, Fujian (CN)**

(72) Inventor: **Bingqing Huang, Fujian (CN)**

(73) Assignee: **Xiamen Tuopusheng Energy  
Technology Co., Ltd, Xiamen (CN)**

(\*\*) Term: **15 Years**

(21) Appl. No.: **29/753,618**

(22) Filed: **Oct. 1, 2020**

(51) **LOC (13) Cl.** ..... **13-02**

(52) **U.S. Cl.**  
USPC ..... **D13/102**

(58) **Field of Classification Search**  
USPC ..... D13/102, 101, 103, 110, 107, 108, 199  
CPC ..... H01L 31/00; H01L 31/042; H01L 31/045;  
H01L 31/048; H01L 31/052; H01L  
31/0475; H01L 31/0485; H01L 31/0525;  
H01L 31/0504; H01L 31/02013; H01M  
10/052; H01M 10/465; H02S 30/10;  
H02S 30/20; Y02E 10/40; Y02E 10/47;  
Y02E 10/50; Y02E 10/52; Y02E 10/542;  
Y02E 10/544; Y10S 136/291; Y10S  
136/293; H02J 7/35; H02J 7/0042

See application file for complete search history.

(56) **References Cited**

**U.S. PATENT DOCUMENTS**

- 5,814,906 A \* 9/1998 Spencer ..... G06F 1/26  
307/150
- D510,316 S \* 10/2005 Hayakawa ..... D13/102
- D599,286 S \* 9/2009 Horito ..... D13/102

- D670,645 S \* 11/2012 Qian ..... D13/102
- D696,669 S \* 12/2013 Akana ..... D14/440
- D776,050 S \* 1/2017 Awad ..... D13/102
- D778,234 S 2/2017 Cheung et al.
- D817,265 S 5/2018 Liu et al.
- D848,363 S \* 5/2019 Bai ..... D13/102

\* cited by examiner

*Primary Examiner* — Derrick E Holland

(57) **CLAIM**

The ornamental design for a foldable solar panel with detachable kickstand, as shown and described.

**DESCRIPTION**

FIG. 1 is a perspective view of a first embodiment of a foldable solar panel with detachable kickstand showing the new design;

FIG. 2 is the opposite side view of FIG. 1;

FIG. 3 is a front view thereof;

FIG. 4 is a back view thereof;

FIG. 5 is a left side view thereof;

FIG. 6 is a right side view thereof;

FIG. 7 is a top view thereof; and

FIG. 8 is a bottom view thereof.

FIG. 9 is a perspective view of a second embodiment of a foldable solar panel with detachable kickstand showing the new design;

FIG. 10 is the opposite side view of FIG. 9;

FIG. 11 is a front view thereof;

FIG. 12 is a back view thereof;

FIG. 13 is a left side view thereof;

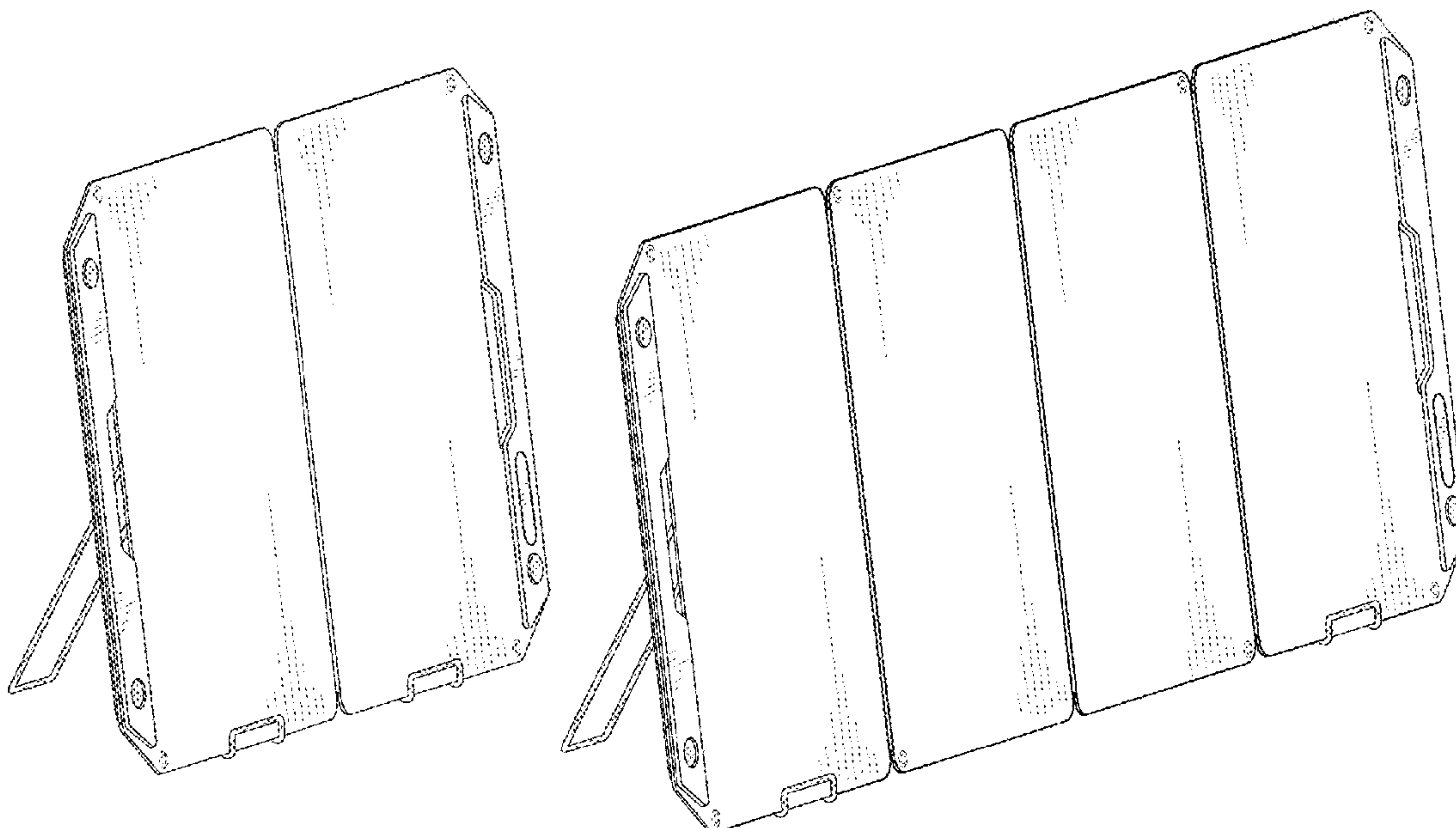
FIG. 14 is a right side view thereof;

FIG. 15 is a top view thereof; and,

FIG. 16 is a bottom view thereof.

The broken lines in the drawing depict environmental subject matter only and form no part of the claimed design.

**1 Claim, 16 Drawing Sheets**



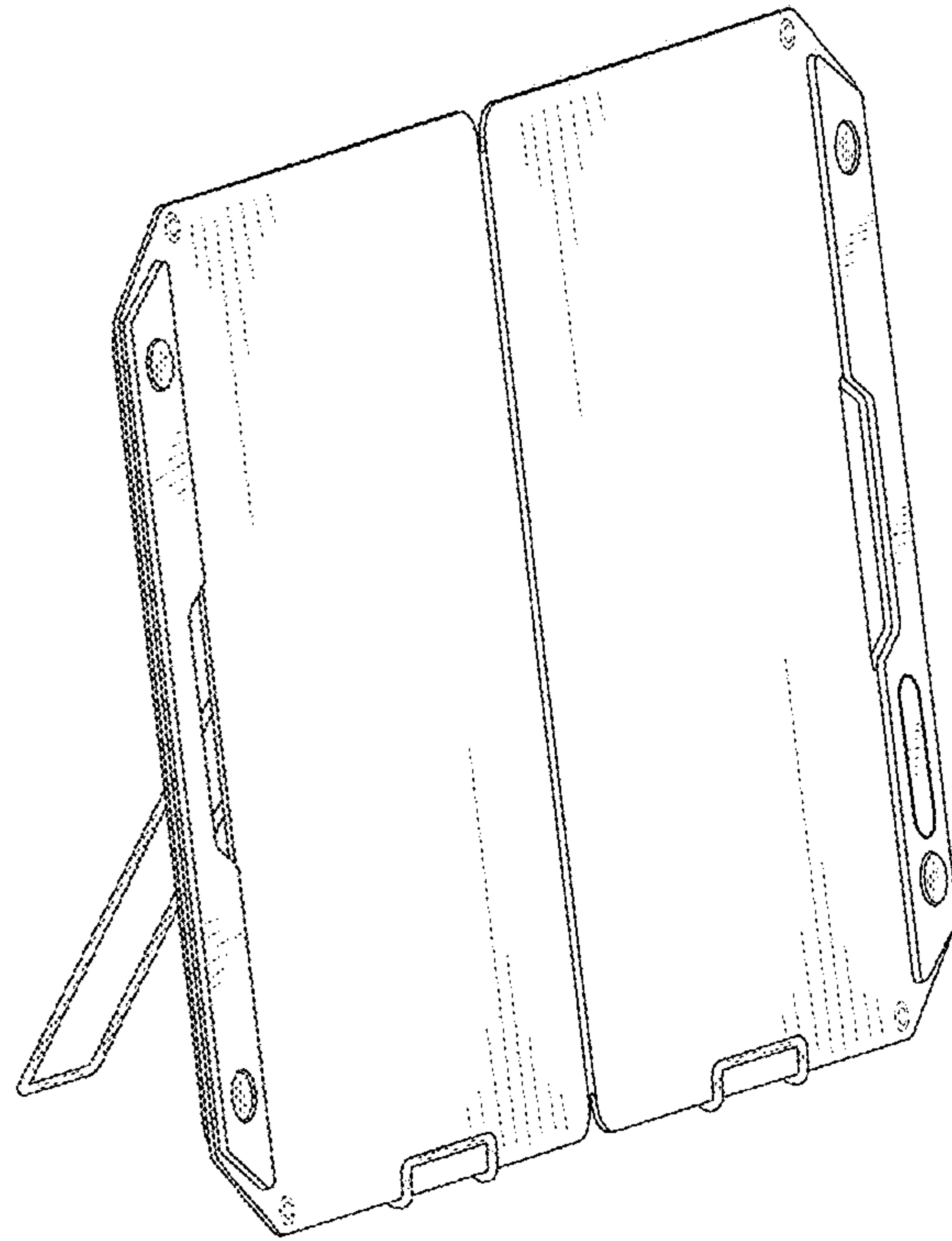


FIG.1

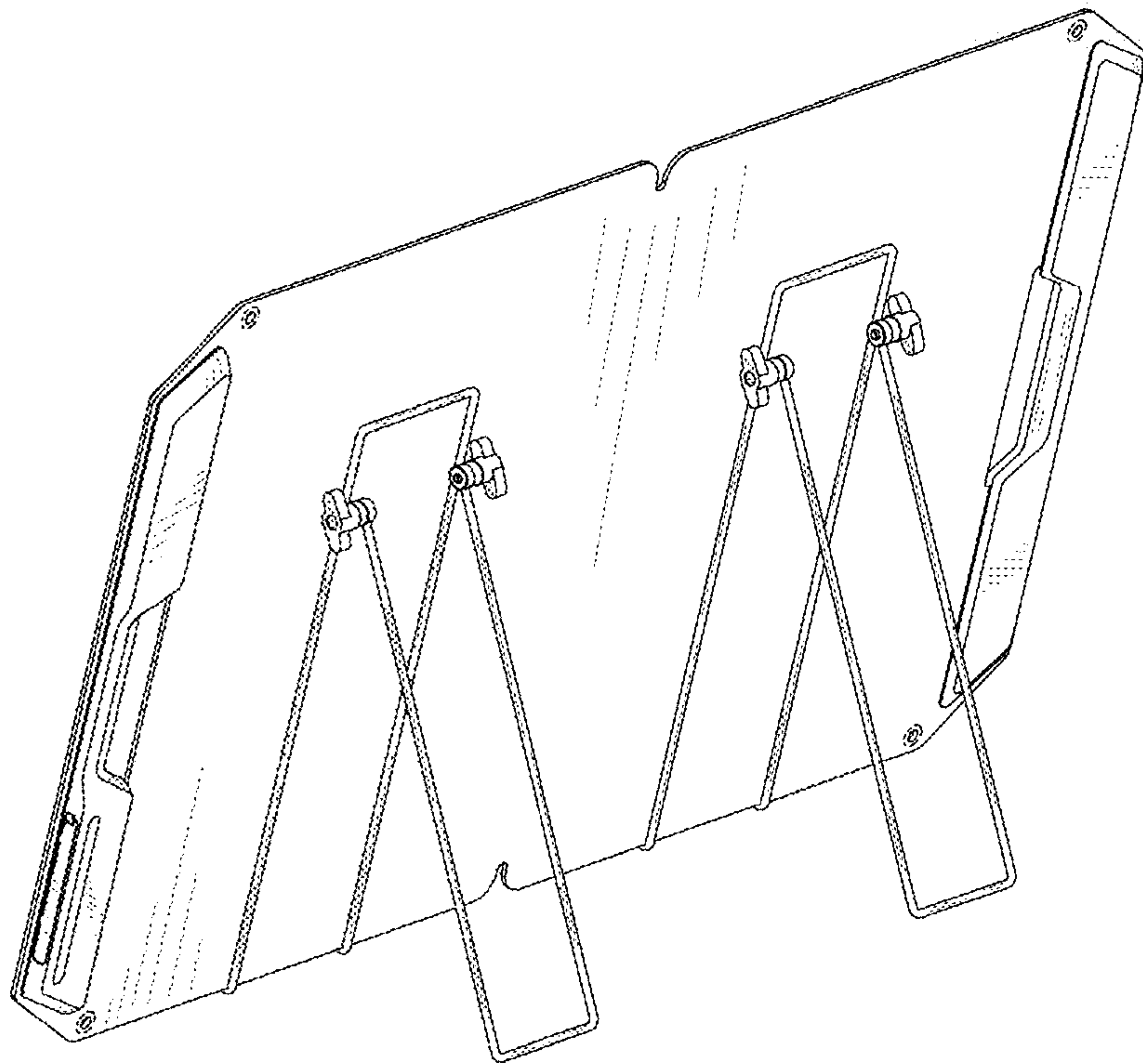


FIG.2

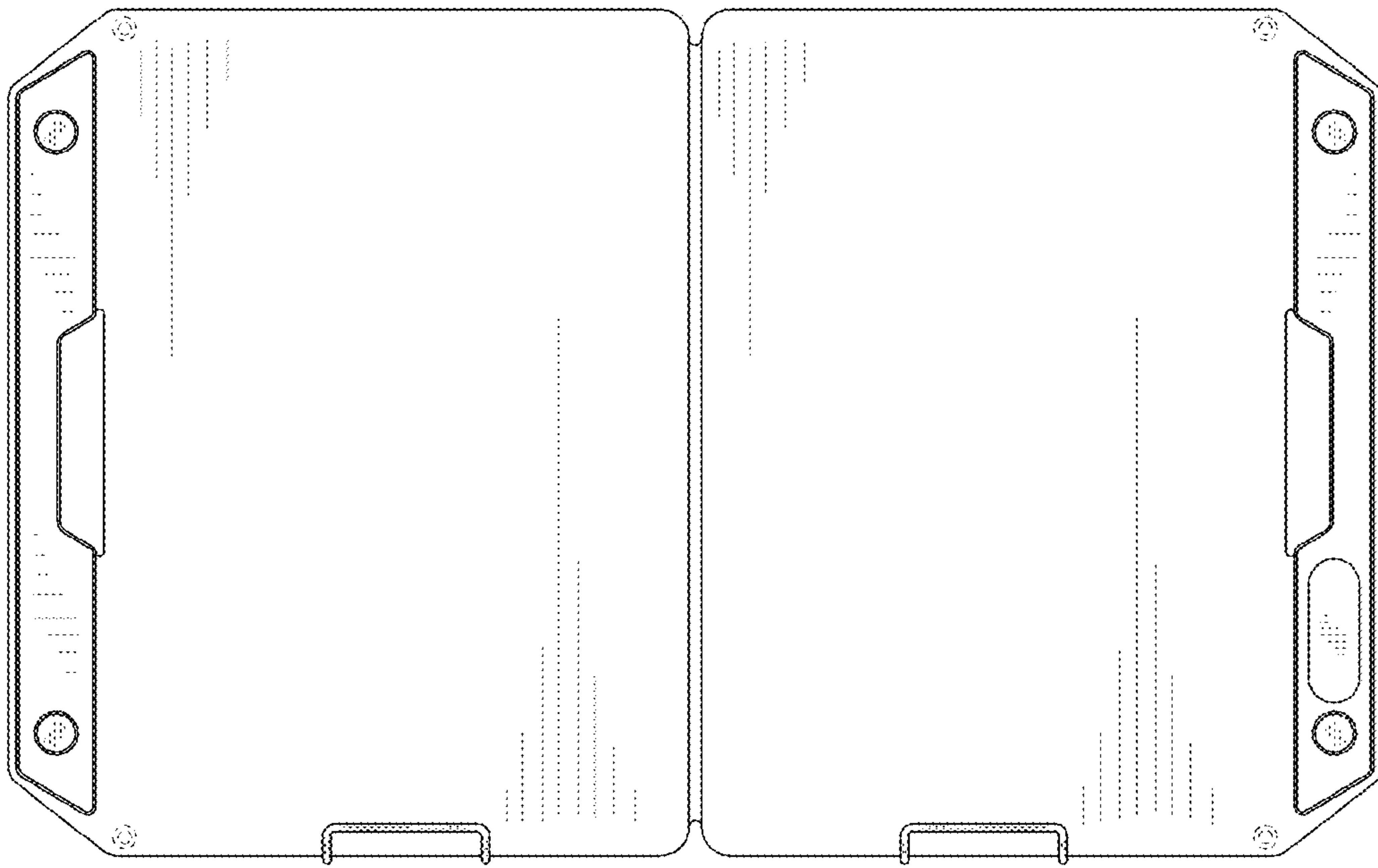


FIG. 3

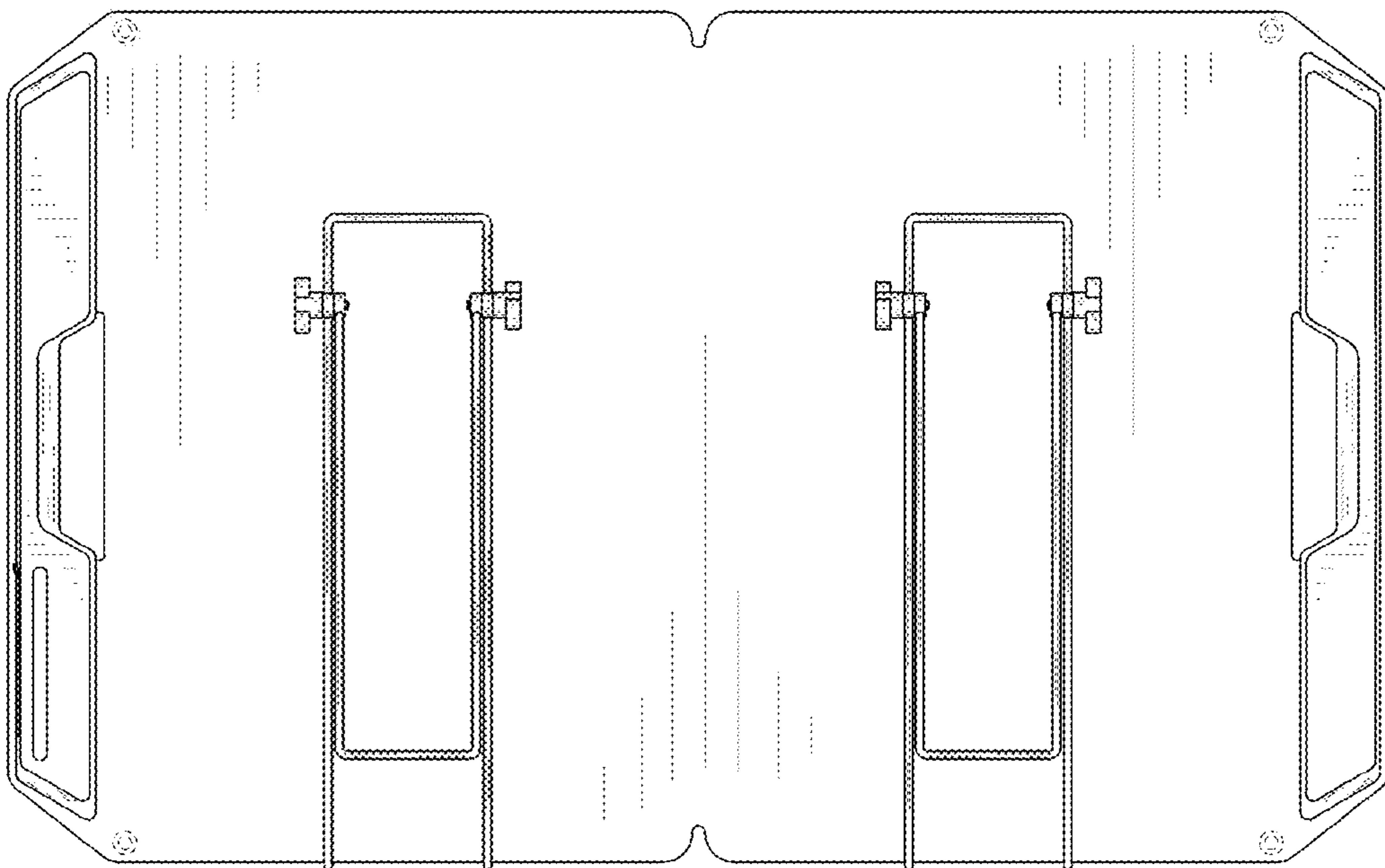


FIG. 4

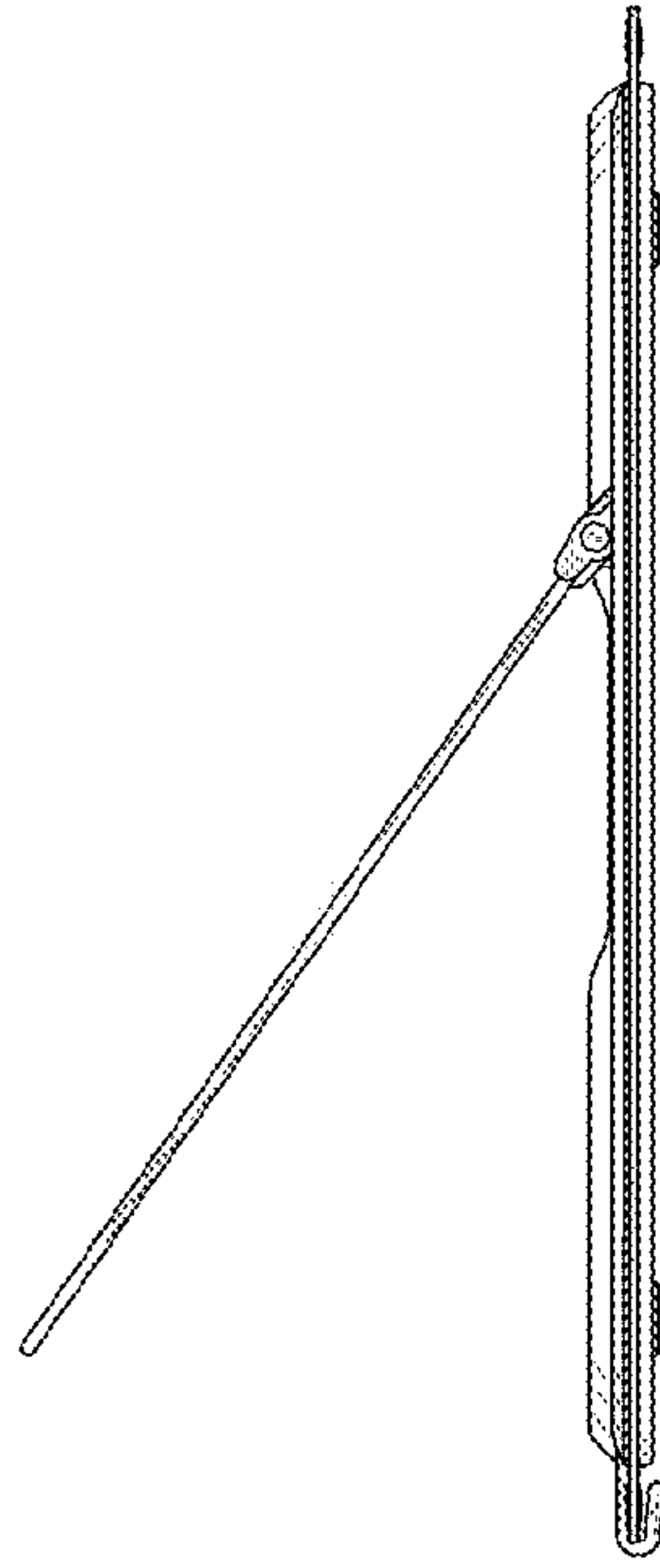


FIG. 5



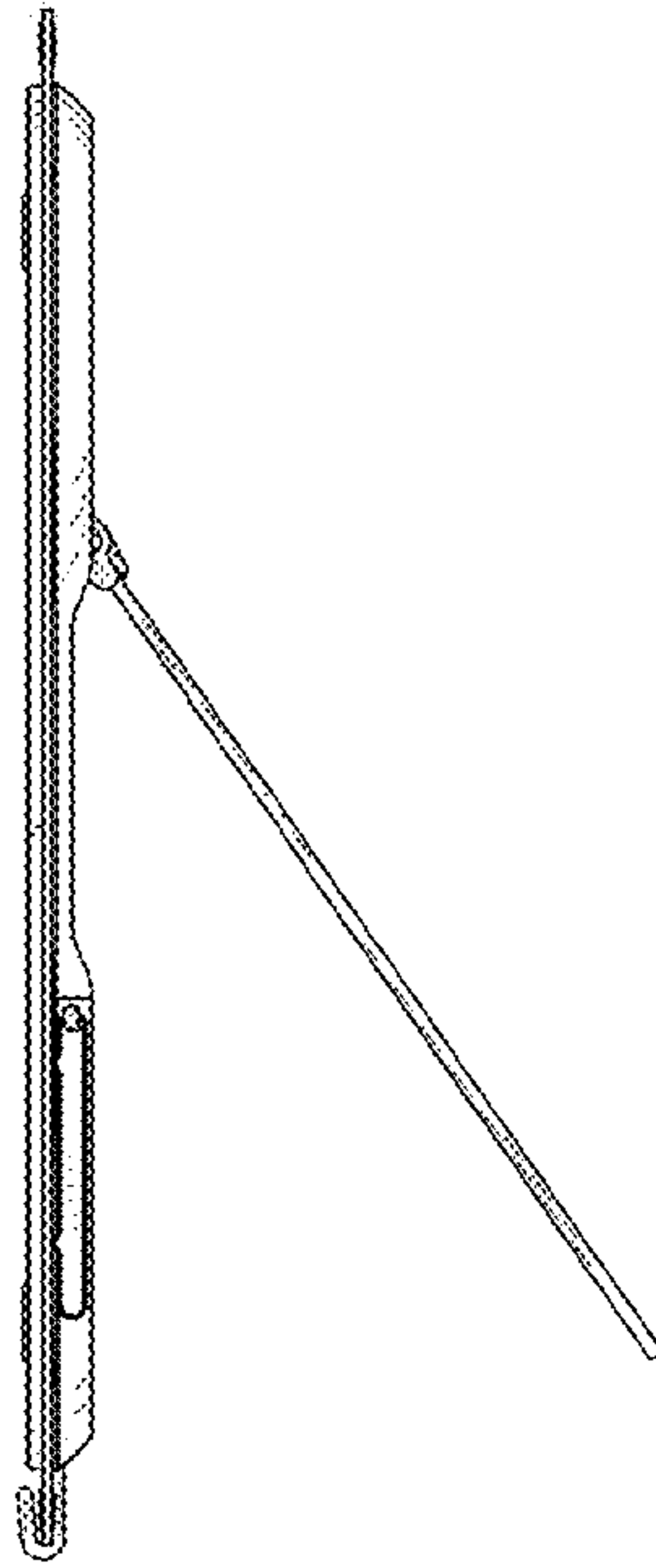


FIG.6

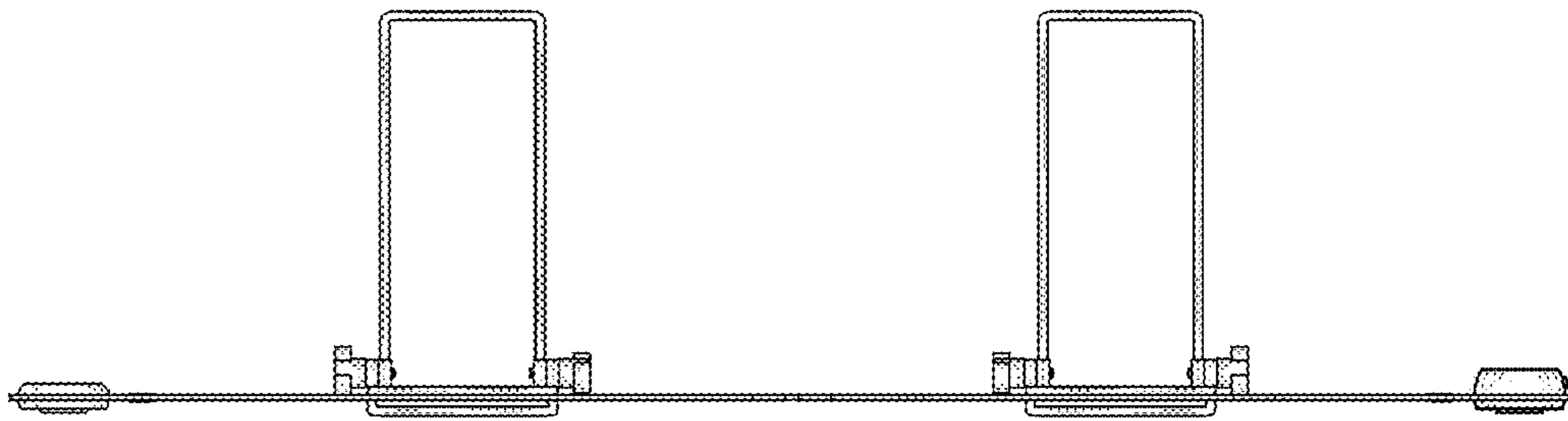


FIG. 7



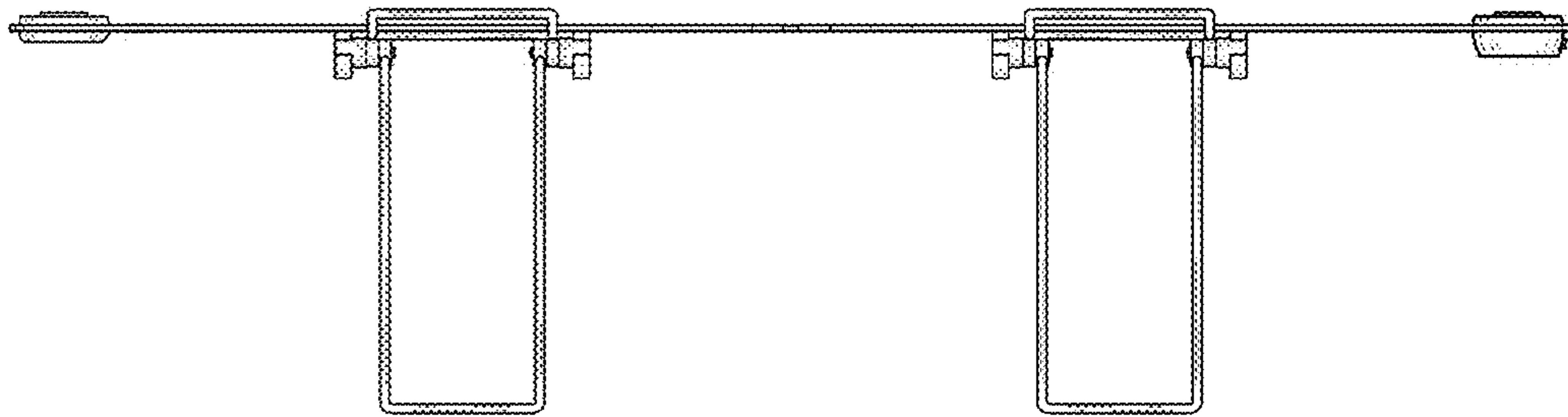


FIG.8

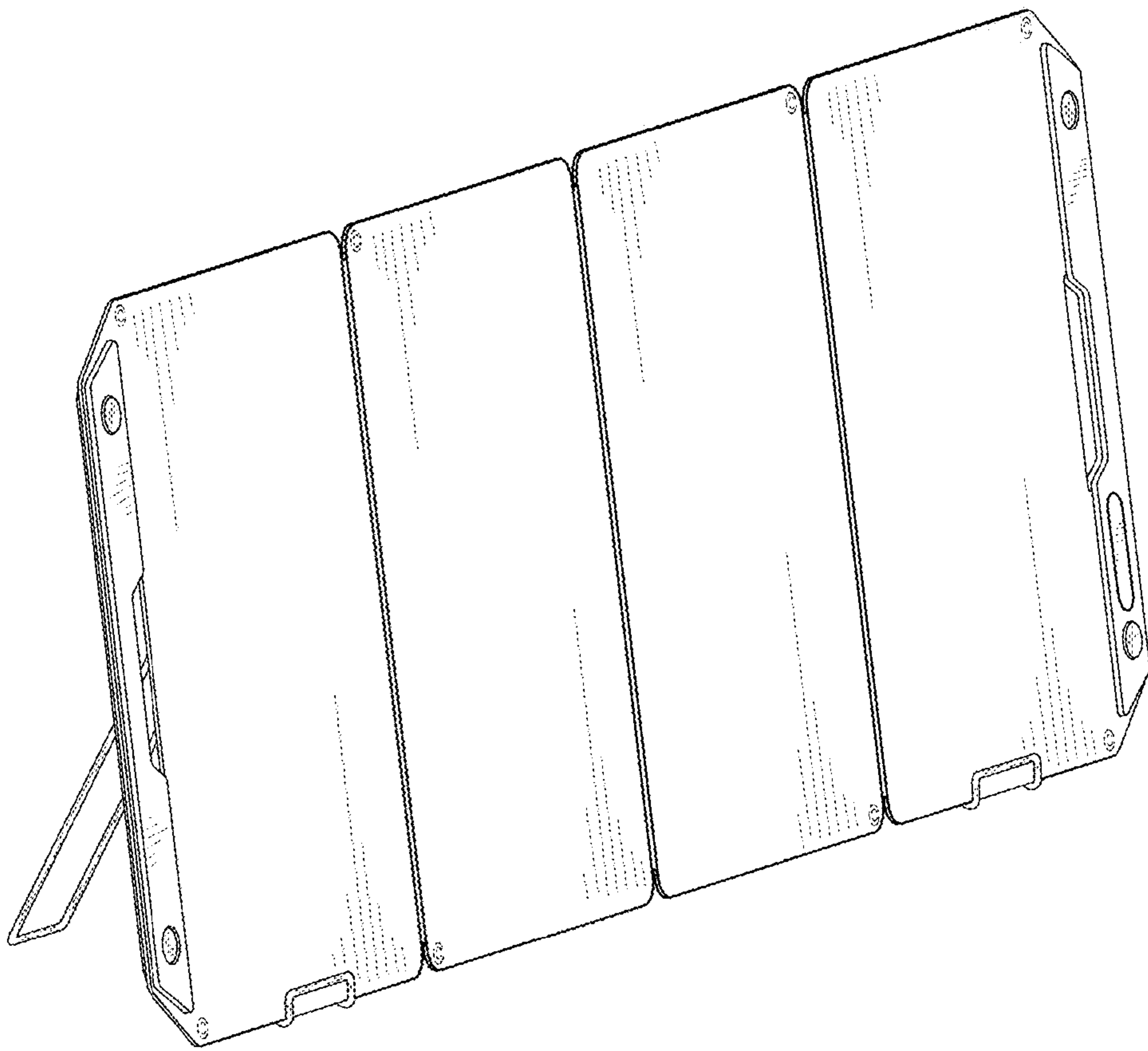


FIG. 9

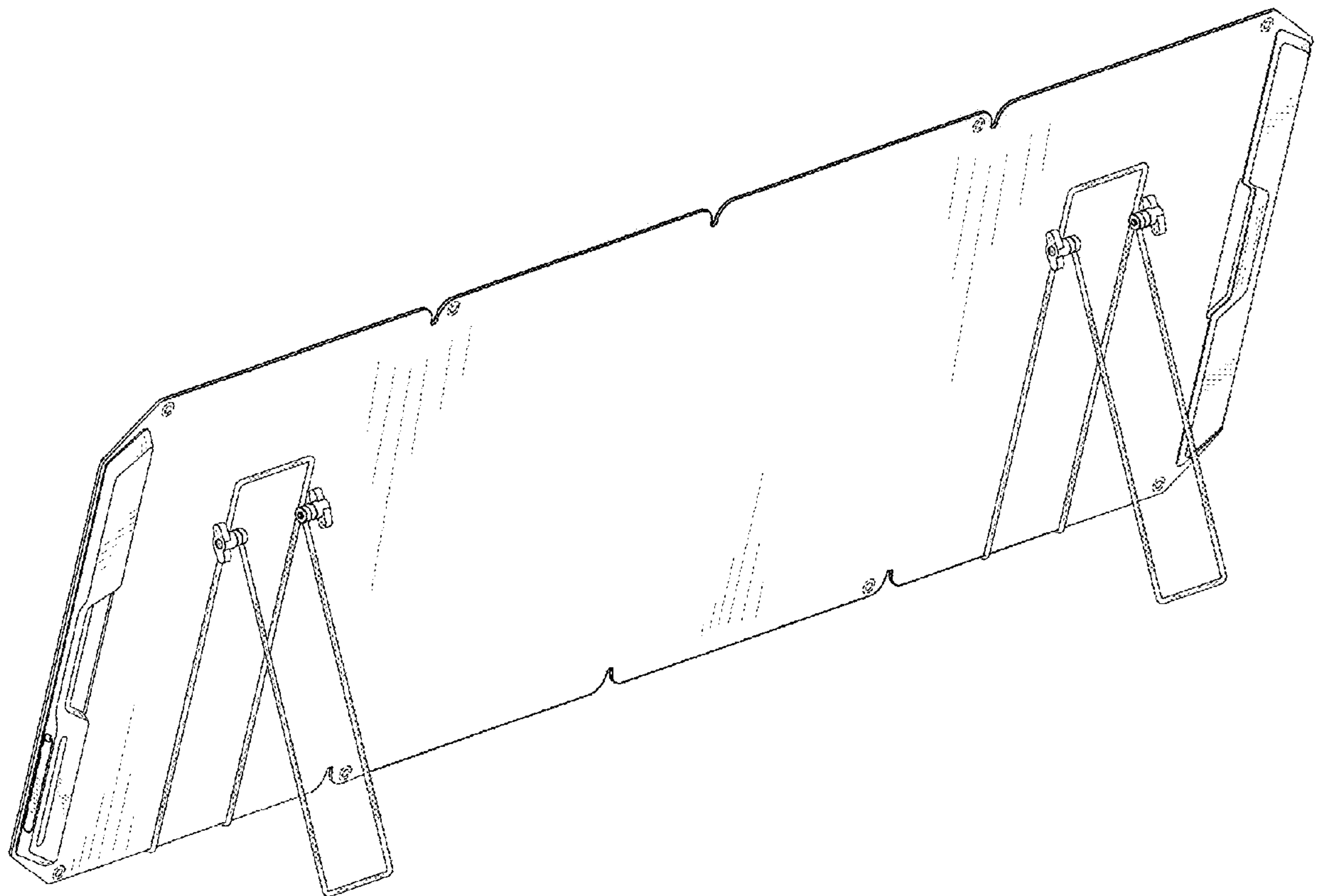


FIG10

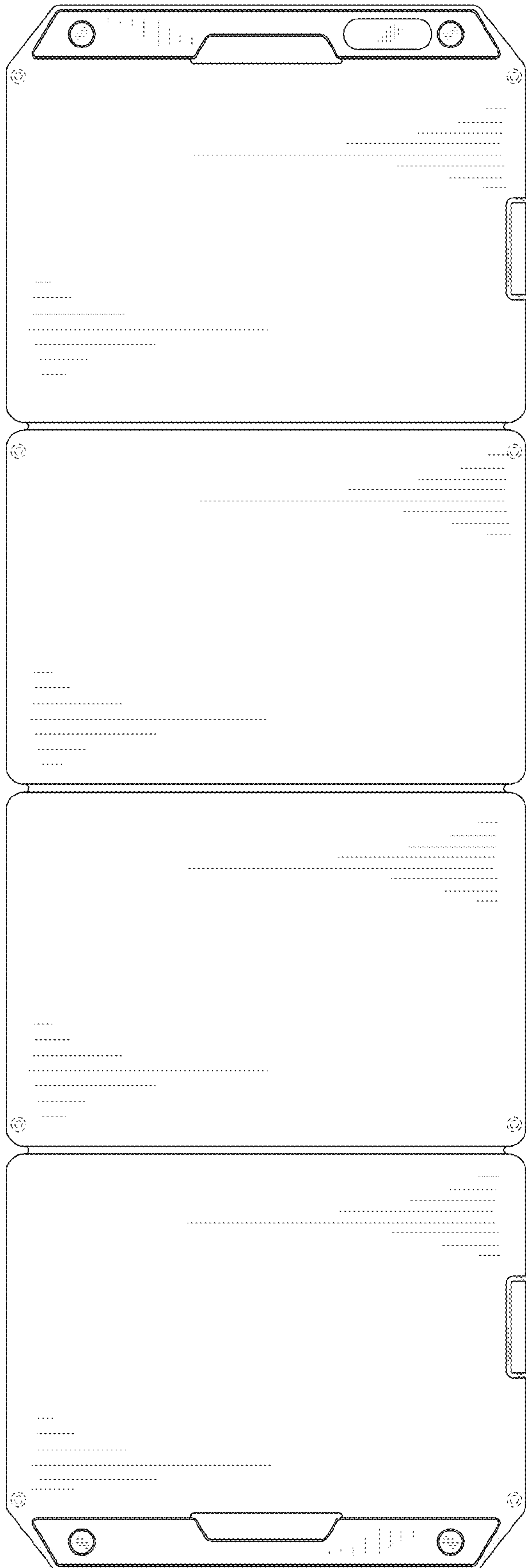


FIG.11

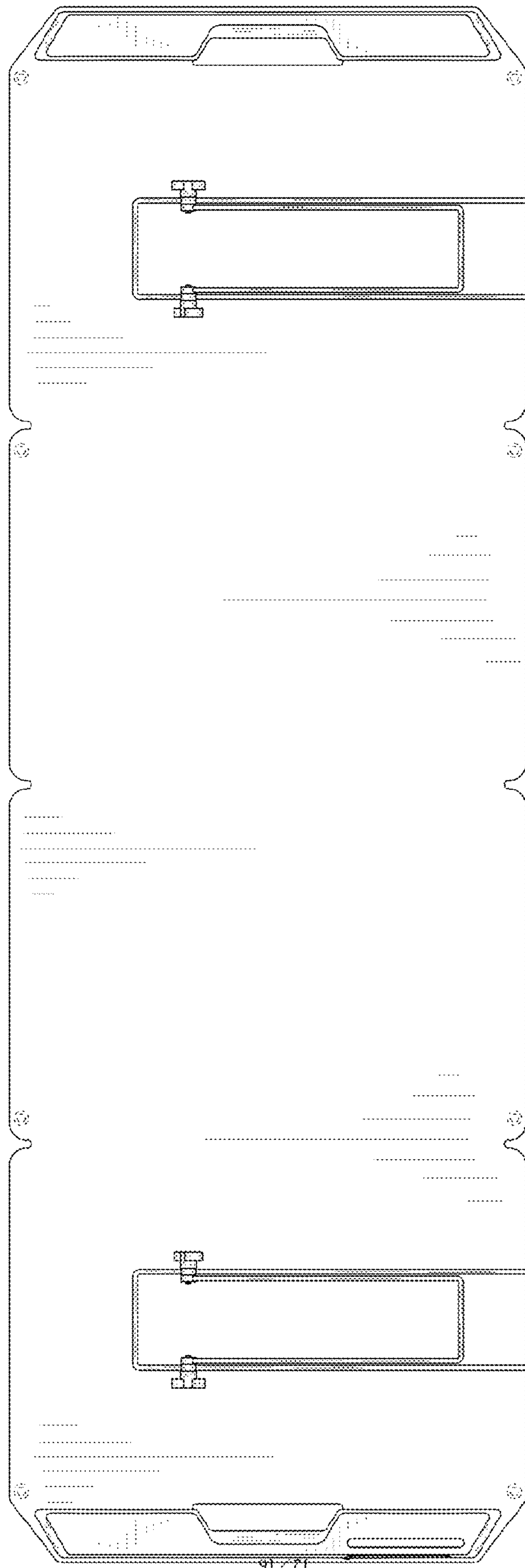


FIG.12

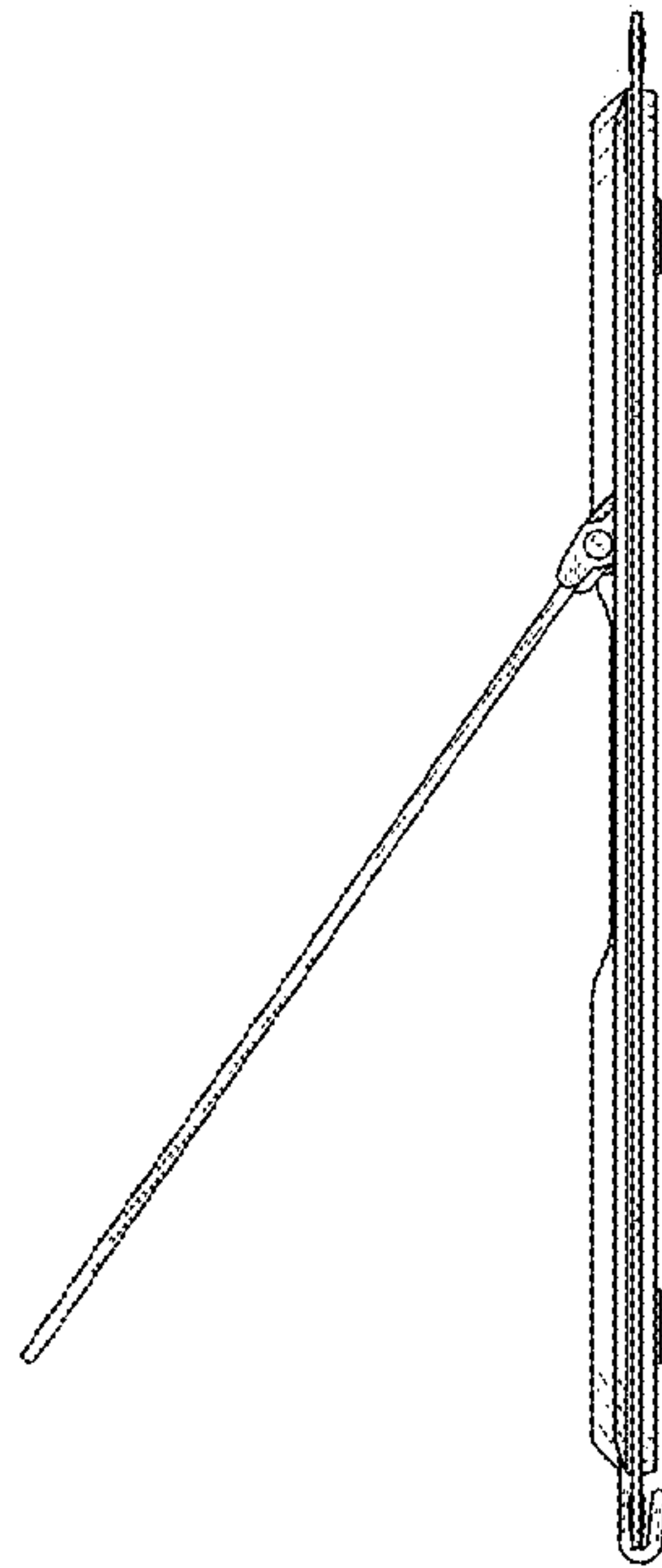


FIG.13

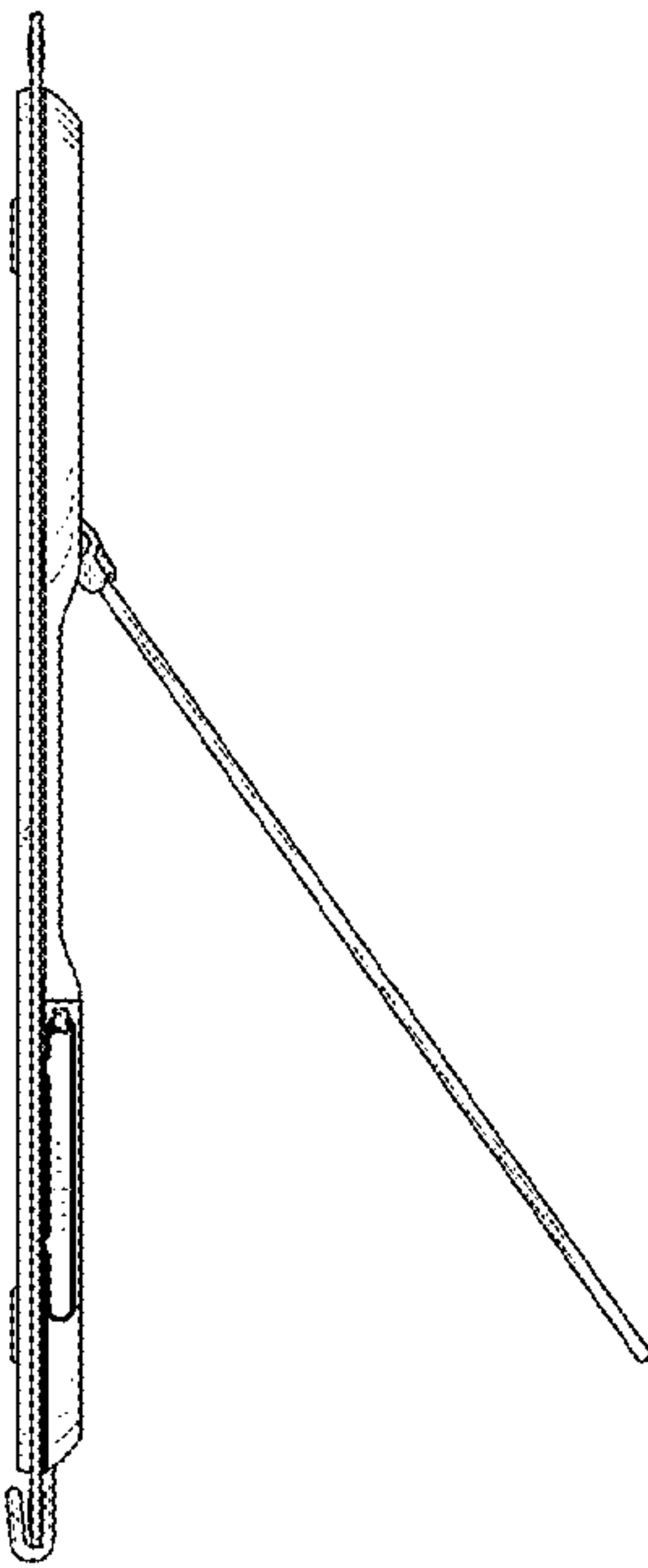


FIG.14



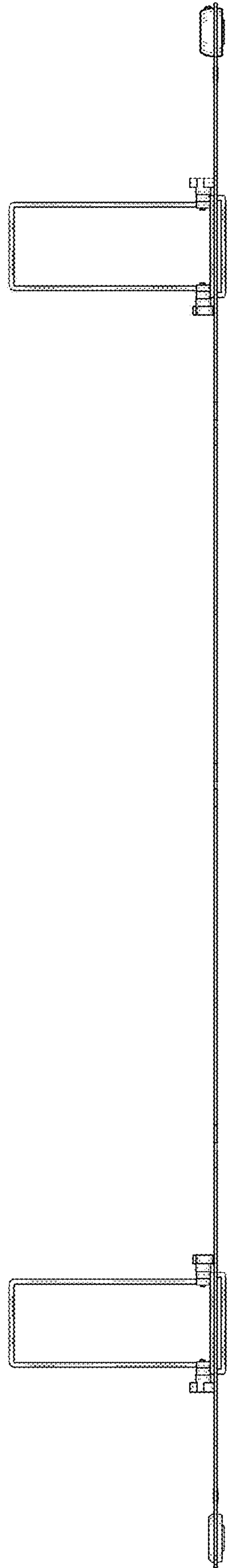


FIG.15

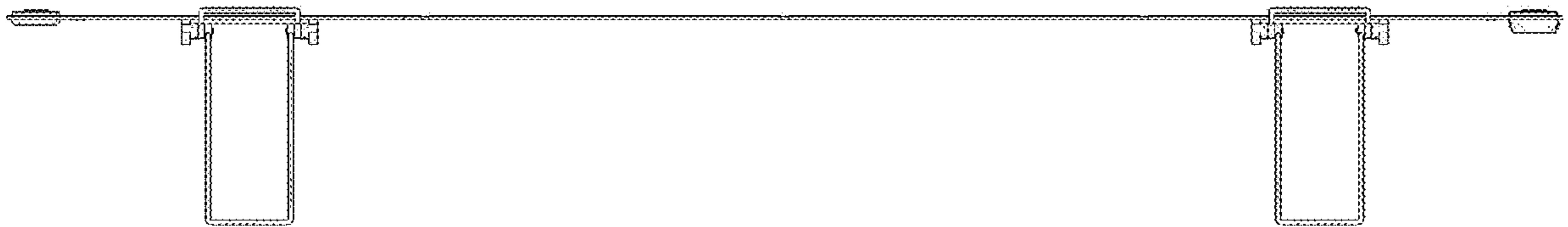


FIG.16