



US00D931791S

(12) **United States Design Patent**  
**Endo**

(10) **Patent No.:** **US D931,791 S**

(45) **Date of Patent:** **\*\* Sep. 28, 2021**

(54) **AUTOMOBILE TIRE**

(71) Applicant: **THE YOKOHAMA RUBBER CO., LTD.**, Tokyo (JP)

(72) Inventor: **Toyoaki Endo**, Hiratsuka (JP)

(73) Assignee: **THE YOKOHAMA RUBBER CO., LTD.**, Tokyo (JP)

(\*\*) Term: **15 Years**

(21) Appl. No.: **29/714,371**

(22) Filed: **Nov. 22, 2019**

(30) **Foreign Application Priority Data**

May 23, 2019 (JP) ..... 2019-011215

(51) **LOC (13) Cl.** ..... **12-15**

(52) **U.S. Cl.**  
USPC ..... **D12/588**

(58) **Field of Classification Search**

USPC ..... D12/568-604, 900

CPC ..... Y10T 152/10027; B60C 1/0016; B60C 11/0306; B60C 11/0302; B60C 3/06; B60C 9/17

See application file for complete search history.

(56) **References Cited**

**U.S. PATENT DOCUMENTS**

D367,025 S *	2/1996	Faulk	.....	D12/588
D588,984 S *	3/2009	Lee	.....	D12/588
D601,950 S *	10/2009	Pressley	.....	D12/588
D609,170 S *	2/2010	Feider	.....	D12/588
D635,916 S *	4/2011	Krier	.....	D12/588
D647,035 S *	10/2011	Brown	.....	D12/588
D647,040 S *	10/2011	Mathonet	.....	D12/588
D682,189 S *	5/2013	Lu	.....	D12/588
D738,294 S *	9/2015	Koog	.....	D12/601

D787,432 S *	5/2017	Hoshiba	.....	D12/588
D795,172 S *	8/2017	Covey	.....	D12/588
D803,148 S *	11/2017	Hayashi	.....	D12/521
D810,006 S *	2/2018	Mayni	.....	D12/588
D815,589 S *	4/2018	Petr	.....	D12/588
D822,586 S *	7/2018	Becker	.....	D12/588
D848,939 S *	5/2019	Marella	.....	D12/604
D856,269 S *	8/2019	Hong	.....	D12/588
D875,659 S *	2/2020	Takemori	.....	D12/588
D880,408 S *	4/2020	Davenport	.....	D12/588
D880,410 S *	4/2020	Yamaoka	.....	D12/588
D892,713 S *	8/2020	Sabetti	.....	D12/521
D908,602 S *	1/2021	Bortolet	.....	D12/588

\* cited by examiner

*Primary Examiner* — John A Voytek

(74) *Attorney, Agent, or Firm* — Banner & Witcoff, Ltd.

(57) **CLAIM**

The ornamental design for an automobile tire, as shown and described.

**DESCRIPTION**

FIG. 1 is a perspective view of an automobile tire showing my design;

FIG. 2 is a front view thereof;

FIG. 3 is a rear view thereof;

FIG. 4 is a right side view thereof;

FIG. 5 is a left side view thereof;

FIG. 6 is a top view thereof;

FIG. 7 is a bottom view thereof;

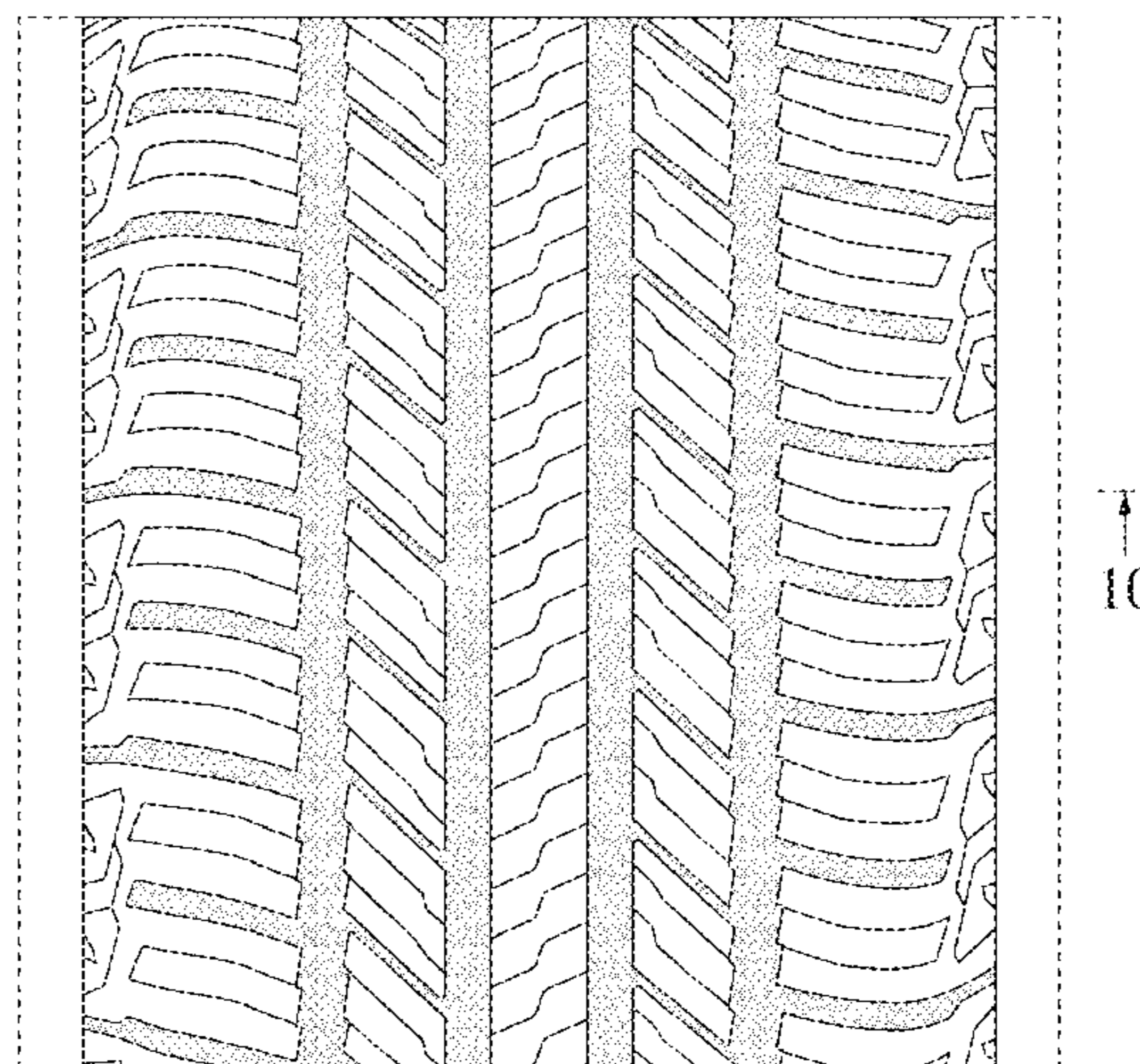
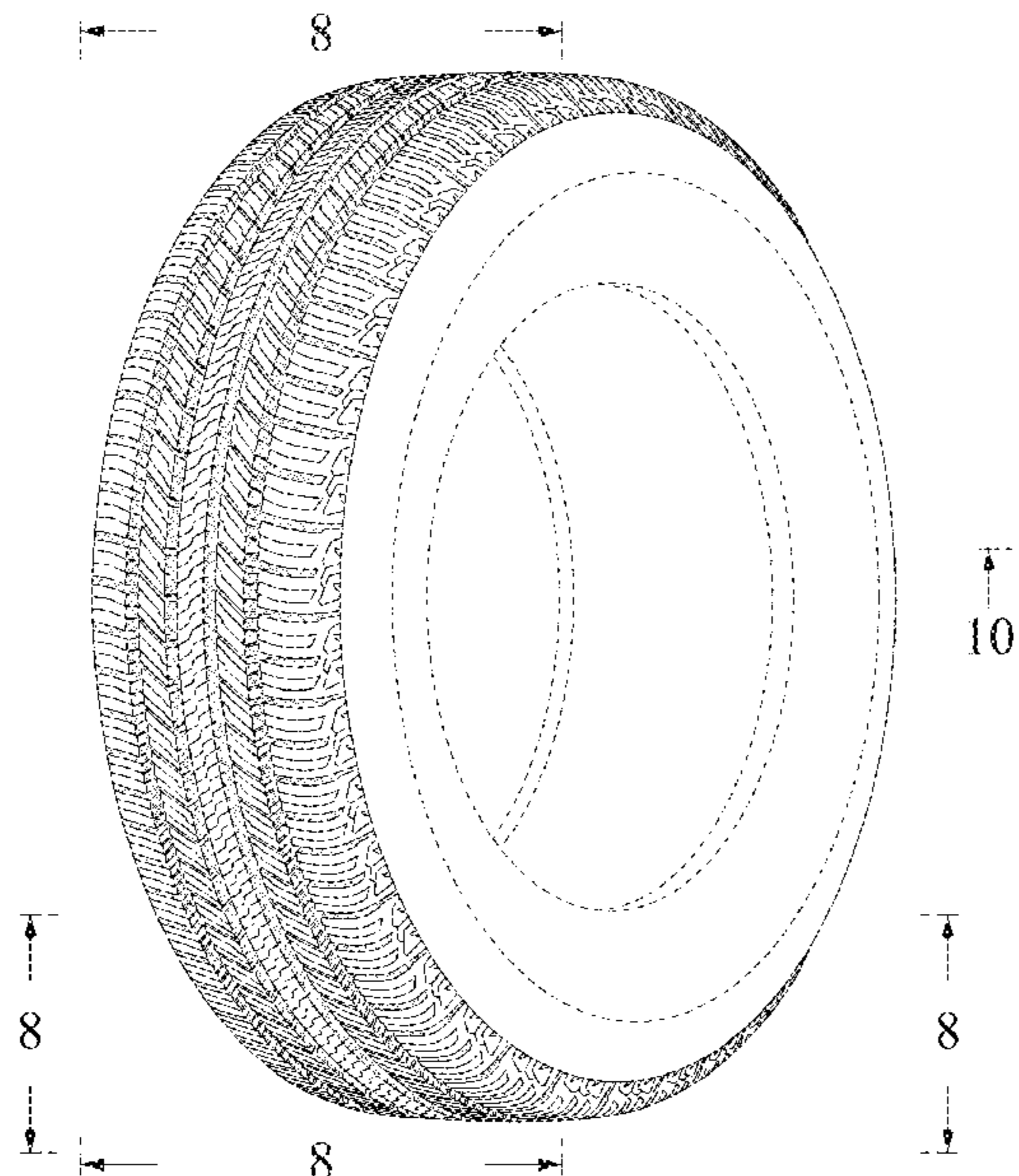
FIG. 8 is a partially enlarged view of a portion defined by lines 8-8 shown in FIG. 1;

FIG. 9 is a partially enlarged view of a portion defined by lines 9-9 shown in FIG. 2; and,

FIG. 10 is a cross sectional view of a portion defined by lines 10-10 shown in FIG. 9.

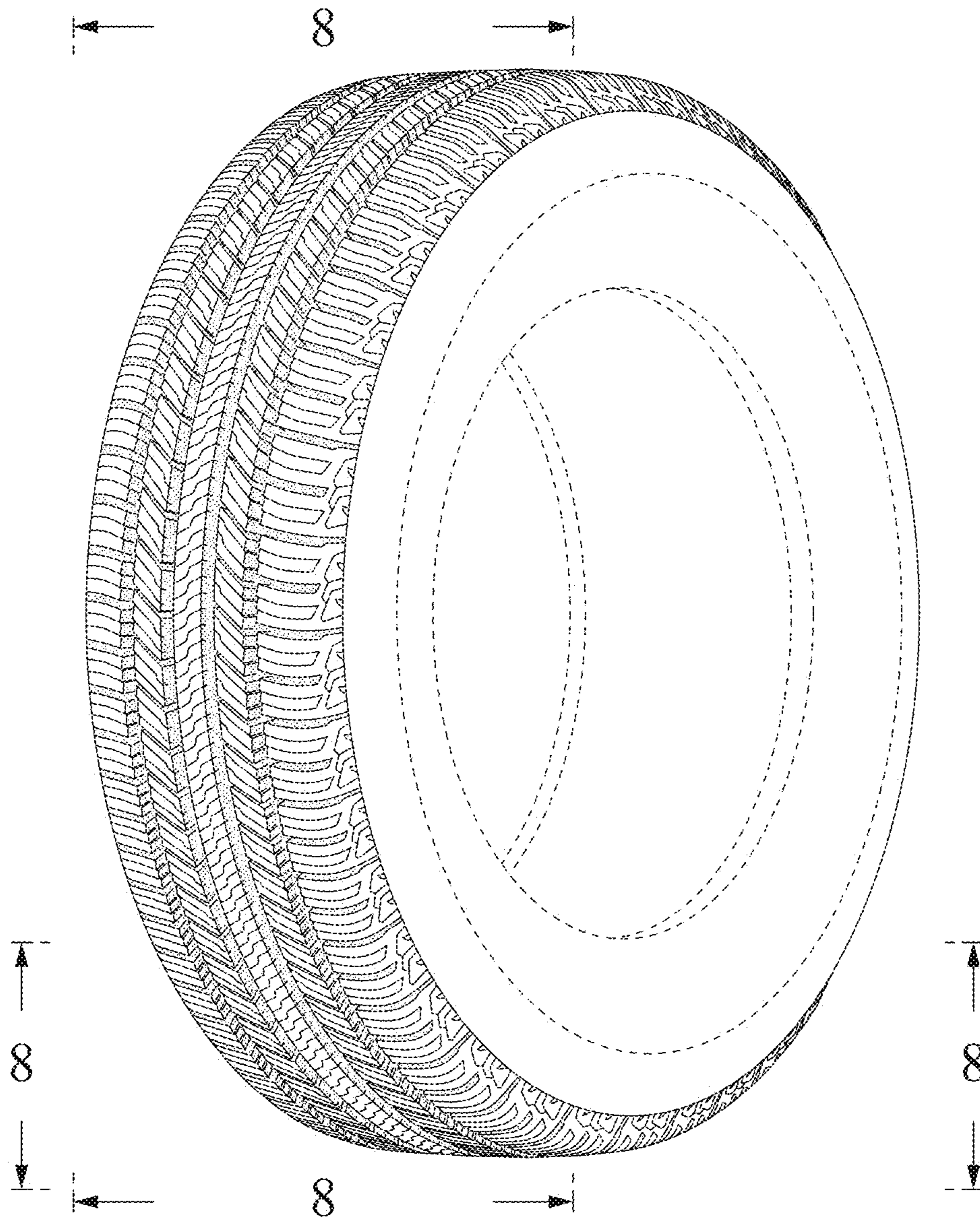
In the drawings, the broken lines depict environmental subject matter only and form no part of the claimed design.

**1 Claim, 10 Drawing Sheets**

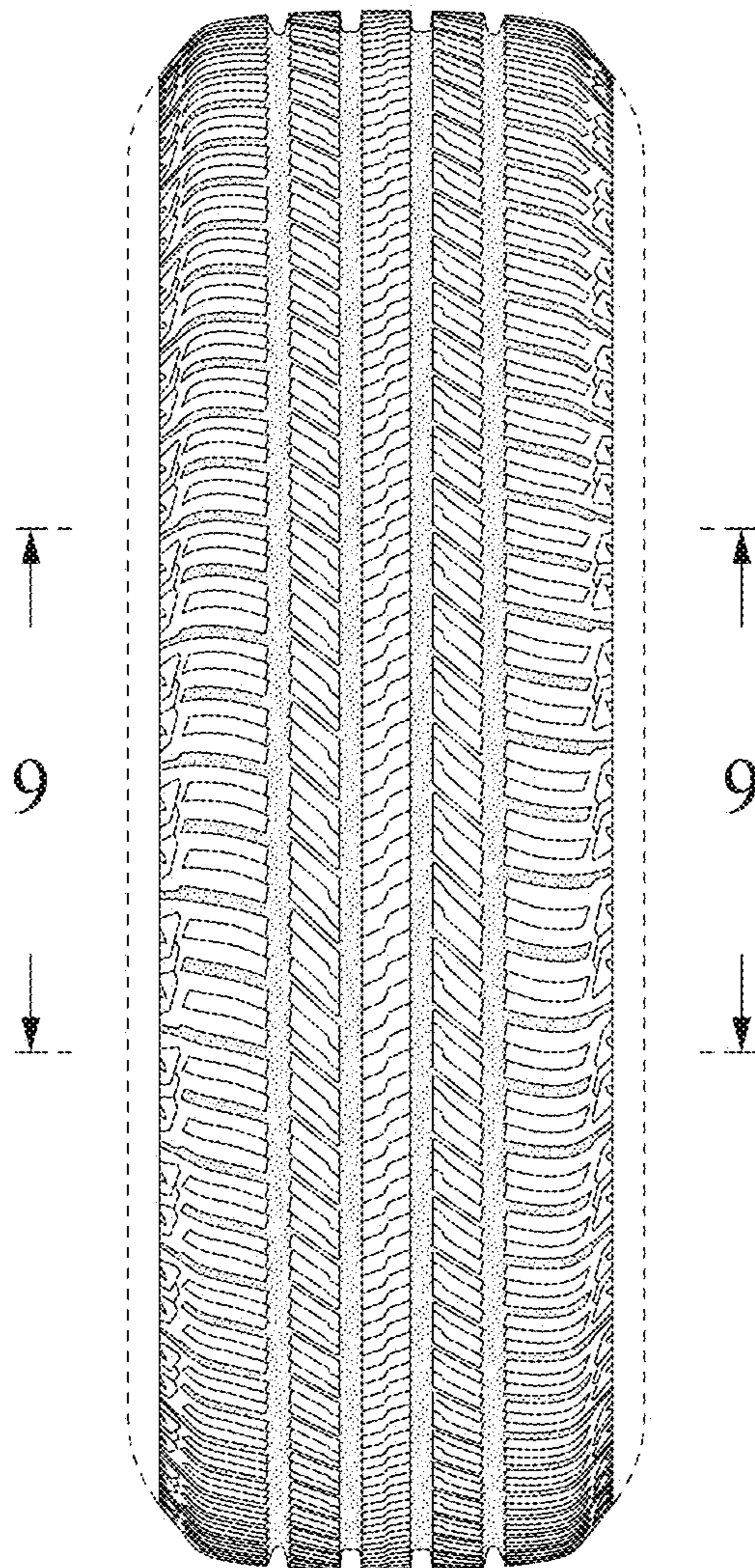




**FIG. 1**

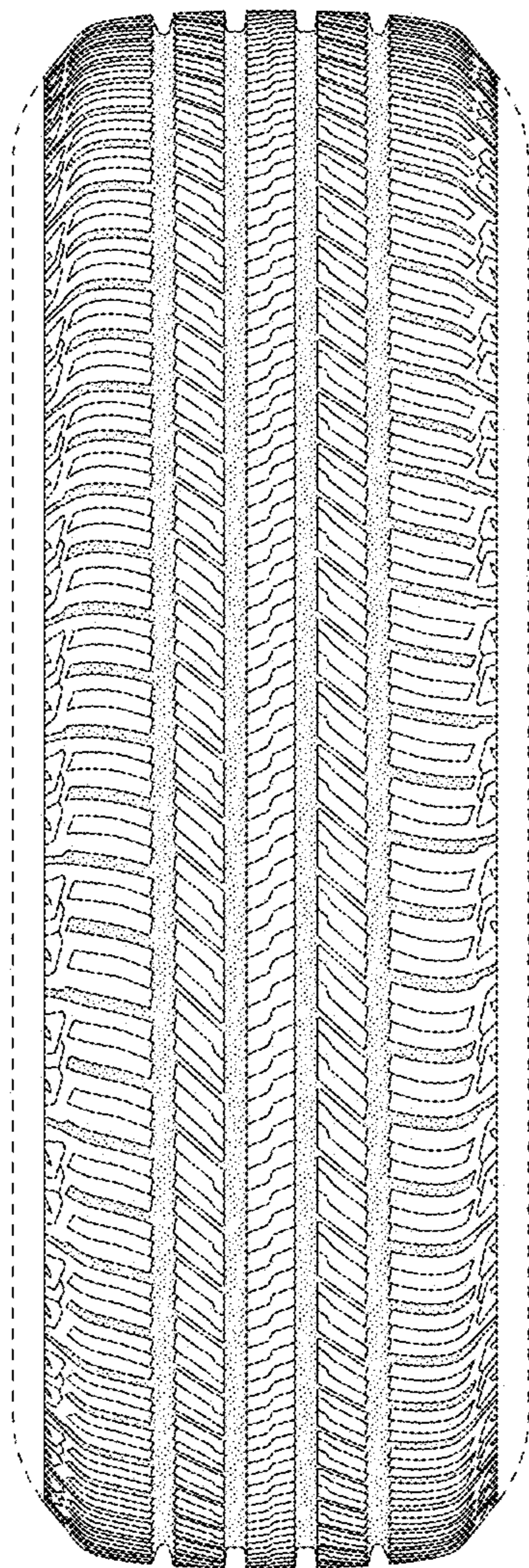


**FIG. 2**

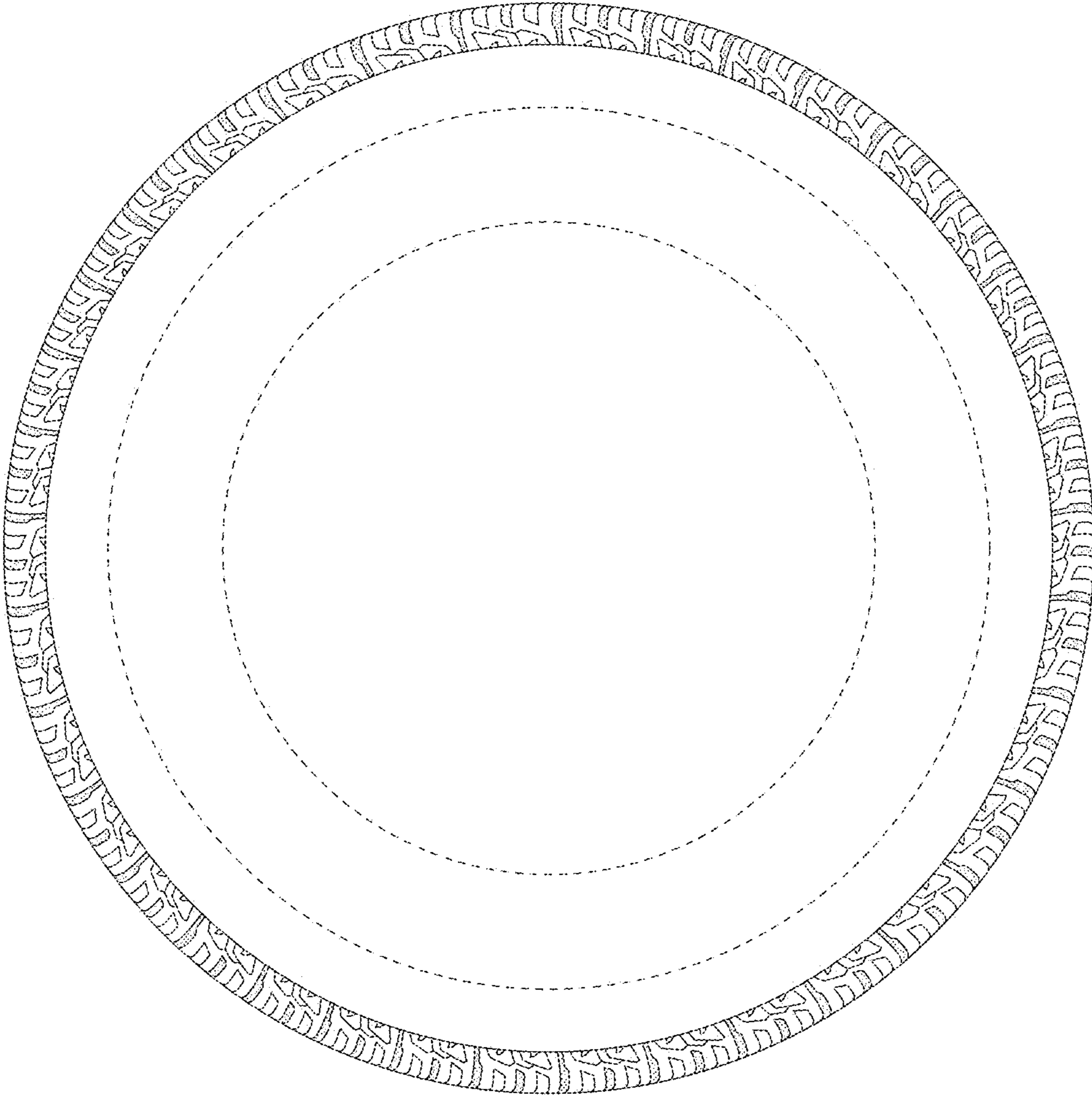




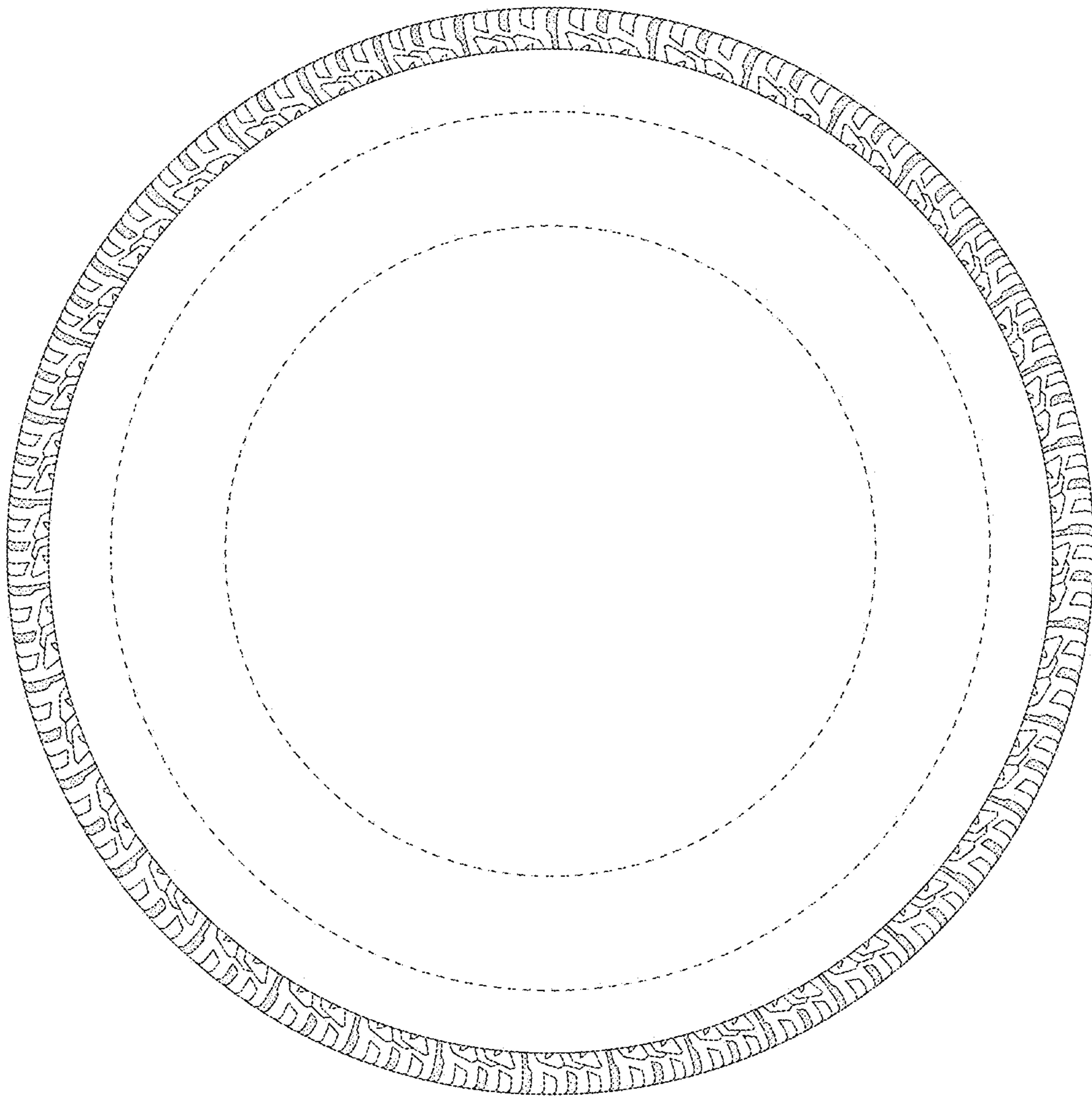
**FIG. 3**



**FIG. 4**

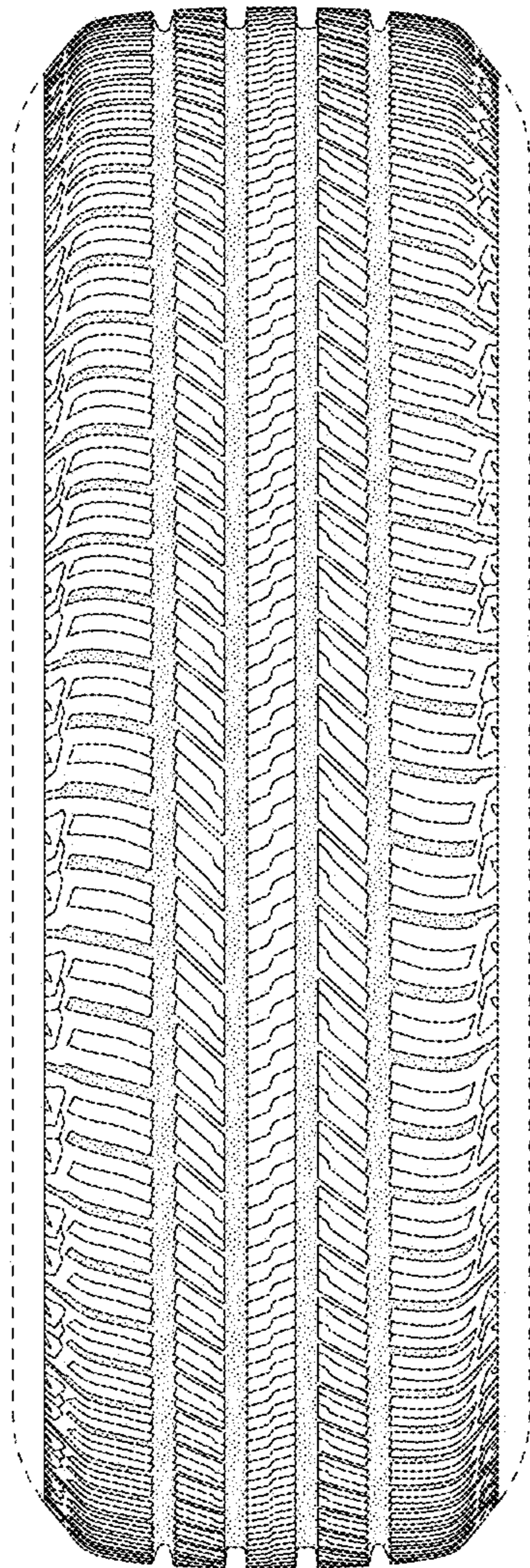


**FIG. 5**

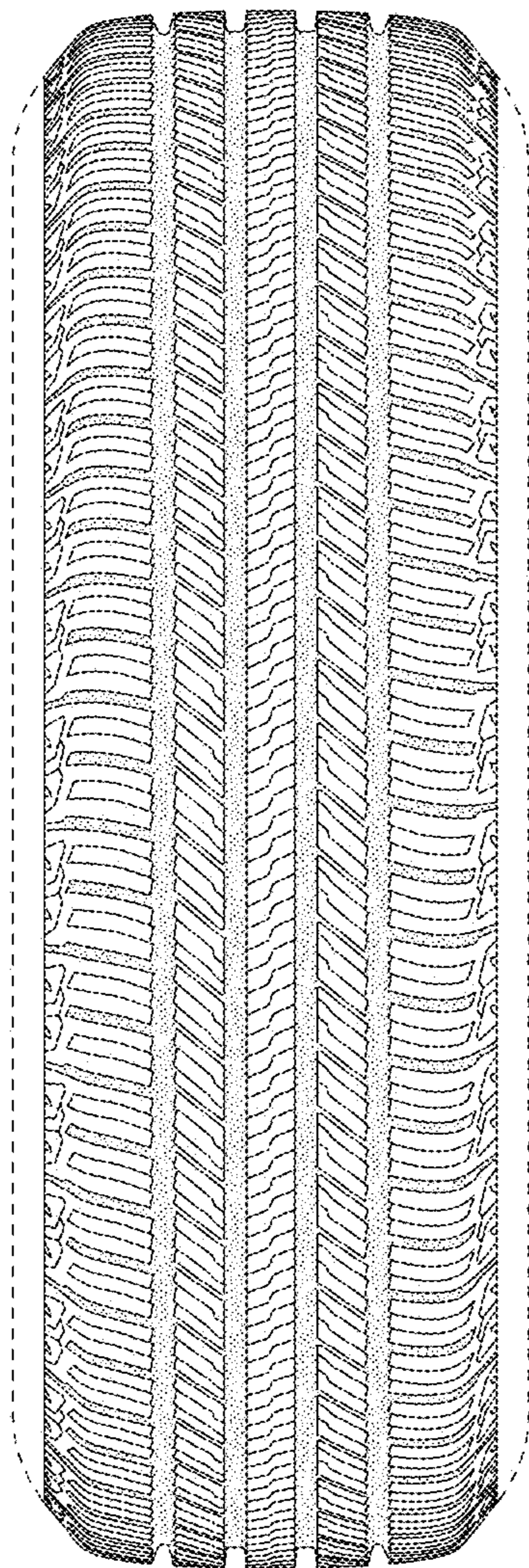




**FIG. 6**



**FIG. 7**





**FIG. 8**

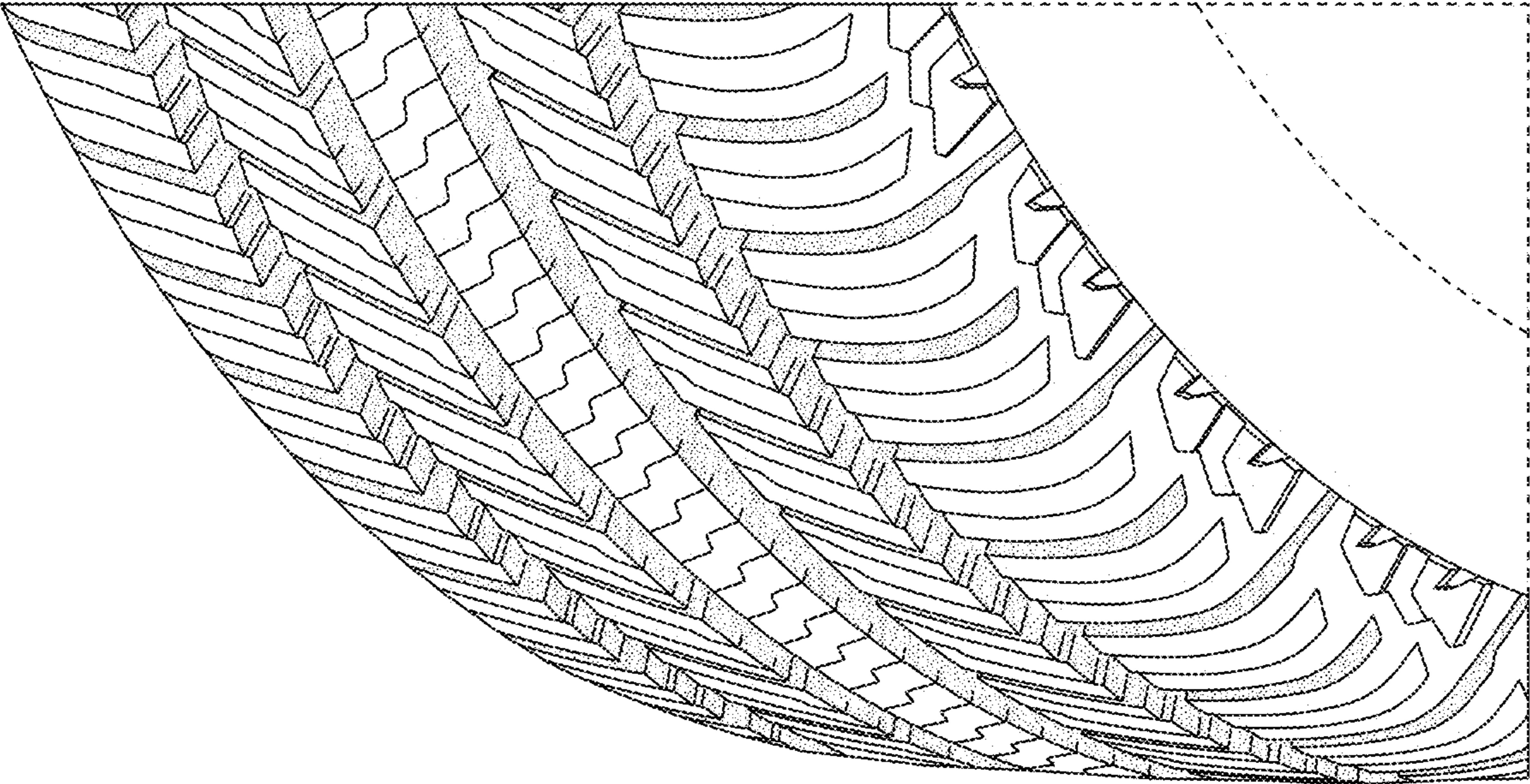
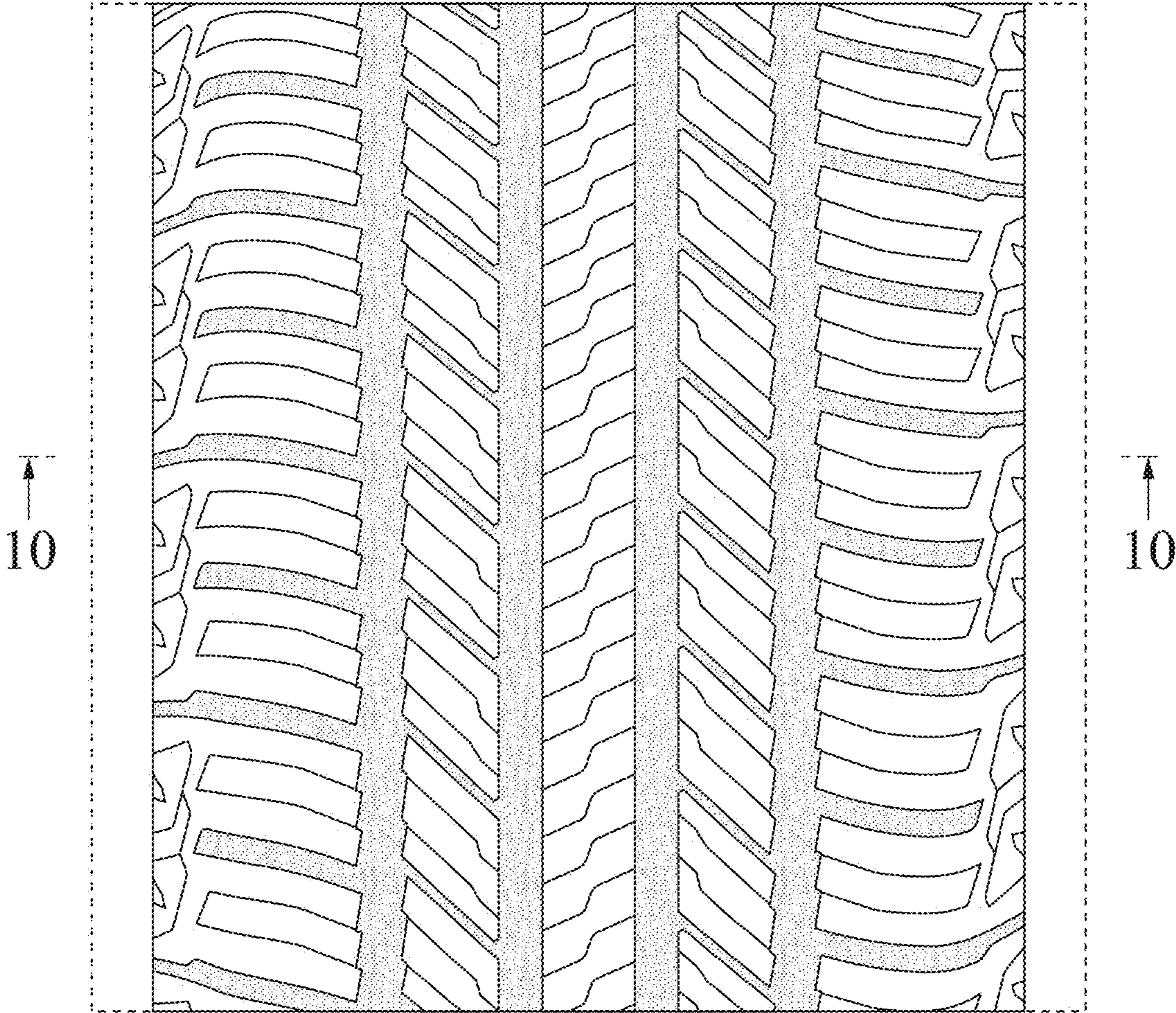


FIG. 9





**FIG. 10**

