



US00D931790S

(12) **United States Design Patent**
Yang et al.

(10) **Patent No.:** **US D931,790 S**

(45) **Date of Patent:** **** Sep. 28, 2021**

(54) **TIRE**

(71) Applicant: **PRINX CHENGSHAN (QINGDAO) INDUSTRIAL RESEARCH AND DESIGN CO., LTD.**, Qingdao (CN)

(72) Inventors: **Jiaojiao Yang**, Qingdao (CN); **Ran Wang**, Qingdao (CN)

(73) Assignee: **PRINX CHENGSHAN (QINGDAO) INDUSTRIAL RESEARCH AND DESIGN CO., LTD.**, Qingdao (CN)

(**) Term: **15 Years**

(21) Appl. No.: **29/711,271**

(22) Filed: **Oct. 30, 2019**

(51) **LOC (13) Cl.** **12-15**

(52) **U.S. Cl.**
USPC **D12/588**

(58) **Field of Classification Search**
USPC D12/568–604, 900
CPC Y10T 152/10027; B60C 1/0016; B60C 11/0306; B60C 11/0302; B60C 3/06; B60C 9/17
See application file for complete search history.

(56) **References Cited**

U.S. PATENT DOCUMENTS

D457,856 S *	5/2002	Ochi	D12/600
D602,854 S *	10/2009	Hausz	D12/603
D606,482 S *	12/2009	Lundgren	D12/532
D624,489 S *	9/2010	Fujita	D12/600

D666,555 S *	9/2012	Takano	D12/585
D670,236 S *	11/2012	Drake	D12/600
D684,107 S *	6/2013	Lamb	D12/588
9,636,953 B2 *	5/2017	Takano	B60C 11/0306
D845,886 S *	4/2019	Shondel	D12/579
D861,581 S *	10/2019	Roth	D12/579
D907,568 S *	1/2021	Ishigaki	D12/579
2006/0162831 A1 *	7/2006	Ishida	B60C 11/0302 152/209.18

* cited by examiner

Primary Examiner — John A Voytek

(74) *Attorney, Agent, or Firm* — Bayramoglu Law Offices LLC

(57) **CLAIM**

The ornamental design for a tire, as shown and described.

DESCRIPTION

FIG. 1 is a perspective view of a tire, showing our new design;

FIG. 2 is a front view thereof;

FIG. 3 is a left side view thereof; and,

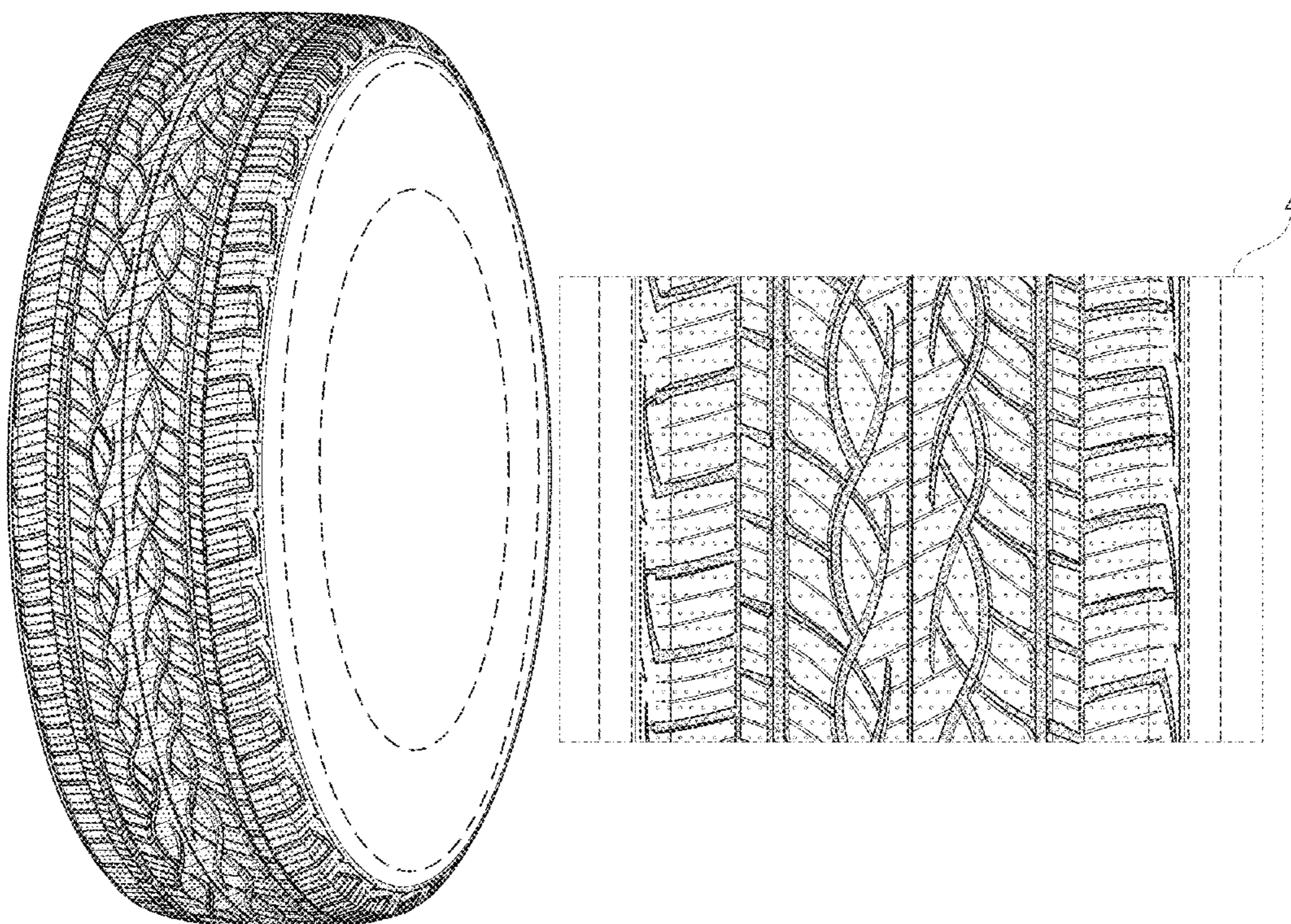
FIG. 4 is a partial enlarged view of the indicated area “4” in FIG. 2.

According to the present invention, a rear view is a mirror image of a front view thereof, and a right side view is identical to a left side view. The broken lines depict portions of the tire in which the design is embodied that form no part of the claimed design.

The dot-dash broken lines indicating an enlargement portion of the design form no part of the claimed design.

The stippling shading on the surfaces of the tire is for the purpose of indicating the depth and contours of the tire.

1 Claim, 4 Drawing Sheets



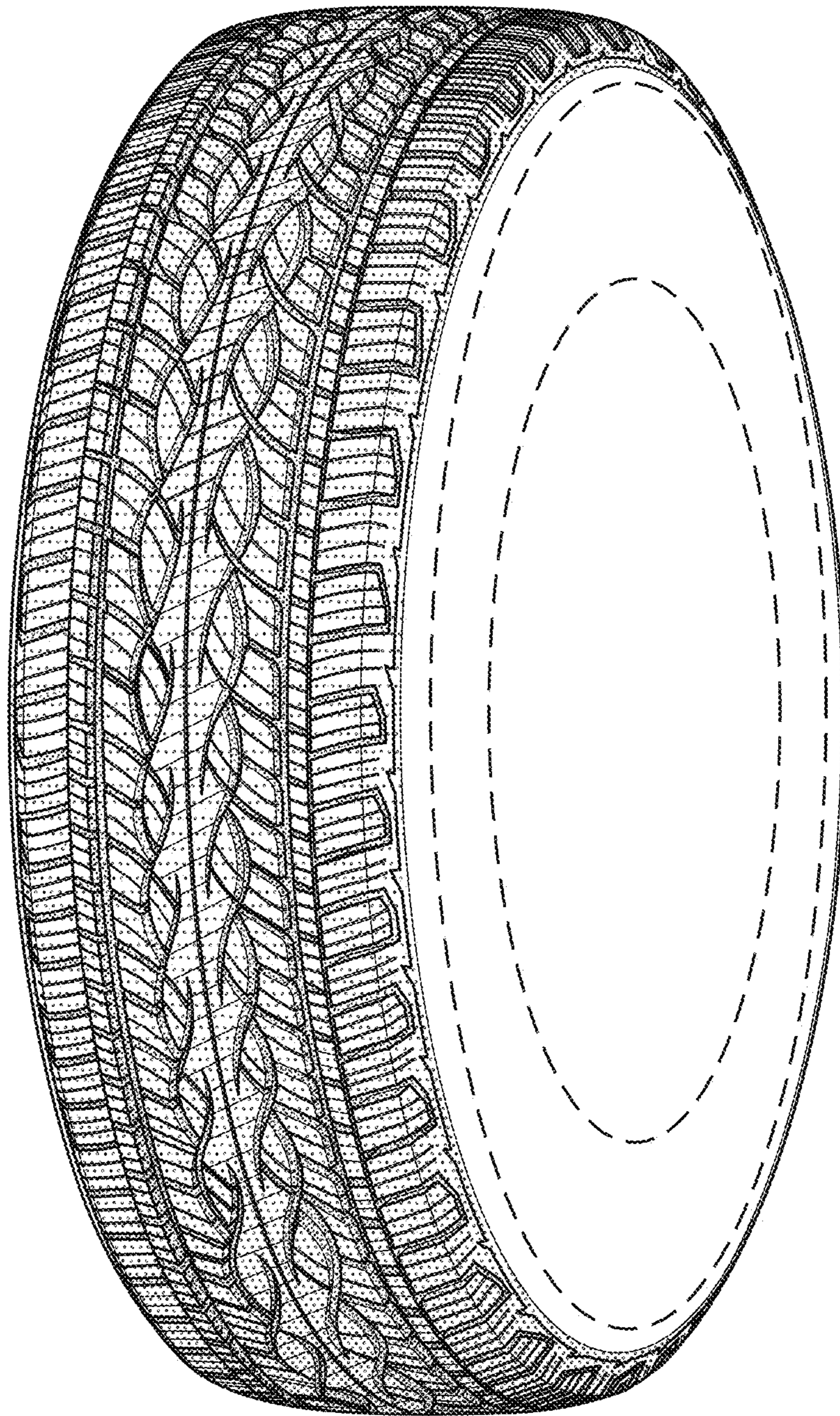


Fig. 1

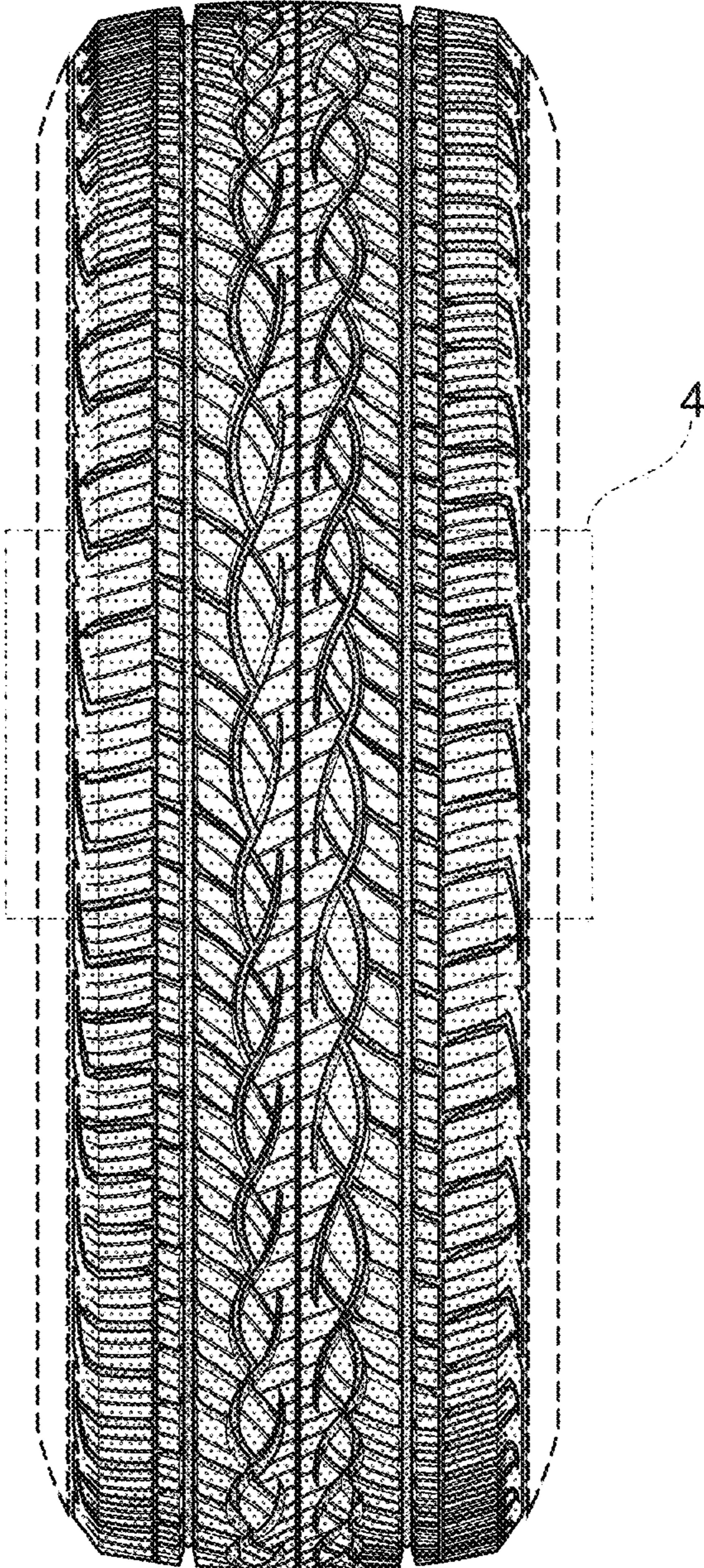


Fig. 2

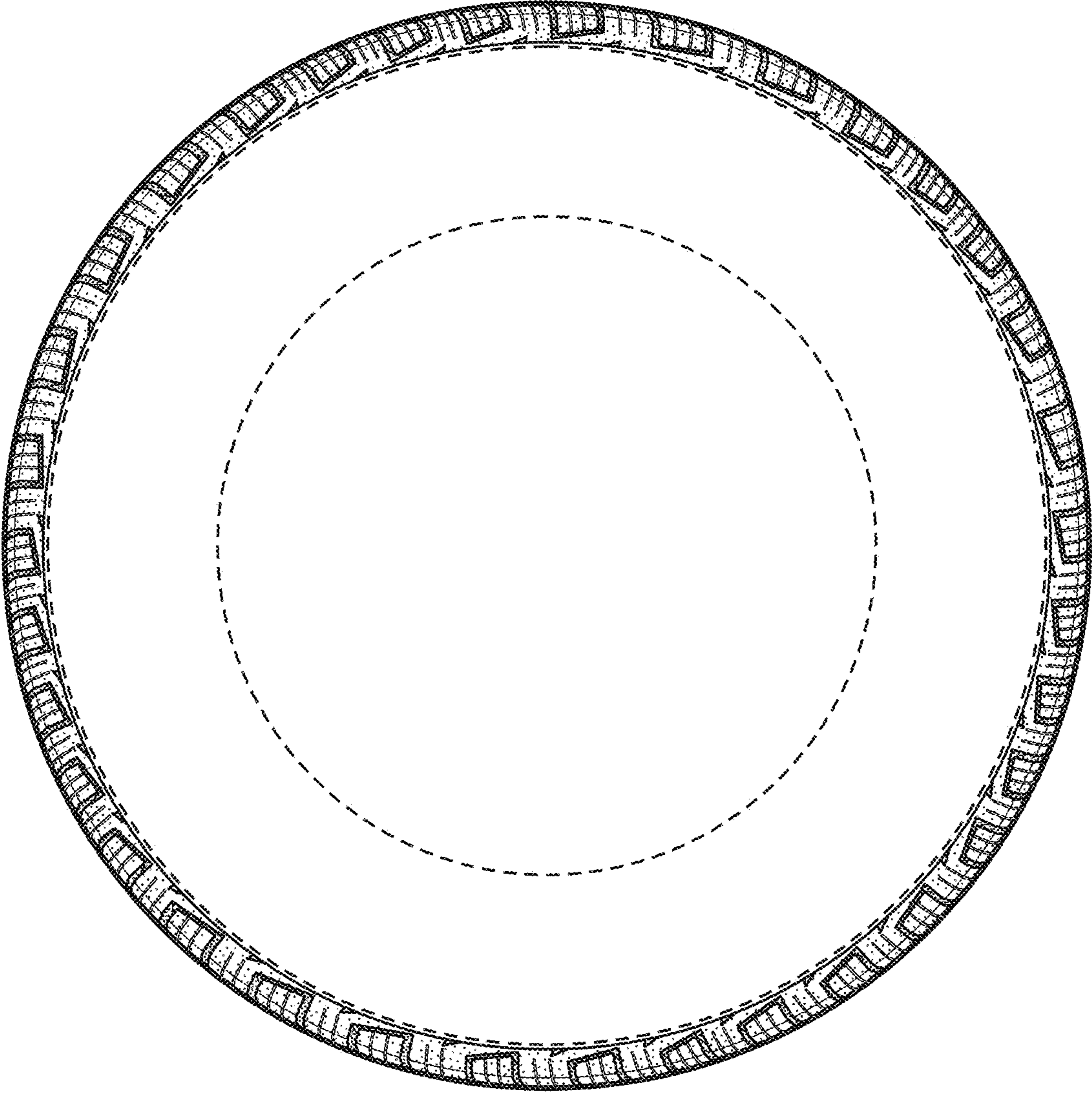


Fig. 3

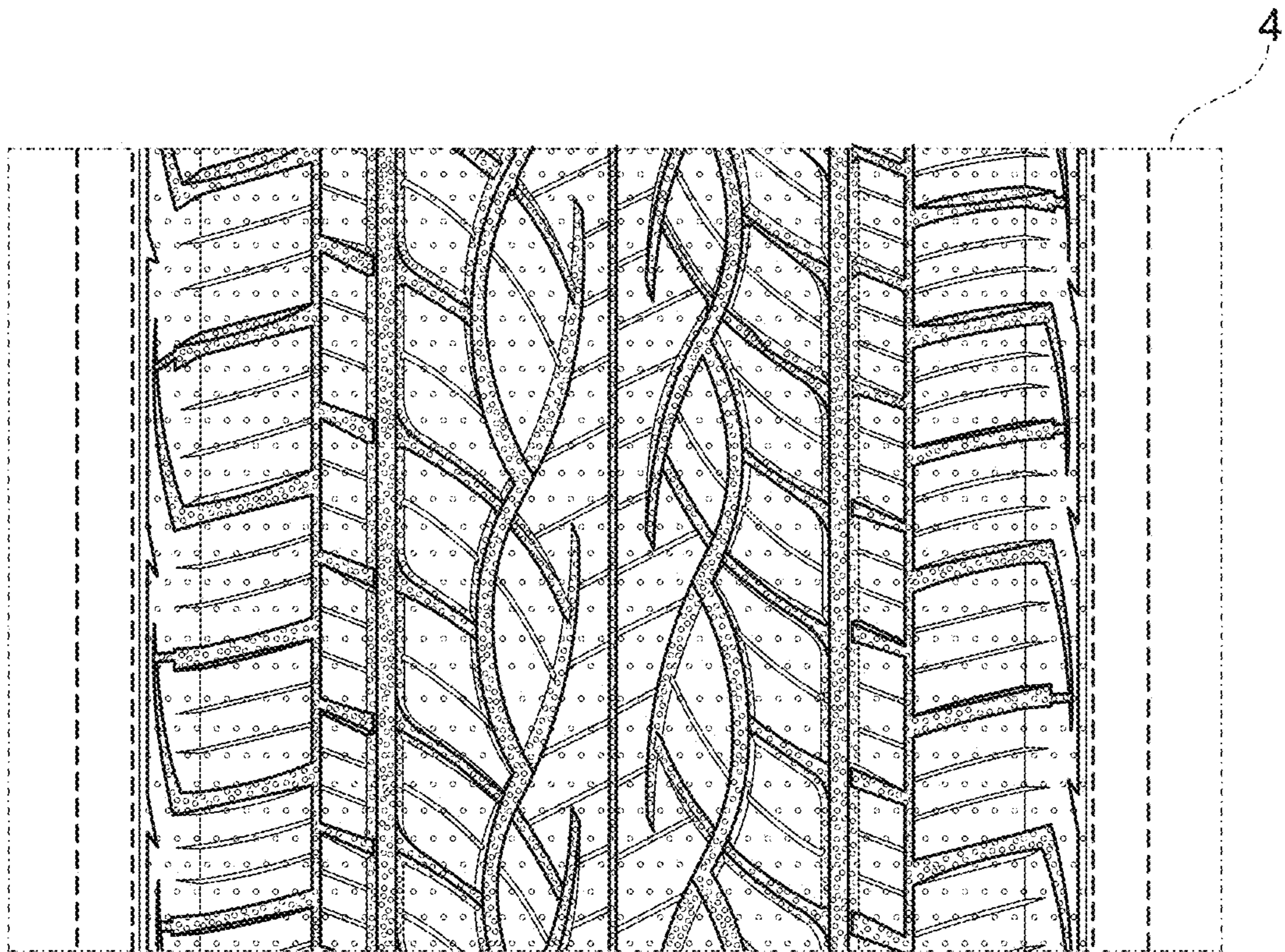


Fig. 4