



US00D931789S

(12) **United States Design Patent**  
**Sakata**

(10) **Patent No.:** **US D931,789 S**  
(45) **Date of Patent:** **\*\* Sep. 28, 2021**

(54) **TIRE**

(71) Applicant: **Toyo Tire Corporation**, Itami (JP)

(72) Inventor: **Hirokazu Sakata**, Itami (JP)

(73) Assignee: **Toyo Tire Corporation**, Itami (JP)

(\*\*) Term: **15 Years**

(21) Appl. No.: **29/707,969**

(22) Filed: **Oct. 2, 2019**

(30) **Foreign Application Priority Data**

Apr. 22, 2019 (JP) ..... 2019-008971

(51) **LOC (13) Cl.** ..... **12-15**

(52) **U.S. Cl.**  
USPC ..... **D12/585**

(58) **Field of Classification Search**  
USPC ..... D12/568-604, 900  
CPC ..... Y10T 152/10027; B60C 1/0016; B60C  
11/0306; B60C 11/0302; B60C 3/06;  
B60C 9/17

See application file for complete search history.

(56) **References Cited**

**U.S. PATENT DOCUMENTS**

D405,740 S *	2/1999	Heinen	.....	D12/585
D470,101 S *	2/2003	Heinen	.....	D12/584
D606,930 S *	12/2009	Taylor	.....	D12/585
D624,487 S *	9/2010	Drake	.....	D12/585
D764,392 S *	8/2016	Fu	.....	D12/585
D777,093 S *	1/2017	Tsukamoto	.....	D12/585

D833,965 S *	11/2018	Shimomura	.....	D12/585
D894,108 S *	8/2020	Takahashi	.....	D12/585
2012/0318420 A1 *	12/2012	Sawai	.....	B60C 11/042 152/209.15

**FOREIGN PATENT DOCUMENTS**

JP	920568 S	2/1995
JP	1579053 S	6/2017

\* cited by examiner

*Primary Examiner* — John A Voytek

(74) *Attorney, Agent, or Firm* — Sterne, Kessler,  
Goldstein & Fox P.L.L.C.

(57) **CLAIM**

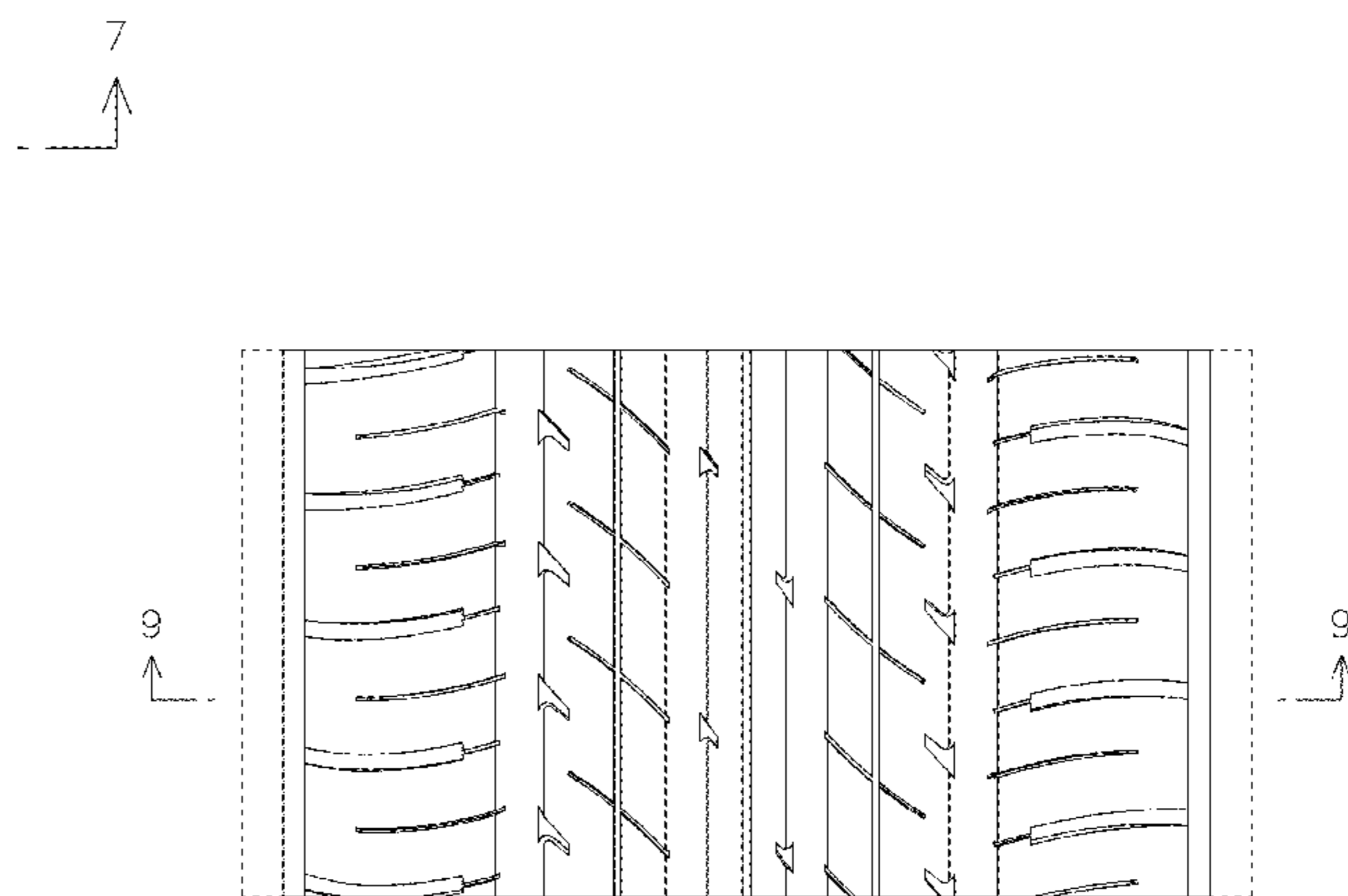
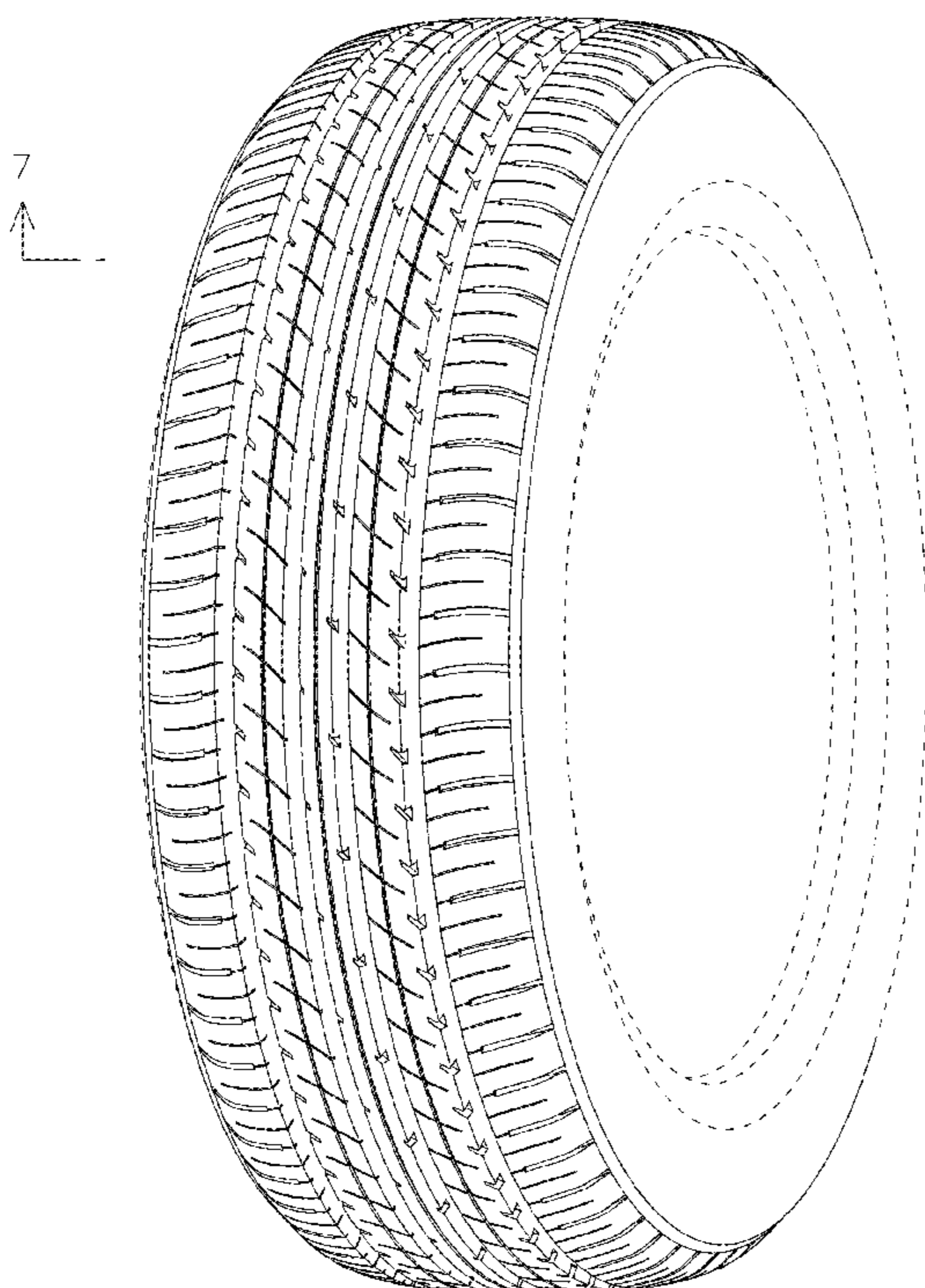
The ornamental design for a tire, as shown and described.

**DESCRIPTION**

FIG. 1 is a front perspective view of a tire showing the claimed design;  
FIG. 2 is a front view thereof;  
FIG. 3 is a rear view thereof;  
FIG. 4 is a top plan view thereof, the bottom plan view being the same;  
FIG. 5 is a right side view thereof;  
FIG. 6 is a left side view thereof;  
FIG. 7 is an enlarged view taken along line 7-7 in FIG. 1;  
FIG. 8 is an enlarged view of the portion 8-8 in FIG. 2; and,  
FIG. 9 is a cross-sectional view taken along line 9-9 in FIG. 8.

In the drawings, the broken lines show portions of the tire that form no part of the claimed design.

**1 Claim, 9 Drawing Sheets**



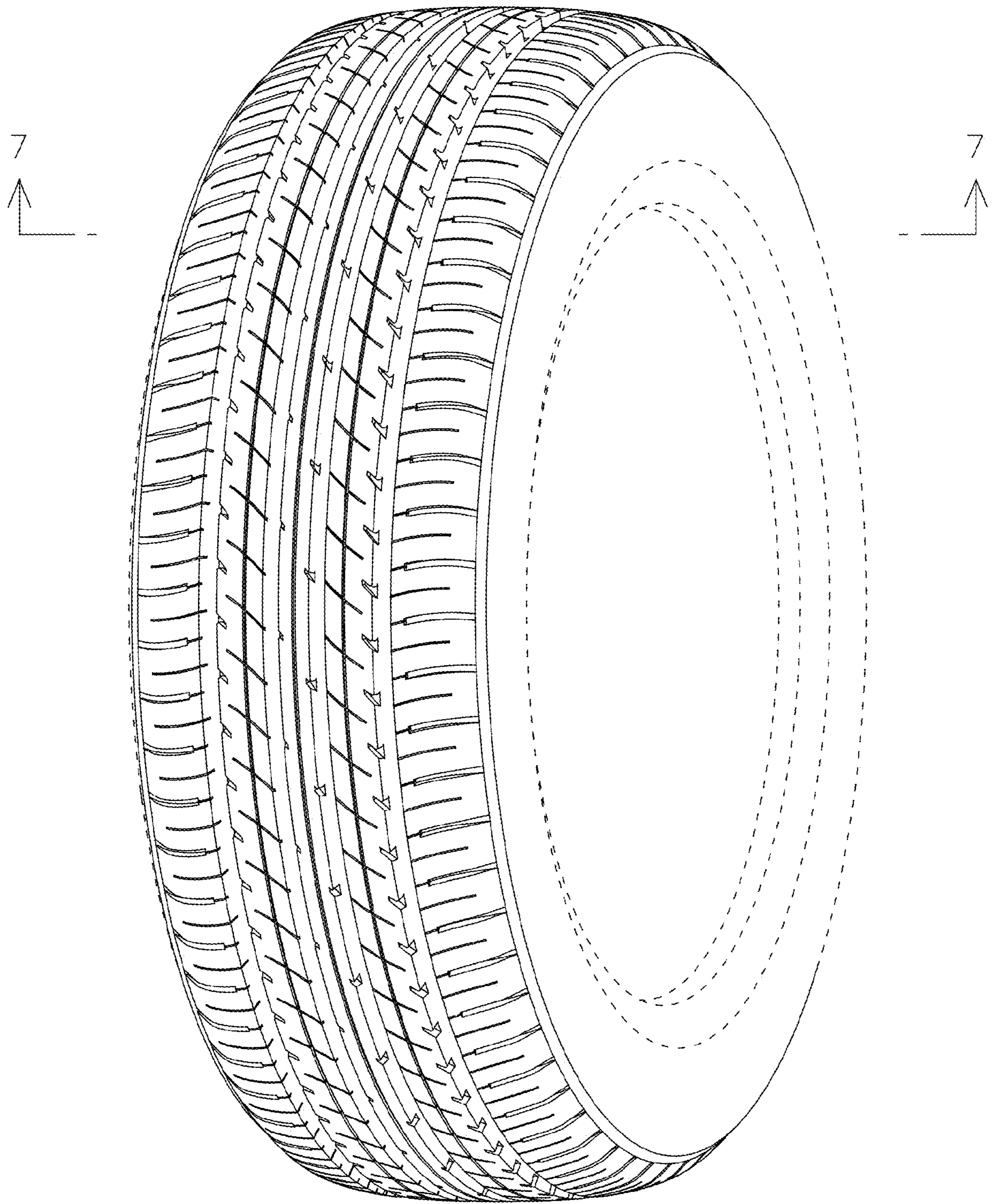


FIG. 1

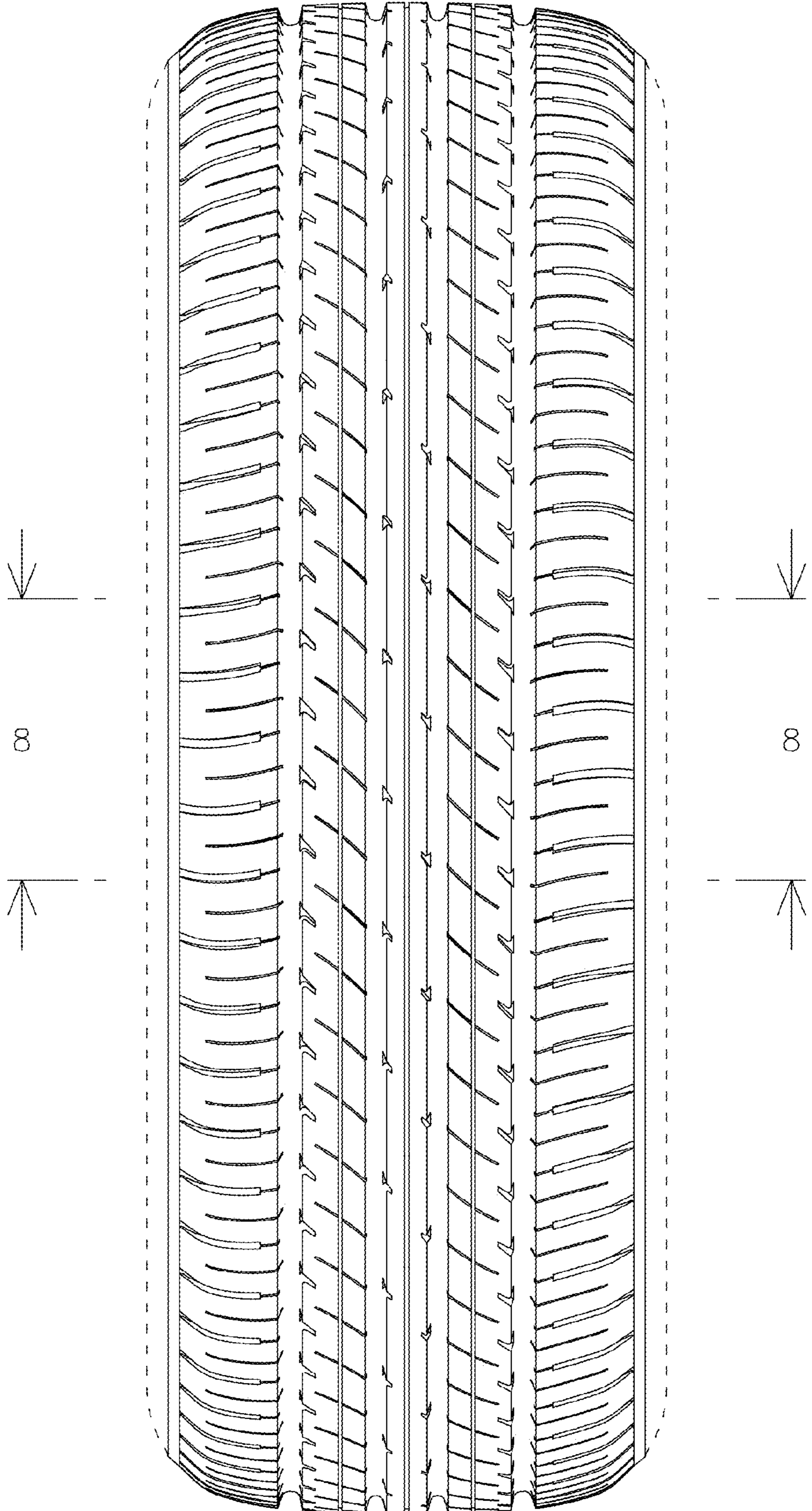


FIG. 2

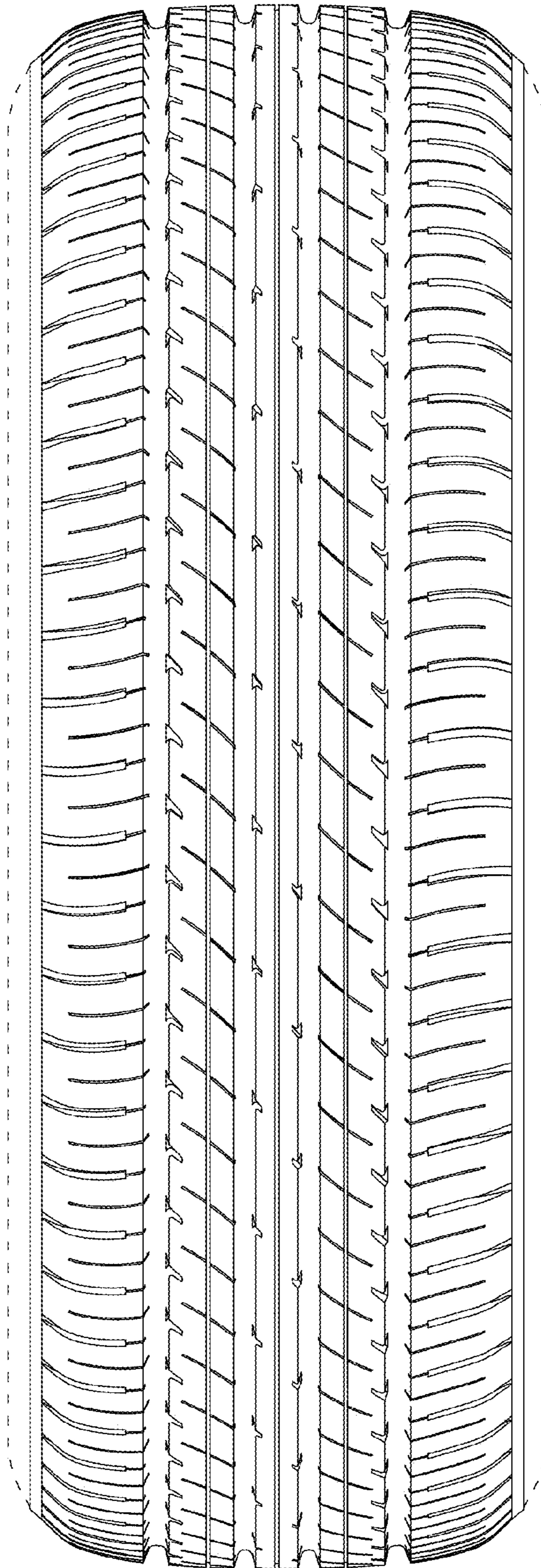


FIG. 3

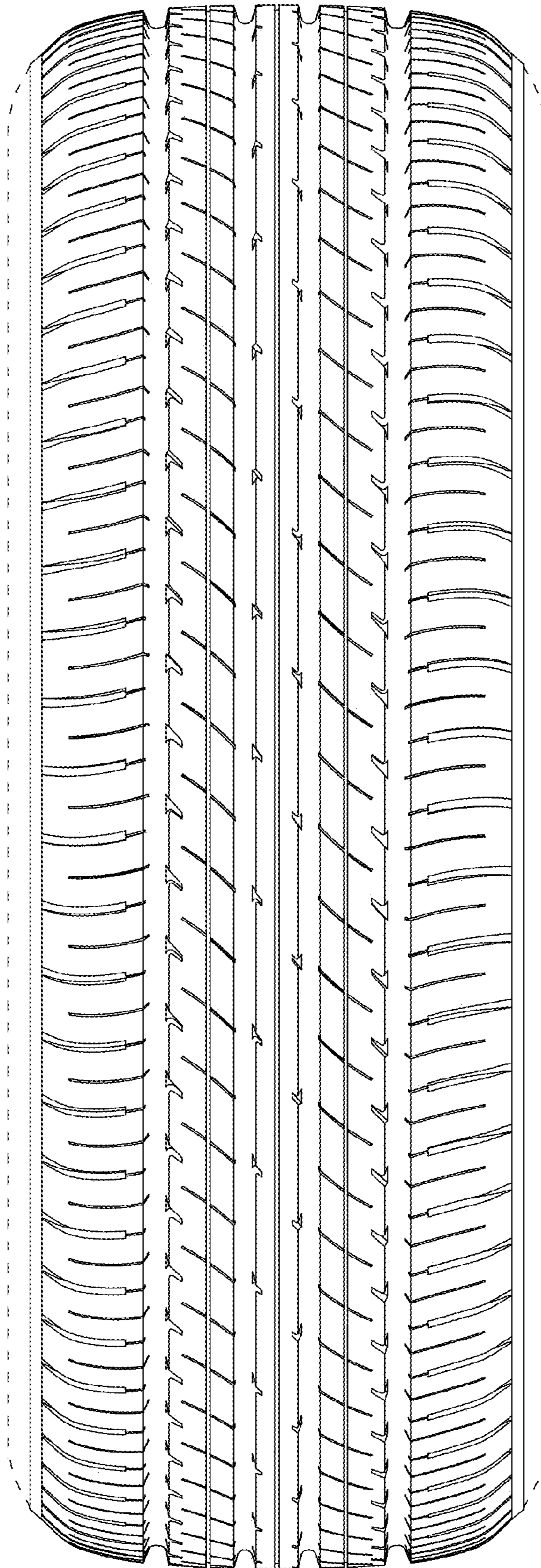


FIG. 4

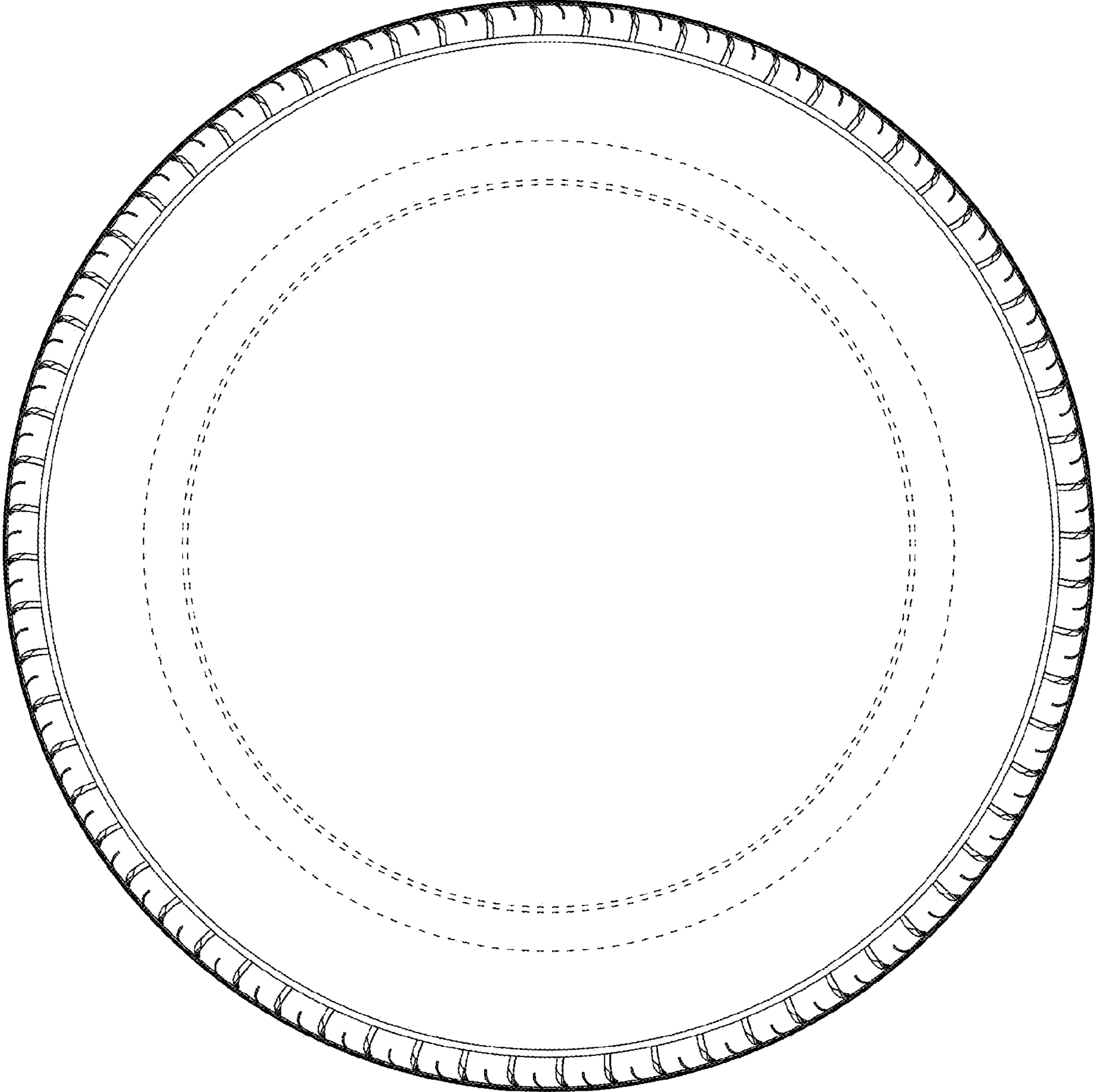


FIG. 5

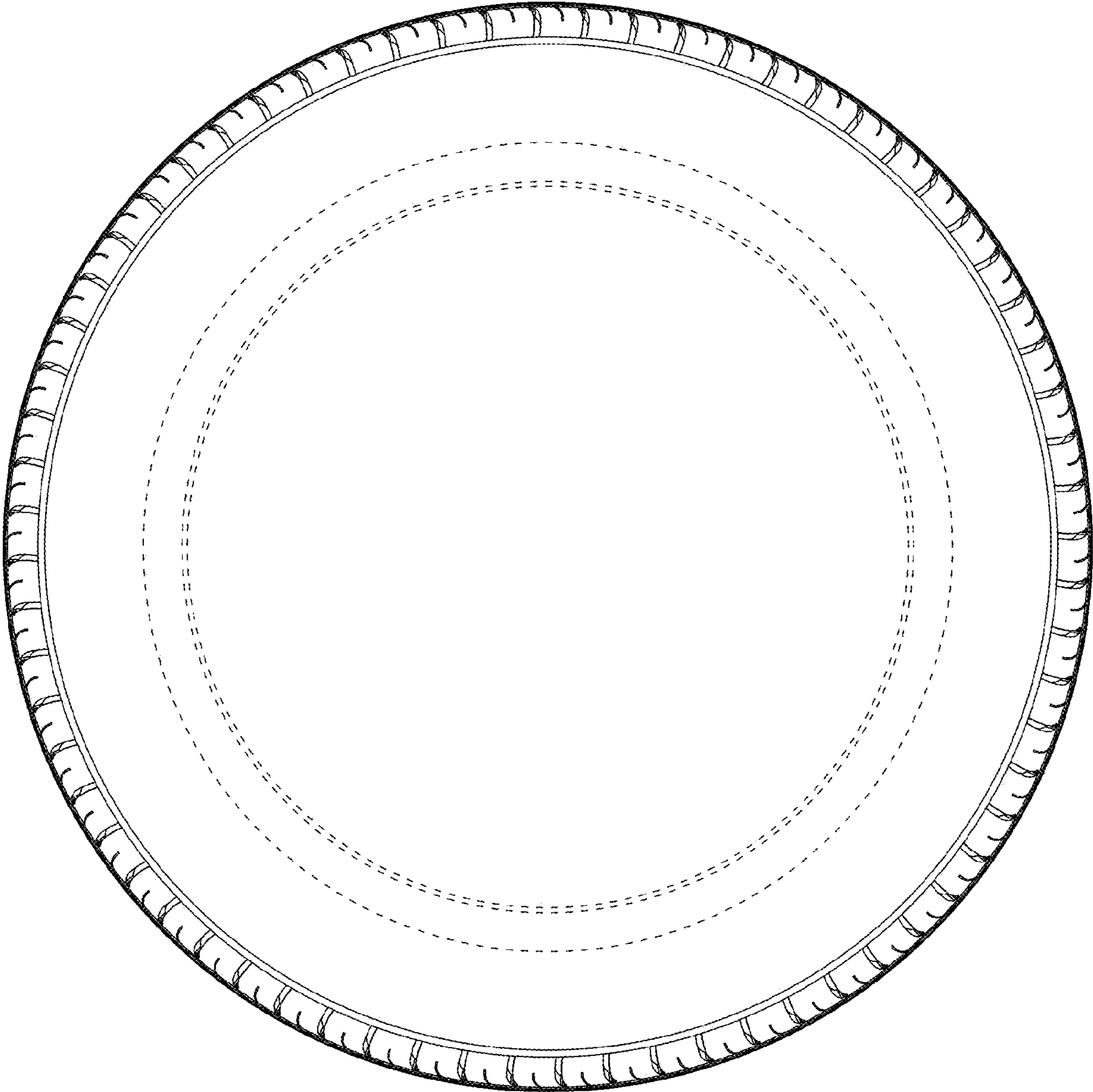


FIG. 6

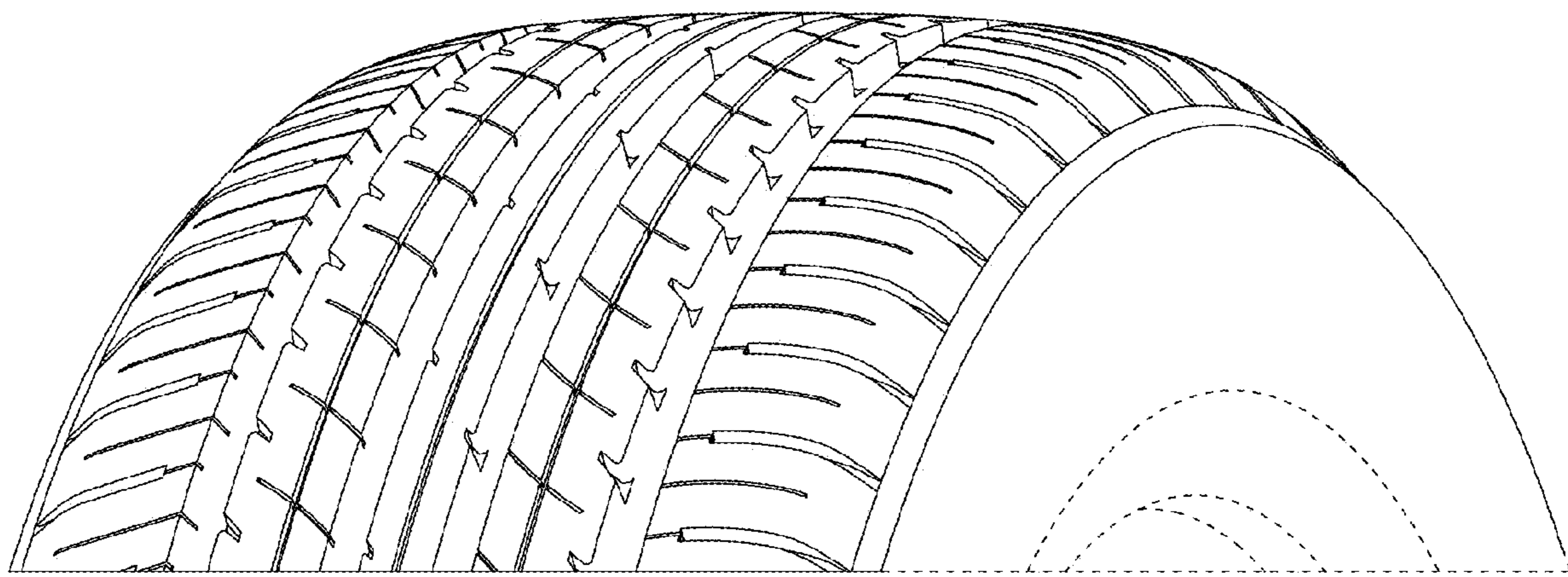


FIG. 7



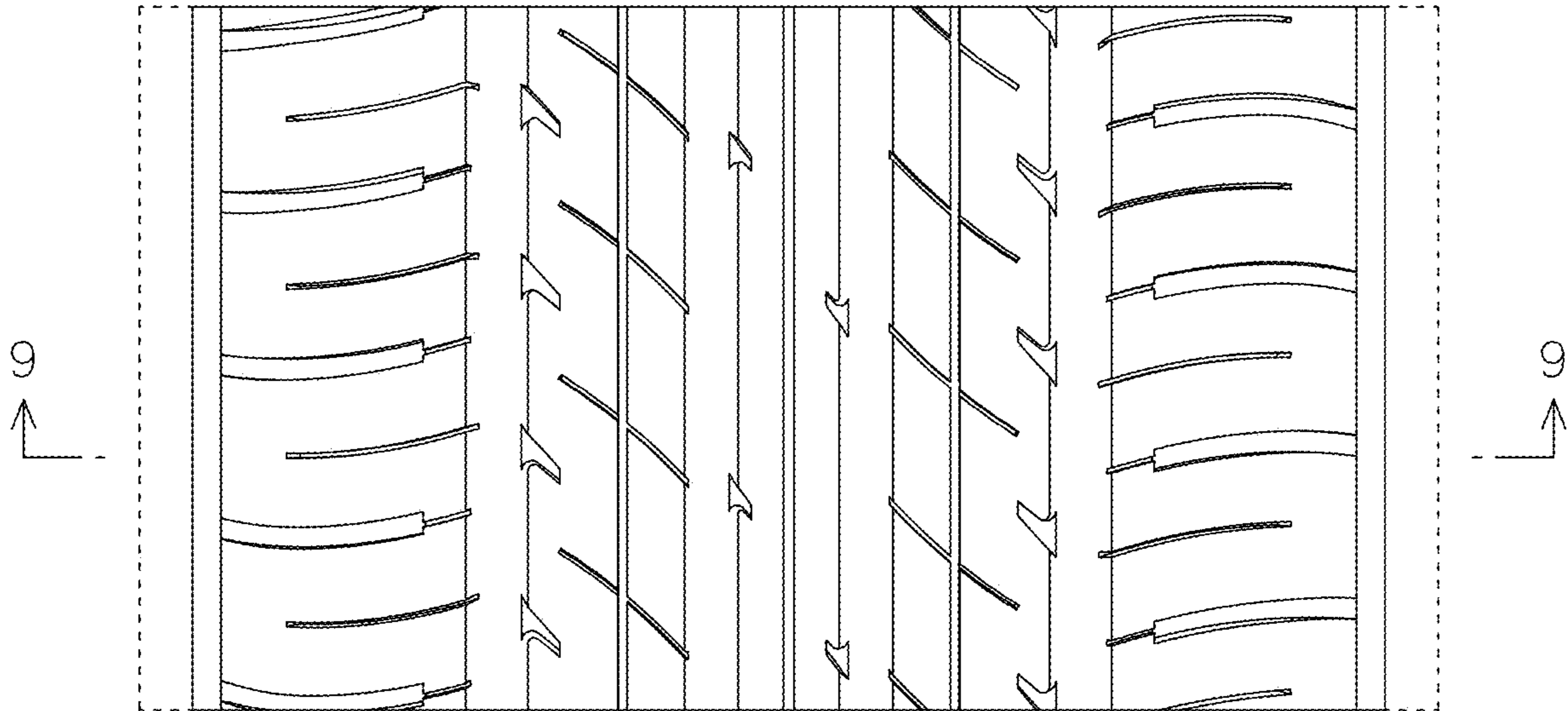


FIG. 8

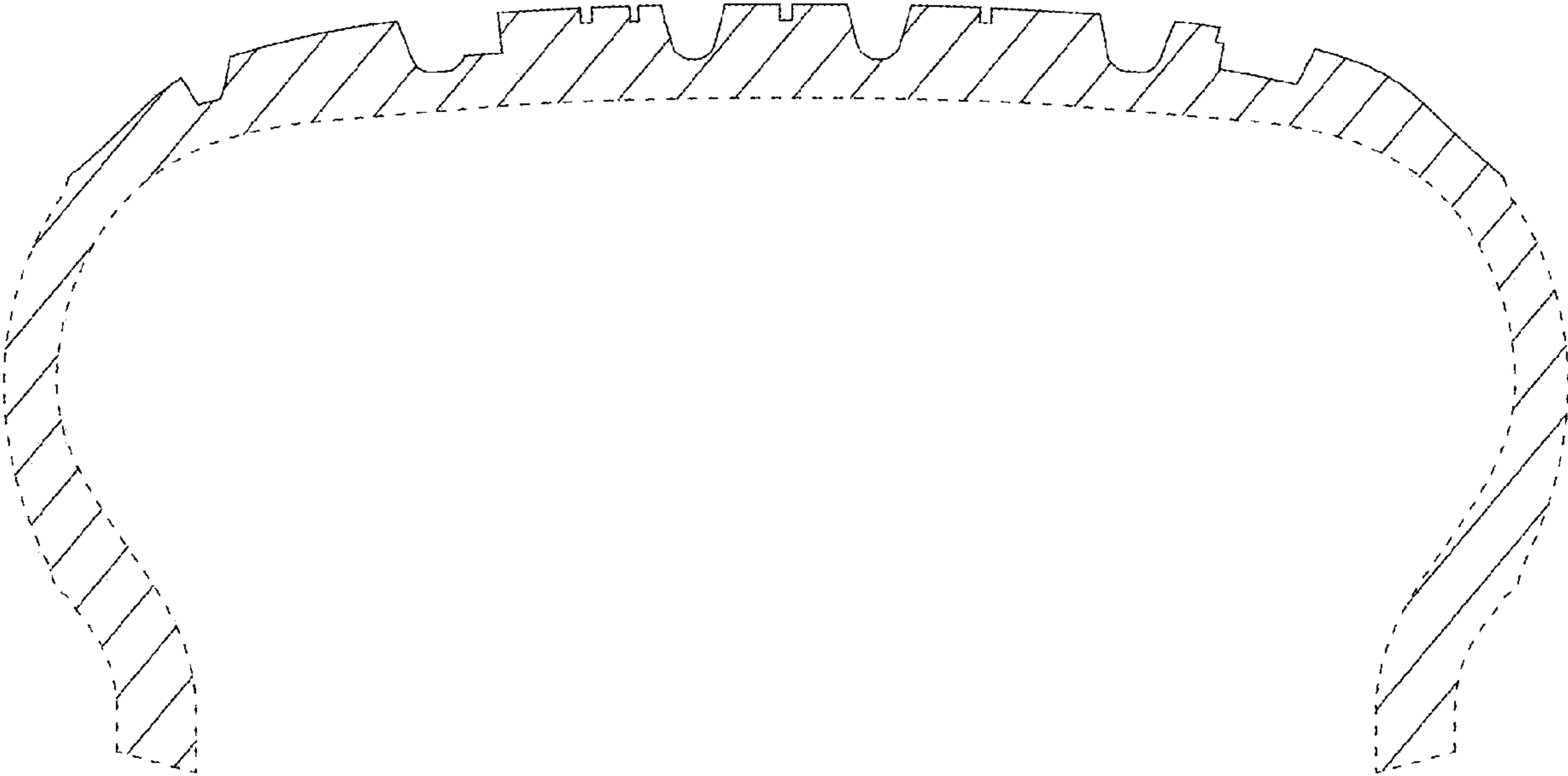


FIG. 9