



US00D931788S

(12) **United States Design Patent**
Inui

(10) **Patent No.:** **US D931,788 S**
(45) **Date of Patent:** **** Sep. 28, 2021**

(54) **TIRE**

(71) Applicant: **Toyo Tire Corporation**, Itami (JP)

(72) Inventor: **Yusuke Inui**, Itami (JP)

(73) Assignee: **Toyo Tire Corporation**, Itami (JP)

(**) Term: **15 Years**

(21) Appl. No.: **29/707,968**

(22) Filed: **Oct. 2, 2019**

(30) **Foreign Application Priority Data**

Apr. 22, 2019 (JP) 2019-008970

(51) **LOC (13) Cl.** **12-15**

(52) **U.S. Cl.**
USPC **D12/585**

(58) **Field of Classification Search**

USPC D12/568-604, 900

CPC Y10T 152/10027; B60C 1/0016; B60C
11/0306; B60C 11/0302; B60C 3/06;
B60C 9/17

See application file for complete search history.

(56) **References Cited**

U.S. PATENT DOCUMENTS

D445,728 S *	7/2001	Allison	D12/585
D470,101 S *	2/2003	Heinen	D12/584
D603,787 S *	11/2009	Lim	D12/585
D738,295 S *	9/2015	Kanamura	D12/585
D762,563 S *	8/2016	Kanamura	D12/601
D764,392 S *	8/2016	Fu	D12/585

D833,965 S *	11/2018	Shimomura	D12/585
D894,108 S *	8/2020	Takahashi	D12/585
2012/0318420 A1 *	12/2012	Sawai	B60C 11/042 152/209.15

FOREIGN PATENT DOCUMENTS

JP	1320229 S	1/2008
JP	1381337 S	3/2010
JP	1439192 S	4/2012
JP	1627552 S	3/2019

* cited by examiner

Primary Examiner — John A Voytek

(74) *Attorney, Agent, or Firm* — Sterne, Kessler,
Goldstein & Fox P.L.L.C.

(57) **CLAIM**

The ornamental design for a tire, as shown and described.

DESCRIPTION

FIG. 1 is a front perspective view of a tire showing the claimed design;

FIG. 2 is a front view thereof;

FIG. 3 is a rear view thereof;

FIG. 4 is a top plan view thereof, the bottom plan view being the same;

FIG. 5 is a right side view thereof;

FIG. 6 is a left side view thereof;

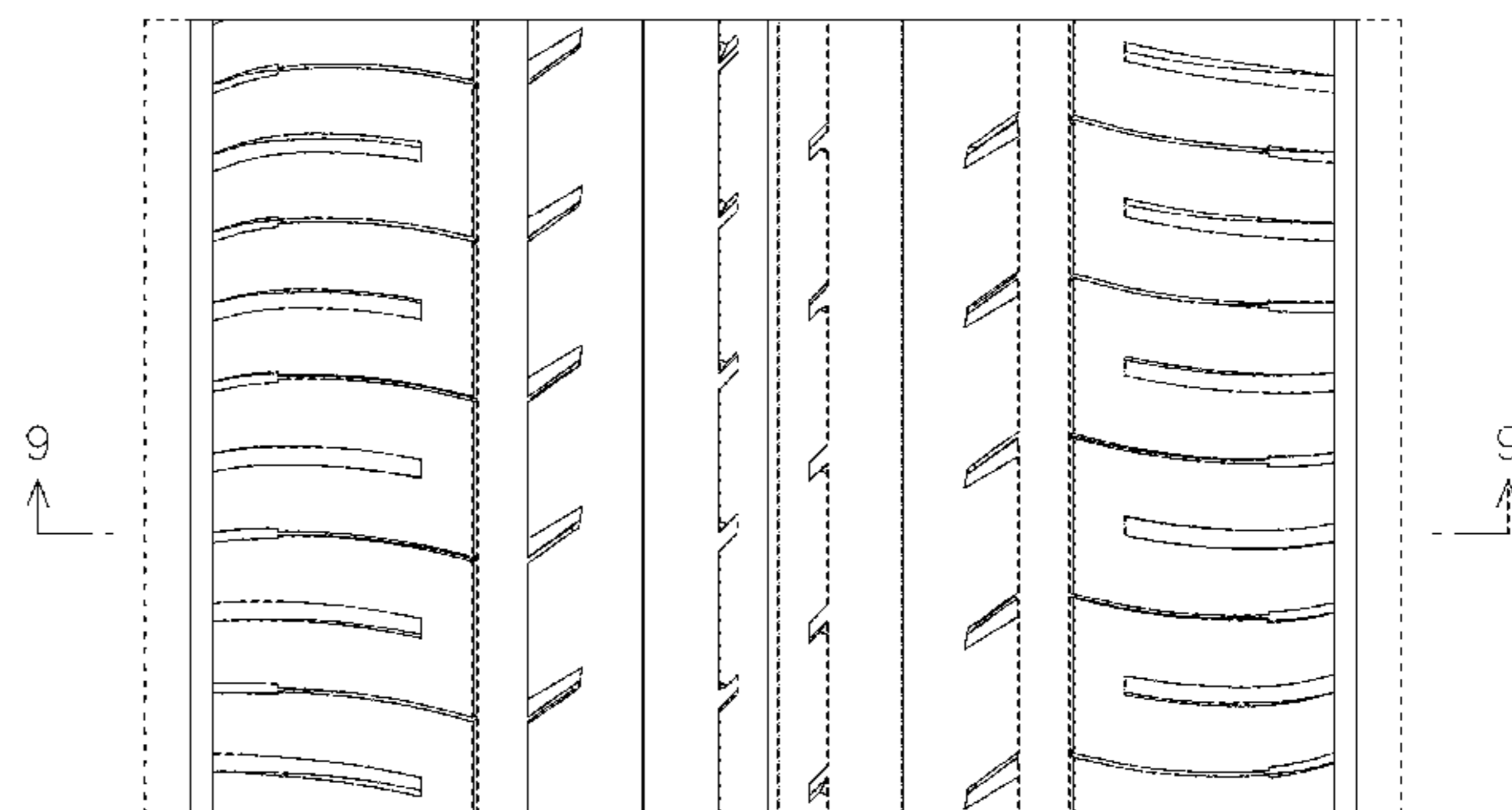
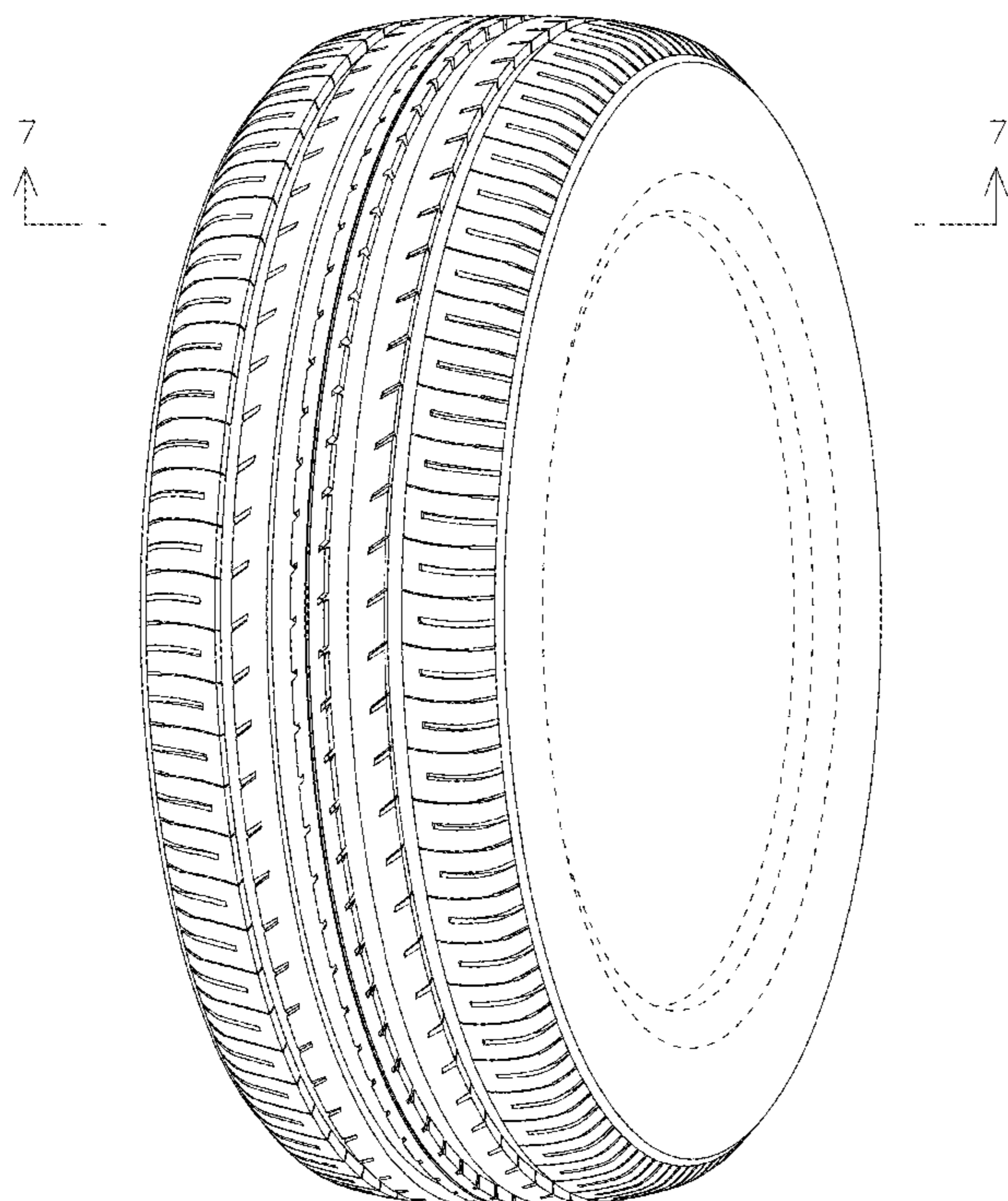
FIG. 7 is an enlarged view taken along line 7-7 in FIG. 1;

FIG. 8 is an enlarged view of the portion 8-8 in FIG. 2; and,

FIG. 9 is a cross-sectional view taken along line 9-9 in FIG. 8.

In the drawings, the broken lines show portions of the tire that form no part of the claimed design.

1 Claim, 9 Drawing Sheets



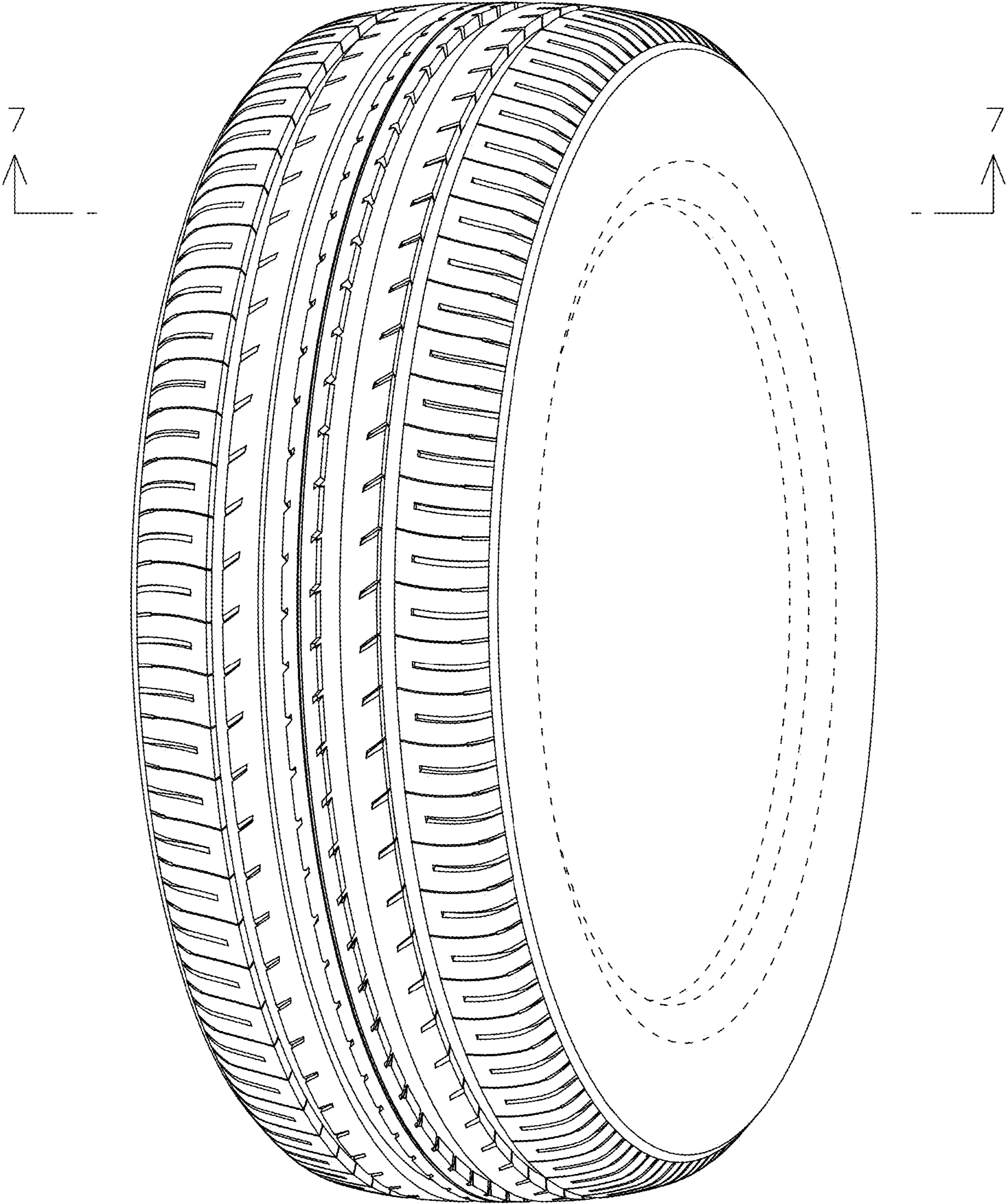


FIG. 1

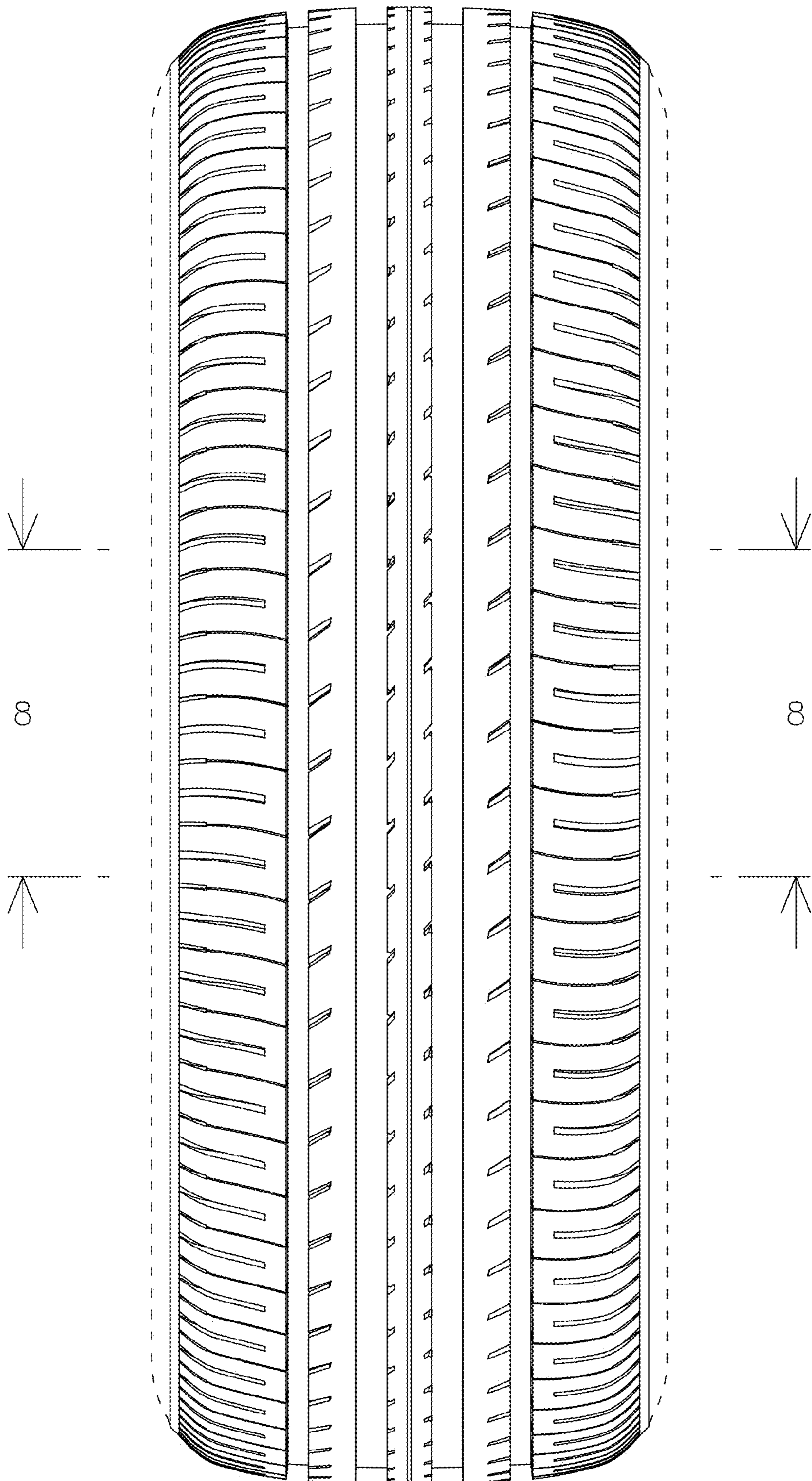


FIG. 2

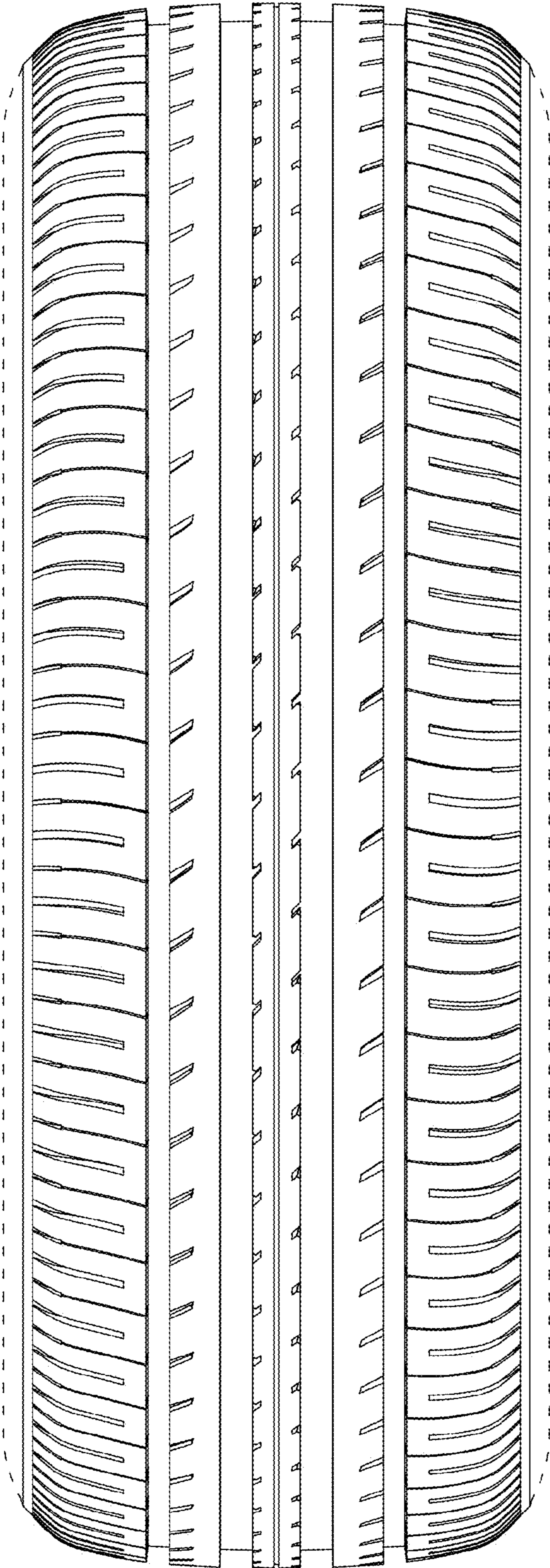


FIG. 3

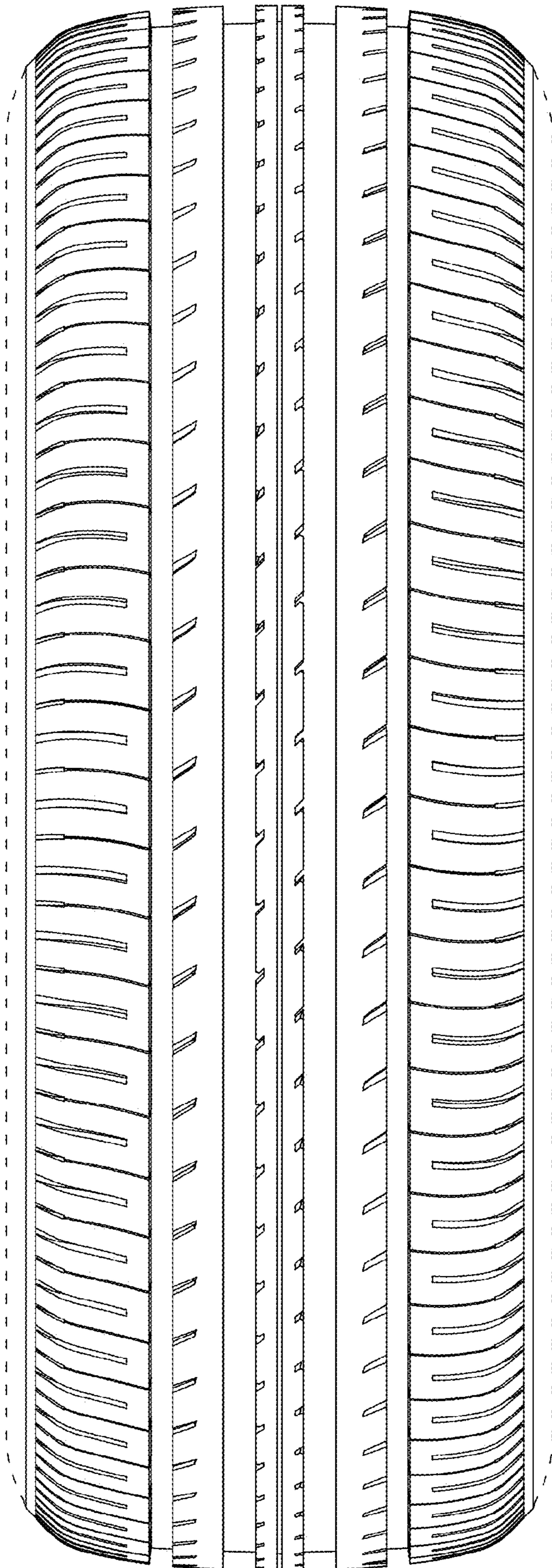


FIG. 4

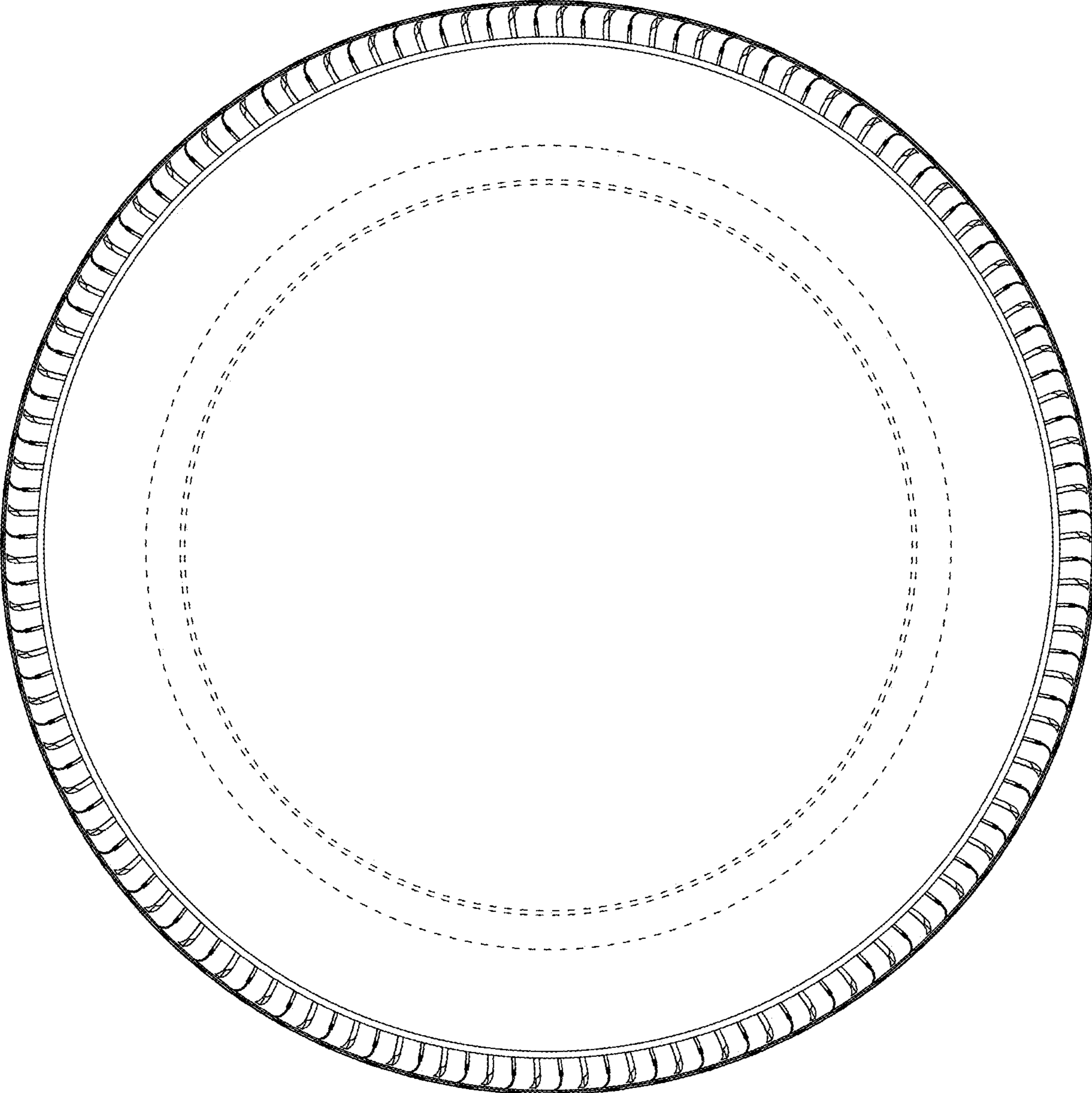


FIG. 5

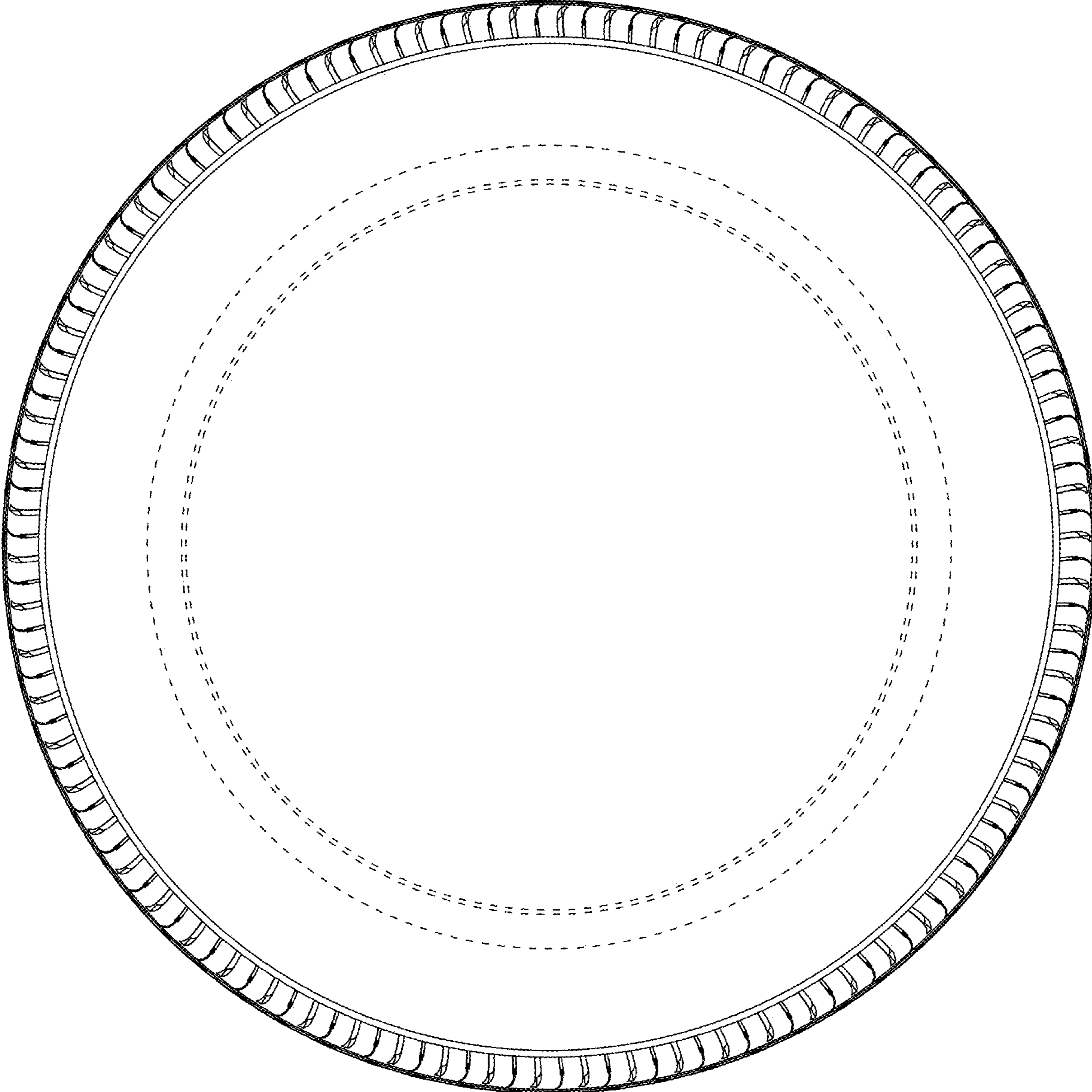


FIG. 6

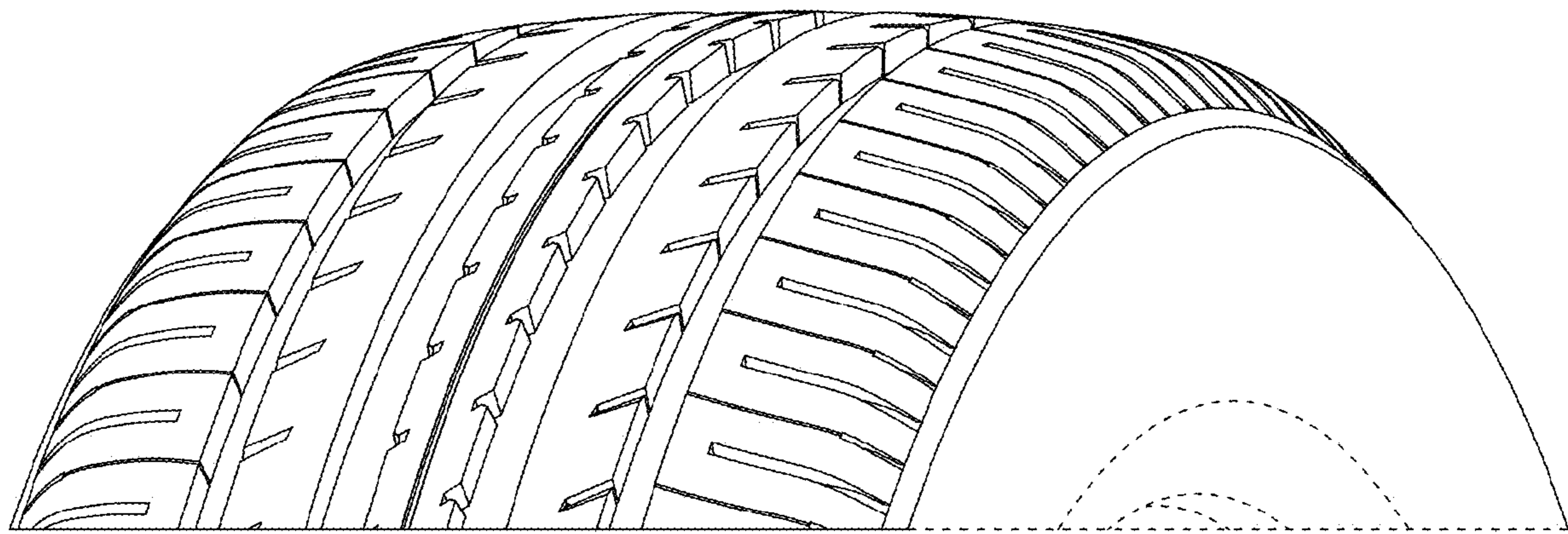


FIG. 7

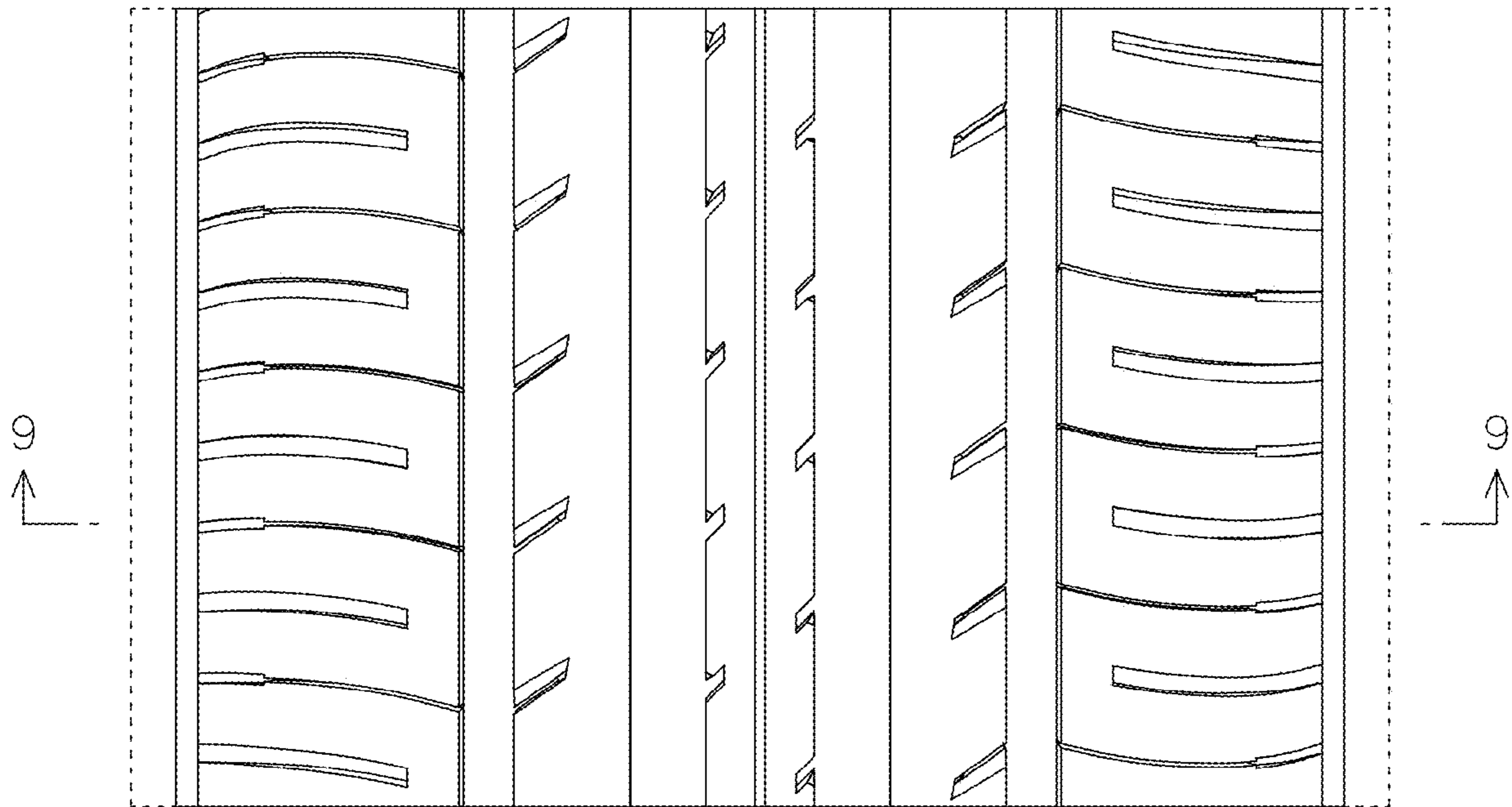


FIG. 8

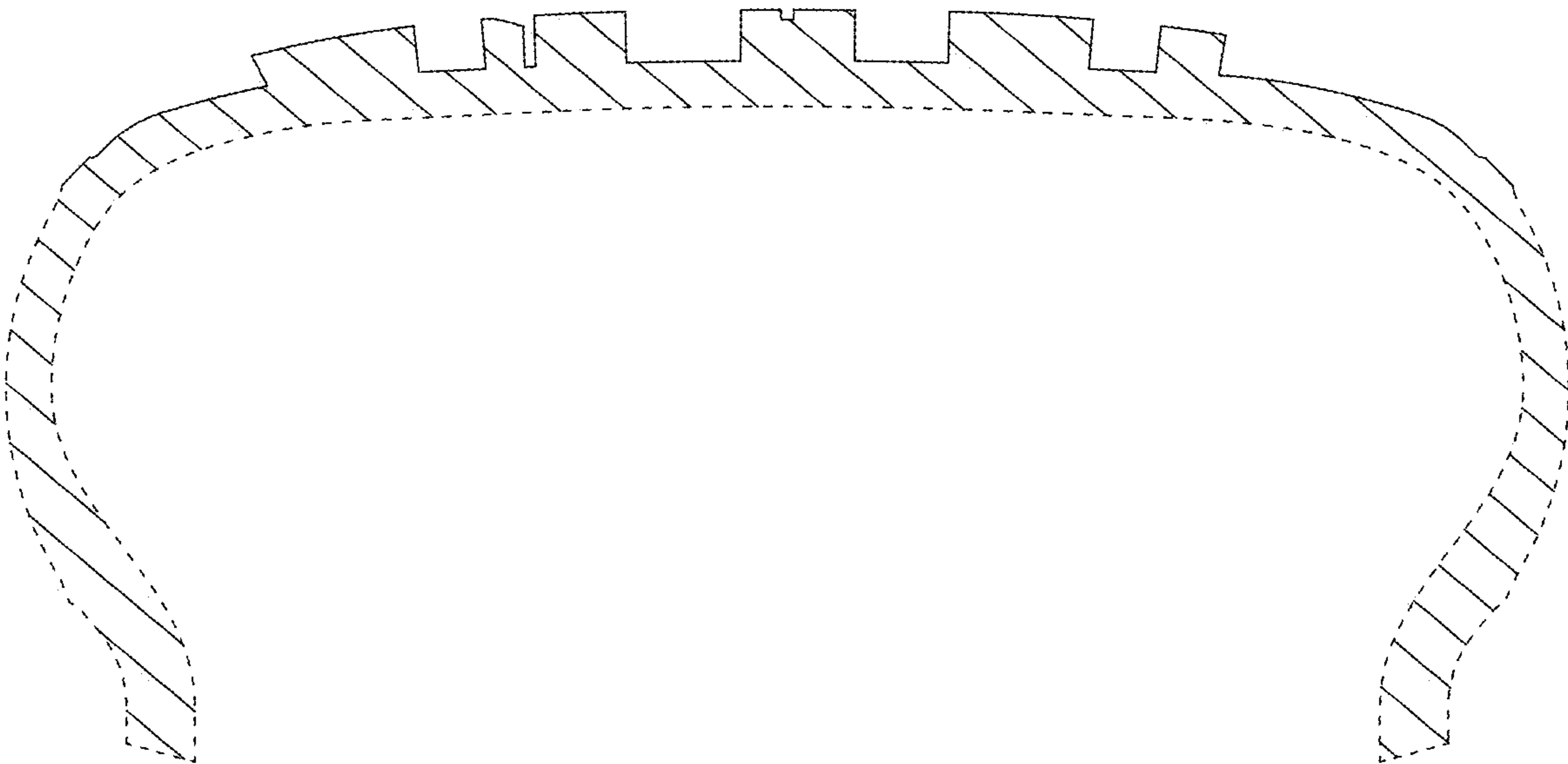


FIG. 9