



US00D931784S

(12) **United States Design Patent** (10) **Patent No.:** **US D931,784 S**
Ayglon et al. (45) **Date of Patent:** **** Sep. 28, 2021**

(54) **TIRE**

Primary Examiner — George D. Kirschbaum

(71) Applicant: **Compagnie Generale des Etablissements Michelin,**
Clermont-Ferrand (FR)

(74) *Attorney, Agent, or Firm* — Neal P. Pierotti

(57) **CLAIM**

(72) Inventors: **Virgile Ayglon,** Simpsonville, SC (US);
Jenifer Jones, Clinton, SC (US)

The ornamental design for a tire, as shown and described.

DESCRIPTION

(73) Assignee: **COMPAGNIE GENERALE DES ETABLISSEMENTS MICHELIN,**
Clermont-Ferrand (FR)

FIG. 1 is a perspective view showing our new design as a tire tread;

(**) Term: **15 Years**

FIG. 2 is a front view thereof;

(21) Appl. No.: **29/690,820**

FIG. 3 is a right side view, the left side being a mirror image thereof;

(22) Filed: **May 10, 2019**

FIG. 4 is a cross-sectional view taken along the lines 4-4 of FIG. 2;

(51) **LOC (13) Cl.** **12-15**

FIG. 5 is a cross-sectional view taken along the lines 5-5 of FIG. 2;

(52) **U.S. Cl.**

FIG. 6 is a perspective view showing our new design as a complete tire;

USPC **D12/547**

FIG. 7 is a front view thereof;

(58) **Field of Classification Search**

USPC **D12/547, 582, 551, 586**

See application file for complete search history.

FIG. 8 a right side view, the left side being a mirror image thereof;

(56) **References Cited**

U.S. PATENT DOCUMENTS

D352,487 S	*	11/1994	Paulin	D12/586
D458,582 S	*	6/2002	Rodicq	D12/586
D674,739 S	*	1/2013	Georges	D12/586
D821,295 S	*	6/2018	Baranger	D12/582
D882,500 S	*	4/2020	Fukuda	D12/582

FIG. 9 is a cross-sectional view taken along the lines 9-9 of FIG. 6;

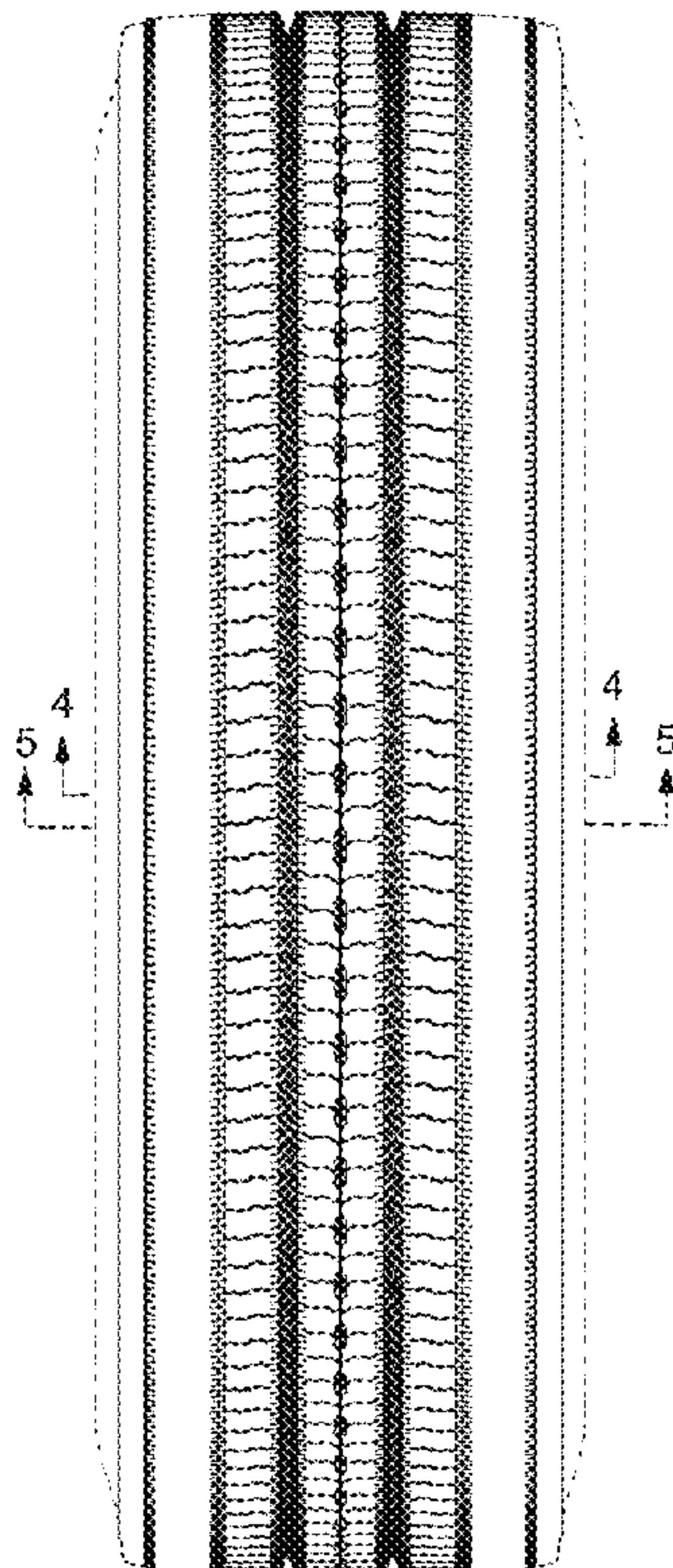
FIG. 10 is a cross-sectional view taken along the lines of 10-10 of FIG. 6; and,

FIG. 11 is an enlarged view thereof.

In the drawings, the broken lines defining the sidewall, inner bead and the peripheral boundary between the claimed tire tread and the unclaimed sidewall depict environmental subject matter that forms no part of the claimed design.

* cited by examiner

1 Claim, 11 Drawing Sheets



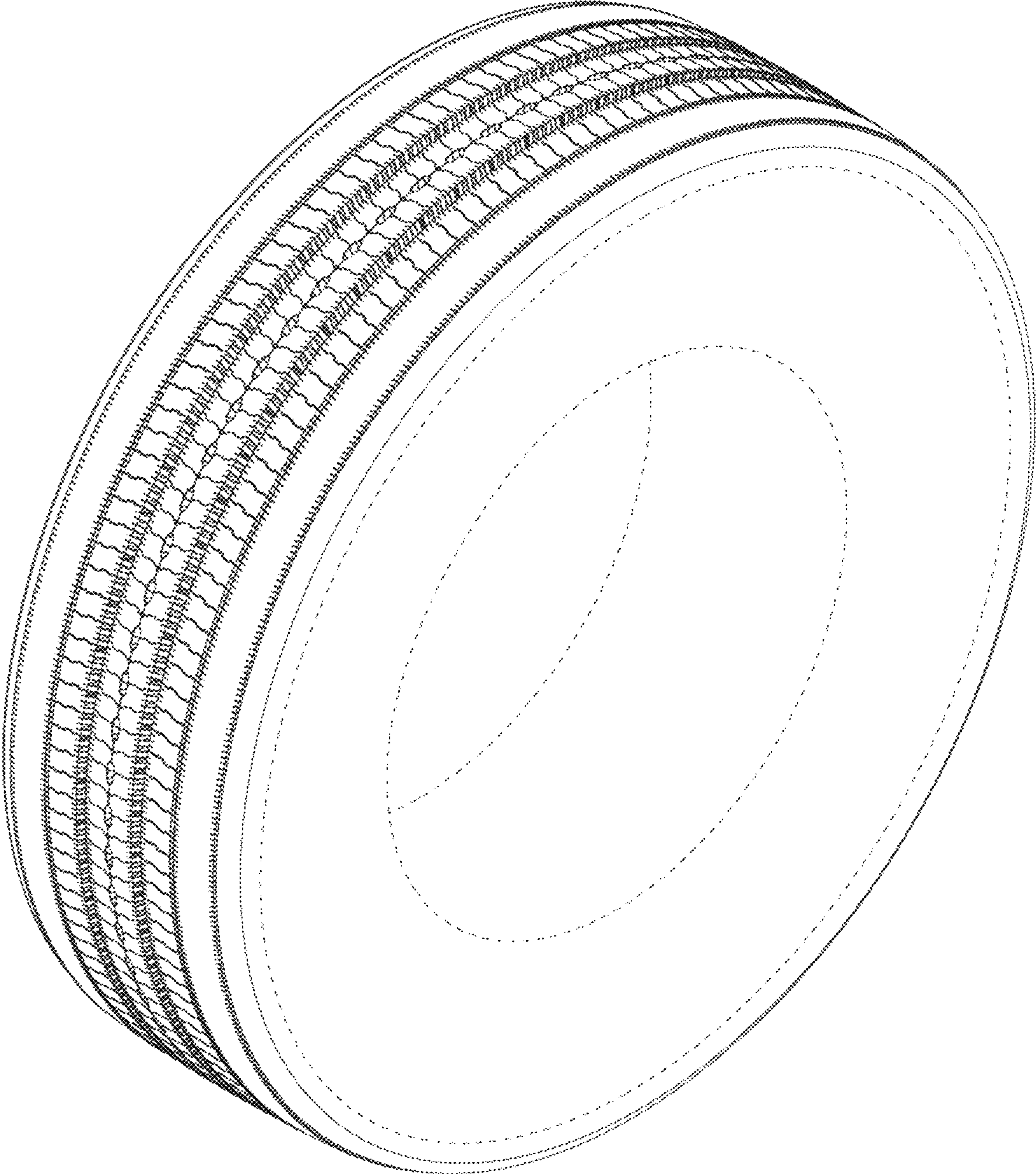


FIG. 1

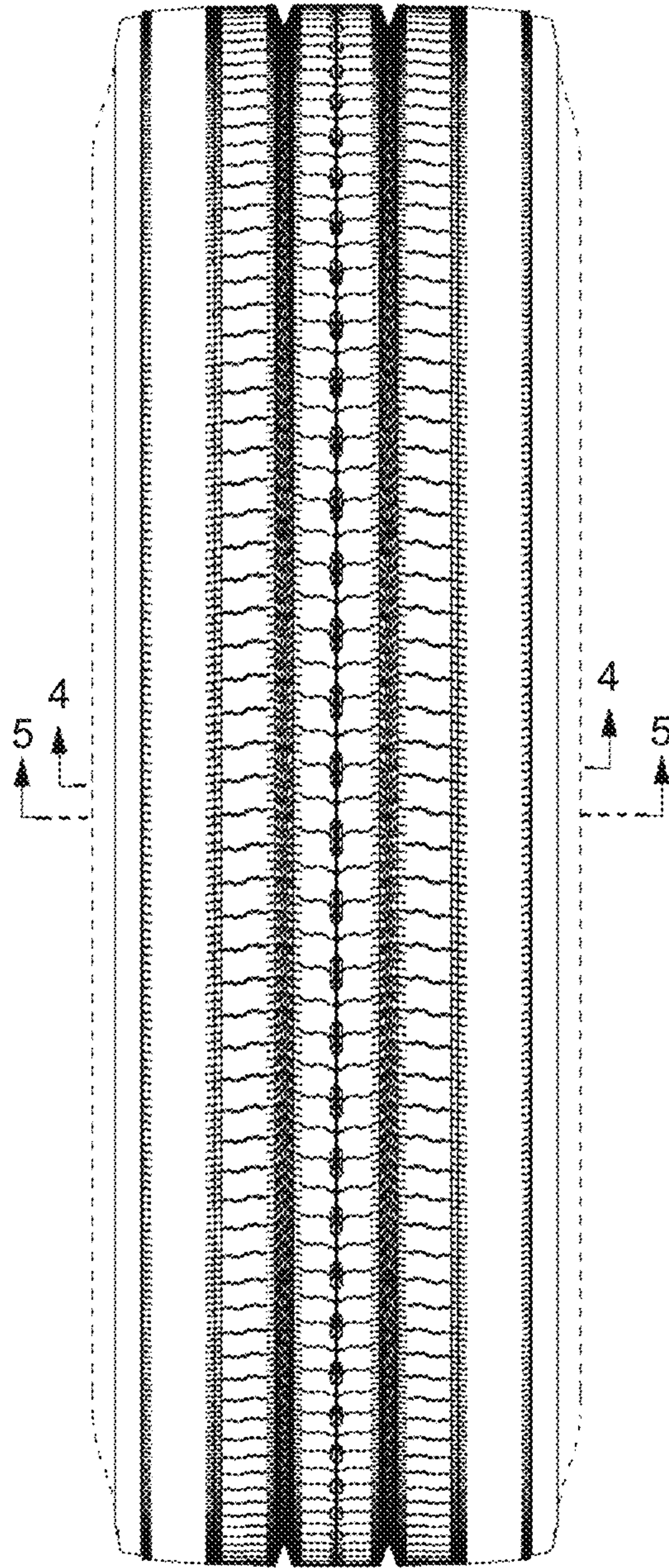


FIG. 2

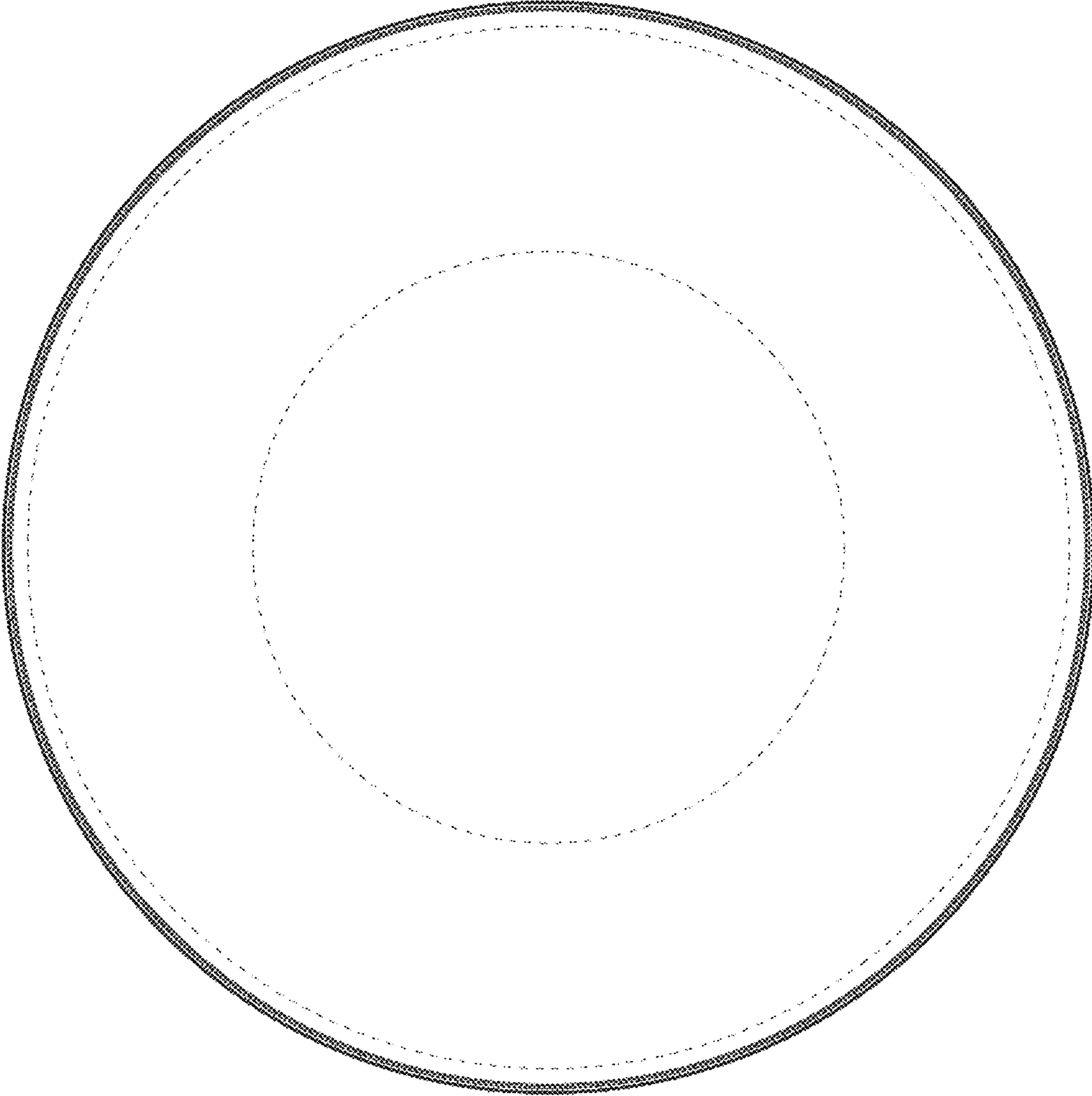


FIG. 3

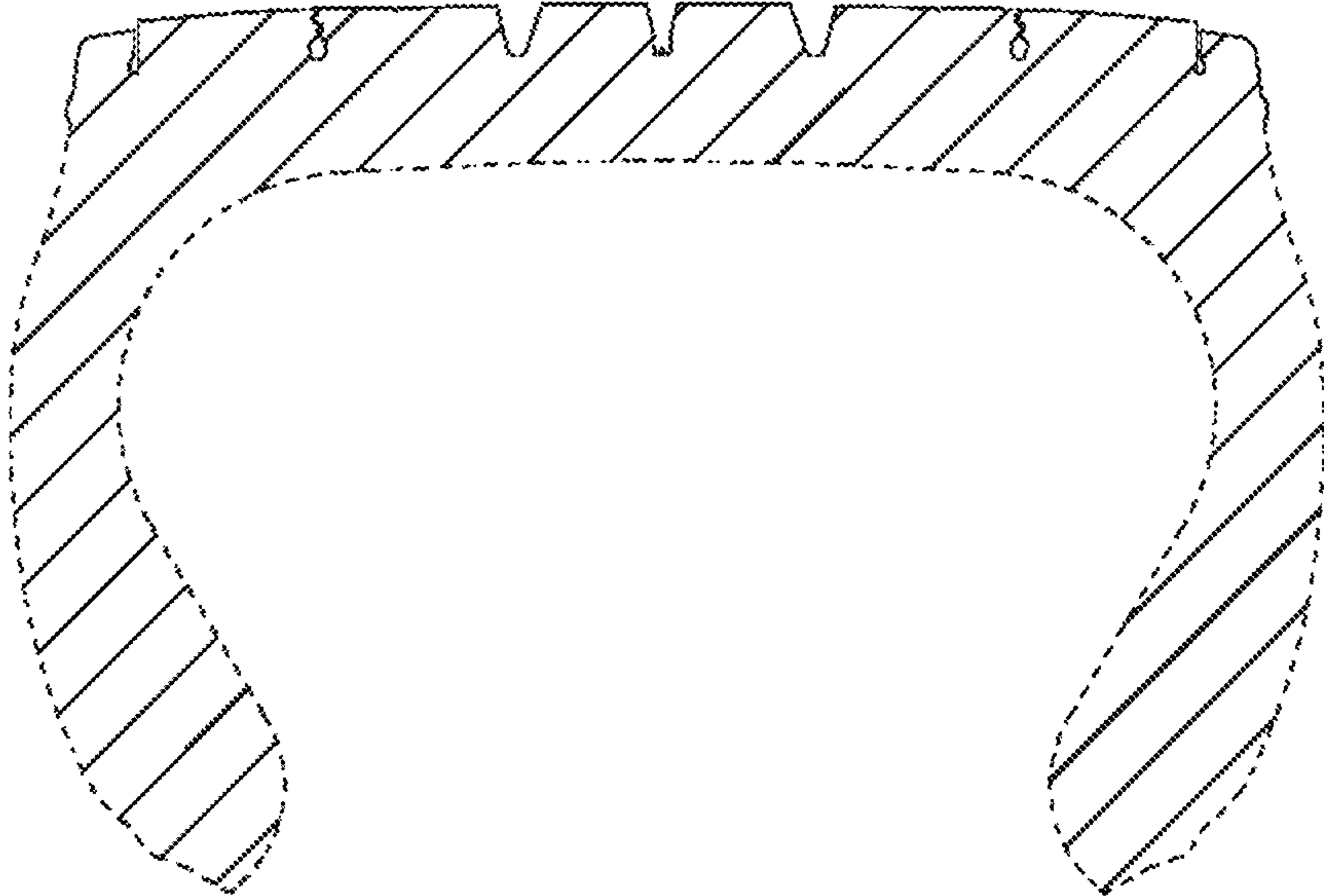


FIG. 4

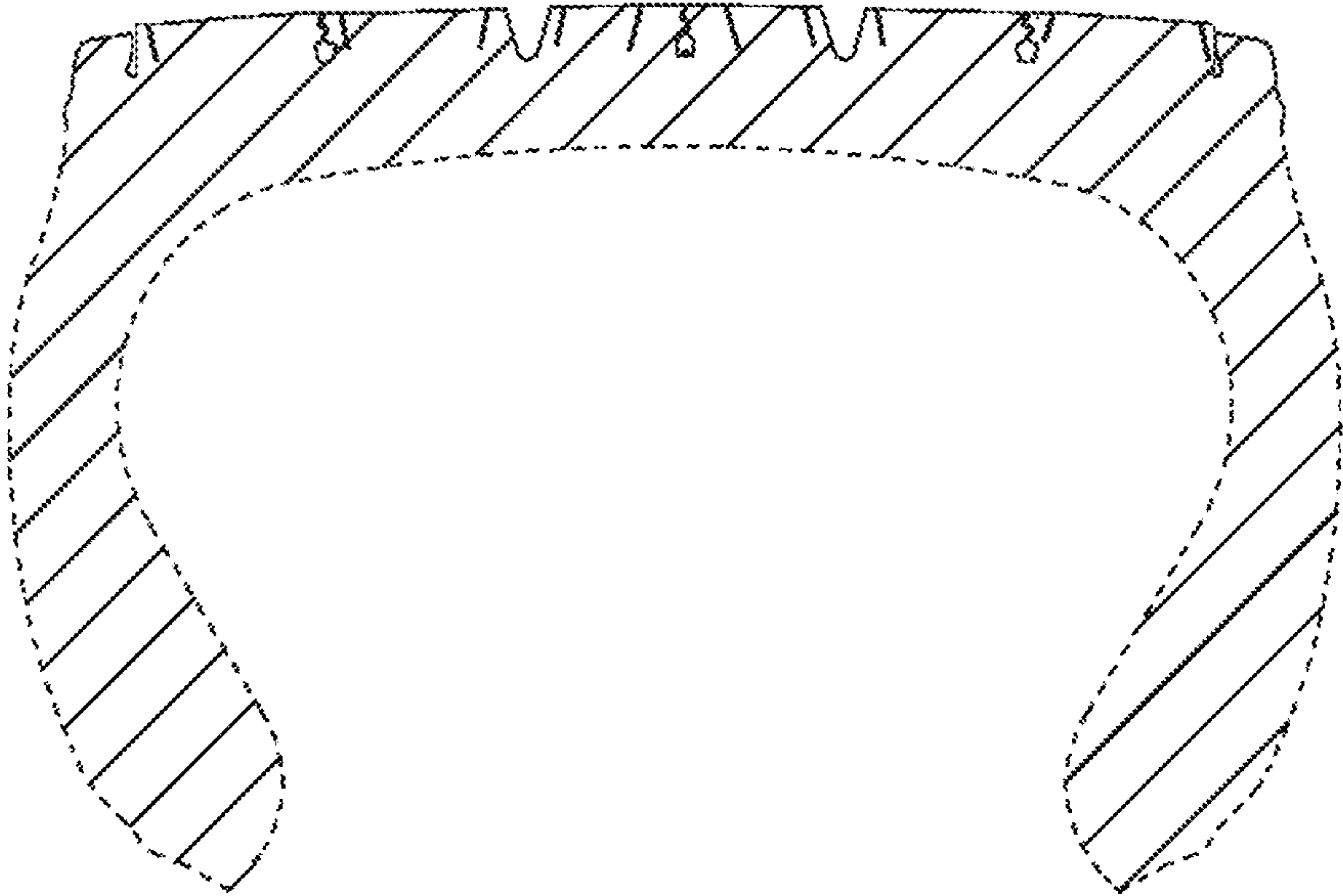


FIG. 5

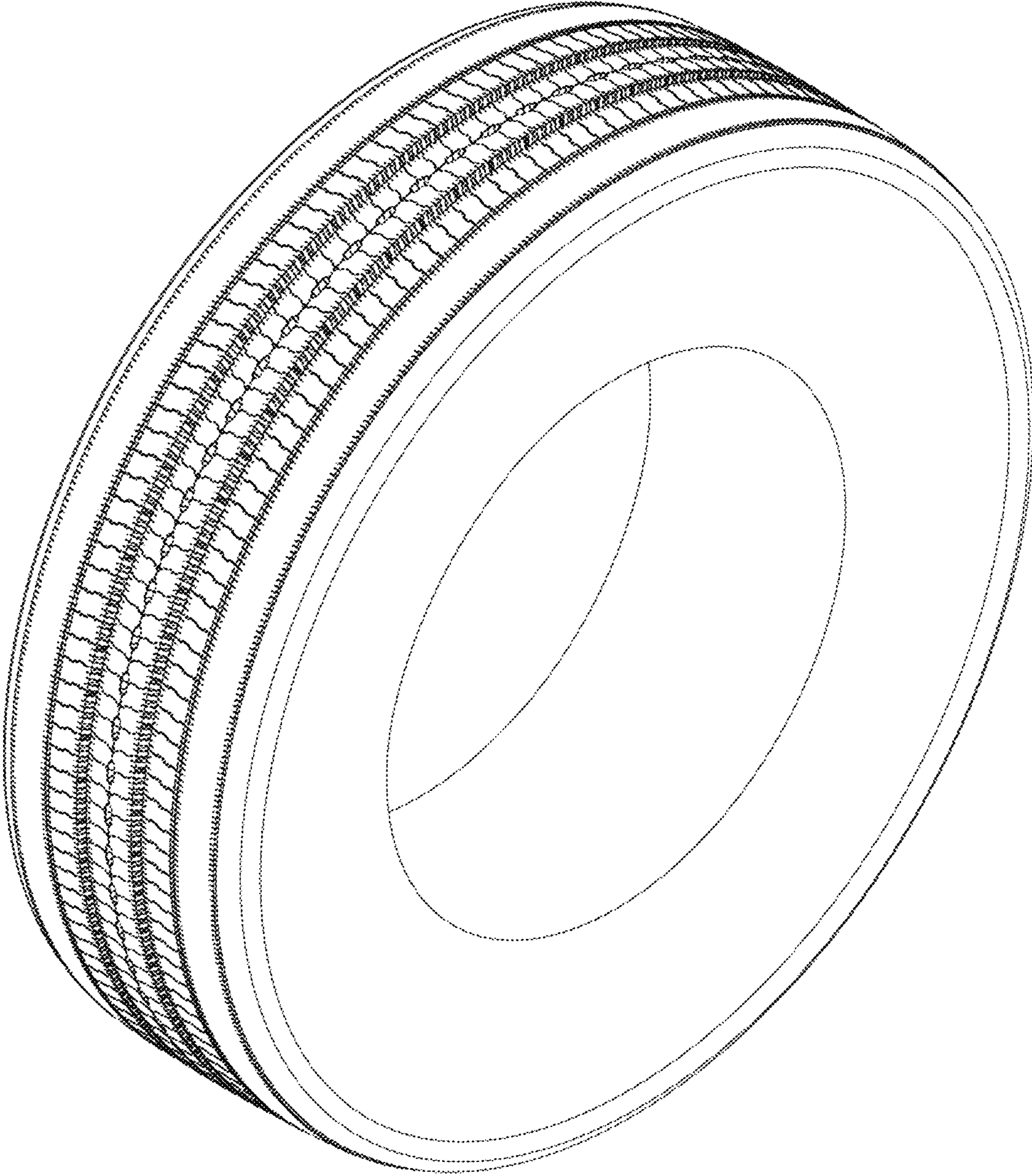


FIG. 6

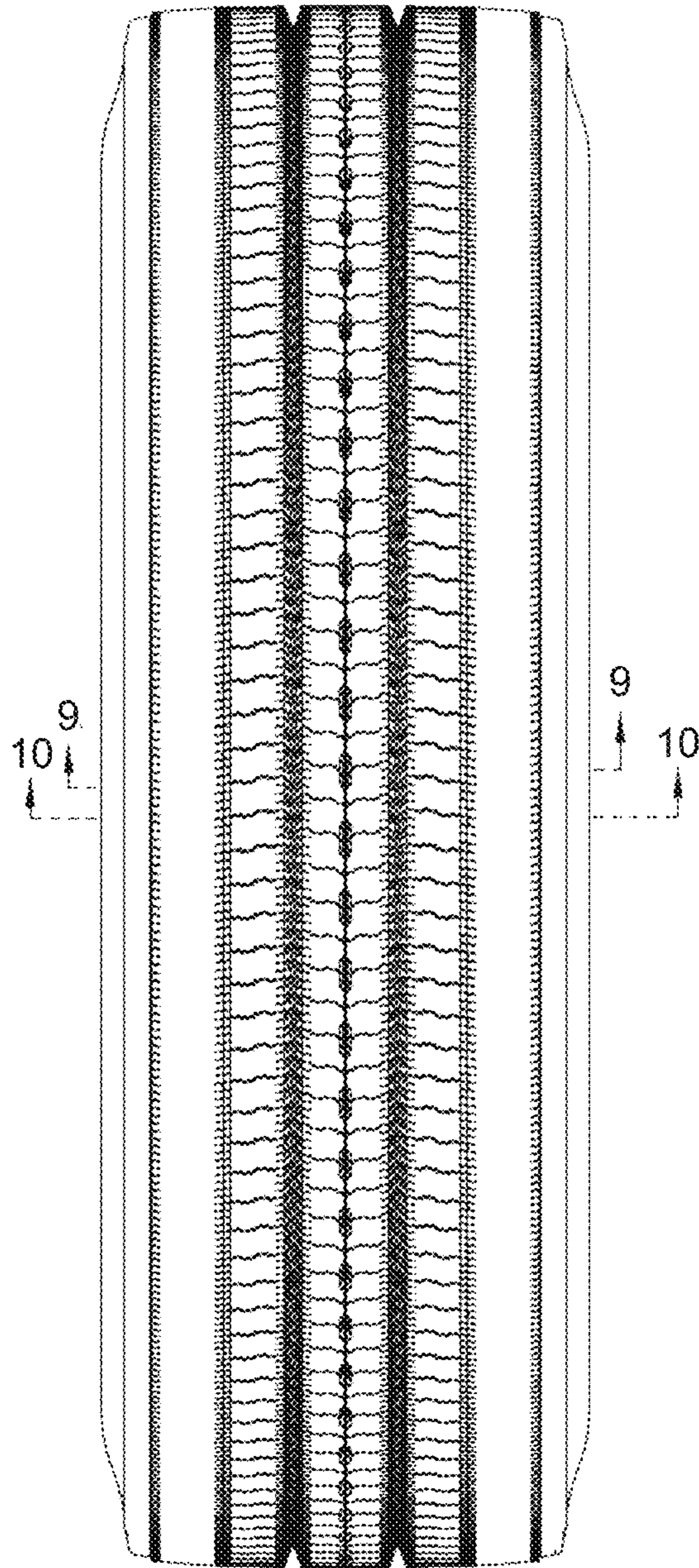


FIG. 7

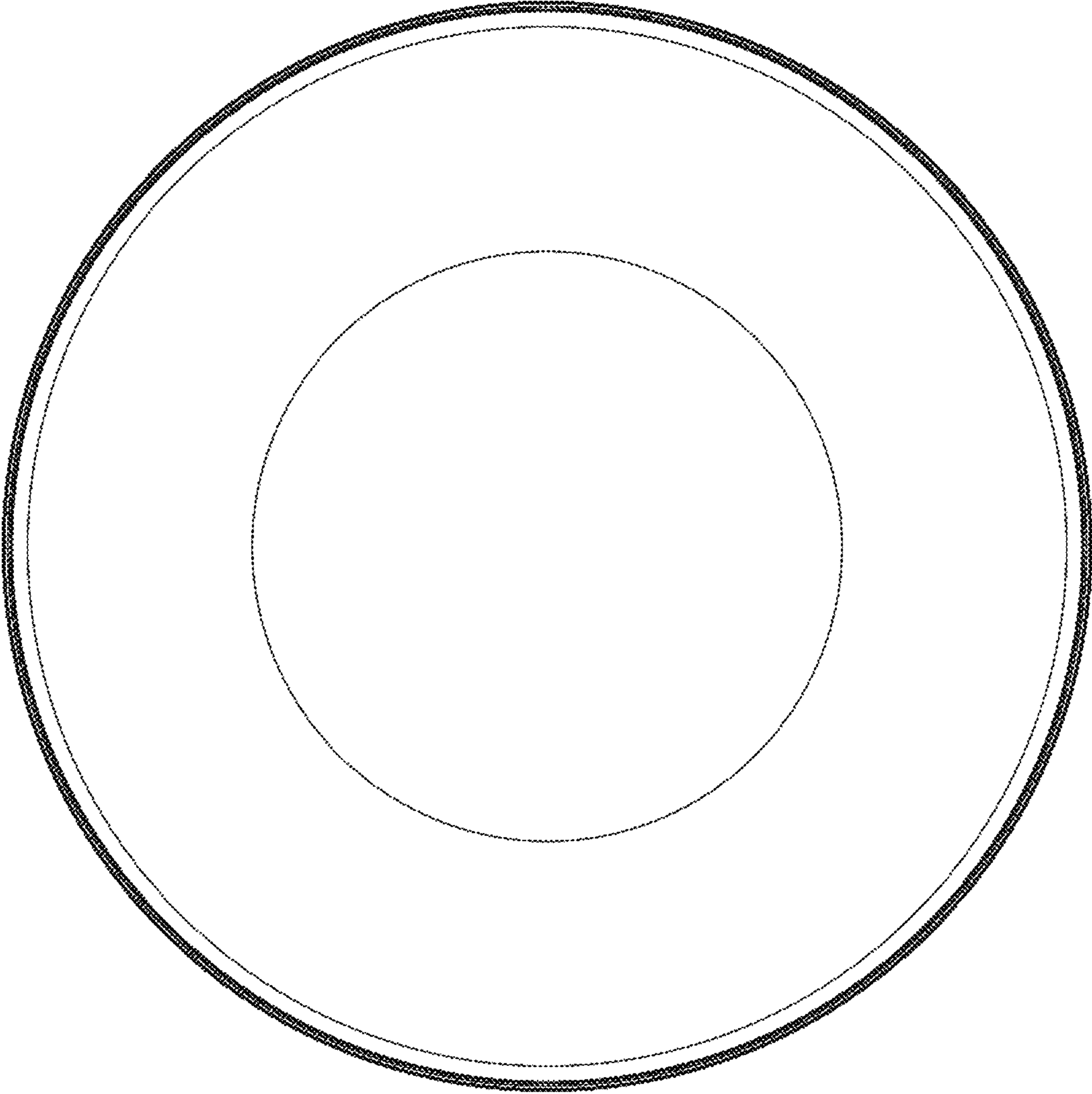


FIG. 8

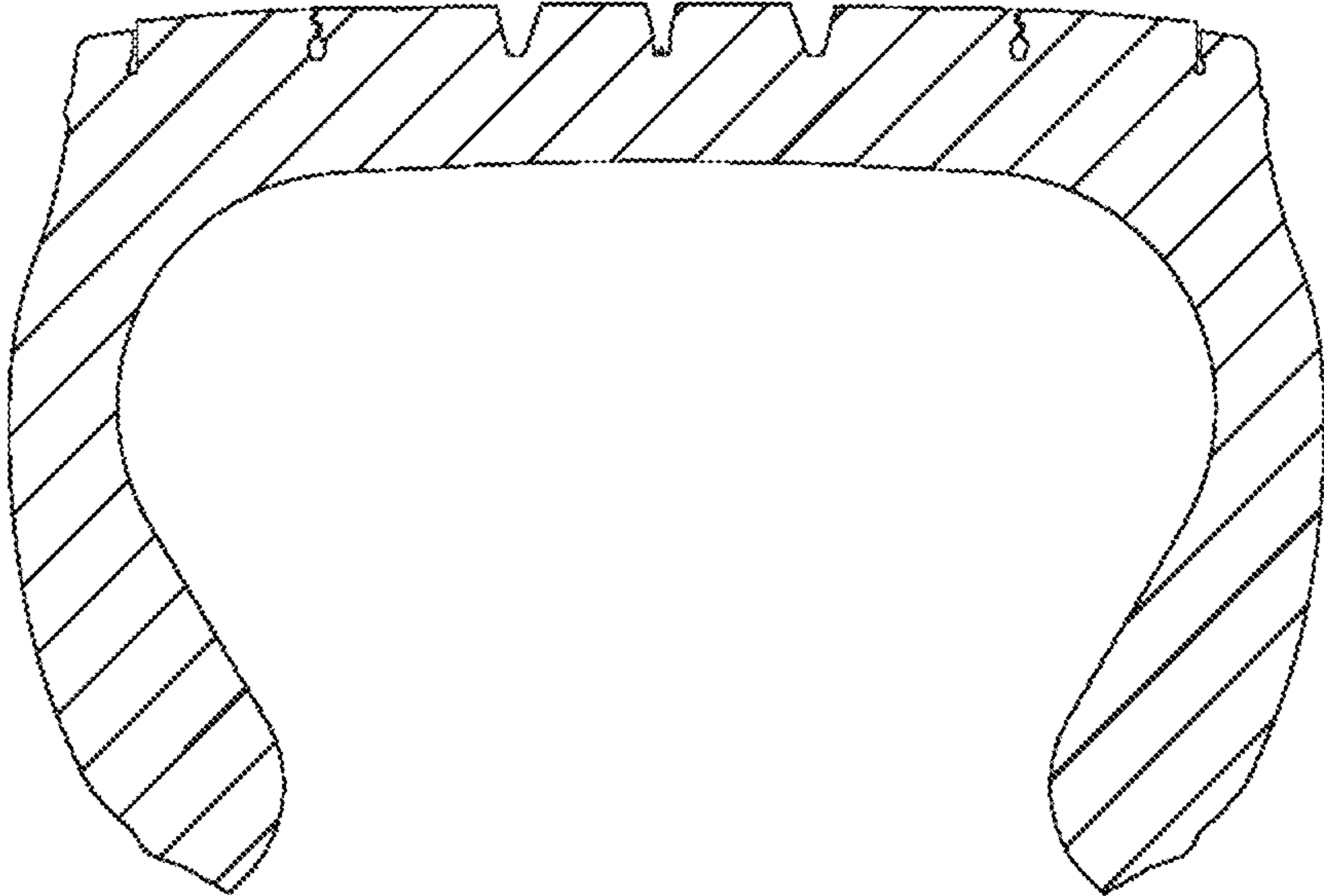


FIG. 9

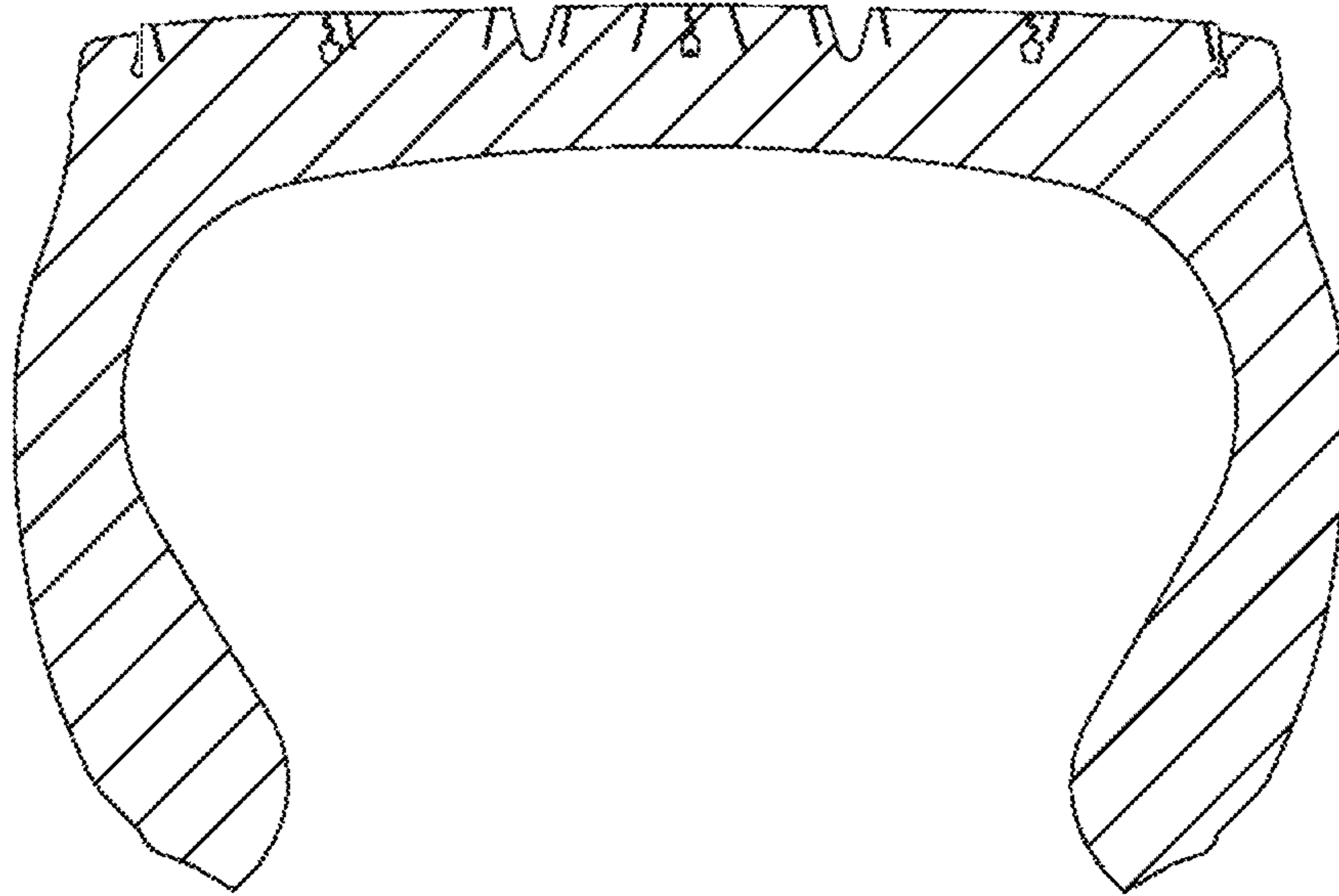


FIG. 10

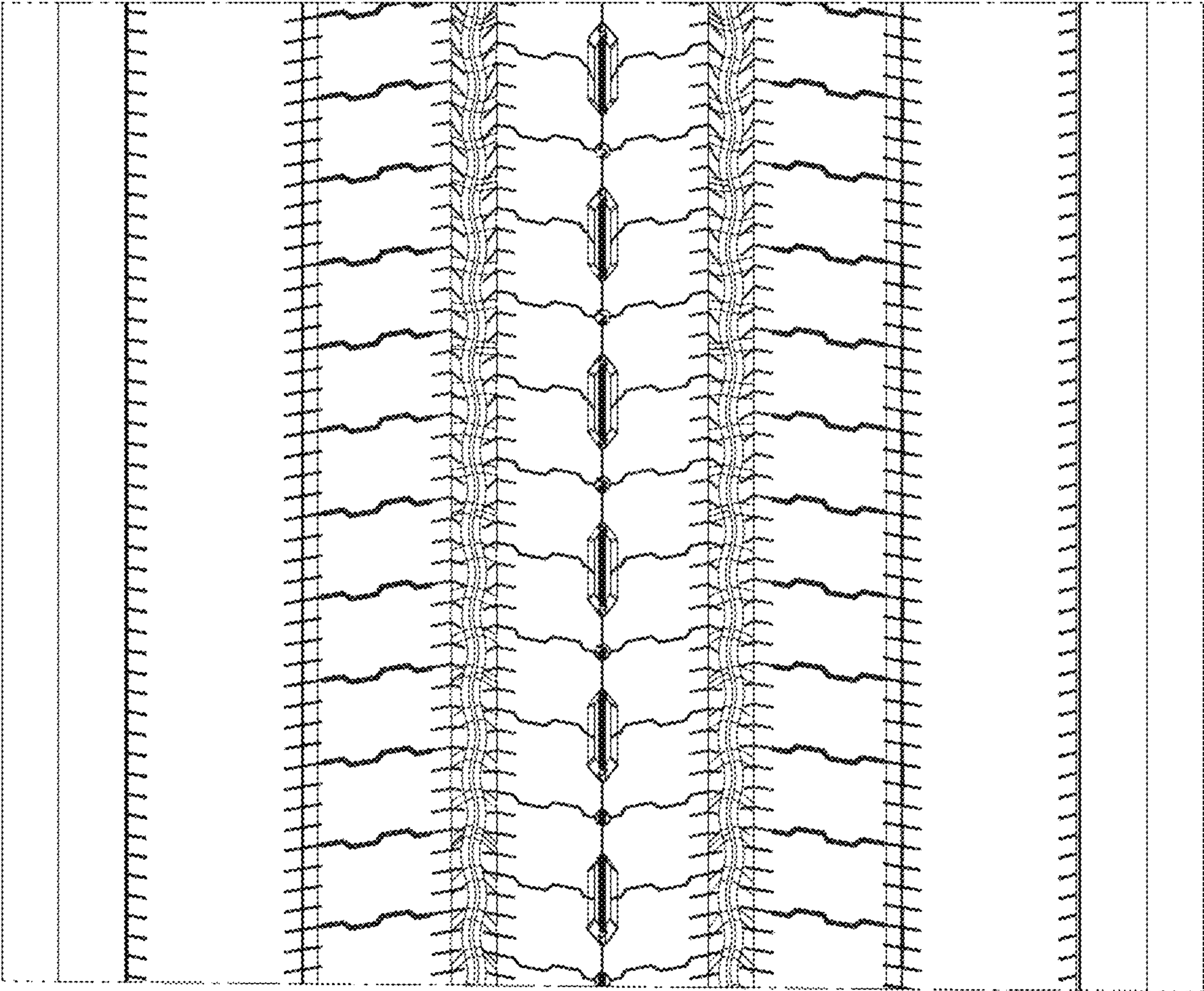


FIG. 11