

US00D931781S

(12) **United States Design Patent**
Zheng

(10) **Patent No.:** **US D931,781 S**

(45) **Date of Patent:** **** Sep. 28, 2021**

(54) **CAR DOOR STORAGE RACK**

(71) Applicant: **Jumei Zheng**, Wuhu (CN)

(72) Inventor: **Jumei Zheng**, Wuhu (CN)

(**) Term: **15 Years**

(21) Appl. No.: **29/753,186**

(22) Filed: **Sep. 30, 2020**

(51) **LOC (13) Cl.** **12-16**

(52) **U.S. Cl.**
USPC **D12/406**

(58) **Field of Classification Search**
USPC D12/401-414; D6/610-611, 552;
D3/304-306

CPC B60R 9/00; B60R 9/02; B60R 9/04; B60R
9/08; B60R 9/042; B60R 9/0423; B60R
9/0426; B60R 9/045; B60R 9/048; B60R
9/0485; B60R 9/05; B60R 9/052; B60R
9/055; B60R 9/058; B60R 9/06; B60R
9/065; B60R 9/10; B60R 9/12

See application file for complete search history.

(56) **References Cited**

U.S. PATENT DOCUMENTS

- 3,972,457 A * 8/1976 Kesler B60R 9/12
224/511
- D327,043 S * 6/1992 Ott D12/406
- 5,465,883 A * 11/1995 Woodward B60R 9/06
211/41.14
- D434,362 S * 11/2000 McCoy D12/406
- D434,363 S * 11/2000 McCoy D12/406

- D451,880 S * 12/2001 Adams D12/406
- 6,679,537 B1 * 1/2004 Putnam, Jr. B62J 17/04
211/18
- D527,508 S 8/2006 Monteith et al.
- D599,254 S * 9/2009 Butts D12/114
- D715,013 S 10/2014 Allen
- D830,947 S * 10/2018 Adler D12/406
- D834,495 S * 11/2018 Fenoglio D12/406
- D906,223 S * 12/2020 Larsson D12/406

* cited by examiner

Primary Examiner — Katrina A Betton

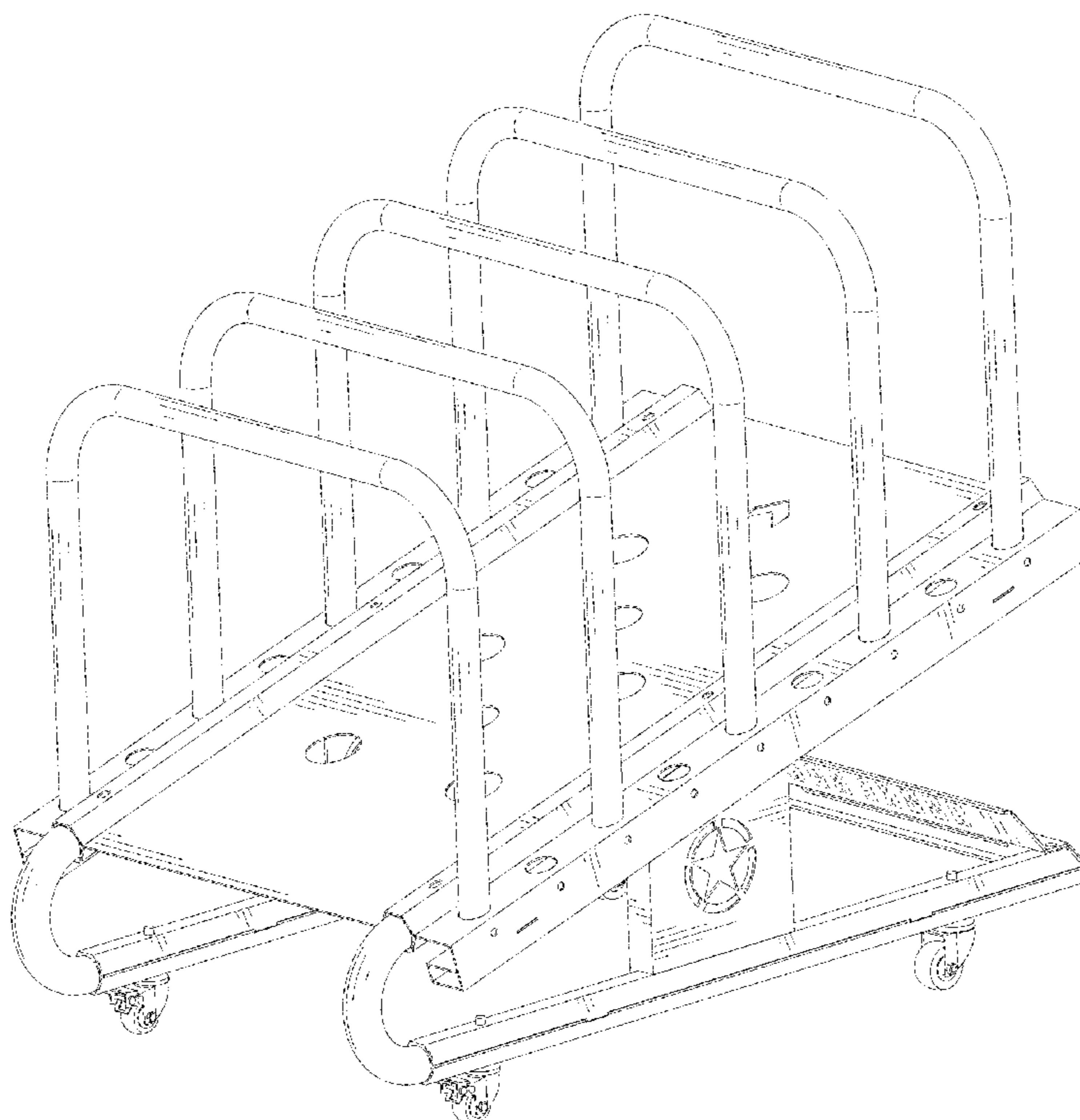
(57) **CLAIM**

The ornamental design for a car door storage rack, as shown and described.

DESCRIPTION

FIG. 1 is a perspective view of a car door storage rack showing my new design;
 FIG. 2 is another perspective view thereof;
 FIG. 3 is a front elevational view thereof;
 FIG. 4 is a rear elevational view thereof;
 FIG. 5 is a left side elevational view thereof;
 FIG. 6 is a right side elevational view thereof;
 FIG. 7 is a top plan view thereof; and,
 FIG. 8 is a bottom plan view thereof.
 The broken lines in the drawings depict portions of the car door storage rack that form no part of the claimed design.

1 Claim, 8 Drawing Sheets



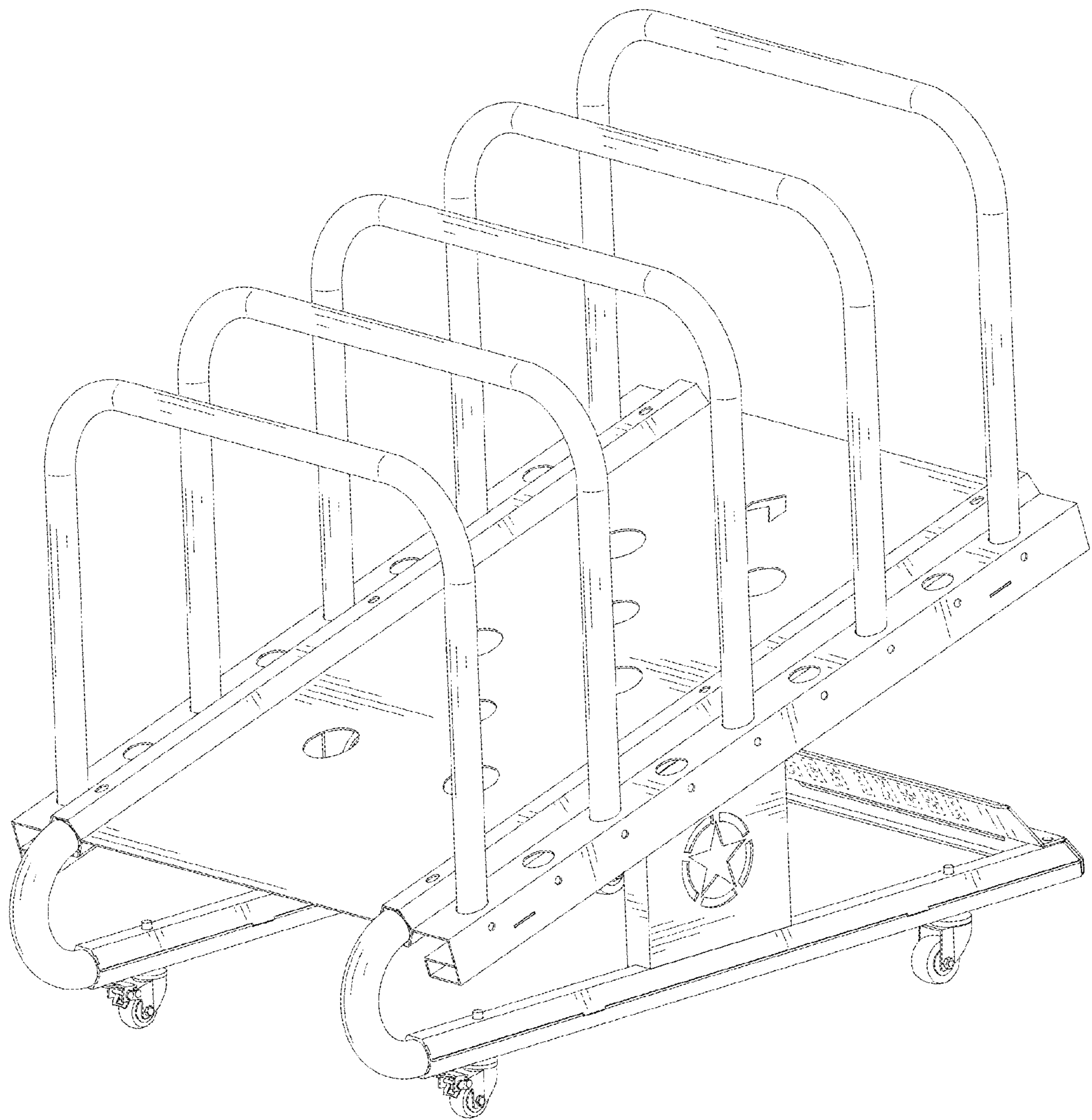


FIG. 1

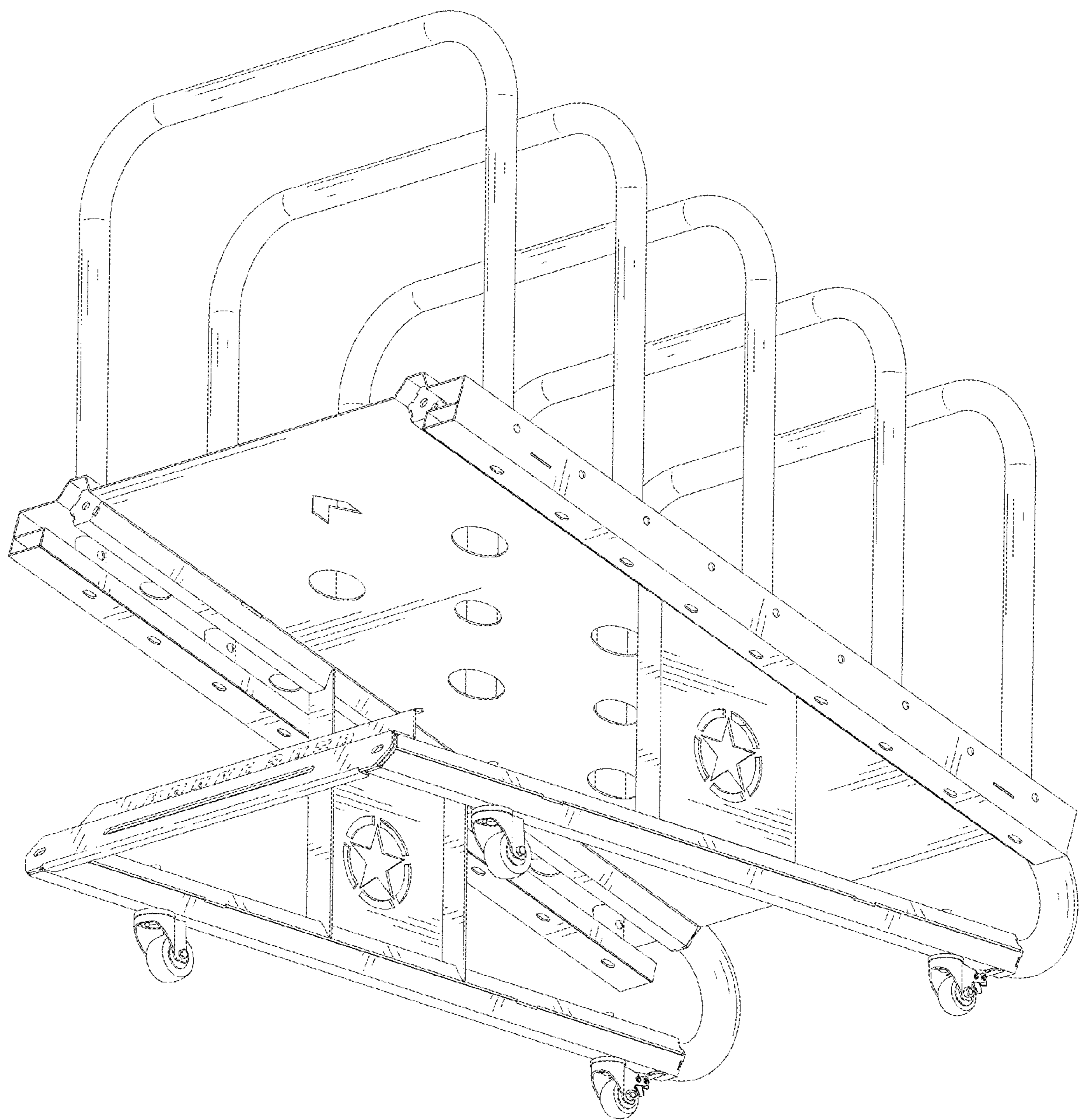


FIG. 2

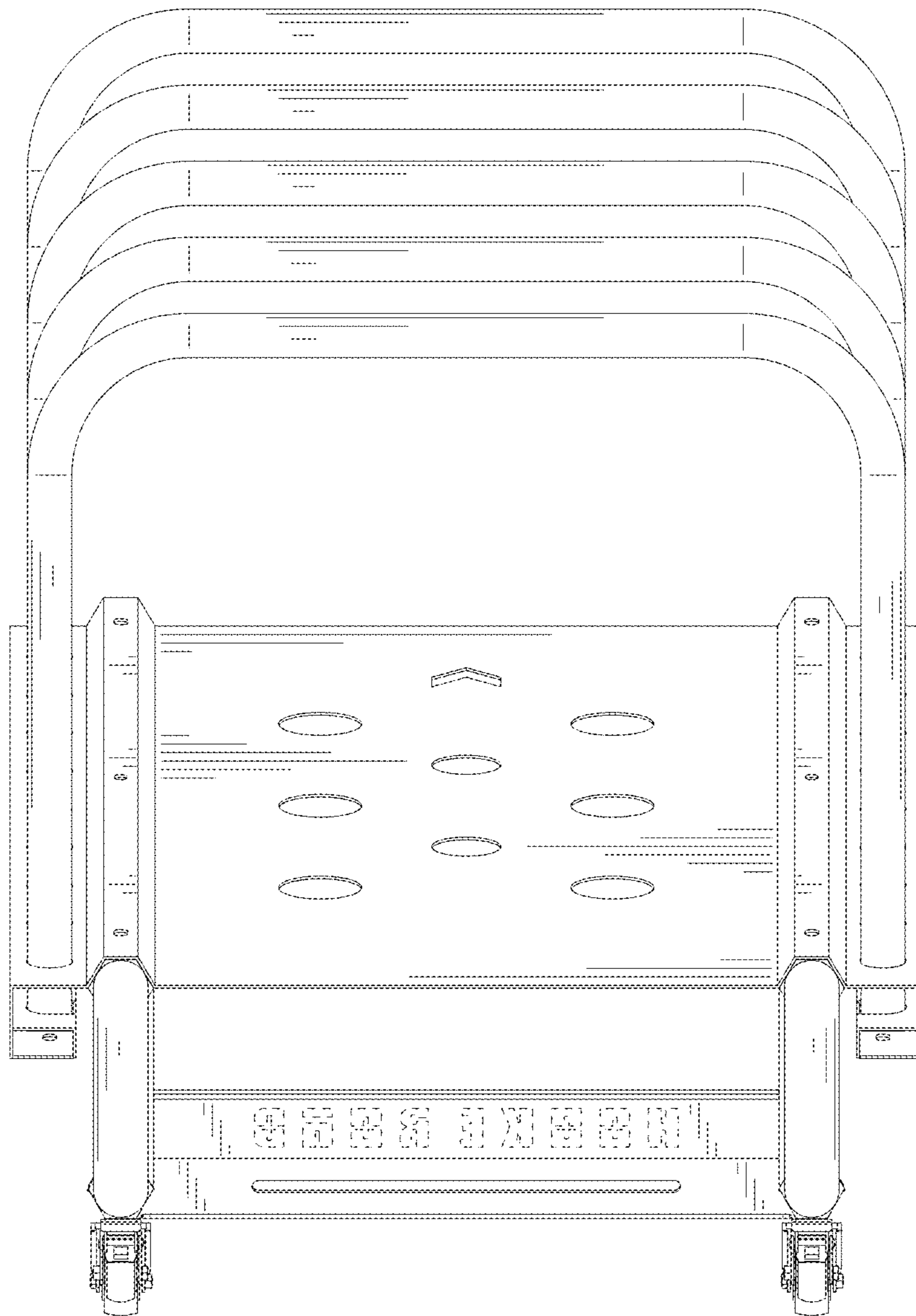


FIG. 3

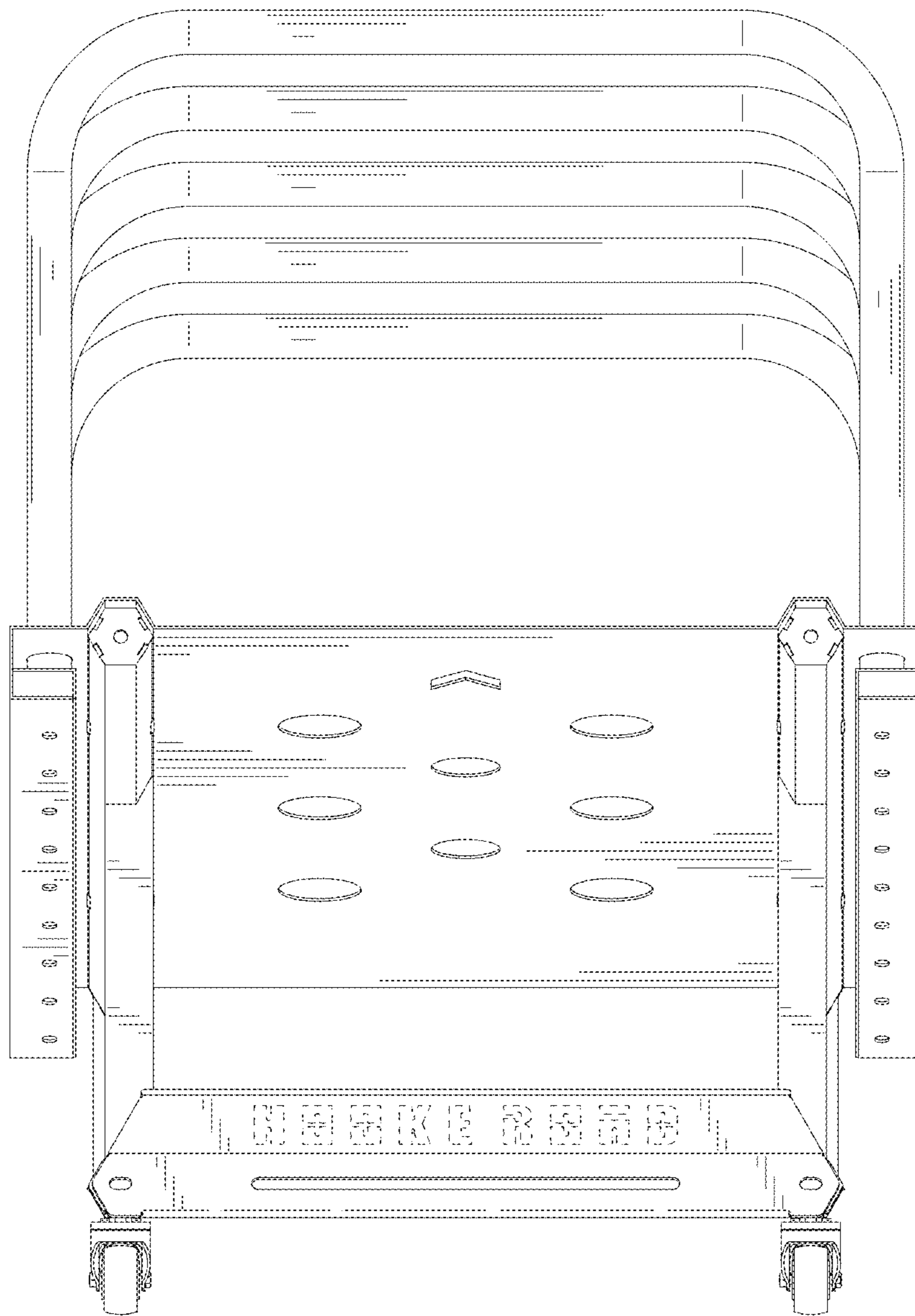


FIG. 4

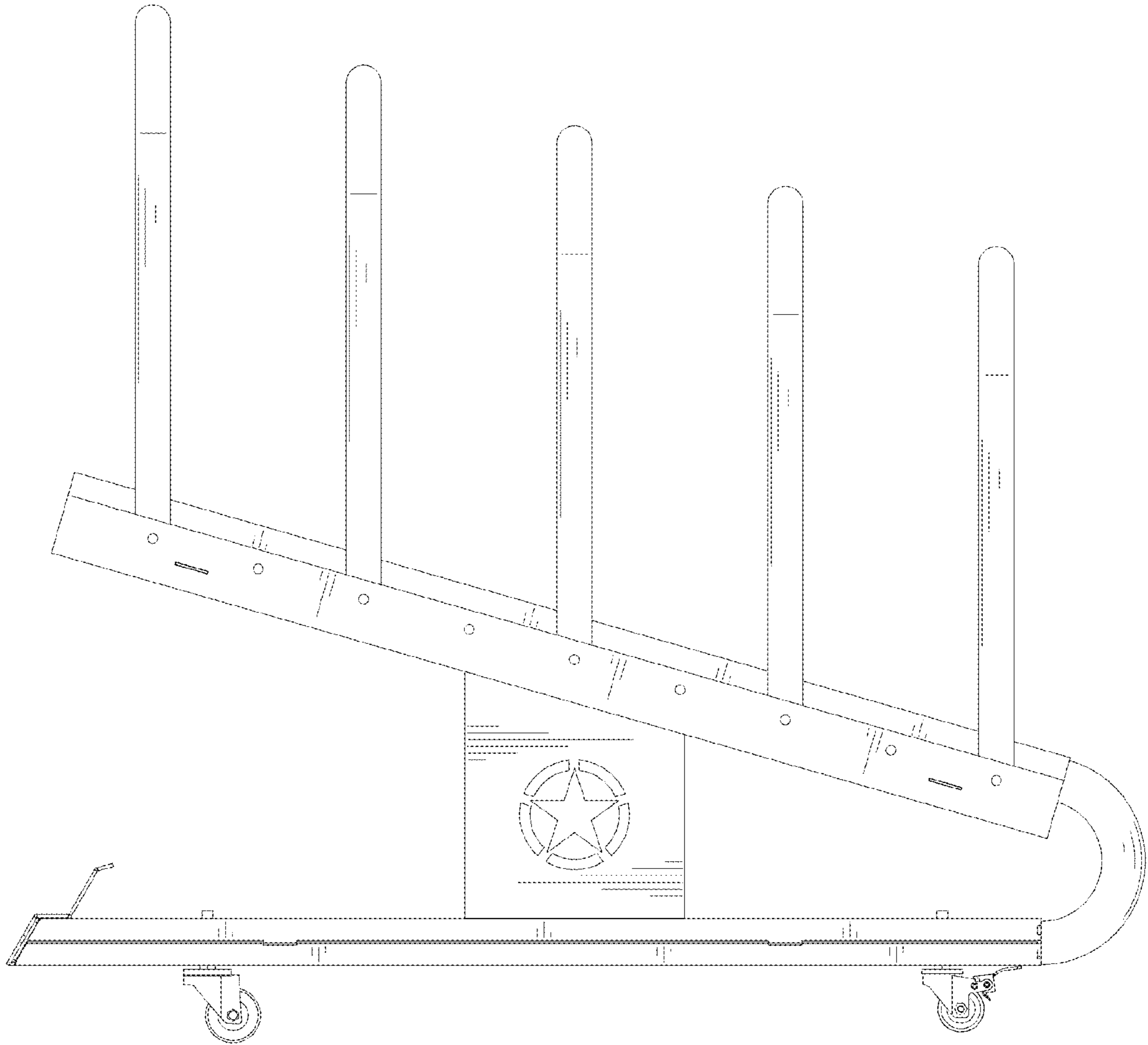


FIG. 5

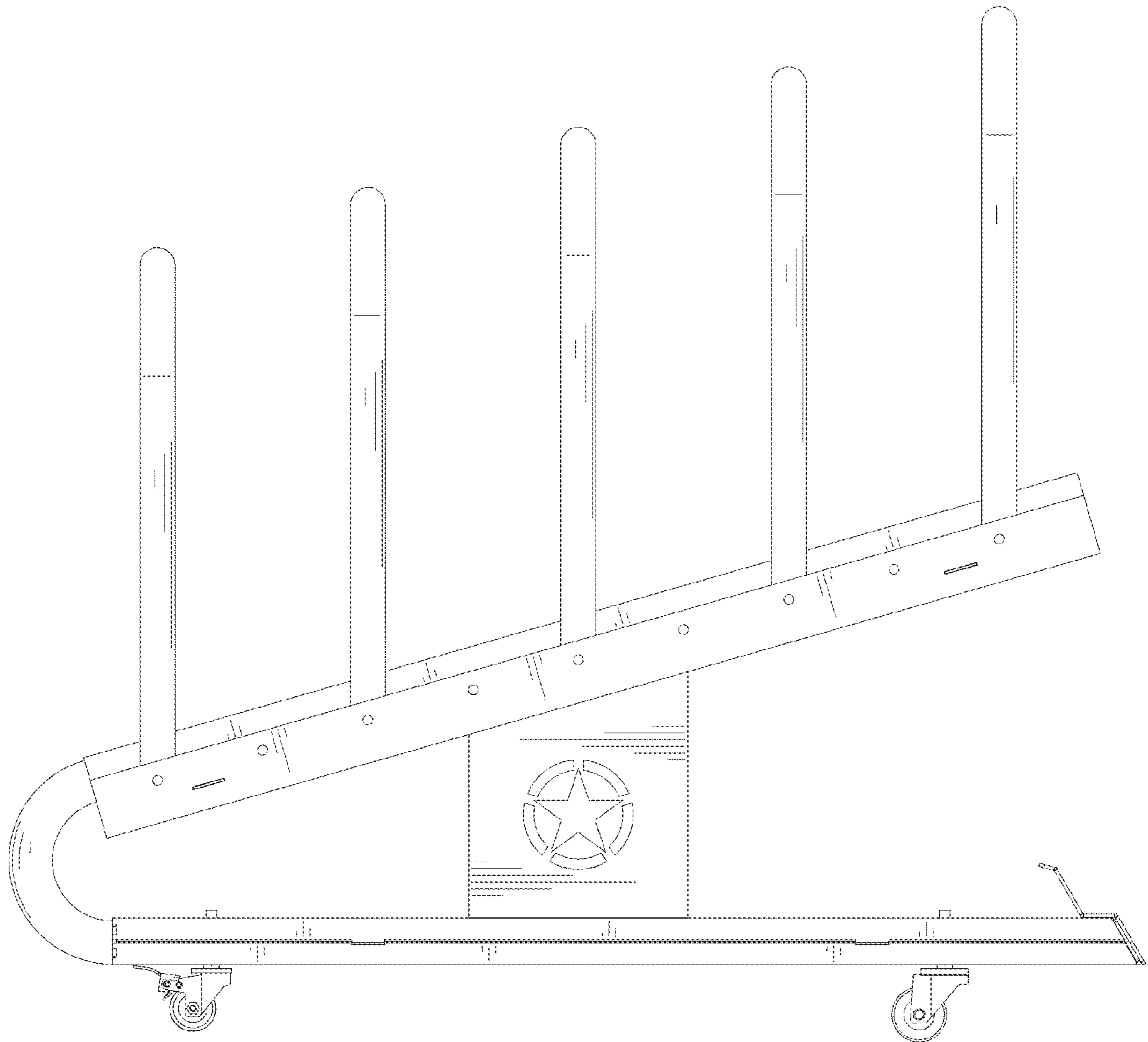


FIG. 6

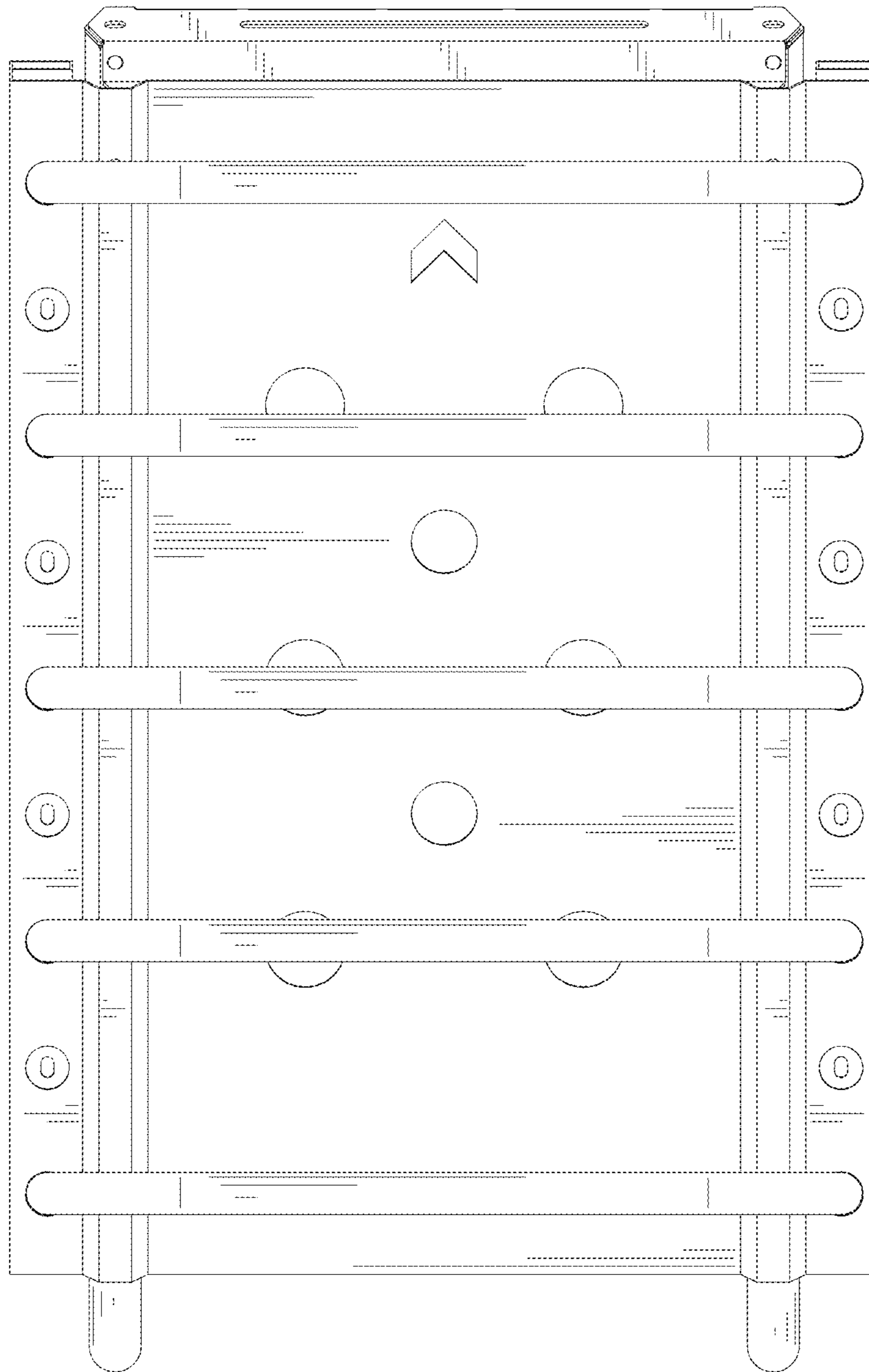


FIG. 7

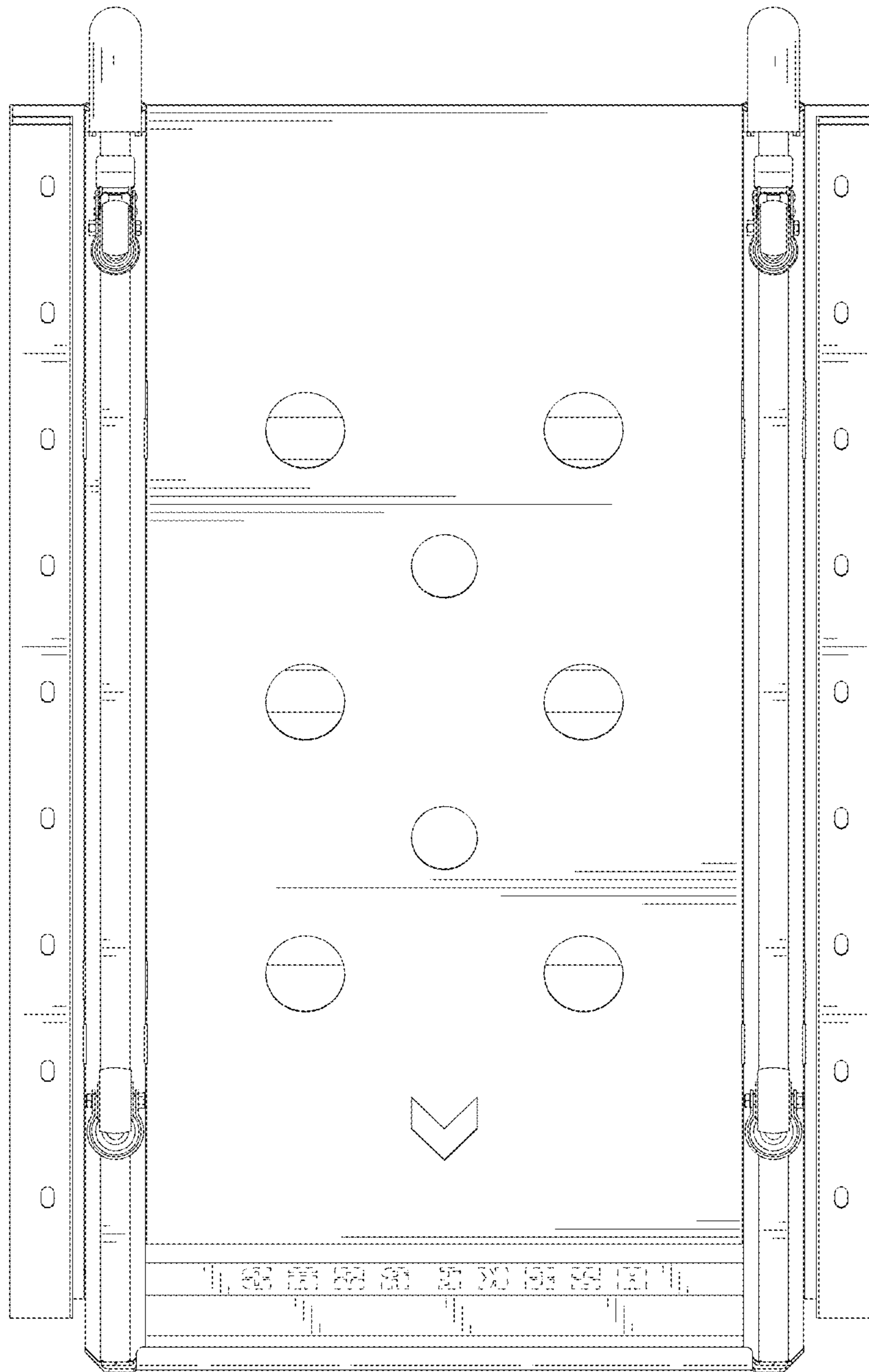


FIG. 8