



US00D931774S

(12) **United States Design Patent** (10) **Patent No.:** **US D931,774 S**  
**Shimizu** (45) **Date of Patent:** **\*\* Sep. 28, 2021**

(54) **STEERING WHEEL FOR AUTOMOBILE**

D881,090 S \* 4/2020 Braun ..... D12/176  
D906,198 S \* 12/2020 Tomasson ..... D12/176  
D910,510 S \* 2/2021 Sandys ..... D12/176

(71) Applicant: **Honda Motor Co., Ltd.**, Tokyo (JP)

(72) Inventor: **Yosuke Shimizu**, Wako (JP)

(73) Assignee: **HONDA MOTOR CO., LTD.**, Tokyo (JP)

**FOREIGN PATENT DOCUMENTS**

JP D1574032 10/2017  
PK 17669-D 11/2015  
PK 18041-D 4/2017

(\*\*) Term: **15 Years**

**OTHER PUBLICATIONS**

(21) Appl. No.: **29/734,782**

Notice of Refusal in Japanese Design Application No. 2019-026391, dated Feb. 26, 2020 by the Japanese Patent Office.  
Office Action dated Mar. 17, 2021 in corresponding Pakistan Application No. 20398-D, Government of Pakistan, IPO, The Patent Office, Karachi.

(22) Filed: **May 15, 2020**

(30) **Foreign Application Priority Data**

Nov. 28, 2019 (JP) ..... 2019-026391

\* cited by examiner

(51) **LOC (13) Cl.** ..... **12-16**

*Primary Examiner* — Melody N Brown

(52) **U.S. Cl.**  
USPC ..... **D12/176**

(74) *Attorney, Agent, or Firm* — Plumsea Law Group, LLC

(58) **Field of Classification Search**  
USPC ..... D12/175, 176, 177; 74/552, 558, 558.5  
CPC ..... B60R 21/203; B60R 21/05; B62D 1/04  
See application file for complete search history.

(57) **CLAIM**

The ornamental design for a steering wheel for automobile, as shown and described.

(56) **References Cited**

**DESCRIPTION**

**U.S. PATENT DOCUMENTS**

D709,006 S \* 7/2014 Busse ..... D12/176  
D741,759 S \* 10/2015 Persson ..... D12/176  
D772,124 S \* 11/2016 Lee ..... D12/176  
D786,153 S \* 5/2017 Callum ..... D12/176  
D787,390 S \* 5/2017 Kanda ..... D12/176  
D797,621 S \* 9/2017 Ogawa ..... D12/176  
D798,205 S \* 9/2017 Kim ..... D12/176  
D798,206 S \* 9/2017 Sjogren ..... D12/176  
D848,913 S \* 5/2019 Sjogren ..... D12/176  
D853,911 S \* 7/2019 Miyamoto ..... D12/176  
D875,000 S \* 2/2020 Watola ..... D12/176  
D878,981 S \* 3/2020 Maurer ..... D12/176  
D880,383 S \* 4/2020 Kim ..... D12/176  
D881,089 S \* 4/2020 Sham ..... D12/176

FIG. 1 is a right, front perspective view of a steering wheel for automobile showing my new design;  
FIG. 2 is a right, rear perspective view thereof;  
FIG. 3 is a front view thereof.  
FIG. 4 is a rear view thereof.  
FIG. 5 is a right side view thereof.  
FIG. 6 is a left side view thereof.  
FIG. 7 is a top view thereof; and,  
FIG. 8 is a bottom view thereof.

The broken lines shown in the drawings illustrate portions of the steering wheel for automobile that form no part of the claimed design.

**1 Claim, 8 Drawing Sheets**

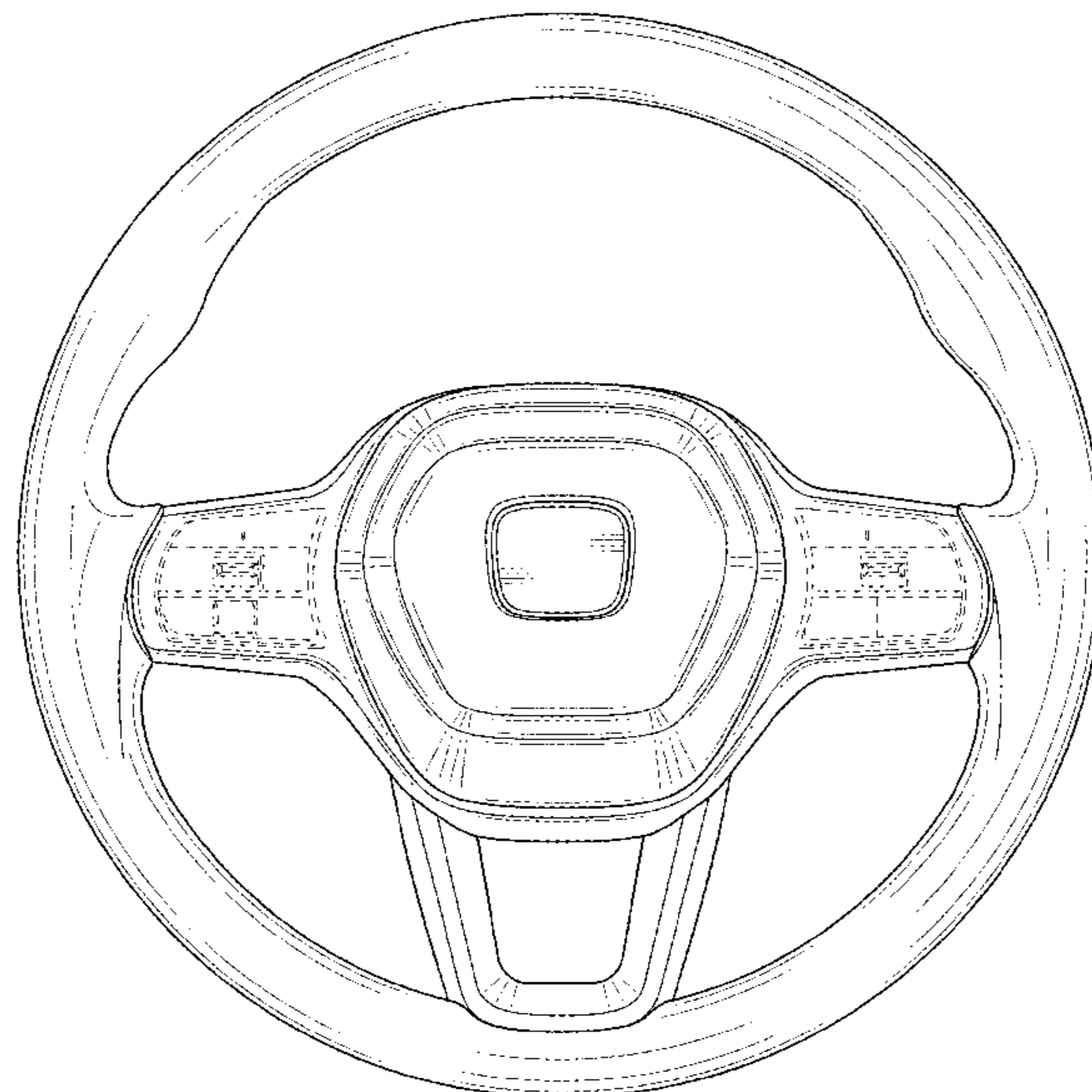


FIG. 1

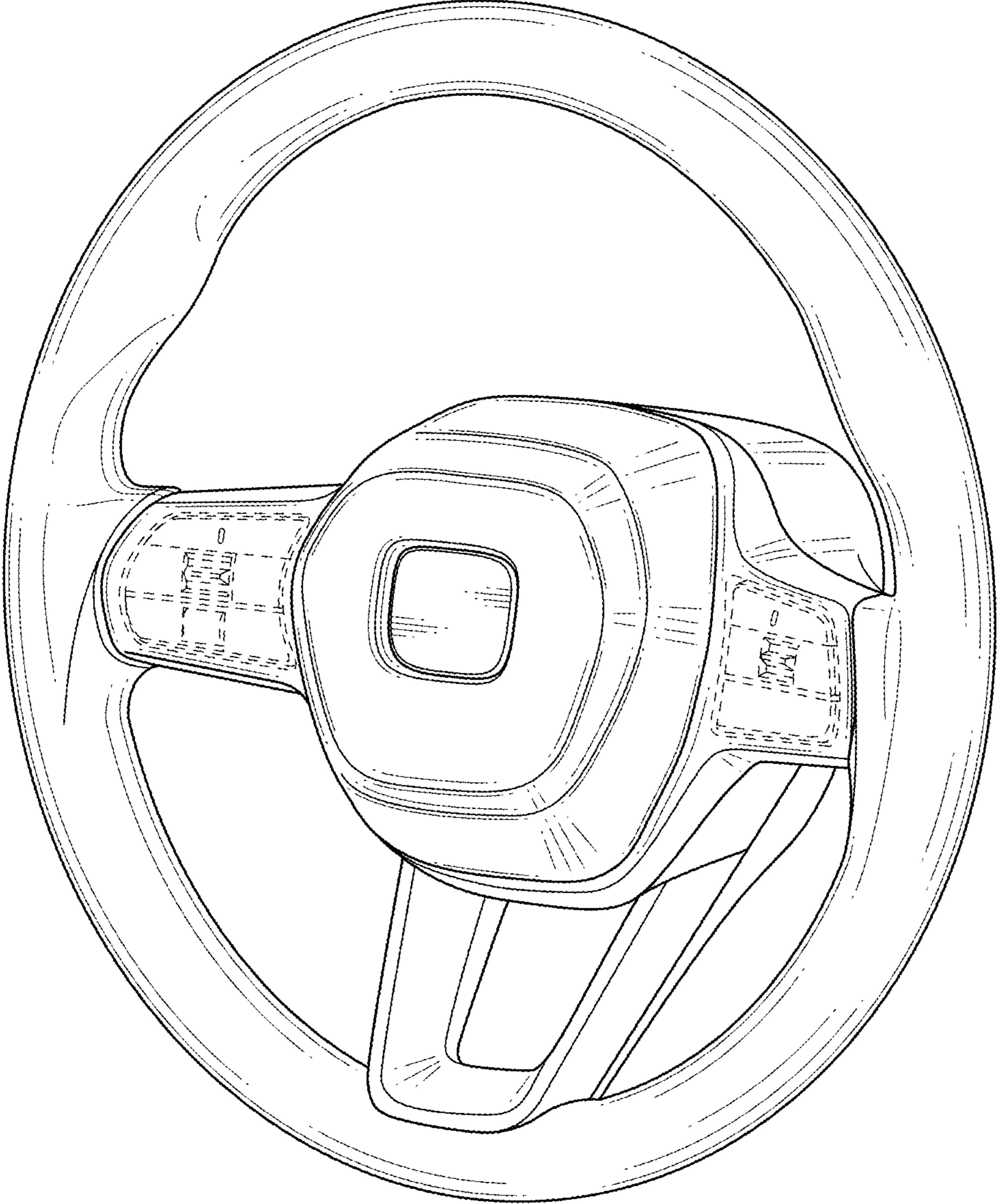


FIG. 2

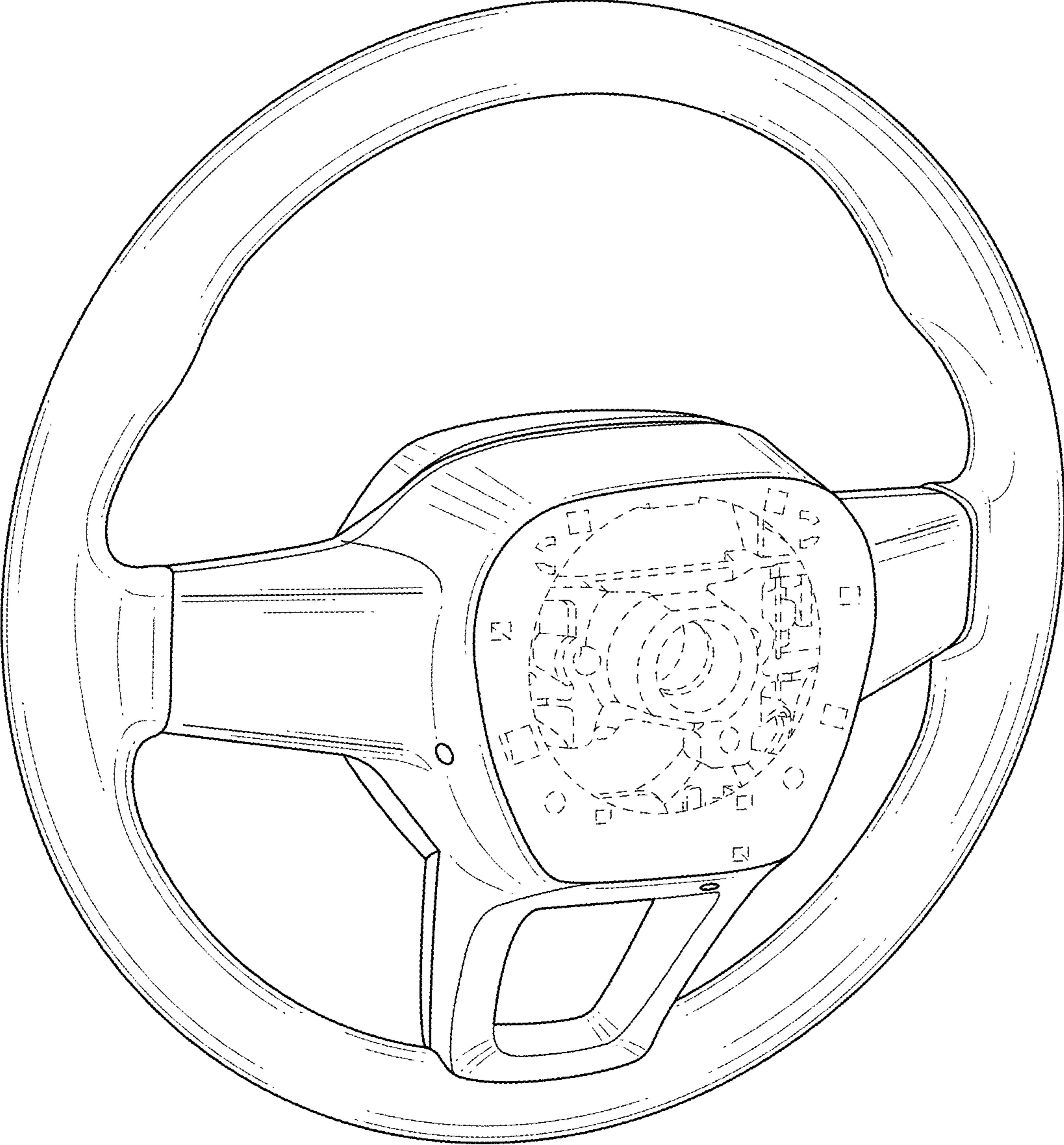


FIG. 3

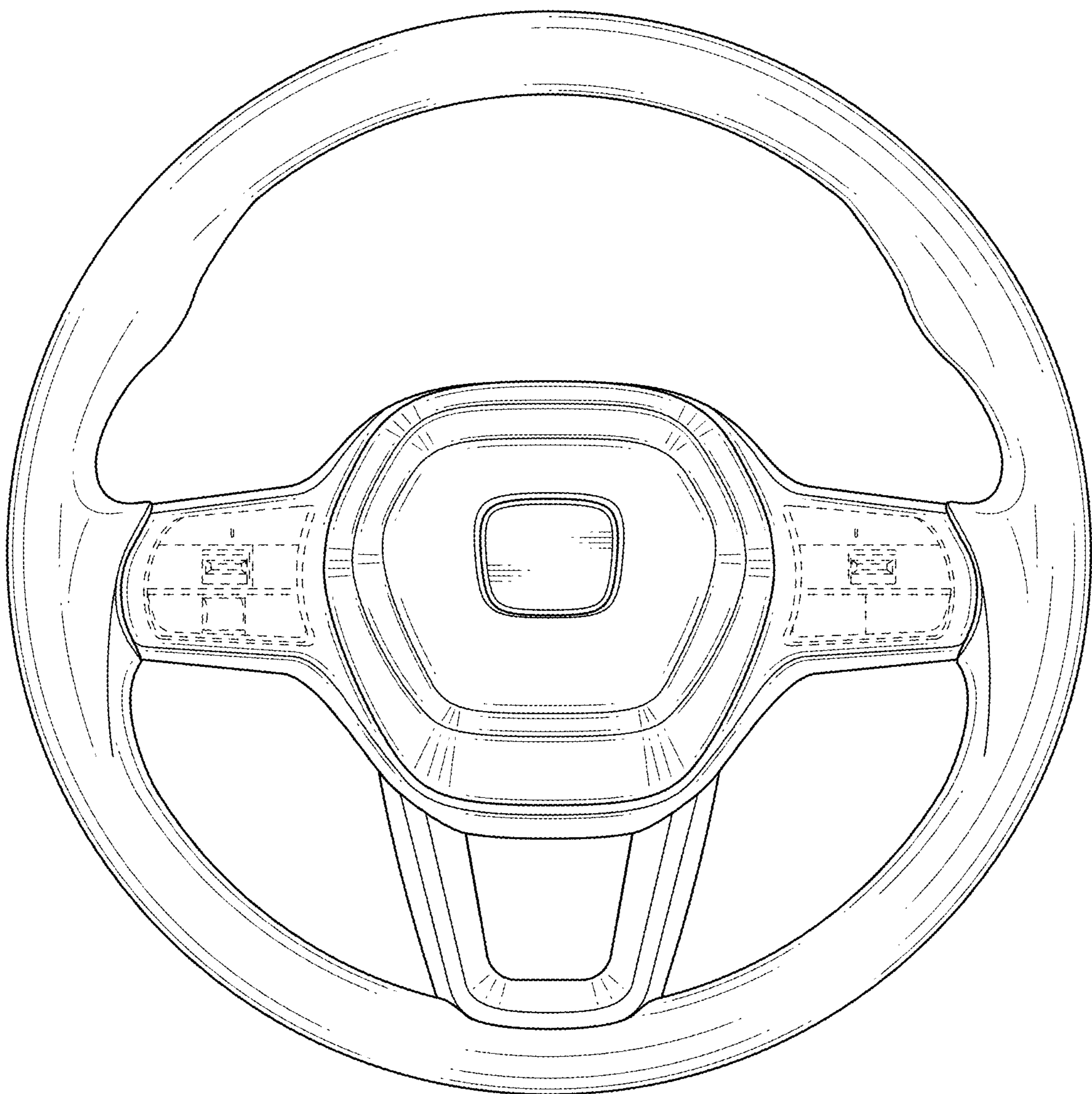


FIG. 4

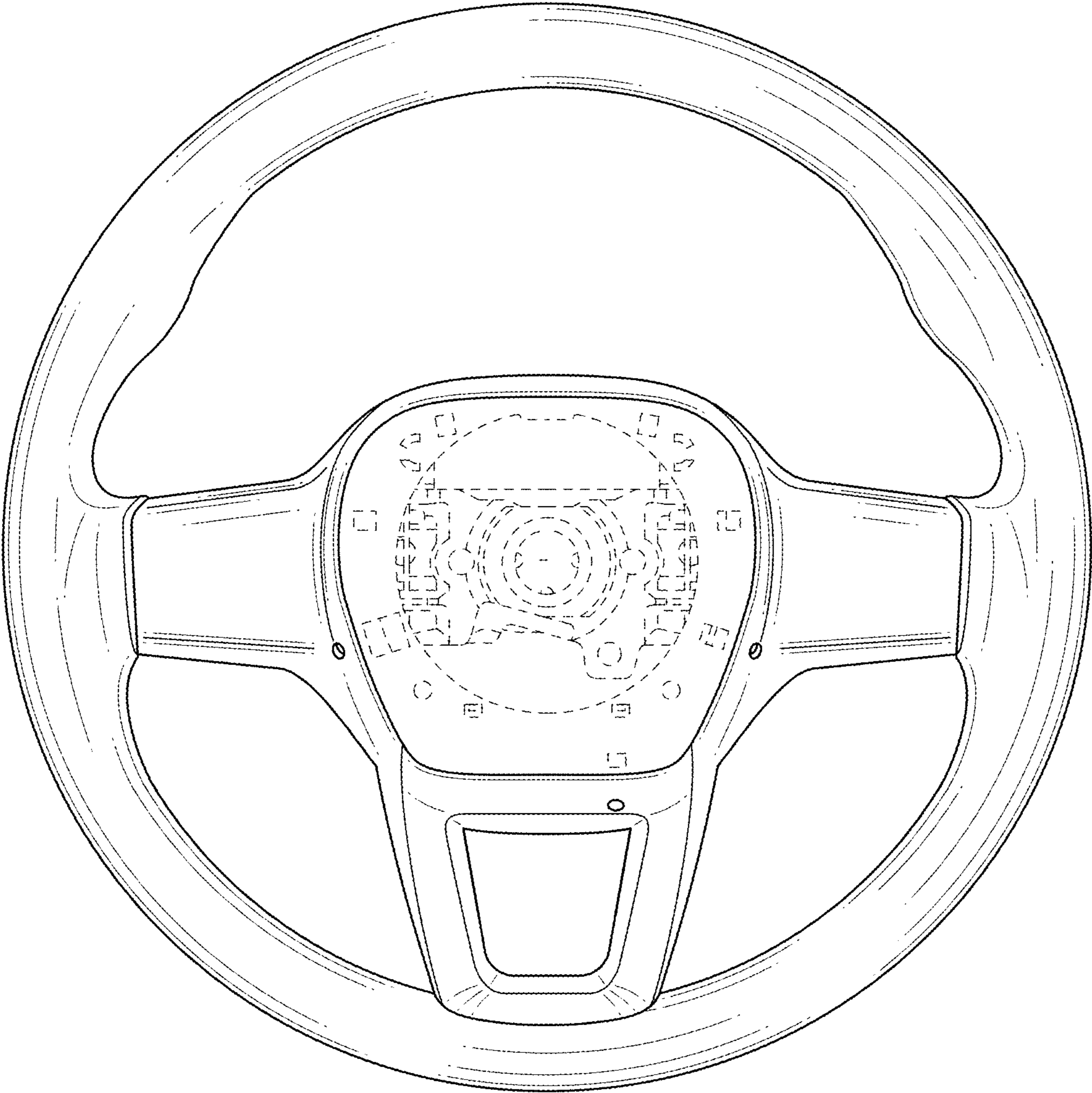


FIG. 5

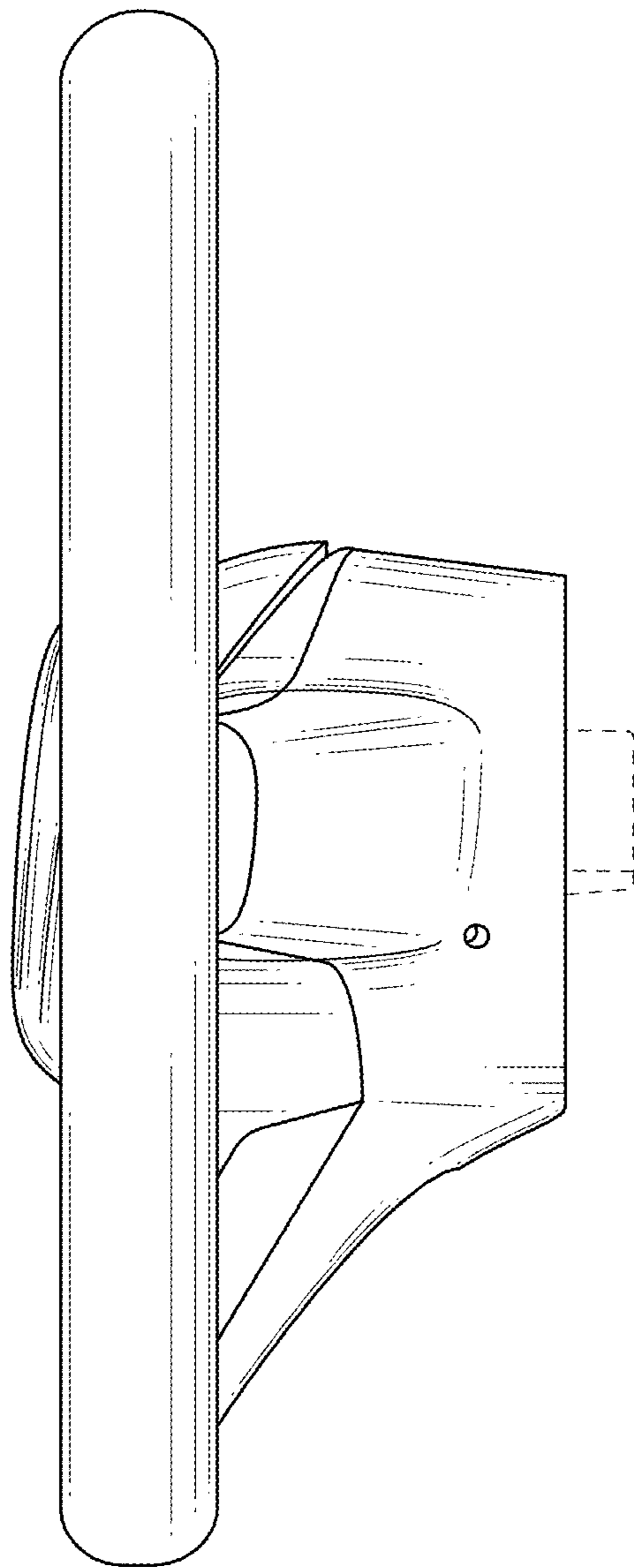


FIG. 6

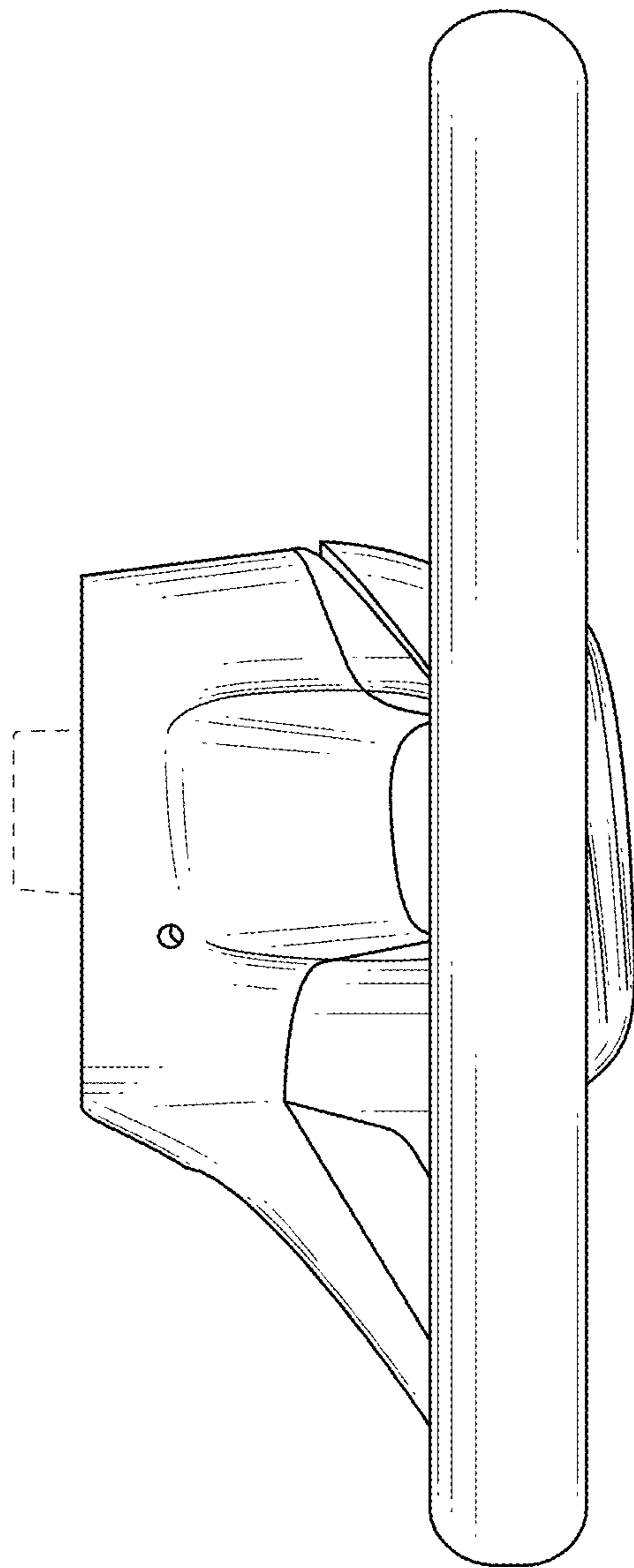


FIG. 7

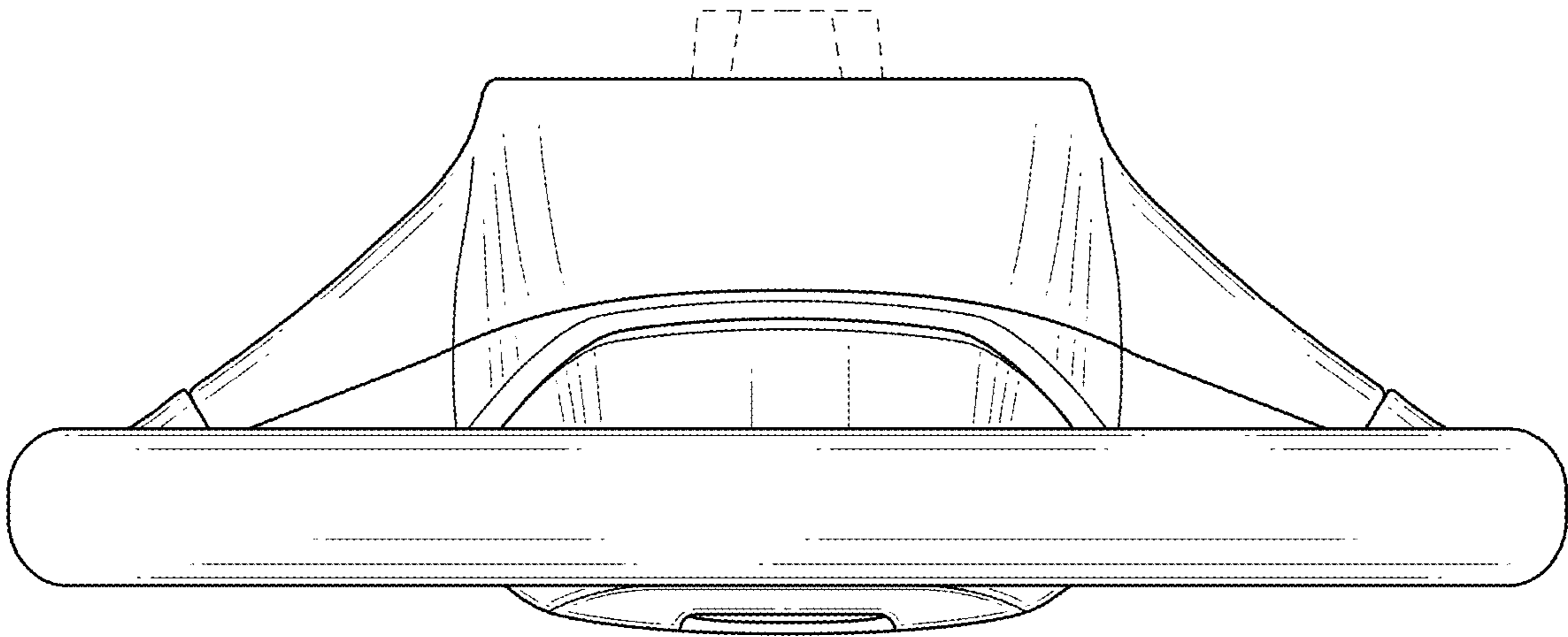




FIG. 8

