



US00D931773S

(12) **United States Design Patent** (10) **Patent No.:** **US D931,773 S**
Schell (45) **Date of Patent:** **** Sep. 28, 2021**

(54) **VEHICLE REAR BUMPER**
(71) Applicant: **VOLKSWAGEN AKTIENGESELLSCHAFT, Wolfsburg (DE)**
(72) Inventor: **Felix Schell, Wolfsburg (DE)**
(73) Assignee: **VOLKSWAGEN AKTIENGESELLSCHAFT, Wolfsburg (DE)**
(**) Term: **15 Years**

D840,883 S * 2/2019 Cartabiano D12/169
D841,537 S * 2/2019 Morikawa D12/169
D856,224 S * 8/2019 Nissl D12/169
D856,376 S * 8/2019 Soe D15/22
D856,872 S * 8/2019 Smith D12/169
D866,418 S * 11/2019 Peplowski D12/169
D867,234 S * 11/2019 Peplowski D12/169
D870,611 S * 12/2019 Tonello D12/169
D887,916 S * 6/2020 Toriyama D12/169
D890,651 S * 7/2020 Peplowski D12/169
D909,930 S * 2/2021 Patel D12/169
D911,228 S * 2/2021 Guille D12/169
D911,230 S * 2/2021 Wietrzychowski D12/169
D914,555 S * 3/2021 Bischoff D12/169
D915,249 S * 4/2021 Bischoff D12/169
D927,373 S * 8/2021 Lim D12/169

(21) Appl. No.: **29/752,166**

(22) Filed: **Sep. 25, 2020**

(30) **Foreign Application Priority Data**

May 20, 2020 (WO) WIPO94578

(51) **LOC (13) Cl.** **12-16**

(52) **U.S. Cl.**
USPC **D12/169**

(58) **Field of Classification Search**
USPC D12/169, 163, 196, 86, 90-92;
296/180.1, 180.2; 293/102, 113, 115,
293/117, 120

CPC B60R 19/52; B60R 2019/25; B62D 25/084
See application file for complete search history.

(56) **References Cited**

U.S. PATENT DOCUMENTS

D725,010 S * 3/2015 Takei D12/169
D782,373 S * 3/2017 Curic D12/169
D792,291 S * 7/2017 Suga D12/169
D800,034 S * 10/2017 Kojima D12/169
D802,500 S * 11/2017 Han D12/169
D824,817 S * 8/2018 Morikawa D12/169
D824,818 S * 8/2018 Morikawa D12/169
D826,113 S * 8/2018 Kanai D12/169

FOREIGN PATENT DOCUMENTS

WO DM096514 5/2017

* cited by examiner

Primary Examiner — Melody N Brown

(74) *Attorney, Agent, or Firm* — Lucas & Mercanti, LLP;
Klaus P. Stoffel

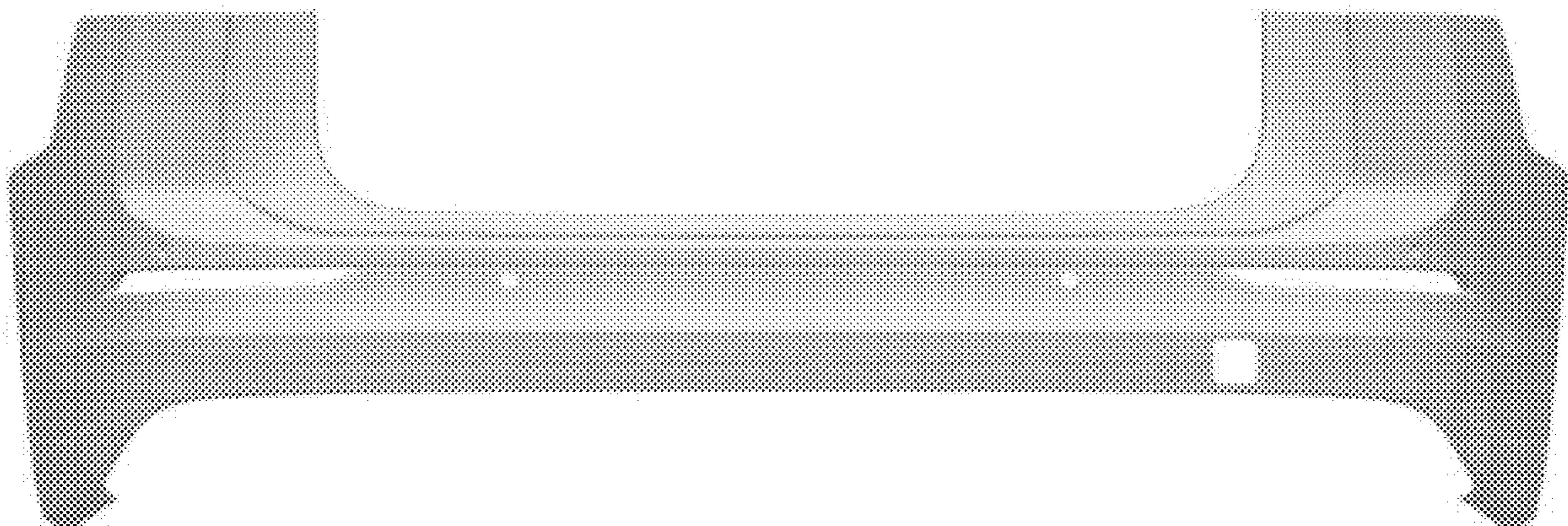
(57) **CLAIM**

The ornamental design for a vehicle rear bumper, as shown and described.

DESCRIPTION

FIG. 1 is a rear and left side perspective view of a vehicle rear bumper showing my new design;
FIG. 2 is a front and right side perspective view thereof;
FIG. 3 is a front view thereof;
FIG. 4 is a rear view thereof;
FIG. 5 is a left side view thereof;
FIG. 6 is a right side view thereof;
FIG. 7 is a top view thereof; and,
FIG. 8 is a bottom view thereof.

1 Claim, 8 Drawing Sheets



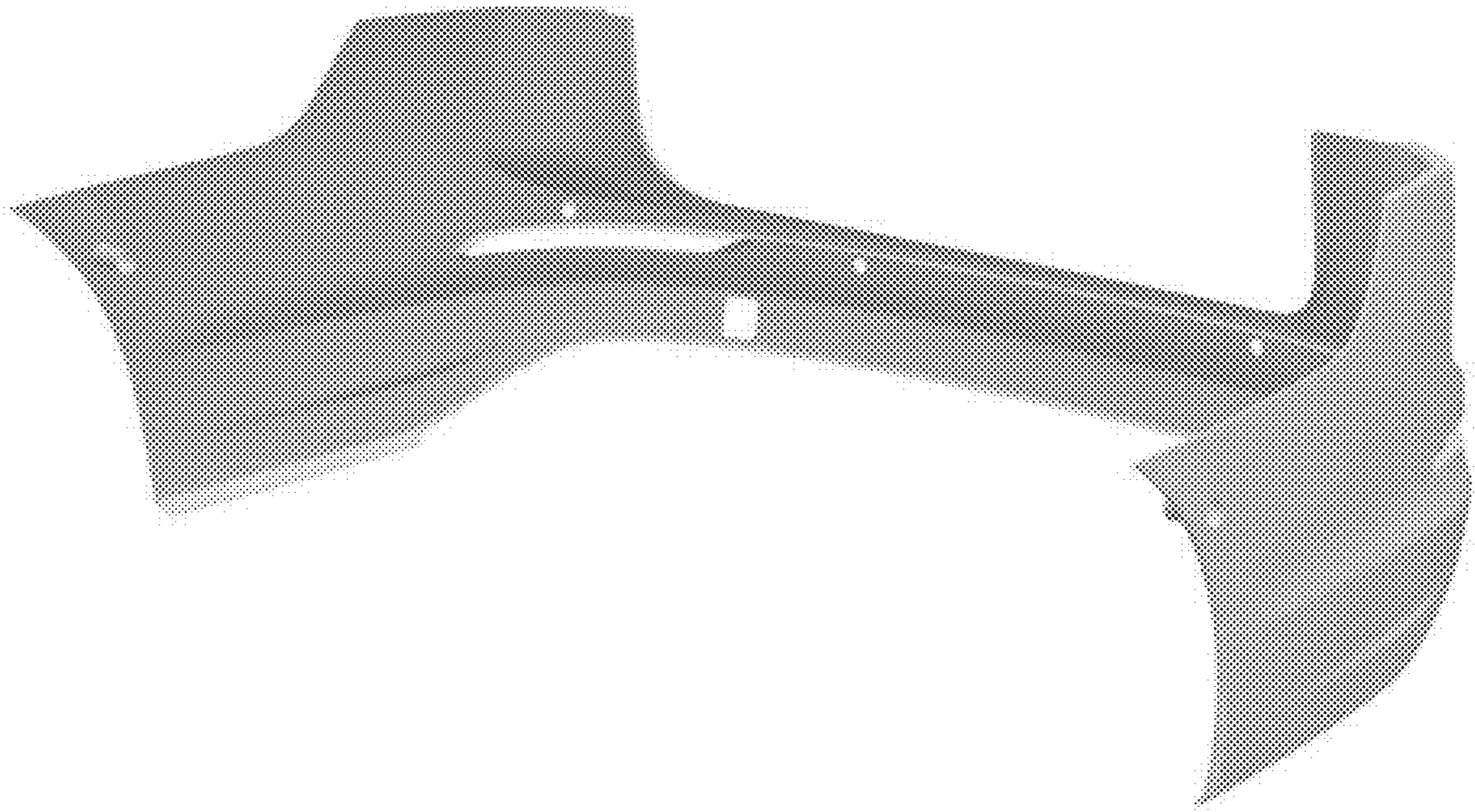


Fig. 1

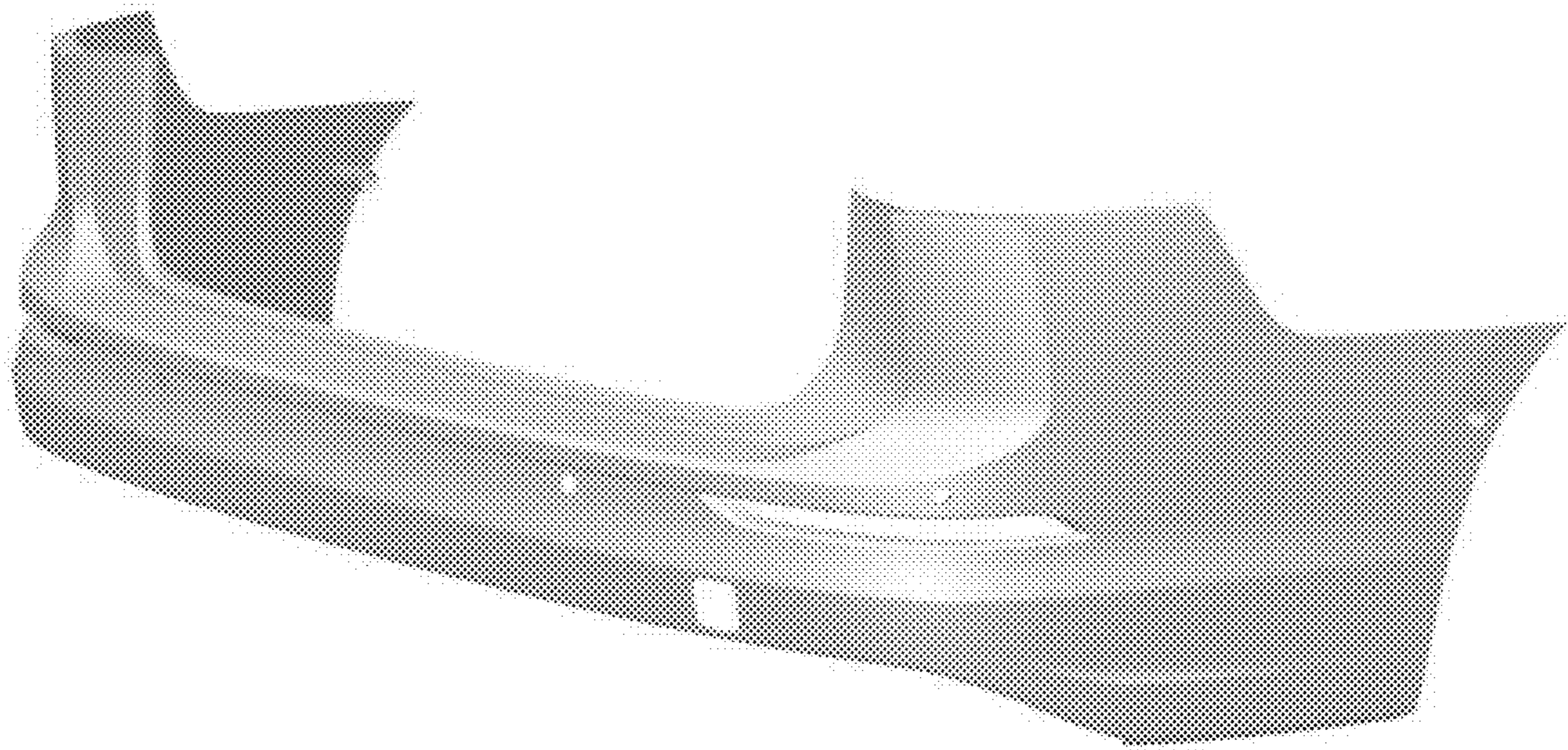


Fig. 2

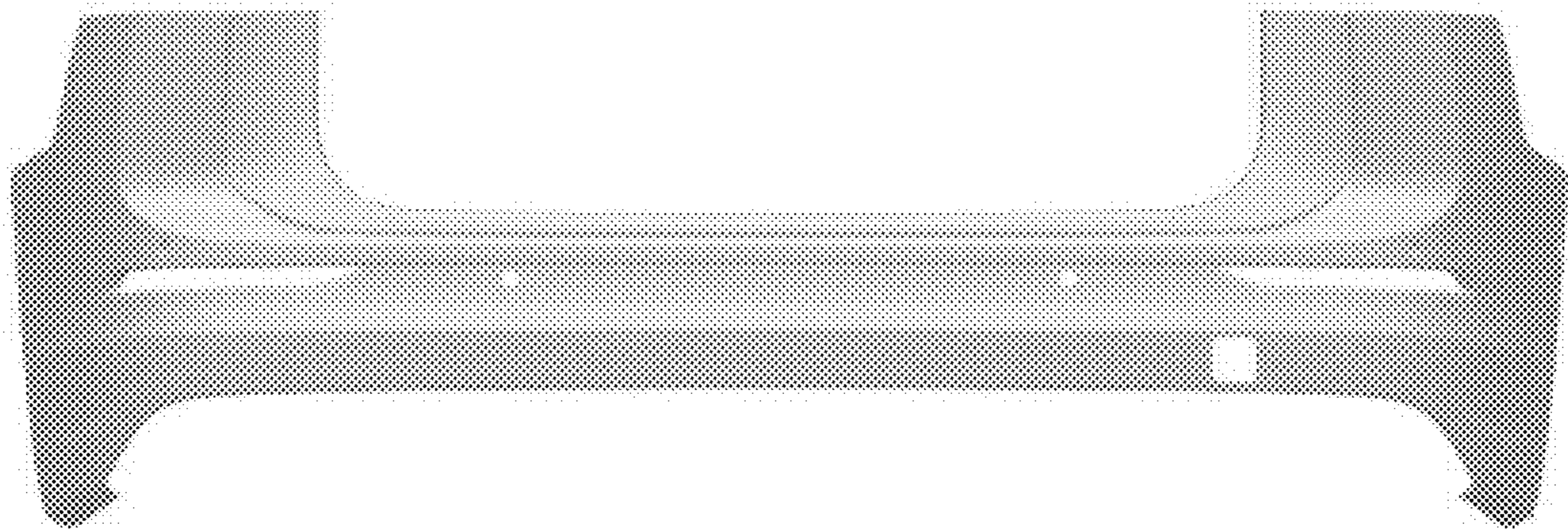


Fig. 3

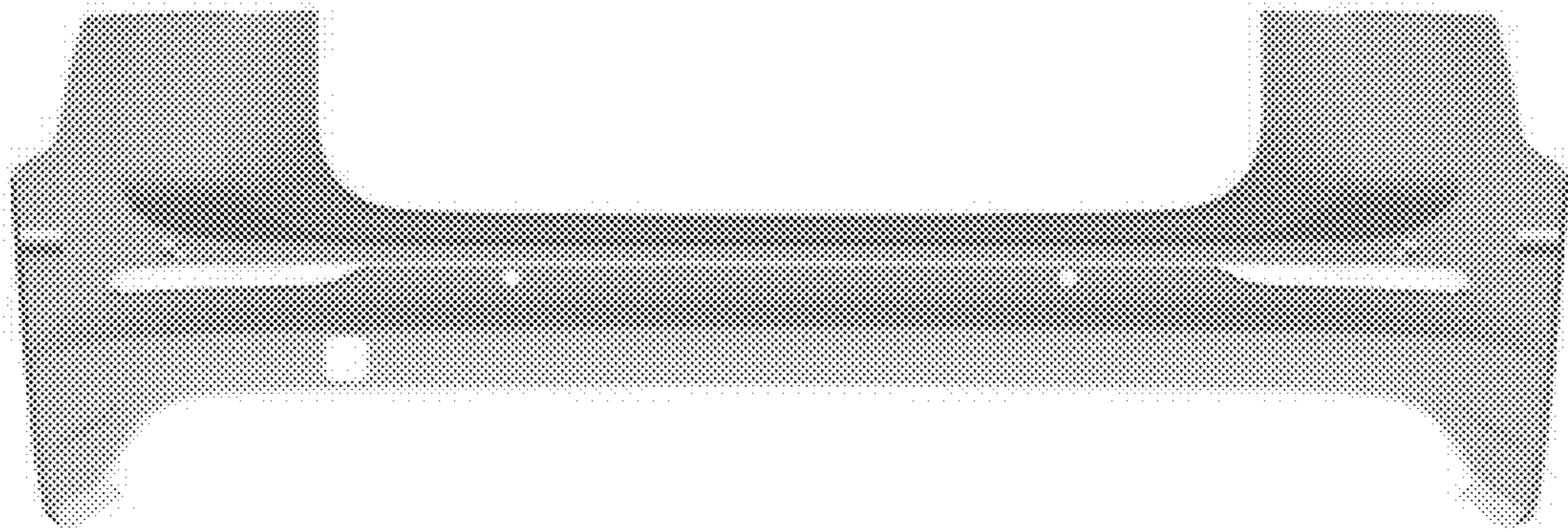


Fig. 4

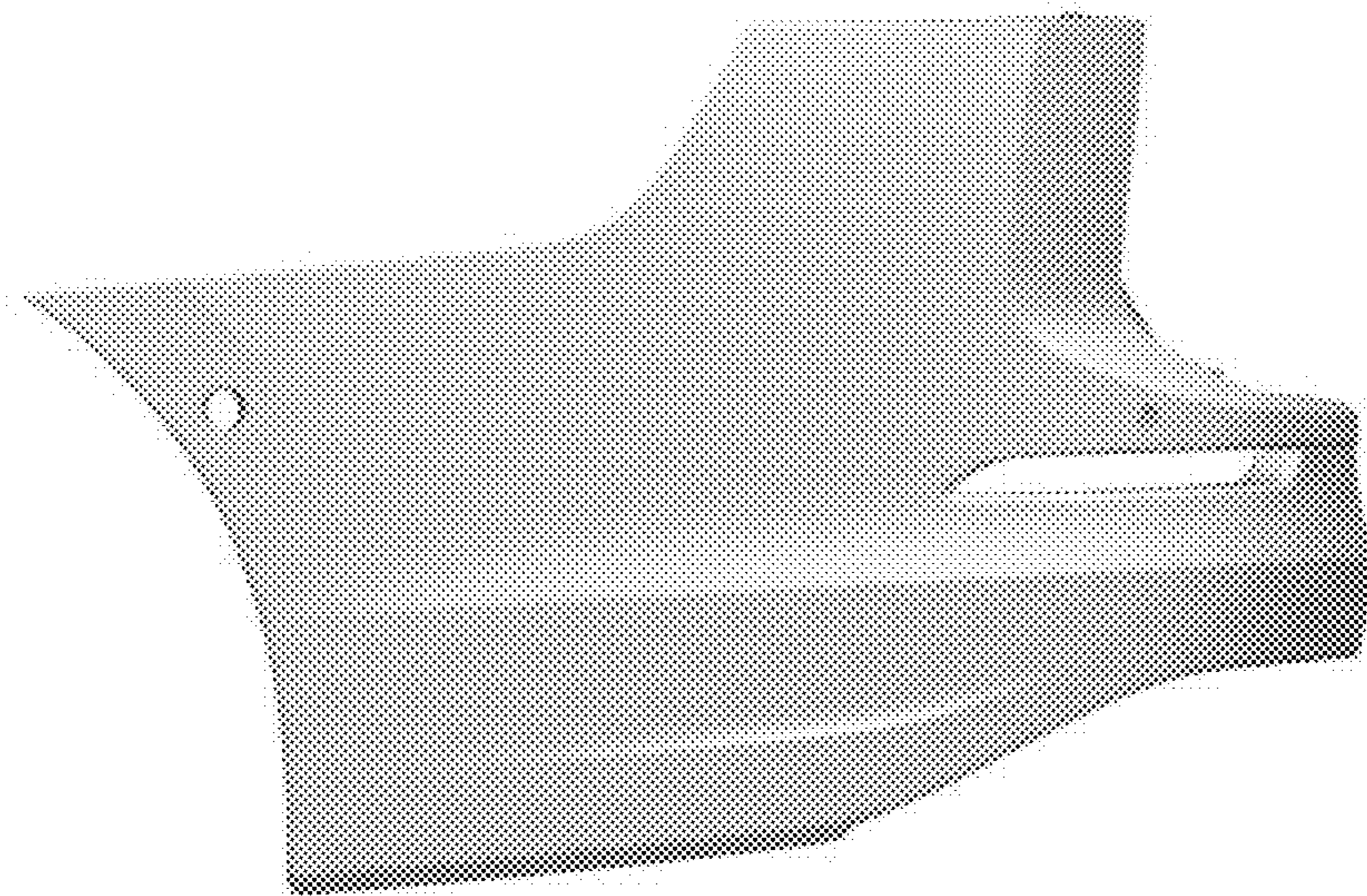


Fig. 5

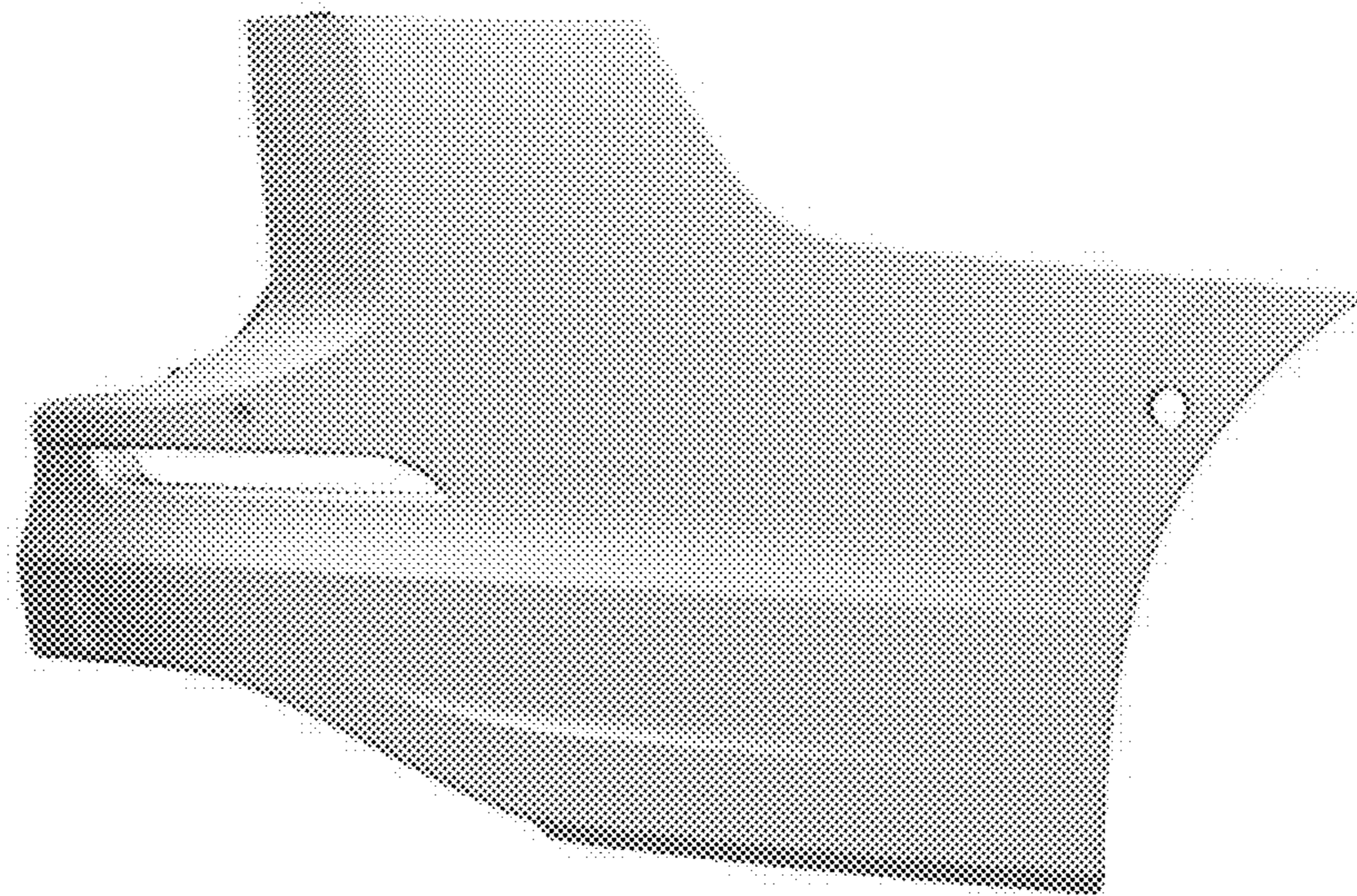


Fig. 6

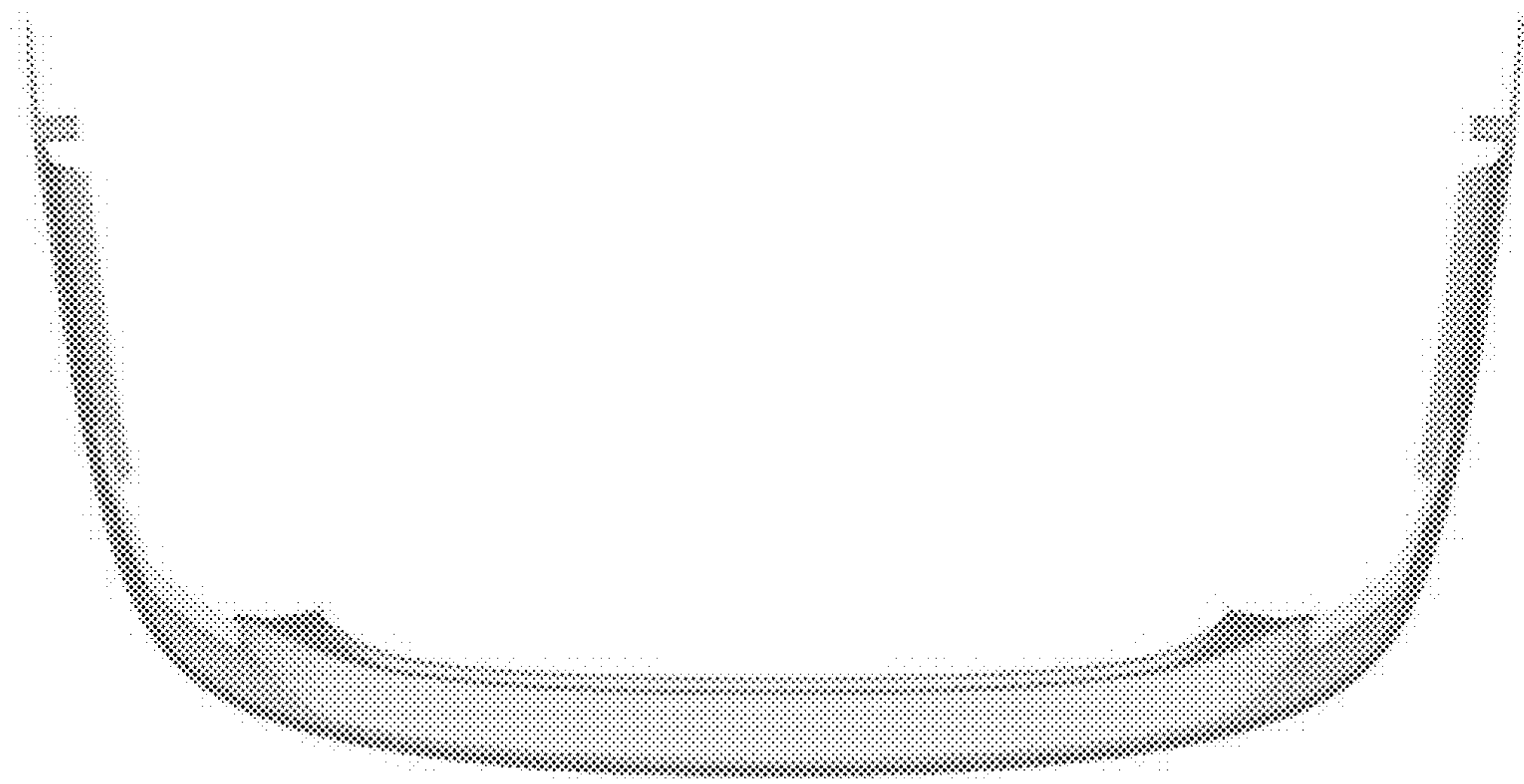


Fig. 7

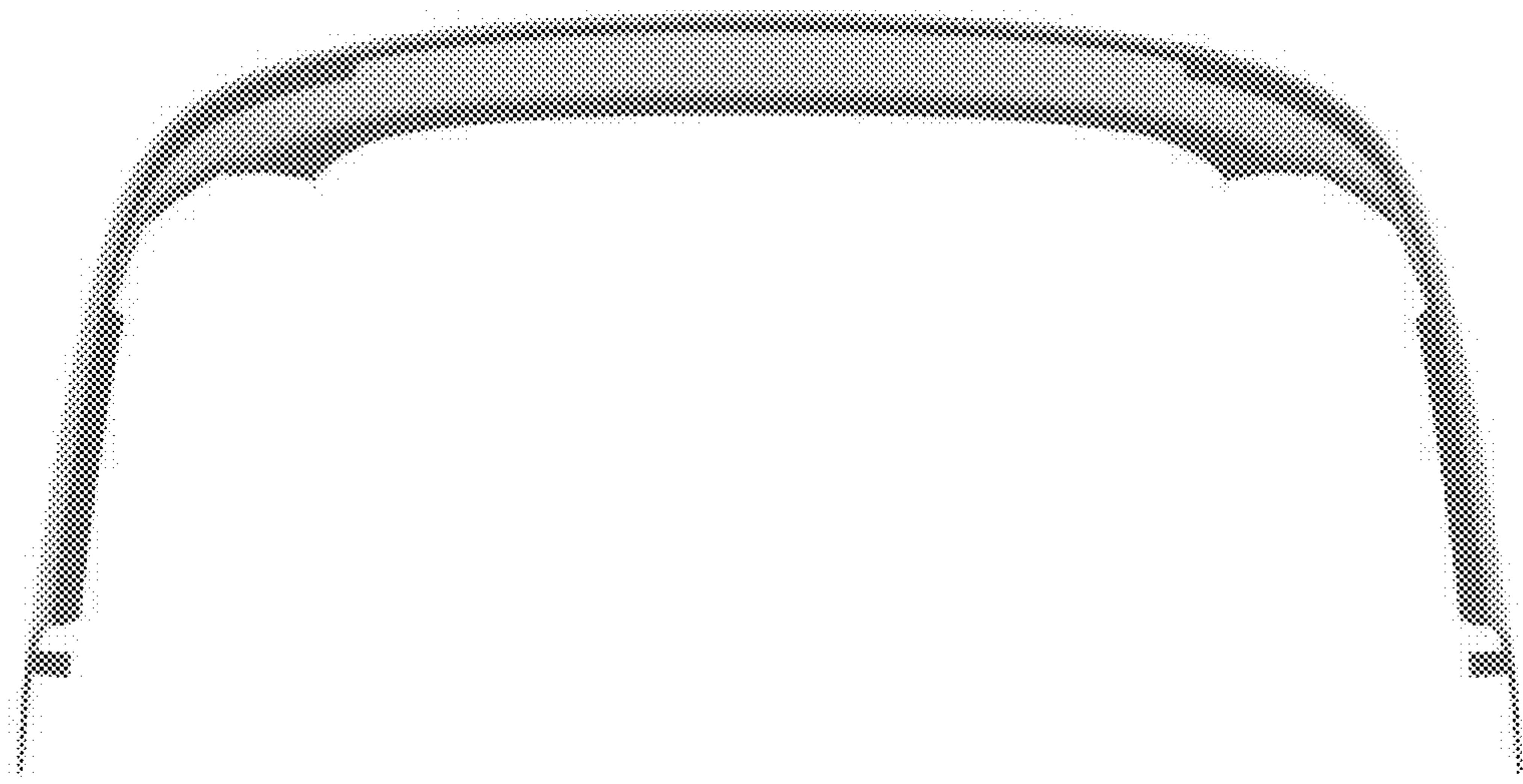


Fig. 8