



US00D931771S

(12) **United States Design Patent** (10) **Patent No.:** **US D931,771 S**
Koyama et al. (45) **Date of Patent:** **** Sep. 28, 2021**

(54) **FRONT BUMPER FOR AN AUTOMOBILE**

(71) Applicant: **TOYOTA JIDOSHA KABUSHIKI KAISHA**, Toyota (JP)

(72) Inventors: **Hideo Koyama**, Tokai (JP); **Daisuke Iguchi**, Chita-gun (JP)

(73) Assignee: **TOYOTA JIDOSHA KABUSHIKI KAISHA**

(**) Term: **15 Years**

(21) Appl. No.: **29/738,526**

(22) Filed: **Jun. 18, 2020**

(30) **Foreign Application Priority Data**

Dec. 20, 2019 (JP) 2019-028414

(51) **LOC (13) Cl.** **12-16**

(52) **U.S. Cl.**
USPC **D12/169**

(58) **Field of Classification Search**
USPC D12/169, 163, 196, 86, 90-92;
296/180.1, 180.2; 293/102, 113, 115,
293/117, 120
CPC B60R 19/52; B60R 2019/25; B62D 25/084
See application file for complete search history.

(56) **References Cited**

U.S. PATENT DOCUMENTS

D609,613 S * 2/2010 Okue D12/169
D619,514 S * 7/2010 Syouji D12/169
D630,978 S * 1/2011 Koshino D12/169
D640,614 S * 6/2011 Kumai D12/169
D640,958 S * 7/2011 Yokoi D12/169
D655,651 S * 3/2012 Koide D12/164
D660,205 S * 5/2012 Hotta D12/169
D667,353 S * 9/2012 Tomatsu D12/169

D674,731 S * 1/2013 Nagafuchi D12/169
D680,478 S * 4/2013 Munakata D12/169
D683,284 S * 5/2013 Yoshida D12/169
D686,546 S * 7/2013 Fetherston D12/169
D687,356 S * 8/2013 Weil D12/169
D696,167 S * 12/2013 Ito D12/169
D699,639 S * 2/2014 Kubota D12/169
D701,151 S * 3/2014 Cartabiano D12/169
D711,793 S * 8/2014 Nagasaka D12/169
D711,794 S * 8/2014 Okamura D12/169
D733,621 S * 7/2015 Ikuma D12/169
D748,021 S * 1/2016 Iwanaga D12/169
D752,486 S * 3/2016 Sperling D12/169
D813,735 S * 3/2018 Kanno D12/169
D813,736 S * 3/2018 Jevremovic D12/169

(Continued)

OTHER PUBLICATIONS

netcarshow.com, Toyota Camry (2018), <<https://www.netcarshow.com/toyota/2018-camry/>>, available as early as Mar. 18, 2019.

(Continued)

Primary Examiner — Melody N Brown

(74) *Attorney, Agent, or Firm* — Saidman DesignLaw Group, LLC

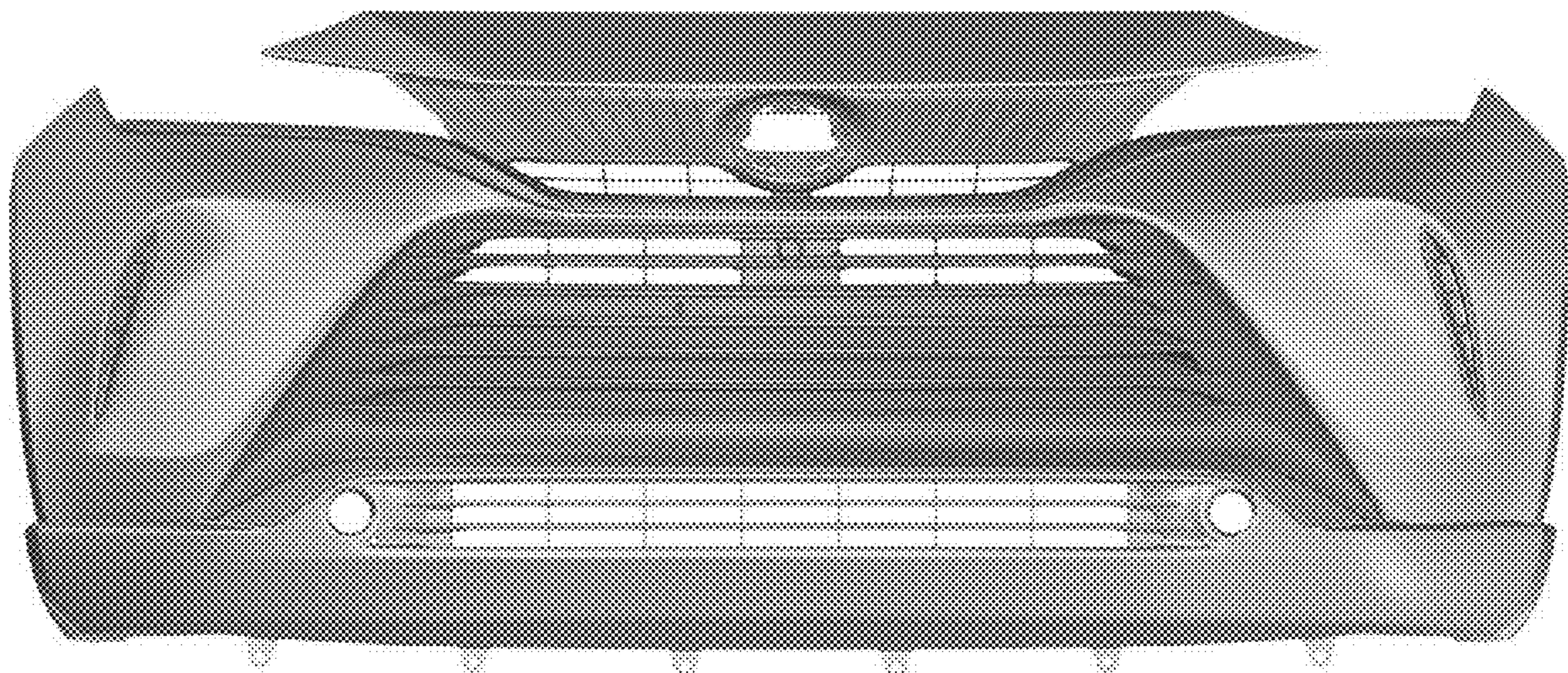
(57) **CLAIM**

The ornamental design for a front bumper for an automobile, as shown and described.

DESCRIPTION

FIG. 1 is a perspective view of a front bumper for an automobile showing our new design; FIG. 2 is a front view thereof; FIG. 3 is a rear view thereof; FIG. 4 is a right side view thereof; FIG. 5 is a left side view thereof; FIG. 6 is a top view thereof; and, FIG. 7 is a bottom view thereof.

1 Claim, 7 Drawing Sheets



(56)

References Cited

U.S. PATENT DOCUMENTS

D825,410 S *	8/2018	Nakamura	D12/169
D829,616 S *	10/2018	Fuchino	D12/169
D829,617 S *	10/2018	Takamatsu	D12/169
D829,618 S *	10/2018	Kamahara	D12/169
D835,014 S *	12/2018	Ea	D12/169
D839,151 S *	1/2019	Cartabiano	D12/169
D856,221 S *	8/2019	Sakaue	D12/169
D859,240 S *	9/2019	Sperling	D12/169
D870,614 S *	12/2019	Ea	D12/170
D886,692 S *	6/2020	Yokoi	D12/169
D906,907 S *	1/2021	Yagi	D12/169

OTHER PUBLICATIONS

netcarshow.com, Toyota Corolla Sedan (2019), <https://www.netcarshow.com/toyota/2019-corolla_sedan_eu-version/>, available as early as Mar. 18, 2019.

* cited by examiner

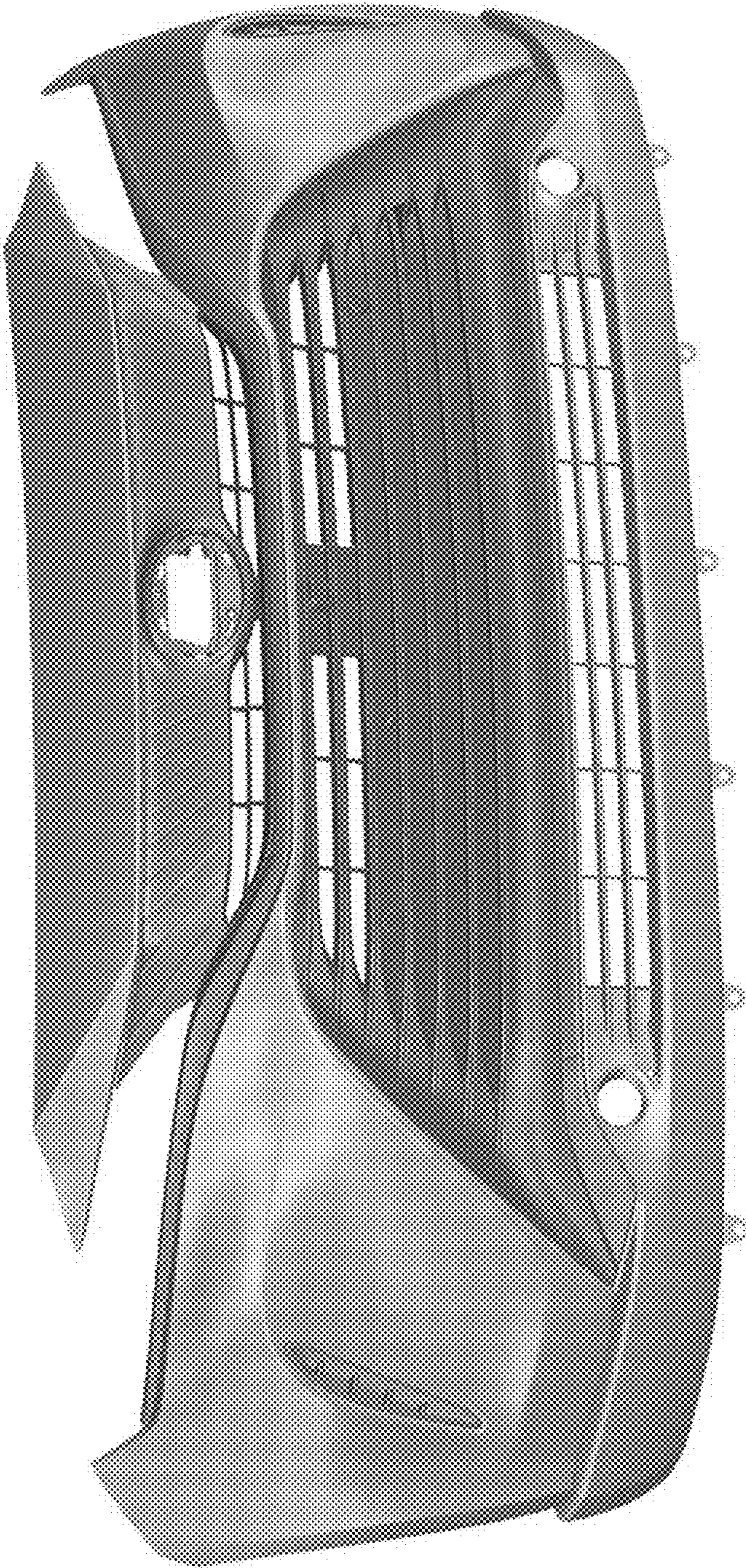


FIG. 1

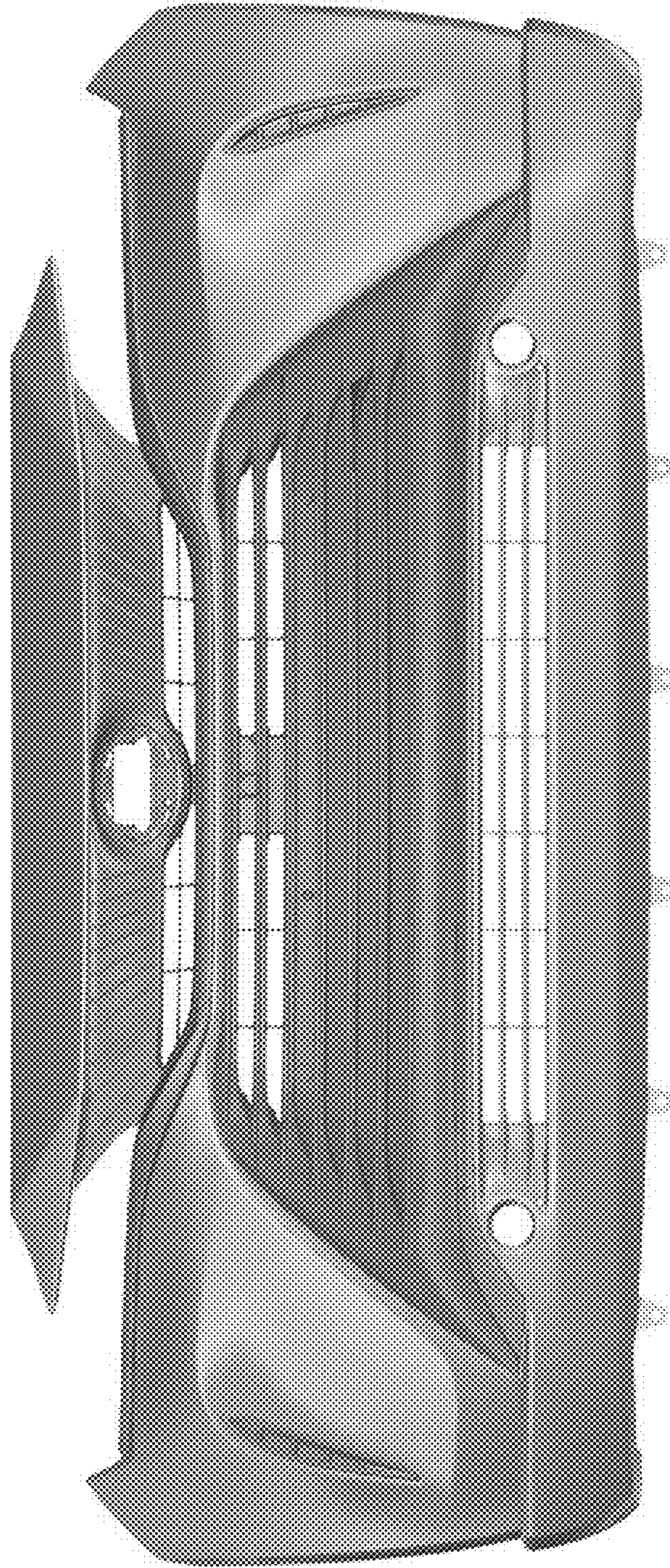


FIG. 2

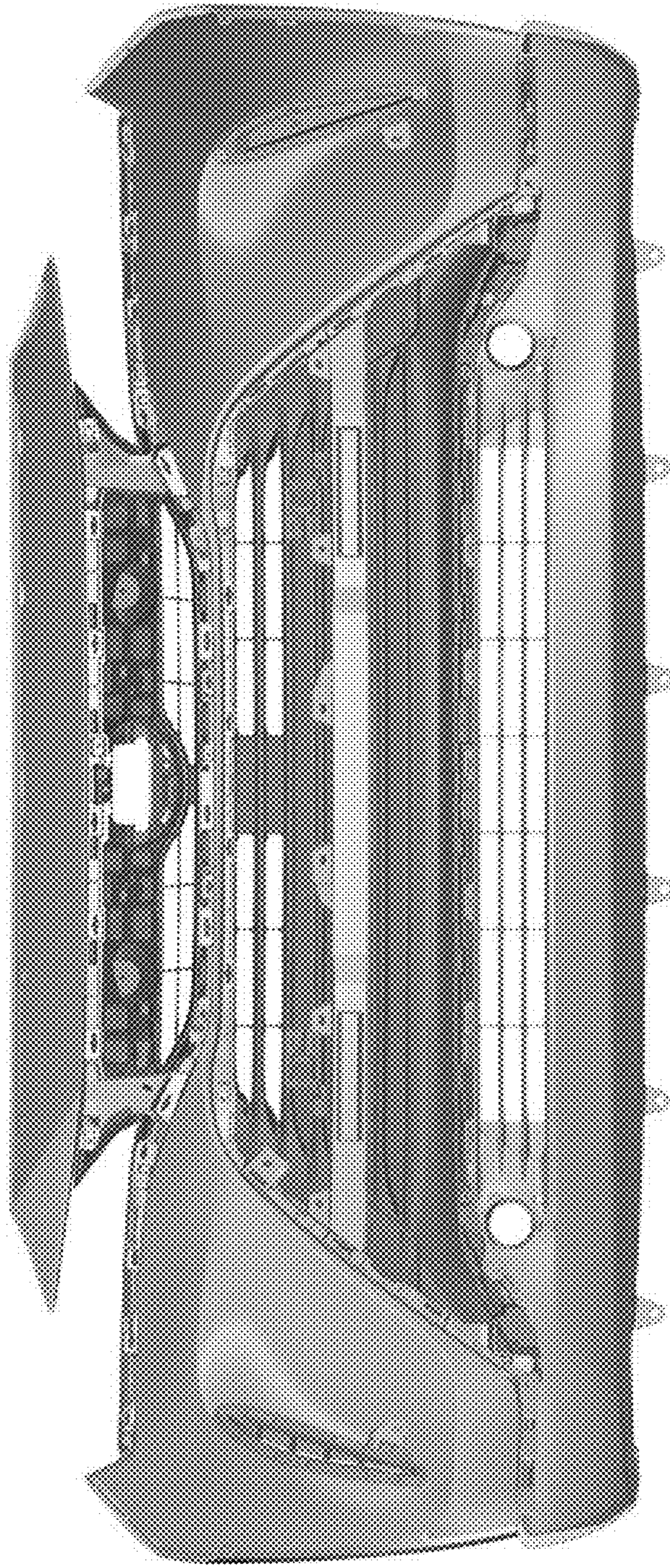


FIG. 3

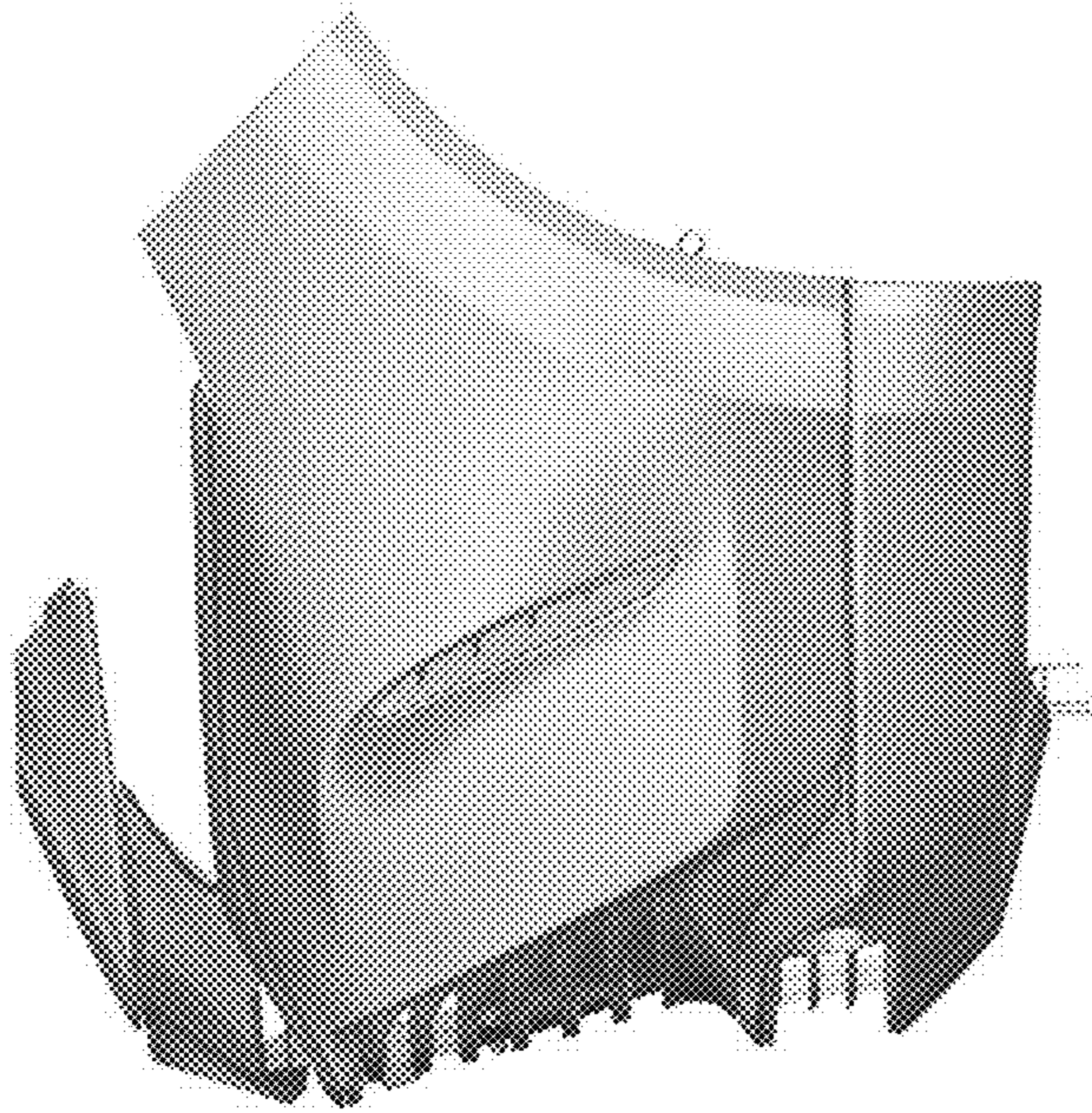


FIG. 4

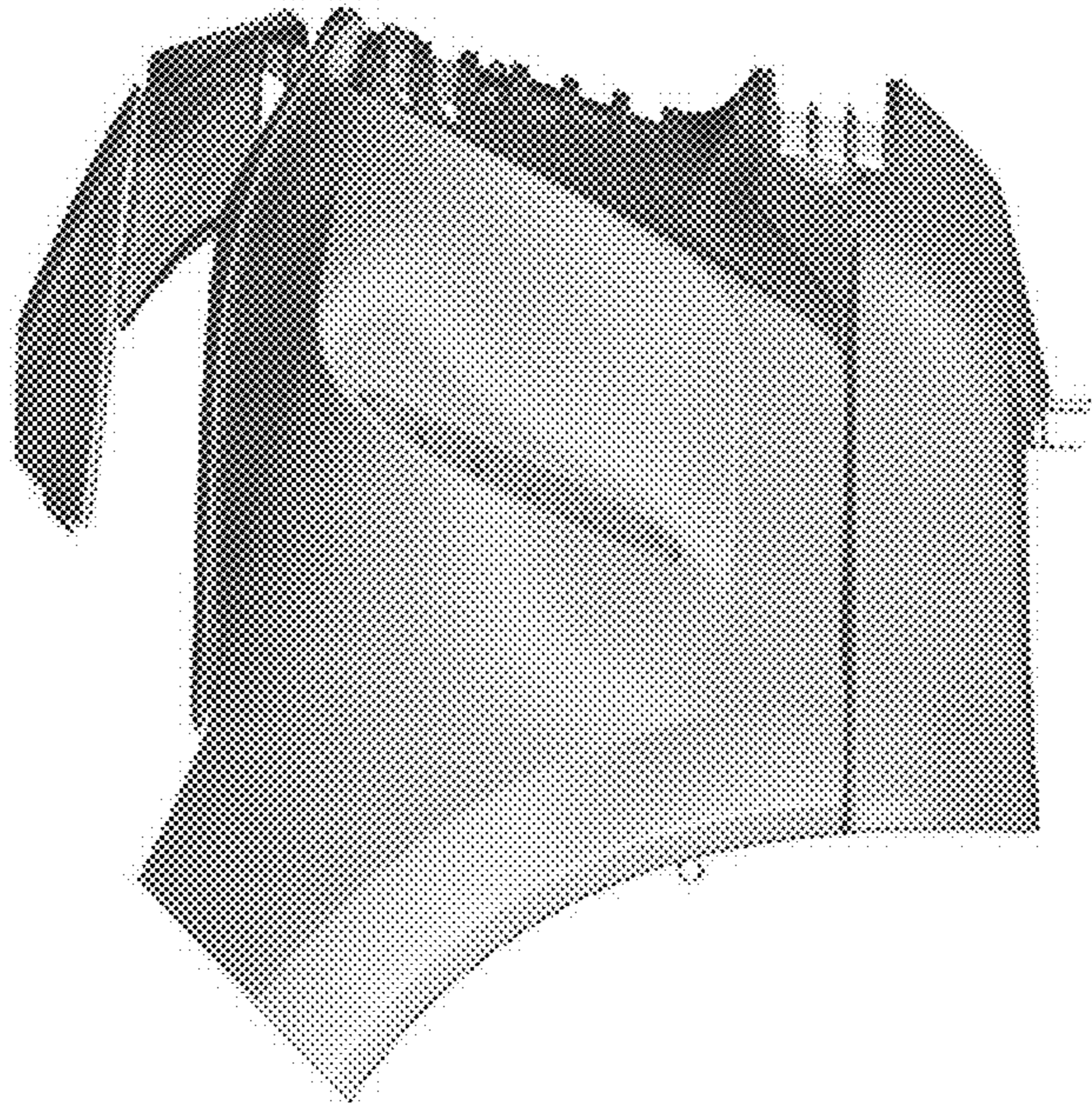


FIG. 5

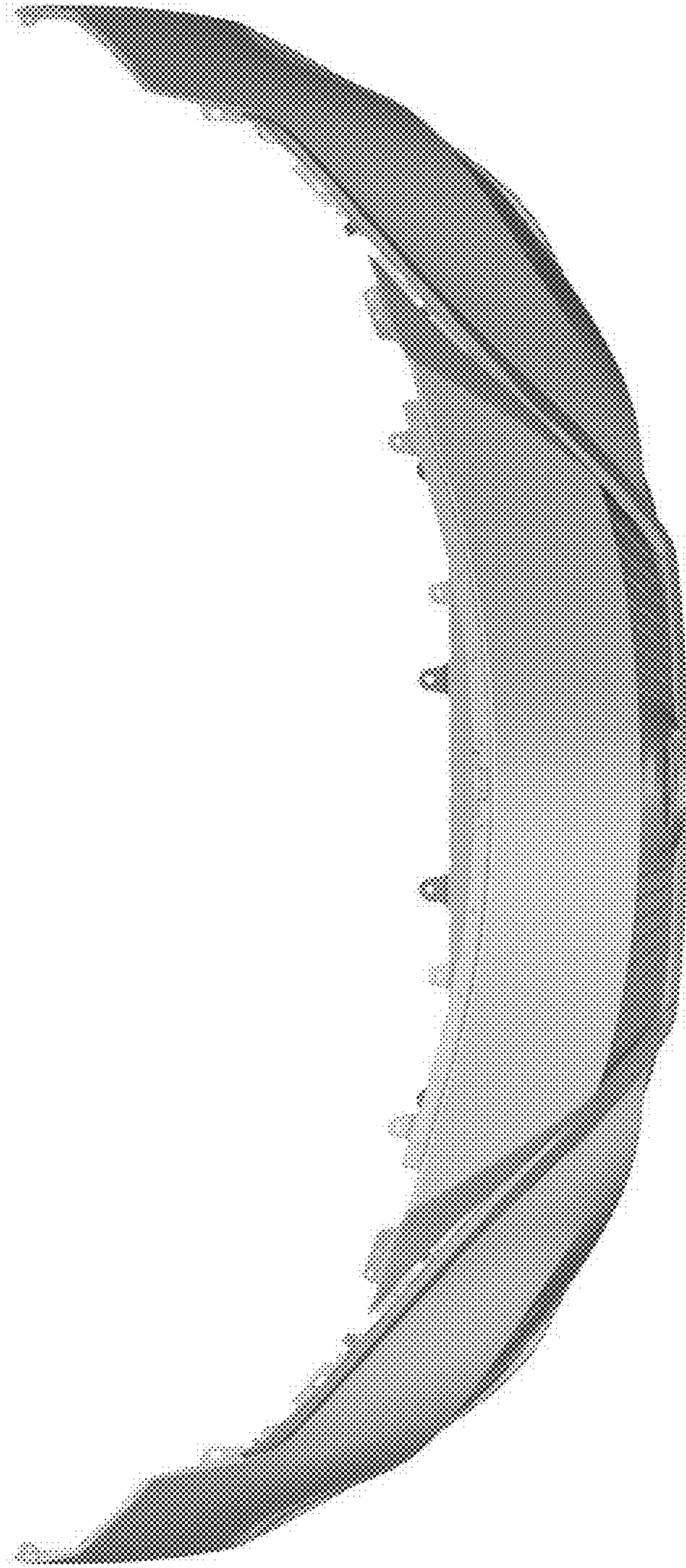


FIG. 6

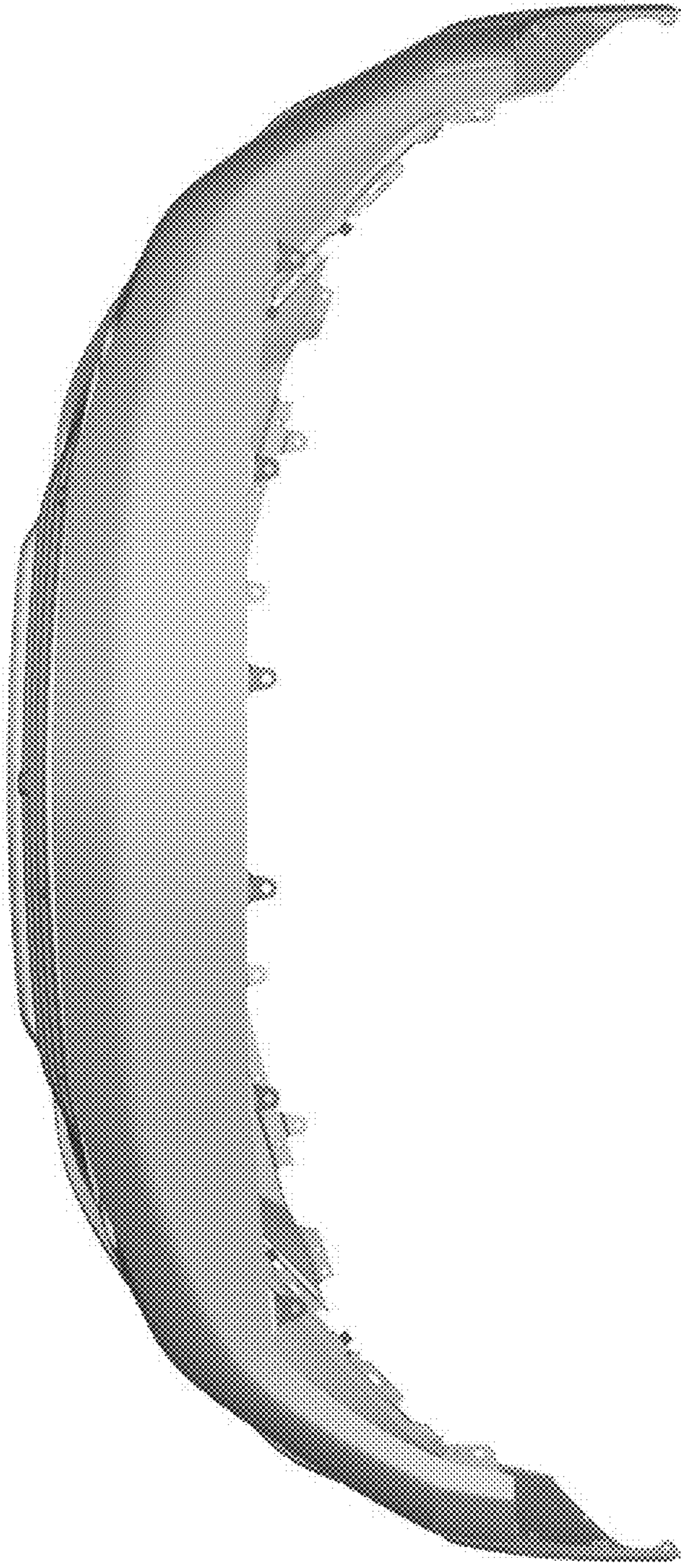


FIG. 7