



US00D931770S

(12) **United States Design Patent** (10) **Patent No.:** **US D931,770 S**  
**Wu** (45) **Date of Patent:** **\*\* Sep. 28, 2021**

(54) **FRONT BUMPER FOR AUTOMOBILE**  
(71) Applicant: **Tianjin ICONIQ New Energy Vehicle Co., Ltd.**, Tianjin (CN)  
(72) Inventor: **Nan Wu**, Tianjin (CN)  
(73) Assignee: **TIANJIN ICONIQ NEW ENERGY VEHICLE CO., LTD.**, Tianjin (CN)  
(\*\*) Term: **15 Years**

D802,498 S \* 11/2017 Zavatski ..... D12/169  
D822,550 S \* 7/2018 Wassell ..... D12/169  
D848,323 S \* 5/2019 Mack ..... D12/169  
D862,313 S \* 10/2019 Von Holzhausen ..... D12/169  
D908,051 S \* 1/2021 Longpre ..... D12/169  
D911,221 S \* 2/2021 Pishevar ..... D12/90

\* cited by examiner

*Primary Examiner* — Melody N Brown

(74) *Attorney, Agent, or Firm* — Kacvinsky Daisak Bluni PLLC

(21) Appl. No.: **29/712,032**  
(22) Filed: **Nov. 5, 2019**

(30) **Foreign Application Priority Data**

May 5, 2019 (CN) ..... 201930213224.4

(51) **LOC (13) Cl.** ..... **12-16**  
(52) **U.S. Cl.**  
USPC ..... **D12/169**  
(58) **Field of Classification Search**  
USPC ..... D12/169, 163, 196, 86, 90–92;  
296/180.1, 180.2; 293/102, 115, 117, 120  
CPC .... B60R 19/52; B60R 2019/25; B62D 25/084  
See application file for complete search history.

(56) **References Cited**

**U.S. PATENT DOCUMENTS**

D793,292 S \* 8/2017 Lee ..... D12/169  
D793,293 S \* 8/2017 Lee ..... D12/169

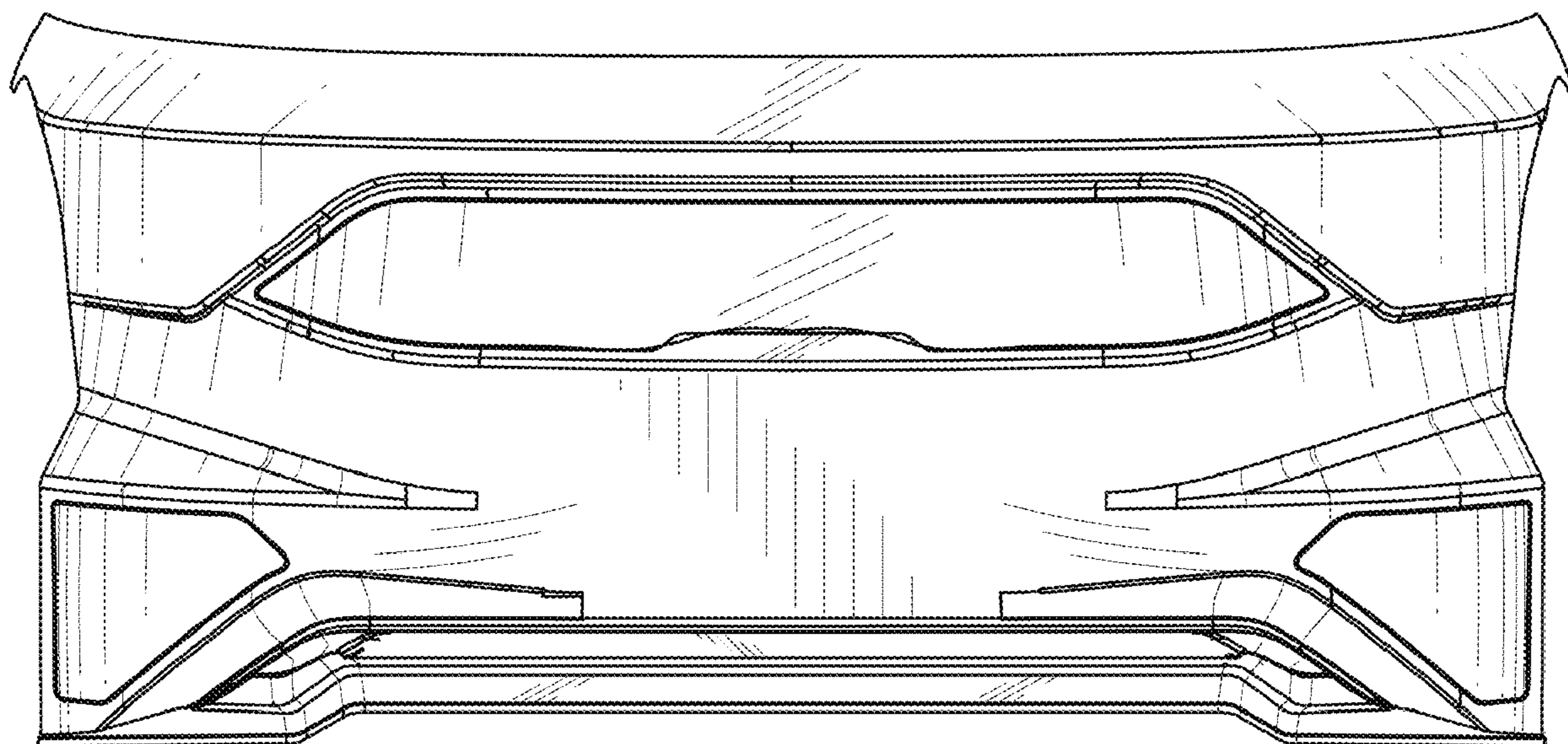
(57) **CLAIM**

The ornamental design for a front bumper for automobile, as shown and described.

**DESCRIPTION**

FIG. 1 is a front elevational view of a front bumper for vehicle showing my new design;  
FIG. 2 is a rear elevational view thereof;  
FIG. 3 is a left side elevational view thereof;  
FIG. 4 is a right side elevational view thereof;  
FIG. 5 is a top plan view thereof;  
FIG. 6 is a bottom plan view thereof;  
FIG. 7 is a bottom, front and left side perspective view thereof; and,  
FIG. 8 is a top, rear, and right side perspective view thereof.

**1 Claim, 4 Drawing Sheets**



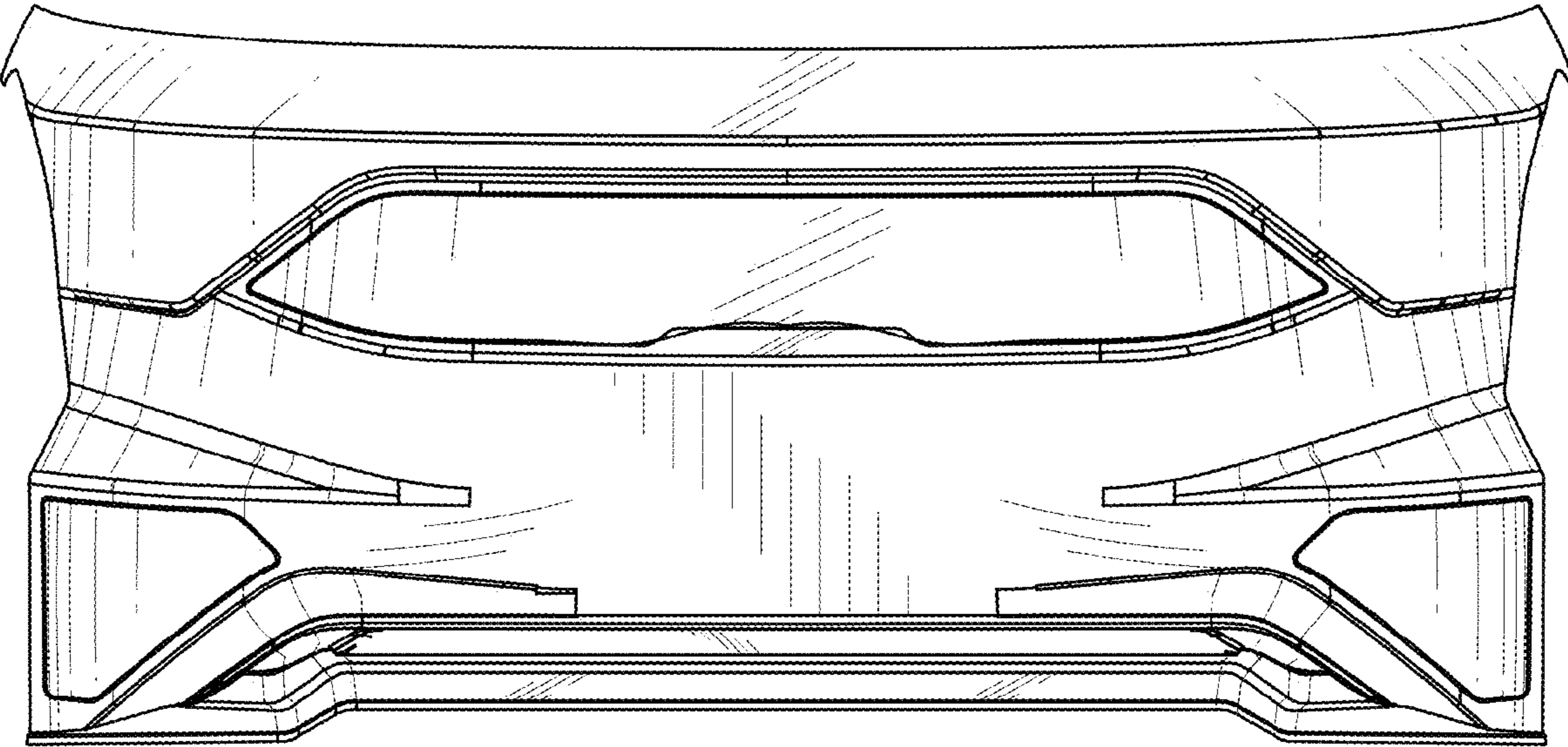


FIG. 1

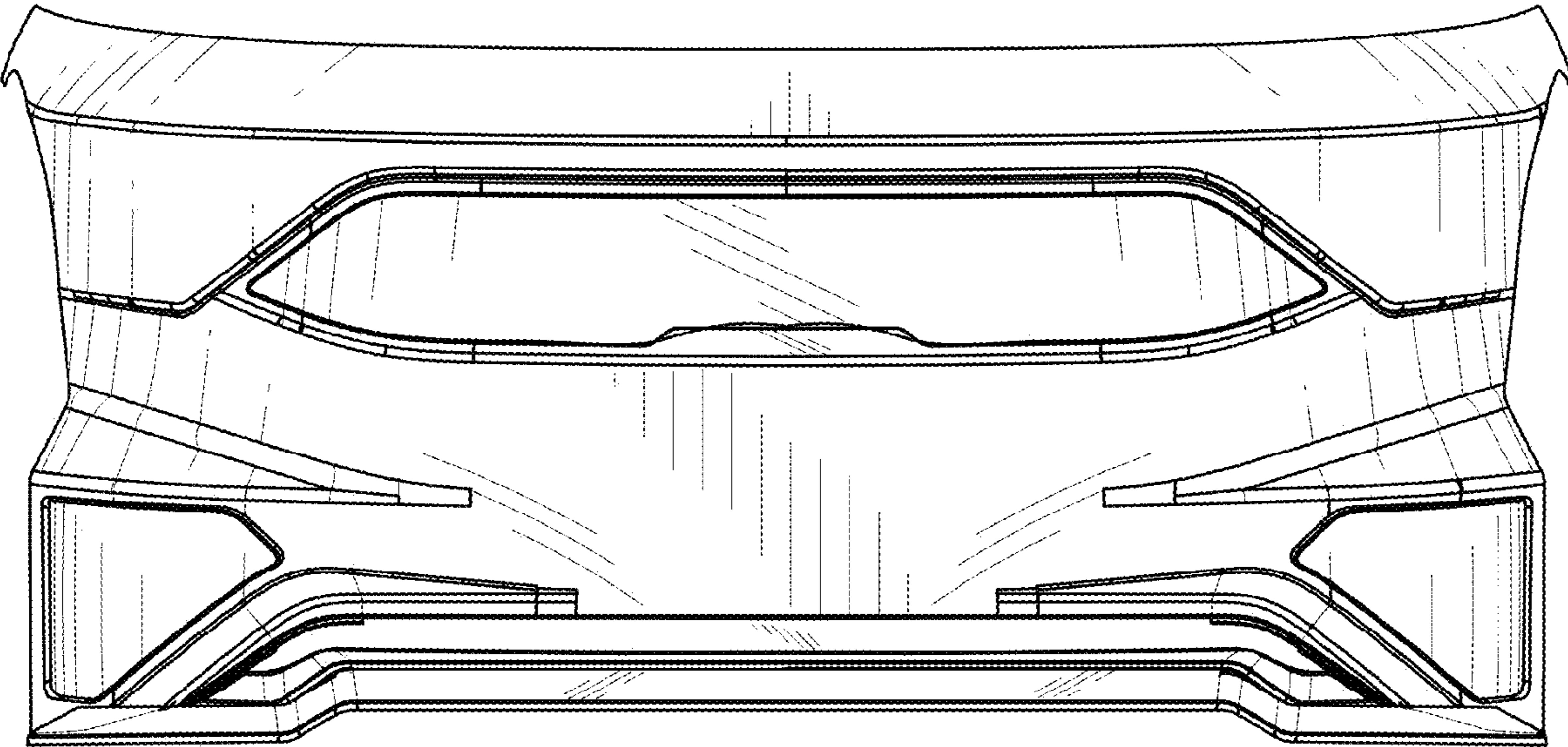


FIG. 2

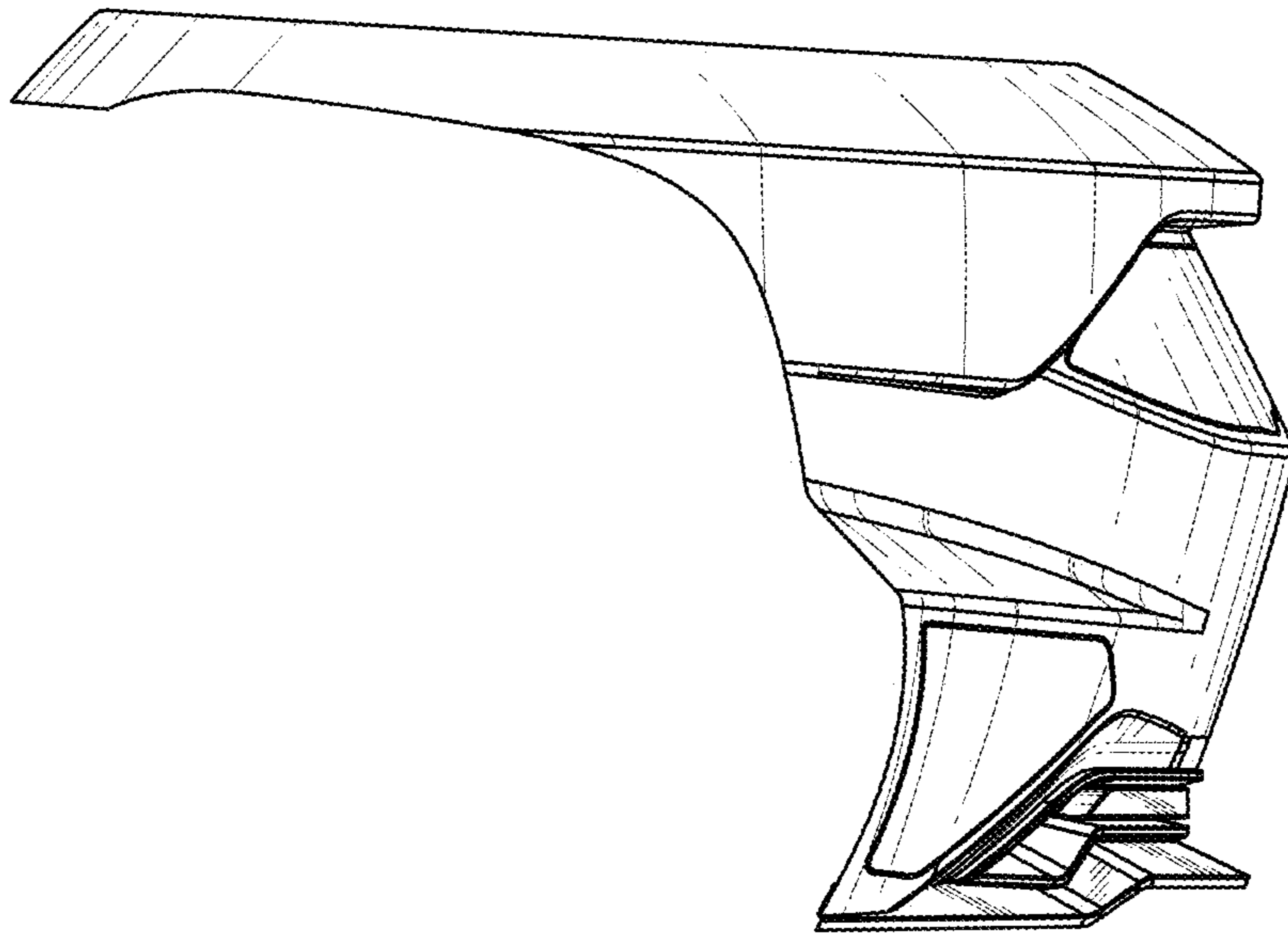


FIG.3

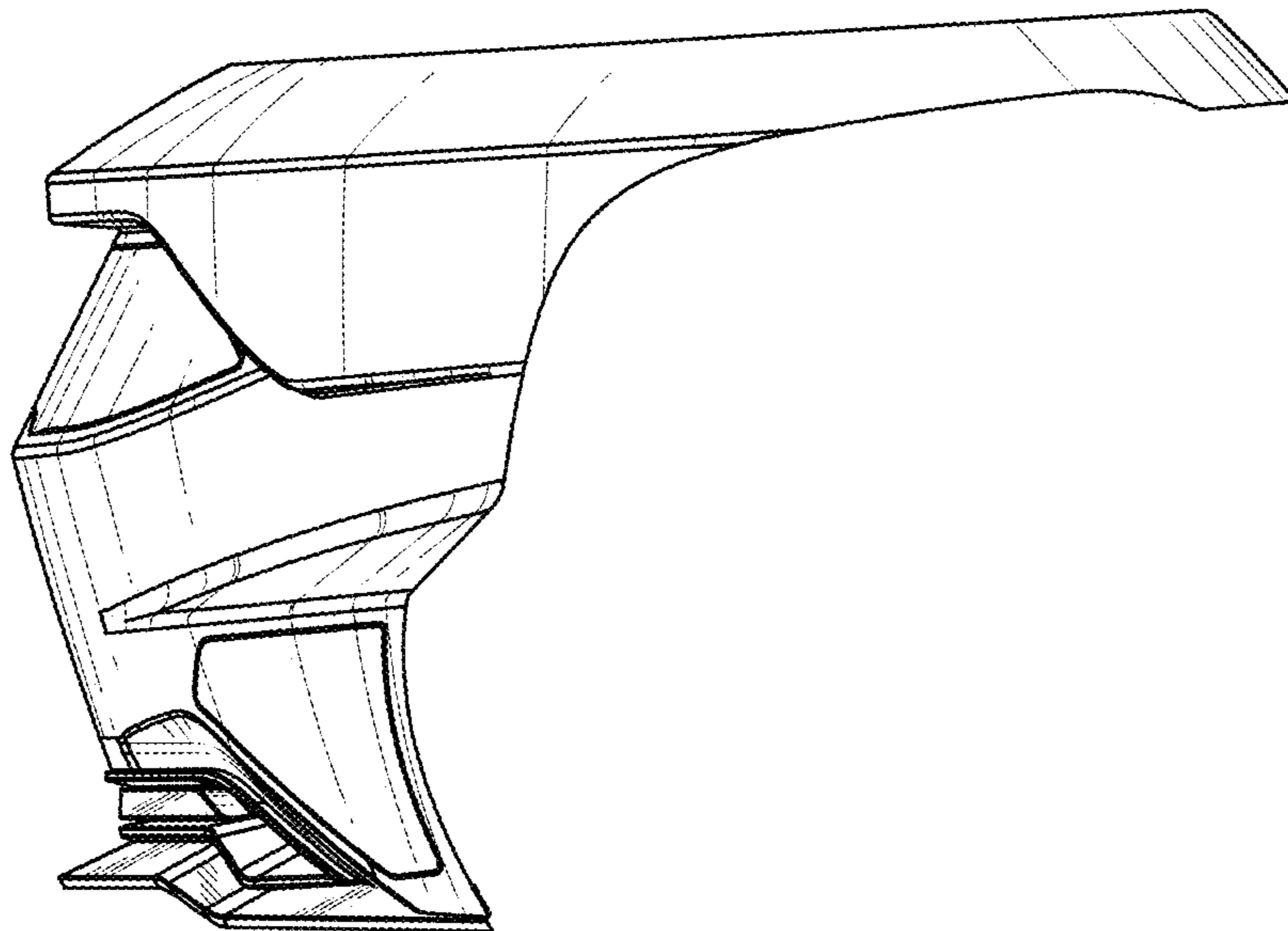


FIG.4



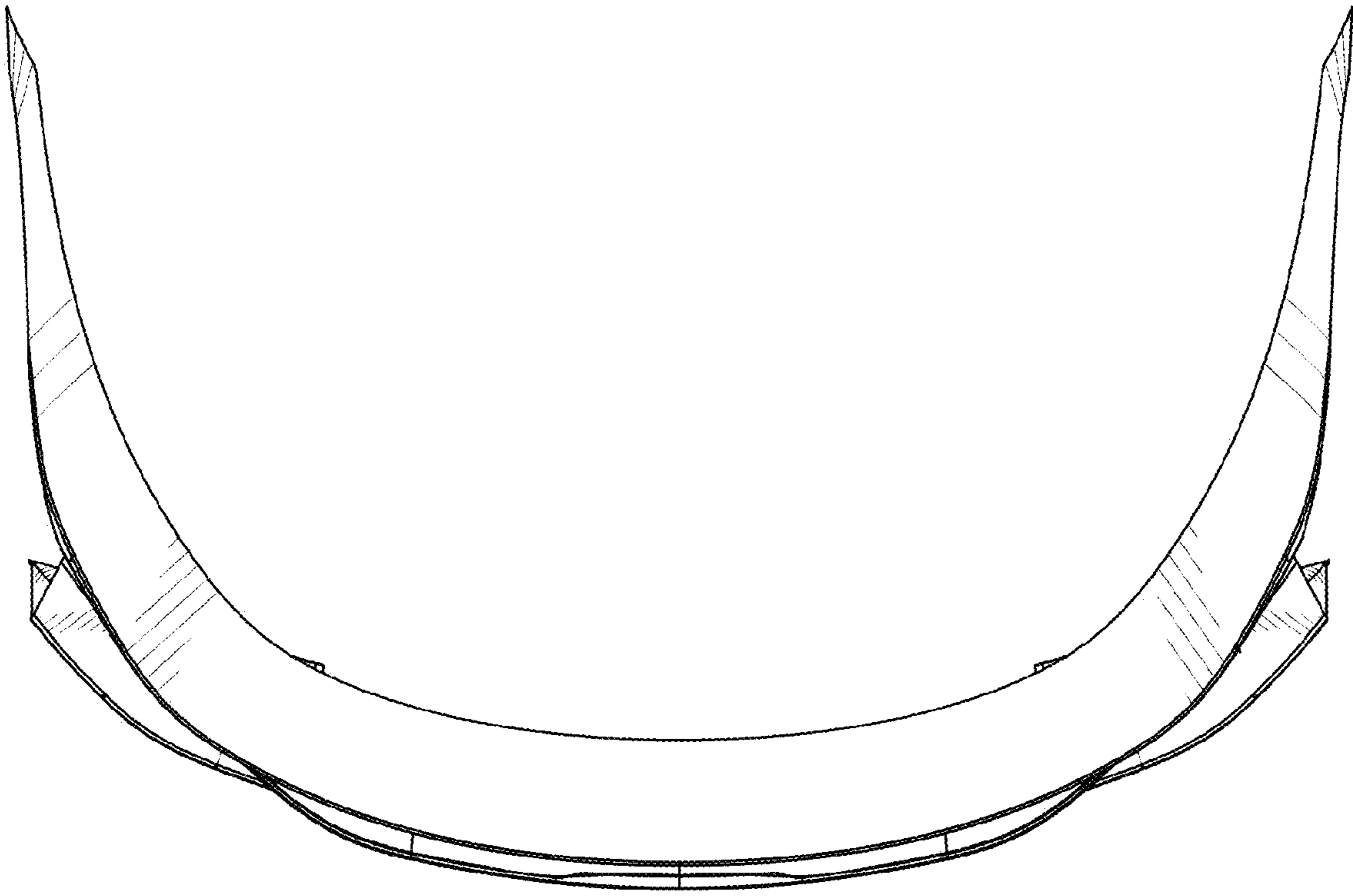


FIG. 5

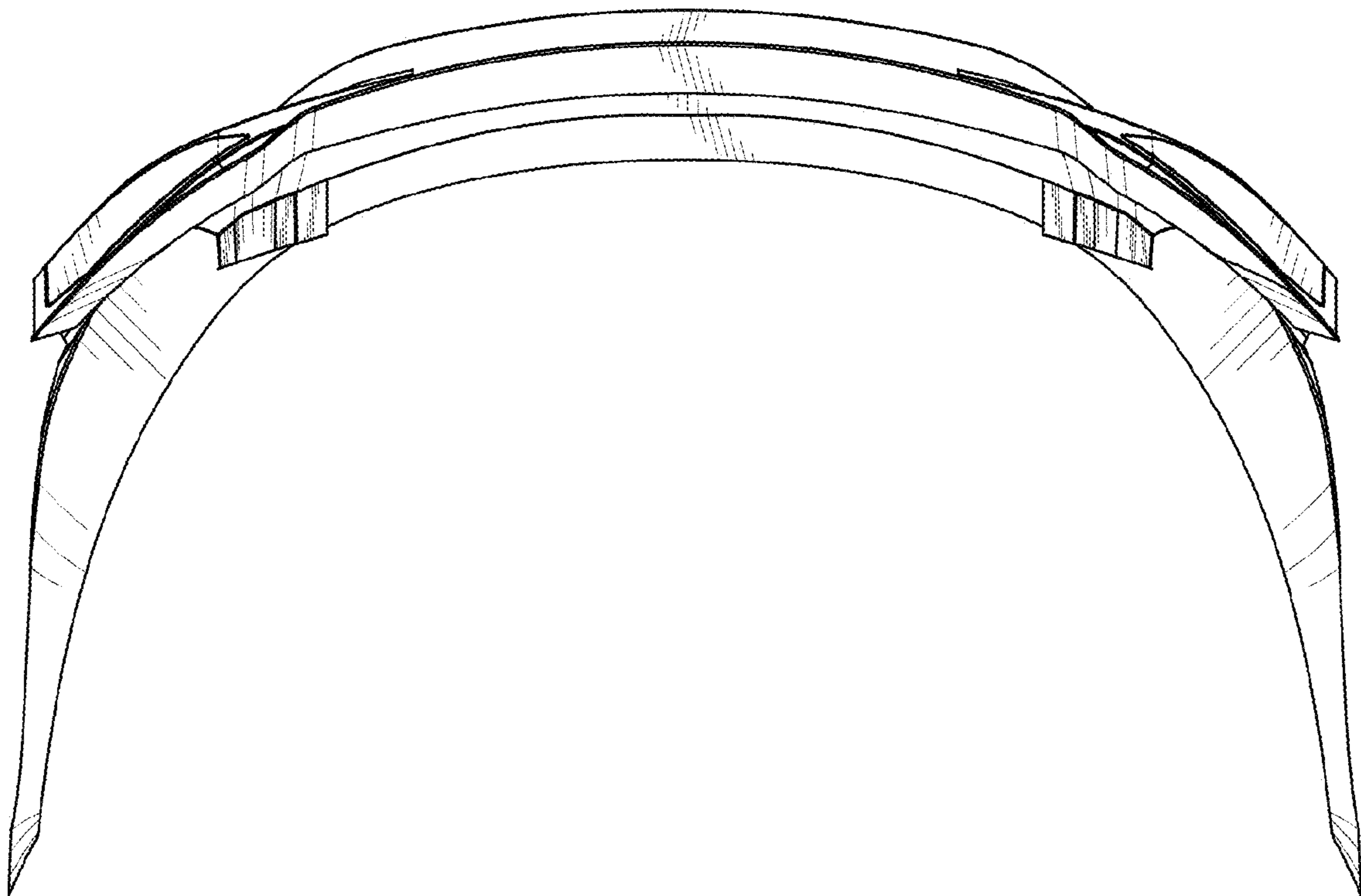


FIG. 6

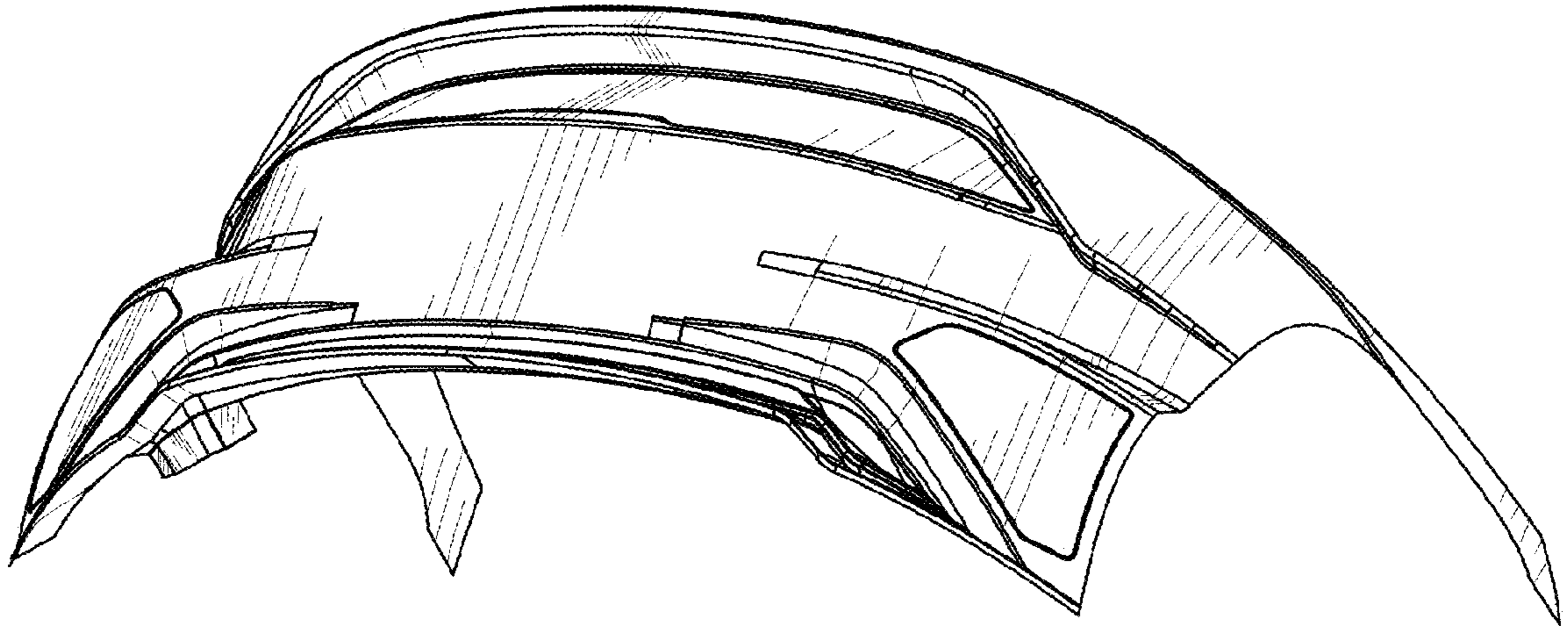


FIG.7

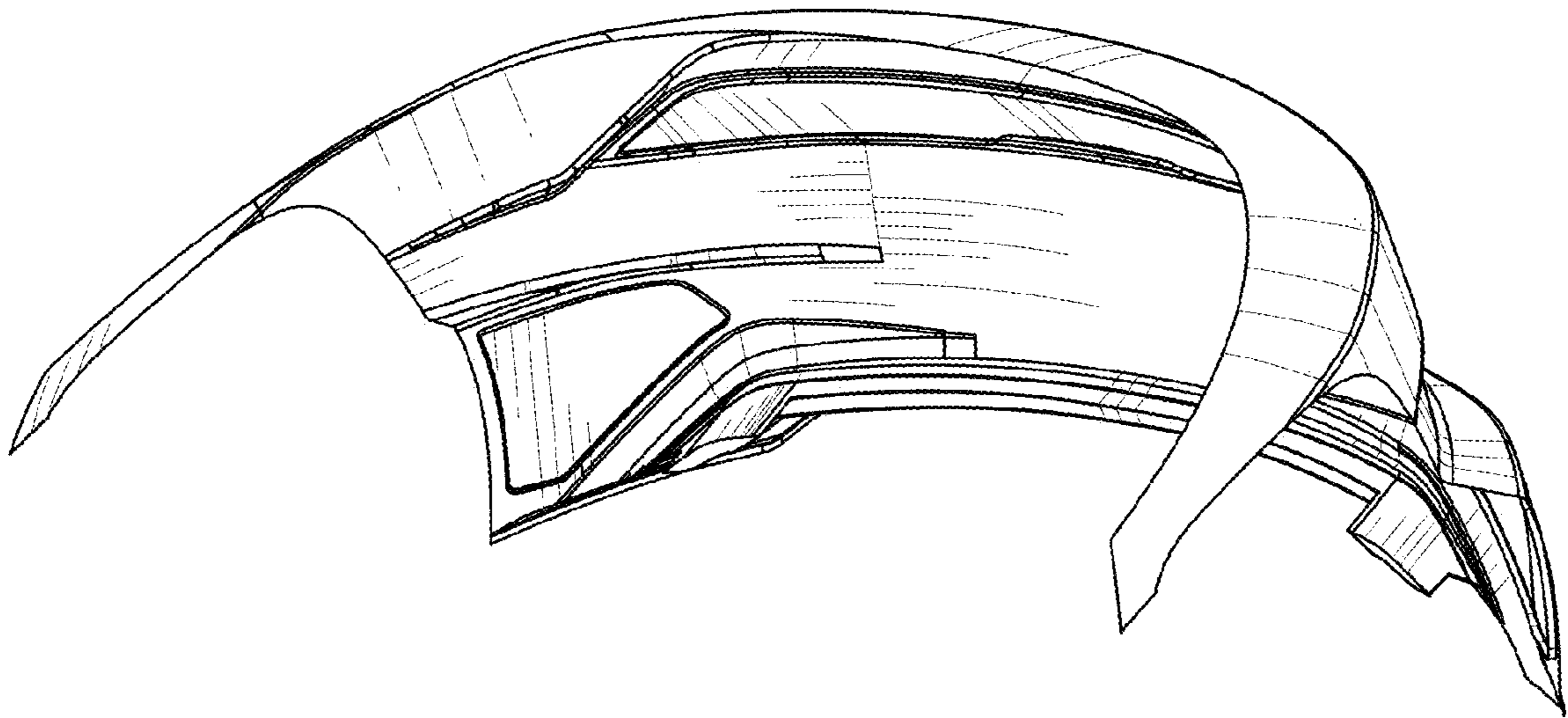


FIG.8