



US00D931767S

(12) **United States Design Patent** (10) **Patent No.:** **US D931,767 S**
Kentley-Klay et al. (45) **Date of Patent:** **** Sep. 28, 2021**

(54) **GRILLE ASSEMBLY**

FOREIGN PATENT DOCUMENTS

(71) Applicant: **Zoox, Inc.**, Foster City, CA (US)

CN 300695943 * 10/2007

(72) Inventors: **Timothy David Kentley-Klay**, Stanford, CA (US); **Nahuel Elias Battaglia**, Stanford, CA (US); **Herman Francisco Delos Santos**, Redwood City, CA (US); **Richard Luke Osellame**, Redwood City, CA (US); **Christopher John Stoffel**, San Carlos, CA (US)

OTHER PUBLICATIONS

Amazon Zoox YouTube <https://www.youtube.com/watch?v=DekzFrNHw8U> Posted Dec. 22, 2020 (Year: 2020).*
The Chinese Office Action dated Oct. 24, 2019, for Chinese Design Application No. 201930318049.5, a counterpart of Design U.S. Appl. No. 29/674,159, 2 pages.
The Japanese Office Action dated Sep. 6, 2019 for Japanese Patent Application No. 2019-013549, a counterpart of U.S. Appl. No. 29/674,159, 3 pages.
The Chinese Office Action dated Jul. 17, 2020, for Chinese Design Application No. 201930318049.5, a counterpart of Design U.S. Appl. No. 29/674,159, 1 pages.

(73) Assignee: **Zoox, Inc.**, Foster City, CA (US)

(**) Term: **15 Years**

* cited by examiner

(21) Appl. No.: **29/674,159**

(22) Filed: **Dec. 19, 2018**

Primary Examiner — Leanne Was-Englehart

(51) **LOC (13) Cl.** **12-16**

(74) *Attorney, Agent, or Firm* — Lee & Hayes, P.C.

(52) **U.S. Cl.**

USPC **D12/163**

(58) **Field of Classification Search**

USPC D12/163, 164, 167, 169, 170, 171, 216
CPC B60R 19/52; B60R 2019/525; B60R 2019/527

See application file for complete search history.

(57) **CLAIM**

The ornamental design for a grille assembly, as shown and described.

(56) **References Cited**

DESCRIPTION

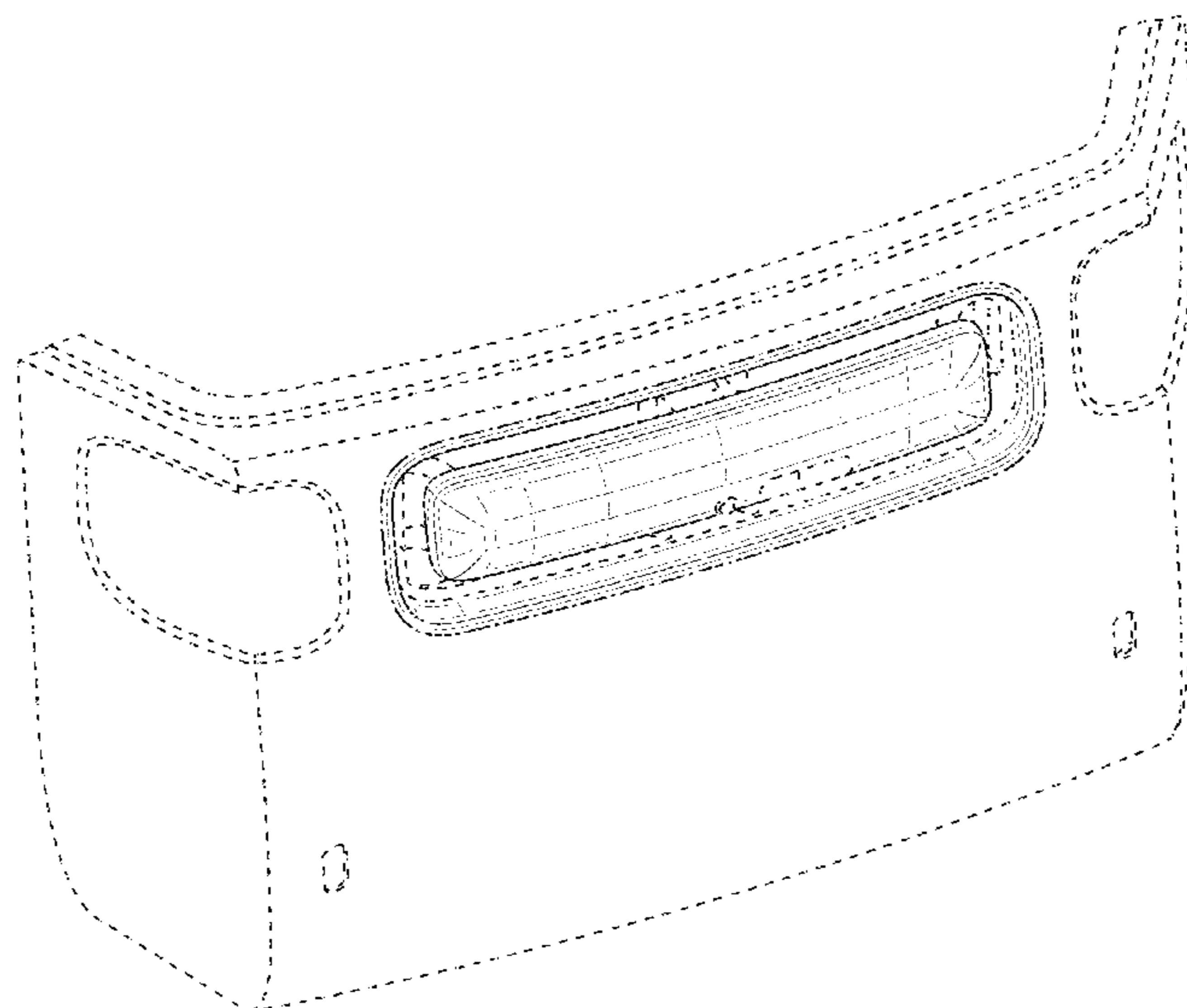
U.S. PATENT DOCUMENTS

D354,932 S *	1/1995	Shea, Sr.	D12/100
D367,831 S *	3/1996	Shea, Sr.	D12/100
D383,420 S *	9/1997	Fahmian	D12/180
D384,915 S *	10/1997	Fahmian	D12/100
D642,965 S *	8/2011	Mueller-Stolz	D12/169
D733,630 S *	7/2015	Ahn	D12/196
D760,126 S *	6/2016	Doyle	D12/169
D805,969 S *	12/2017	Villamizar	D12/169
D805,970 S *	12/2017	Villamizar	D12/169
D810,635 S *	2/2018	Villamizar	D12/169
D818,902 S *	5/2018	Anderson	D12/169
D889,331 S *	7/2020	O'Donnell	D12/169
D909,260 S *	2/2021	De Rudnicki	D12/163

FIG. 1 is a front perspective view of a grille assembly;
FIG. 2 is a front view thereof;
FIG. 3 is a back view thereof;
FIG. 4 is a left-side view thereof;
FIG. 5 is a right-side view thereof;
FIG. 6 is a top view thereof; and,
FIG. 7 is a bottom view thereof.

The dashed broken lines depict portions of the grille assembly that form no part of the claimed design. The dot-dashed broken lines represent boundaries of the claimed grille assembly and form no part of the claimed design.

1 Claim, 7 Drawing Sheets



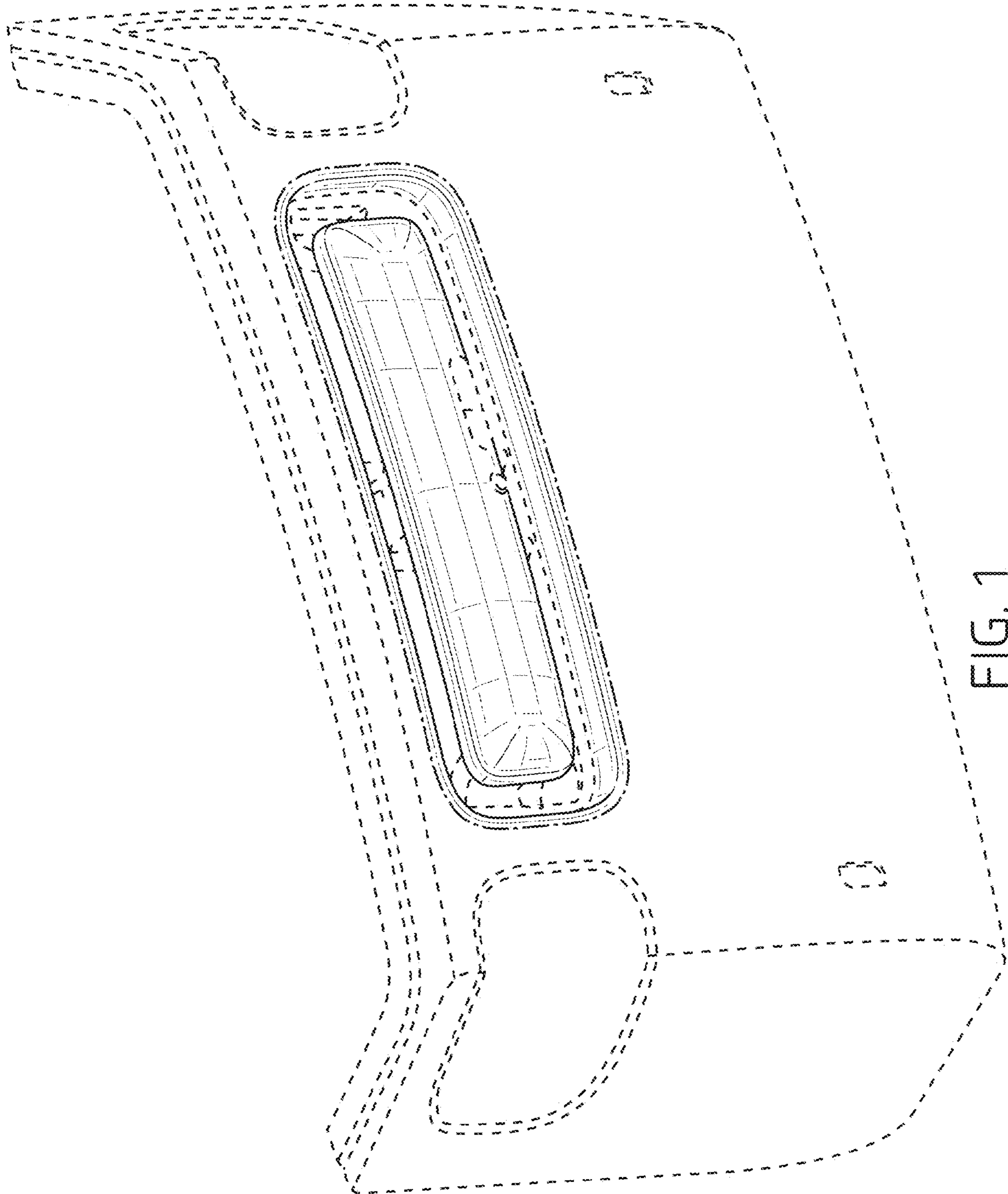


FIG. 1

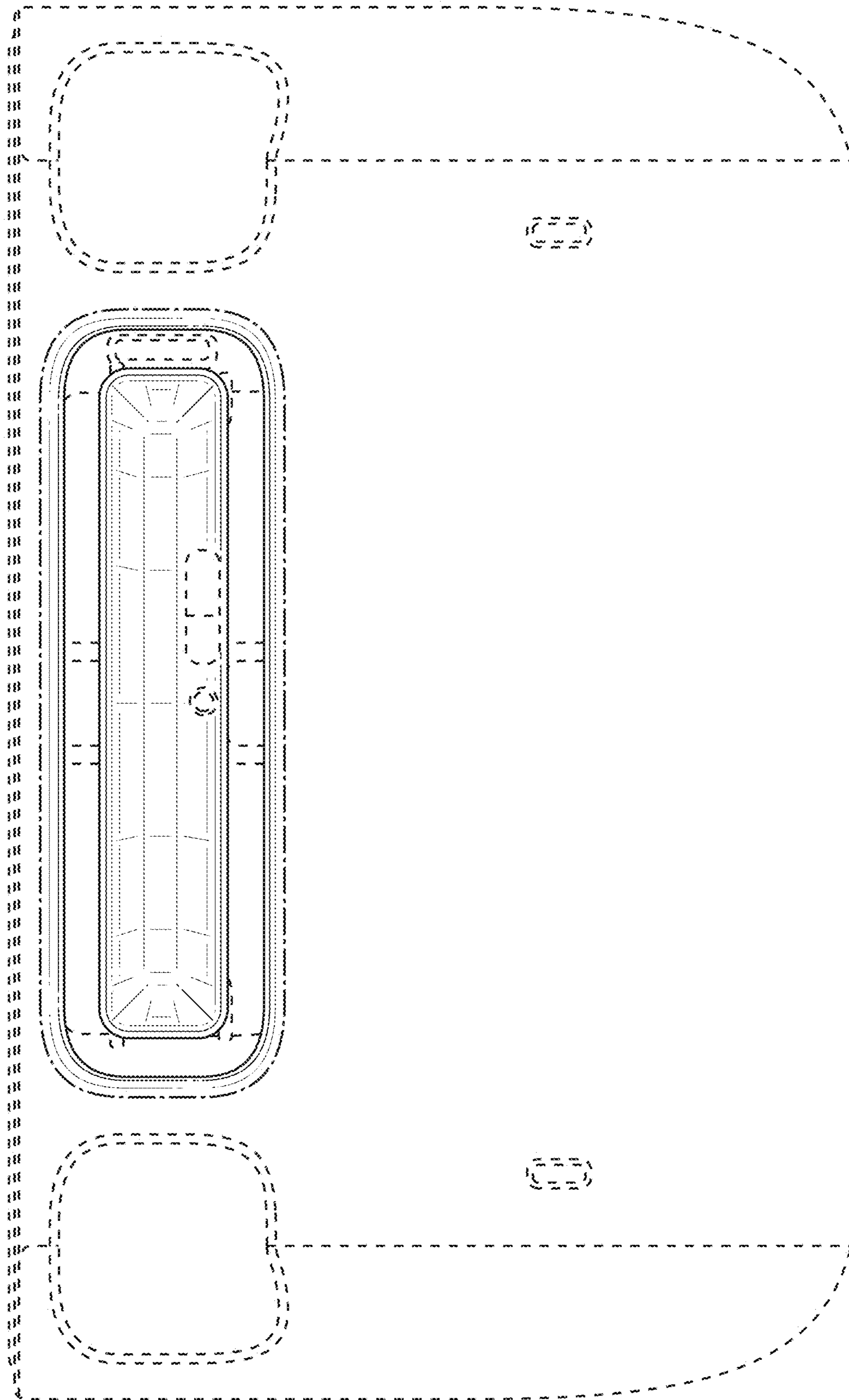


FIG. 2

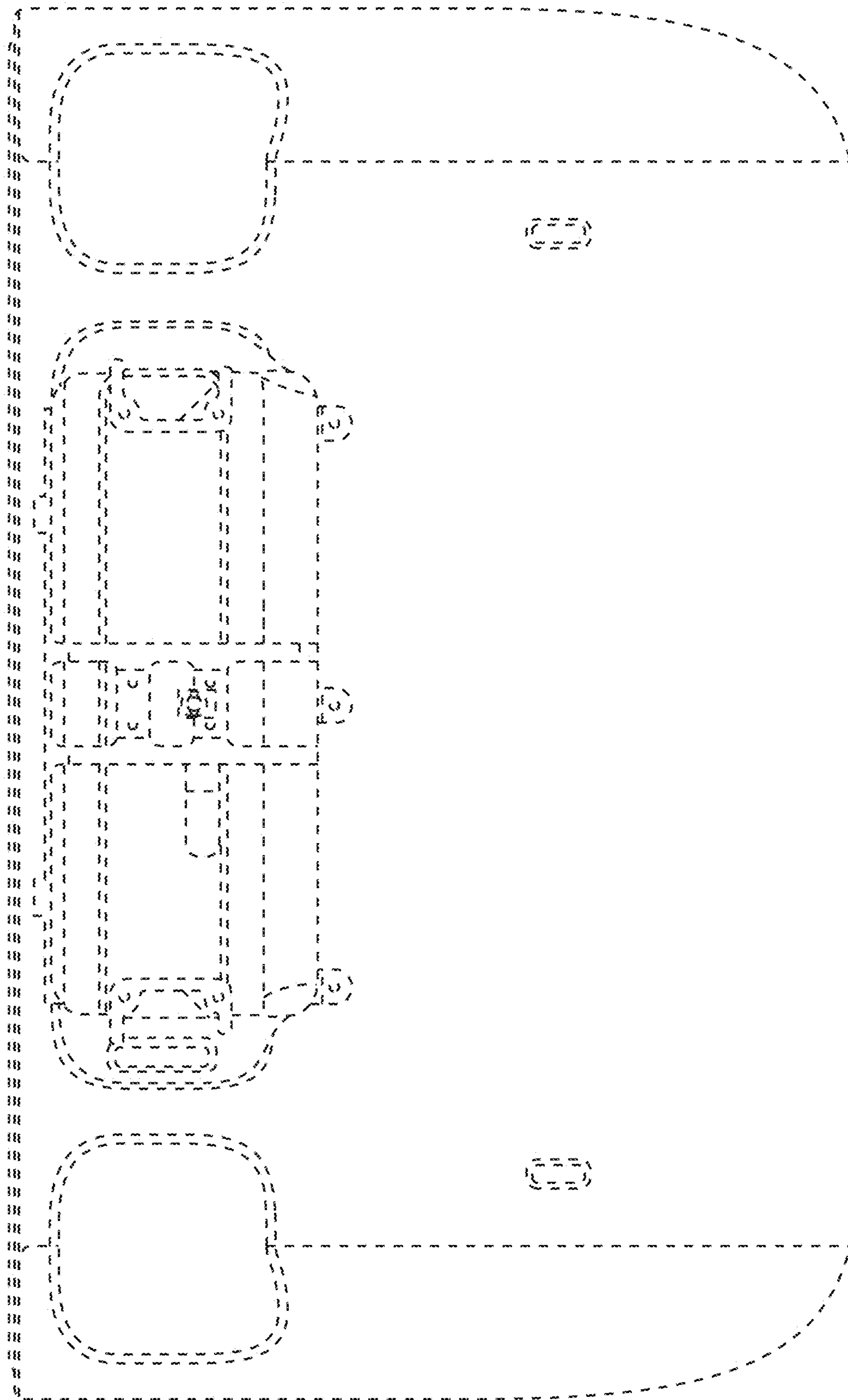


FIG. 3

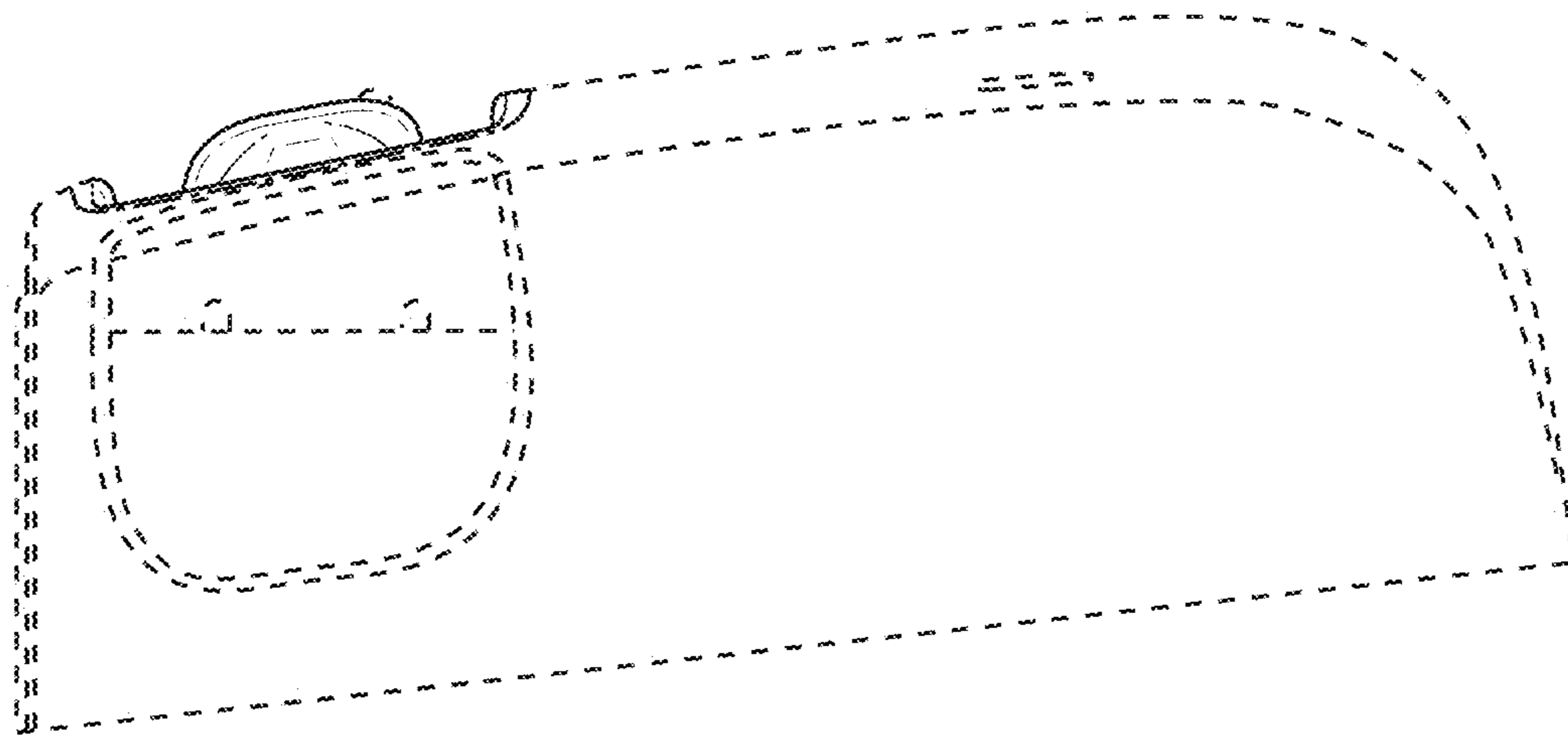


FIG. 4

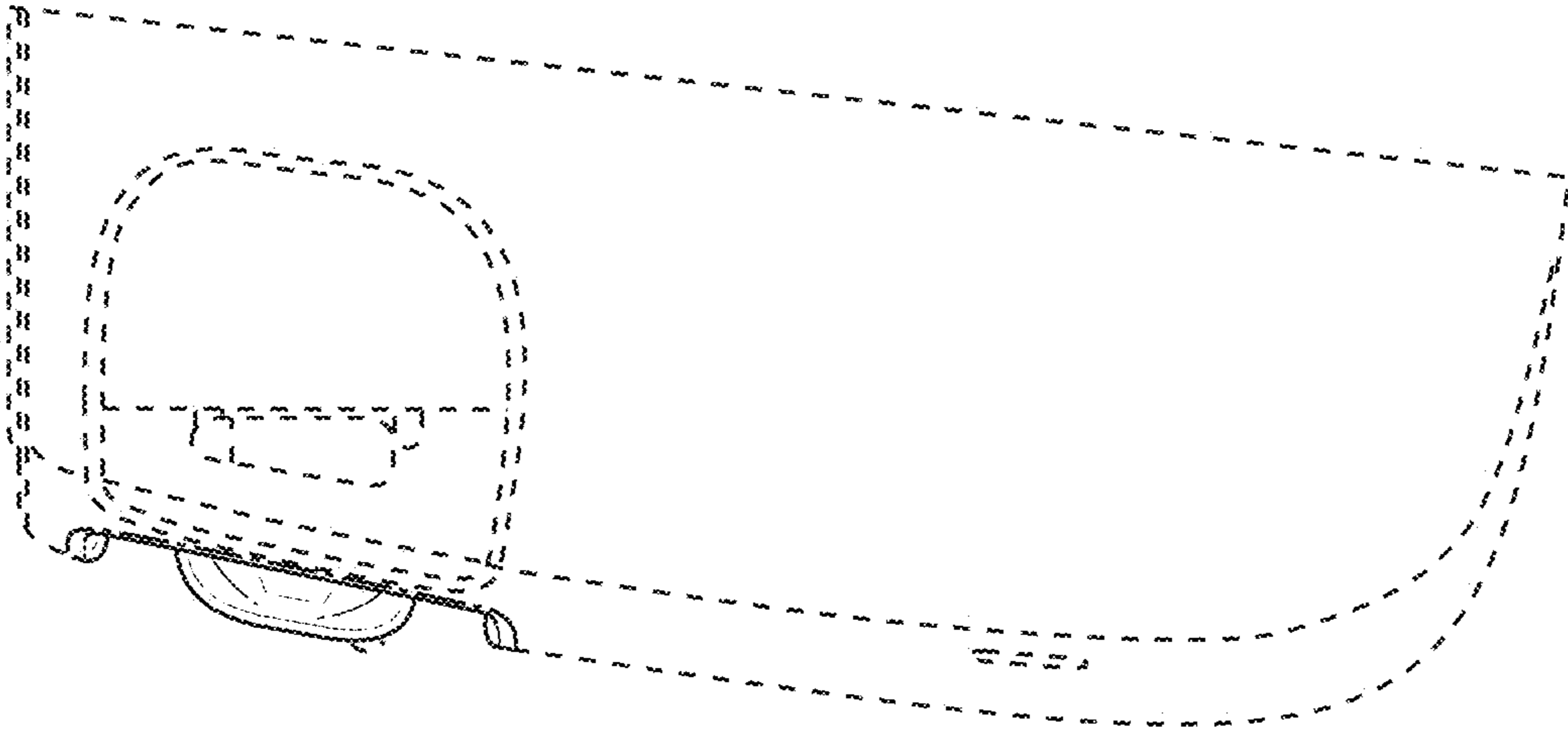


FIG. 5

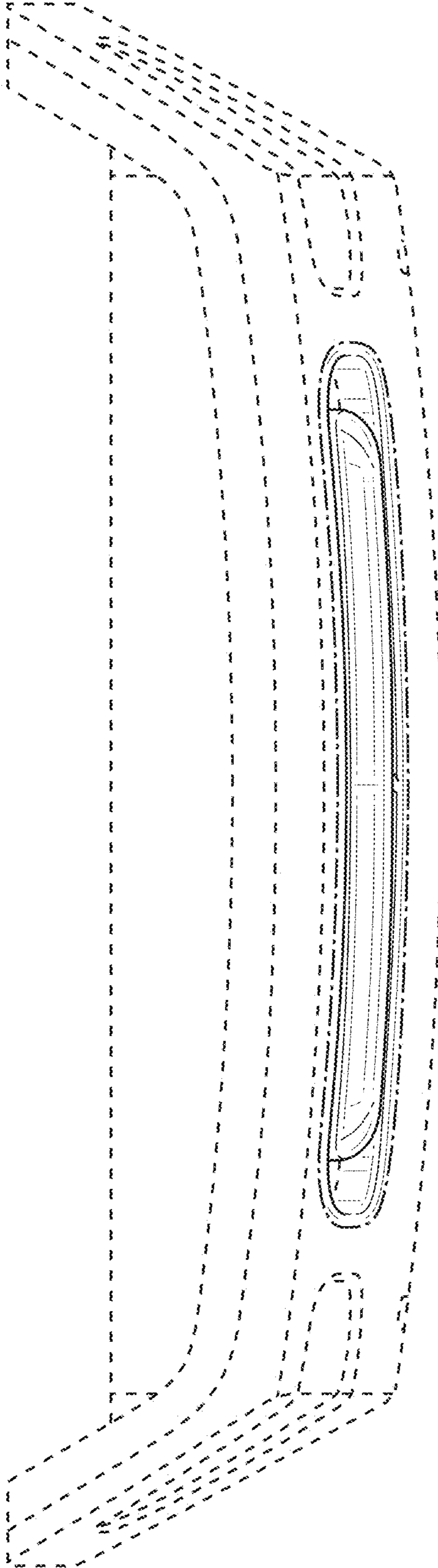


FIG. 6

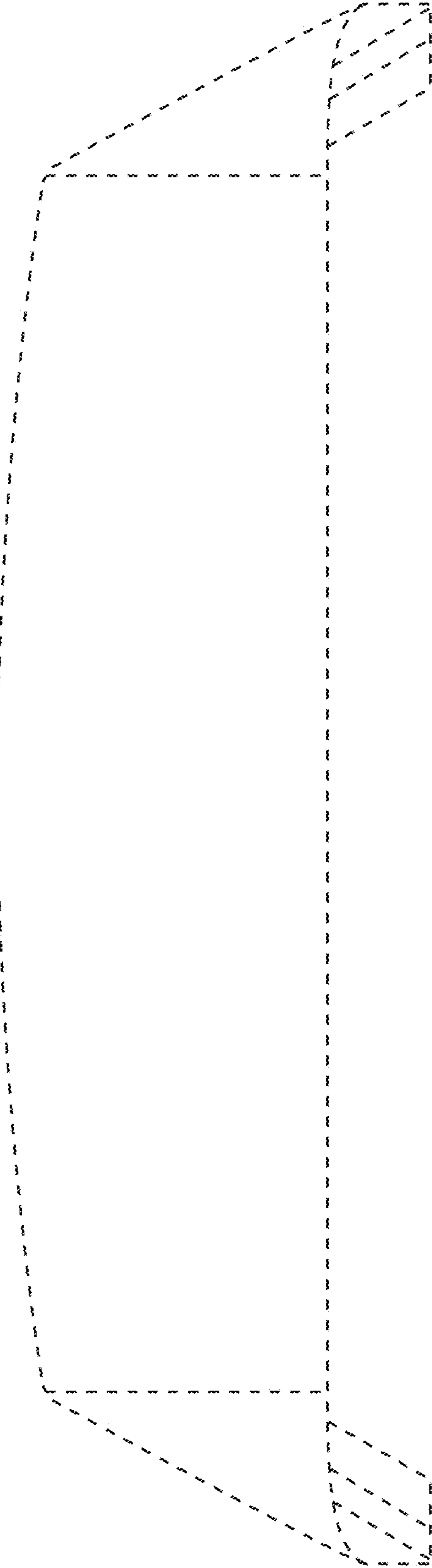


FIG. 7