



US00D931766S

(12) **United States Design Patent** (10) **Patent No.:** **US D931,766 S**  
**Robinson** (45) **Date of Patent:** **\*\* Sep. 28, 2021**

(54) **HITCH ADAPTER**

(71) Applicant: **John Harold Robinson**, Fairland, OK (US)

(72) Inventor: **John Harold Robinson**, Fairland, OK (US)

(\*\*) Term: **15 Years**

(21) Appl. No.: **29/723,671**

(22) Filed: **Feb. 10, 2020**

(51) **LOC (13) Cl.** ..... **12-16**

(52) **U.S. Cl.**  
USPC ..... **D12/162**

(58) **Field of Classification Search**  
USPC ..... D12/159, 160, 161, 162  
CPC . B60D 1/60; B60D 1/065; B60D 1/00; B60D 1/06; B60D 1/36  
See application file for complete search history.

(56) **References Cited**

U.S. PATENT DOCUMENTS

D832,155 S *	10/2018	Siegel .....	D12/162
D832,156 S *	10/2018	Johns .....	D12/162
D847,037 S *	4/2019	Hancock .....	D12/162
D855,499 S *	8/2019	Siegel .....	D12/162
D862,308 S *	10/2019	Siegel .....	D12/162
D863,124 S *	10/2019	Siegel .....	D12/162

D876,290 S *	2/2020	Kirkland .....	D12/162
D880,376 S *	4/2020	Goodner .....	D12/162
D887,910 S *	6/2020	Noel .....	D12/162
D888,618 S *	6/2020	Pang .....	D12/162
D901,337 S *	11/2020	Pang .....	D12/162
D909,923 S *	2/2021	Seid .....	D12/162
2006/0179784 A1 *	8/2006	Chen .....	F16B 21/00 52/698
2007/0176446 A1 *	8/2007	Eising .....	B66C 1/34 294/82.17
2008/0016659 A1 *	1/2008	Peterson .....	F16B 45/02 24/599.1

\* cited by examiner

*Primary Examiner* — Katrina A Betton

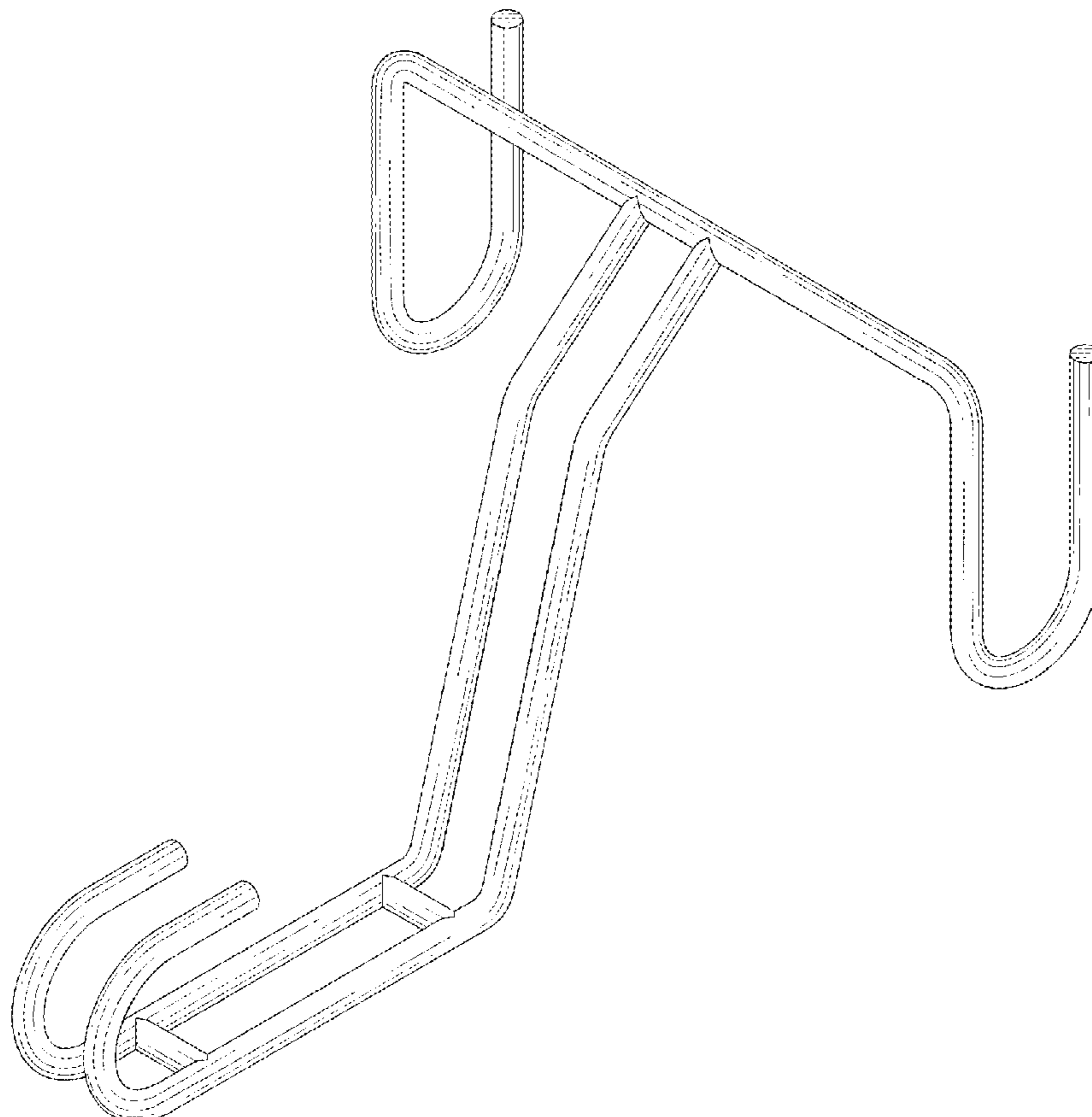
(57) **CLAIM**

The ornamental design for a hitch adapter, as shown and described.

**DESCRIPTION**

FIG. 1 is a top-front-left perspective view of a hitch adapter showing my new design;  
FIG. 2 is a bottom-rear-right perspective view thereof;  
FIG. 3 is a front elevational view thereof;  
FIG. 4 is a rear elevational view thereof;  
FIG. 5 is a left-side elevational view thereof;  
FIG. 6 is a right-side elevational view thereof;  
FIG. 7 is a top plan view thereof; and,  
FIG. 8 is a bottom plan view thereof.

**1 Claim, 8 Drawing Sheets**



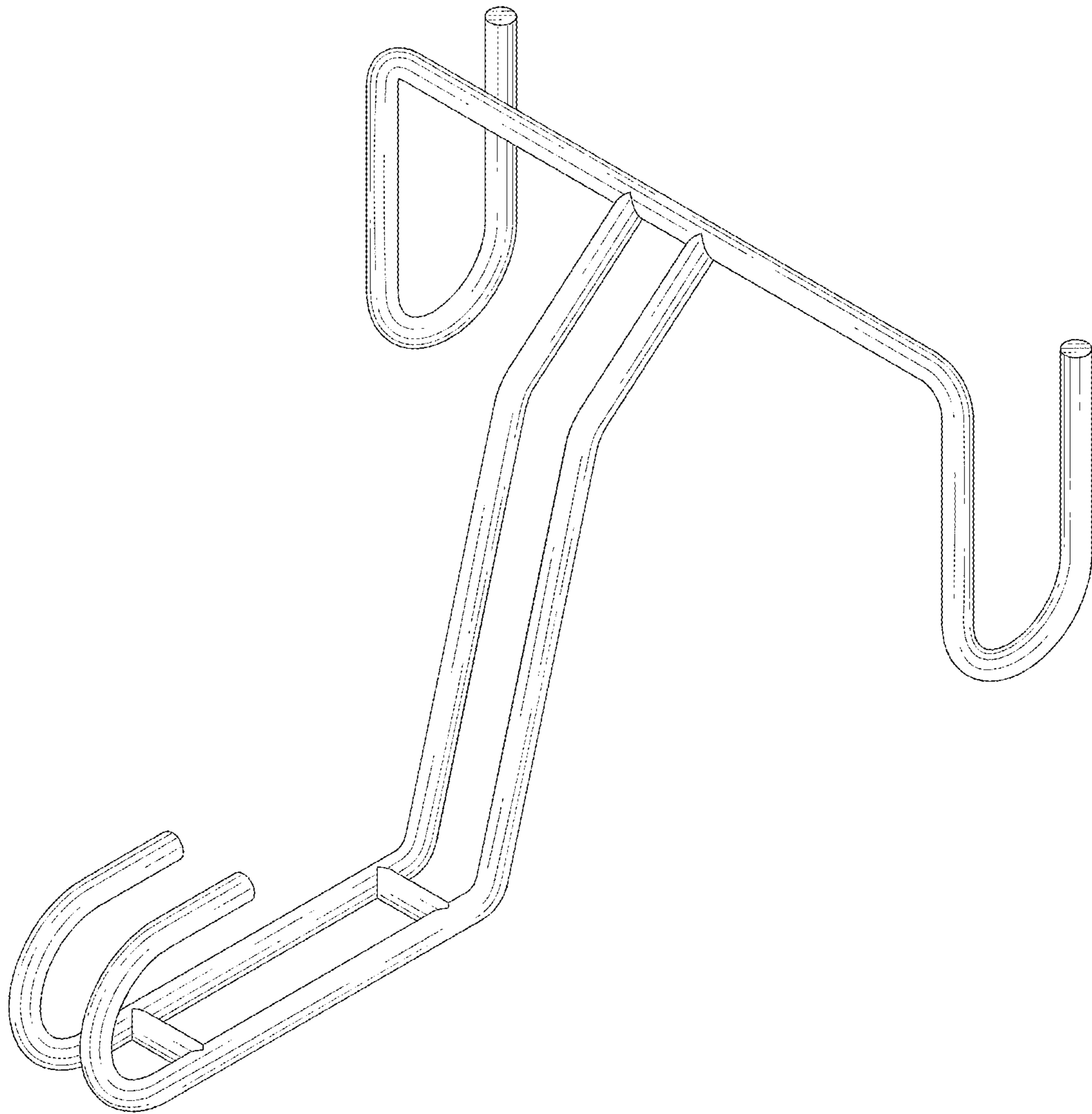


FIG. 1

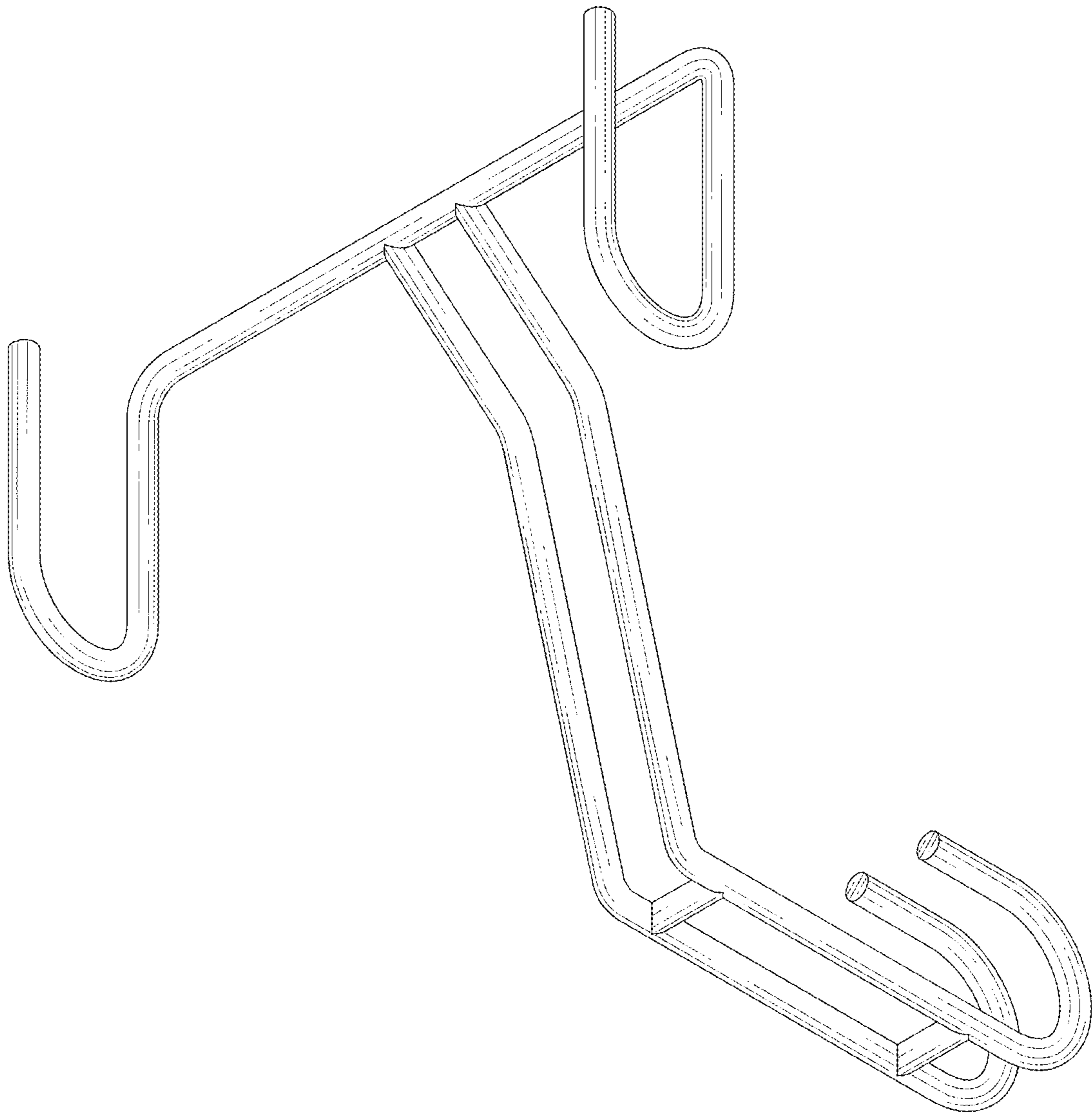


FIG. 2

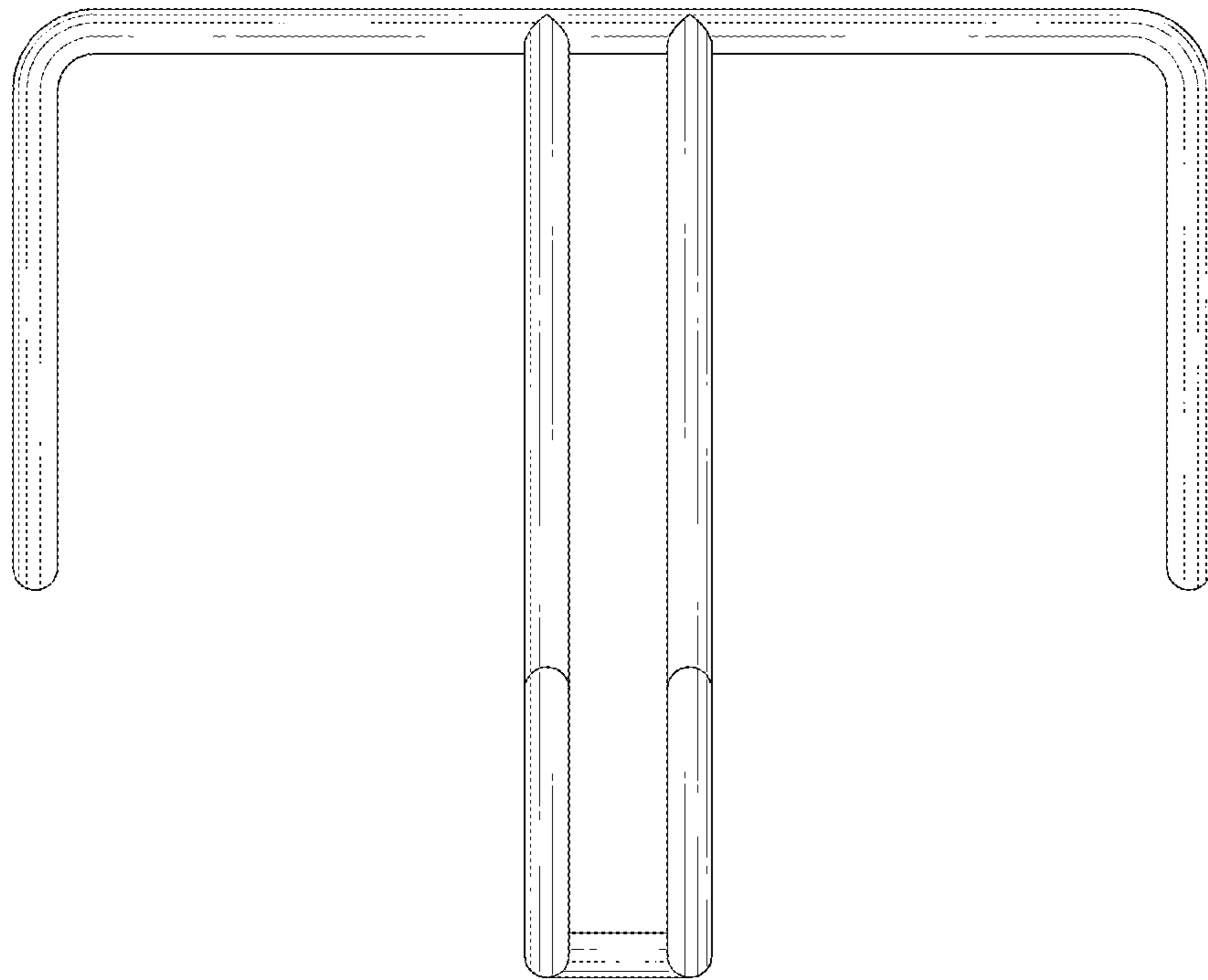


FIG. 3

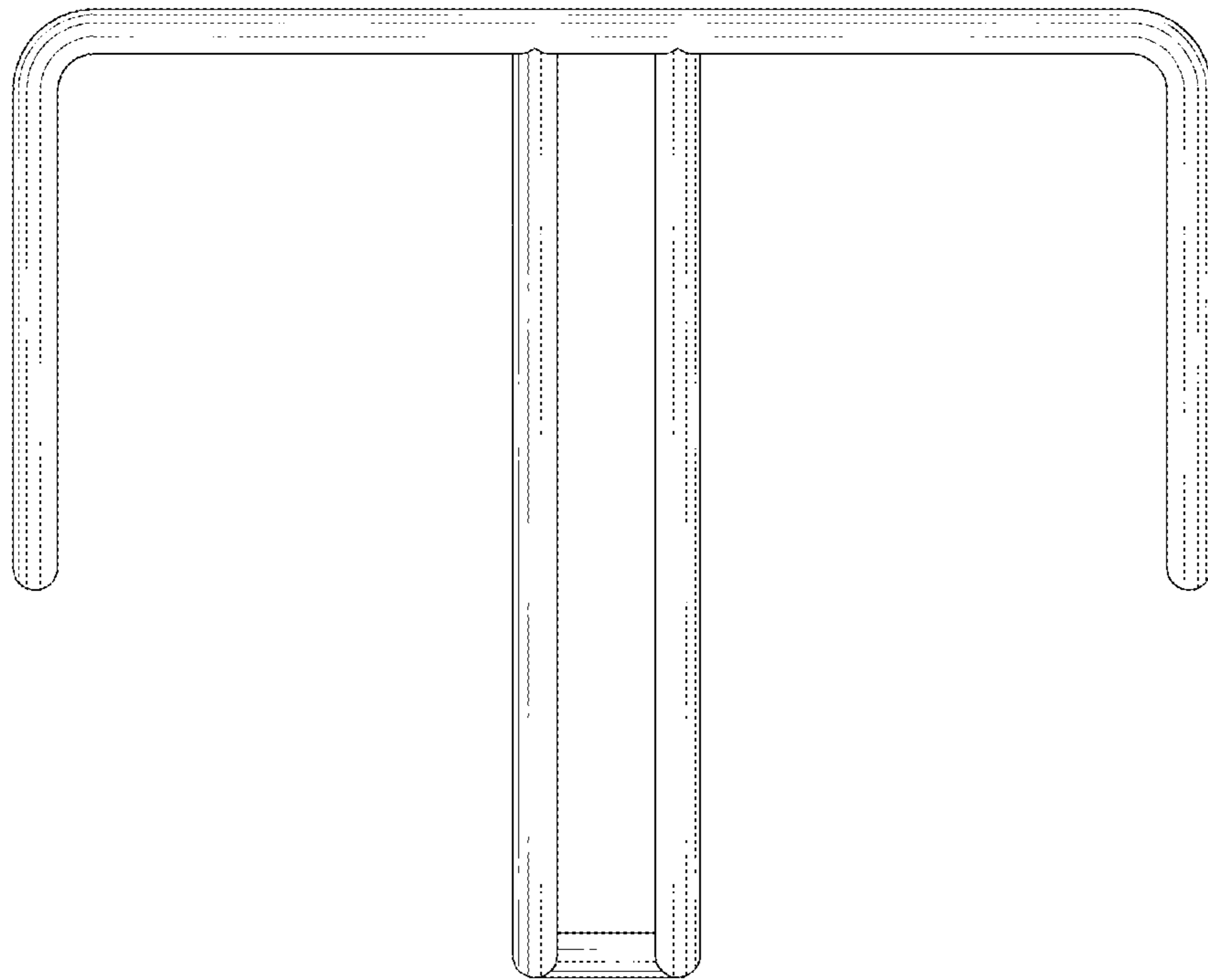


FIG. 4

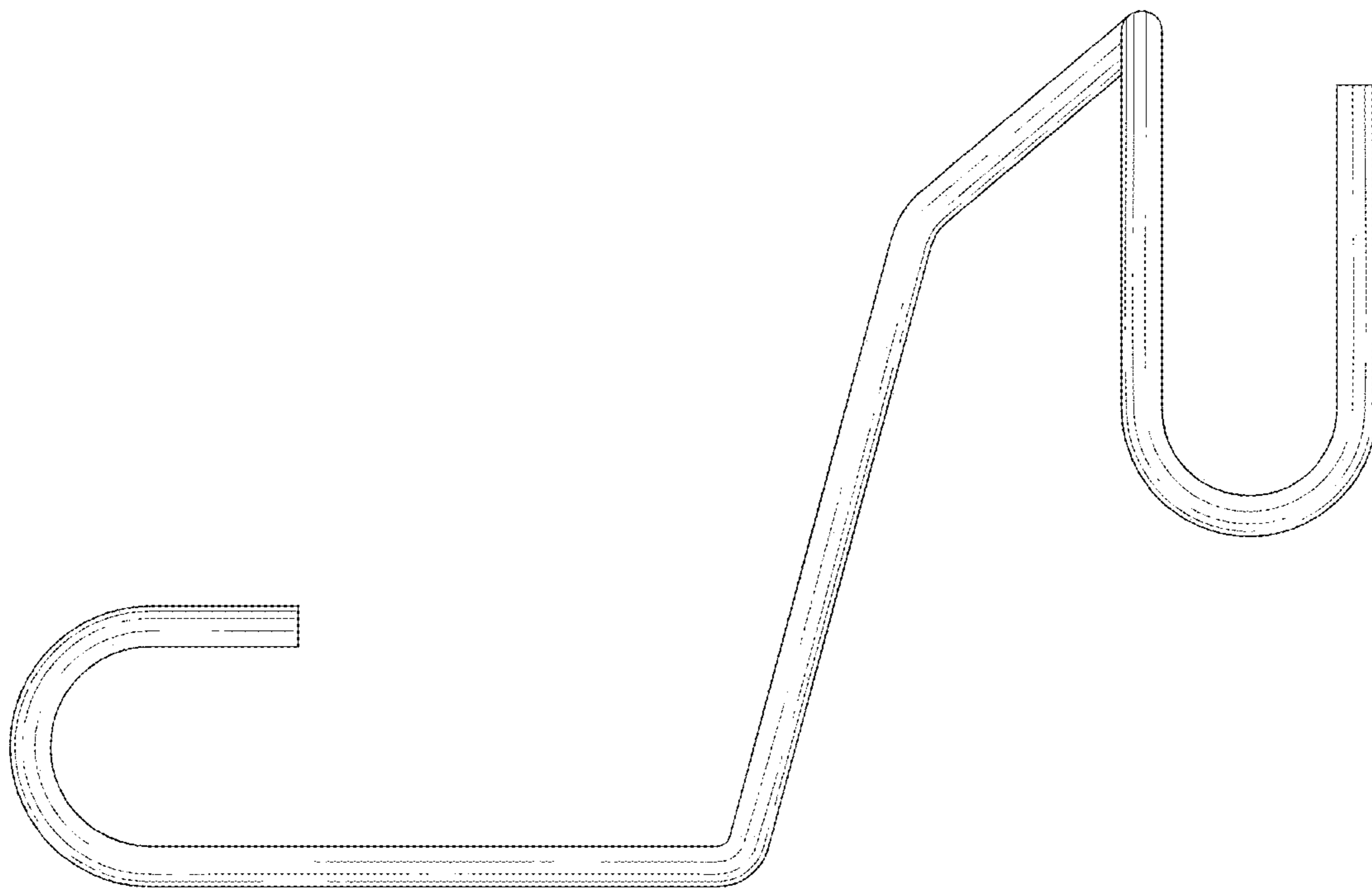


FIG. 5

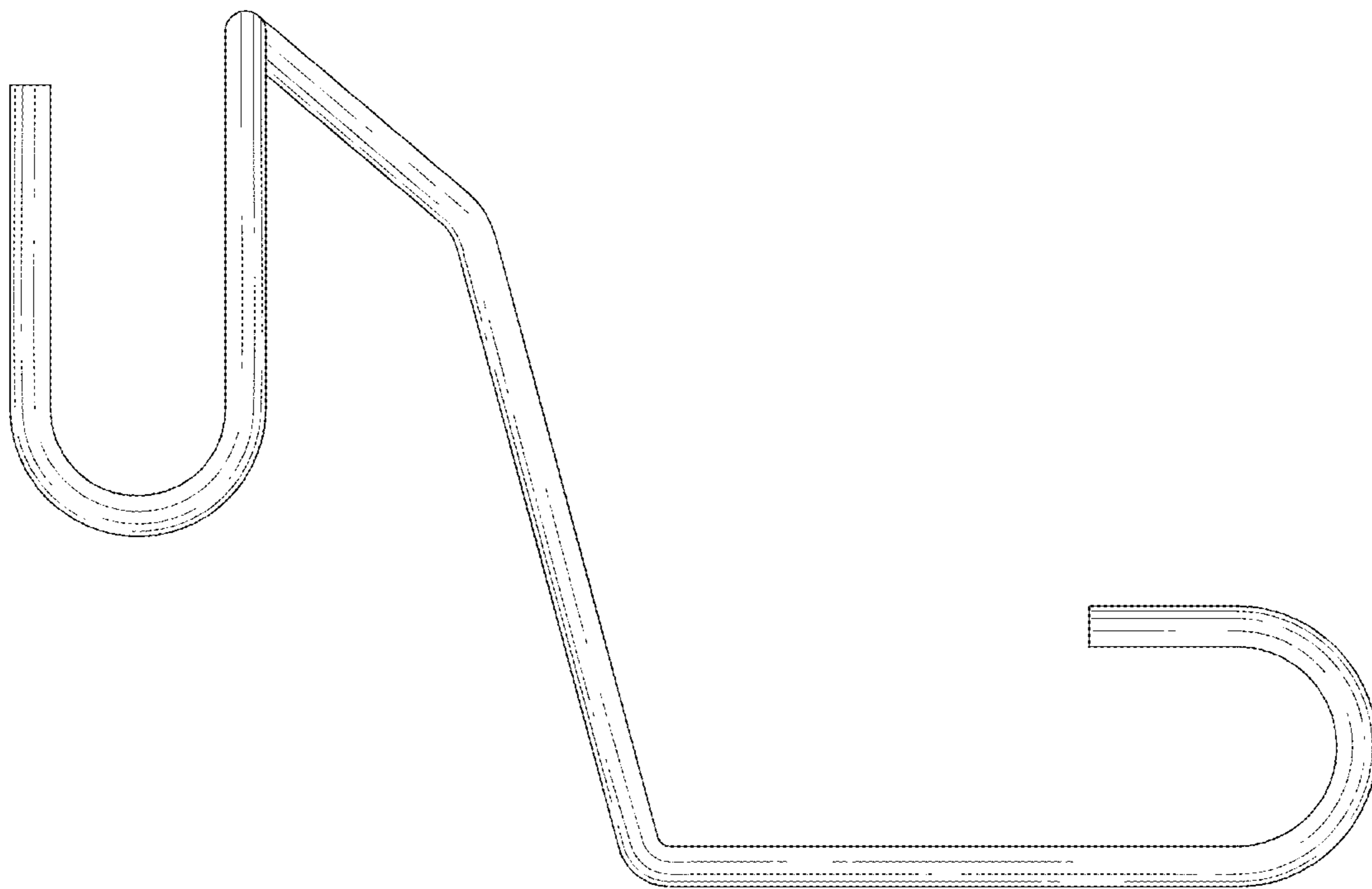


FIG. 6

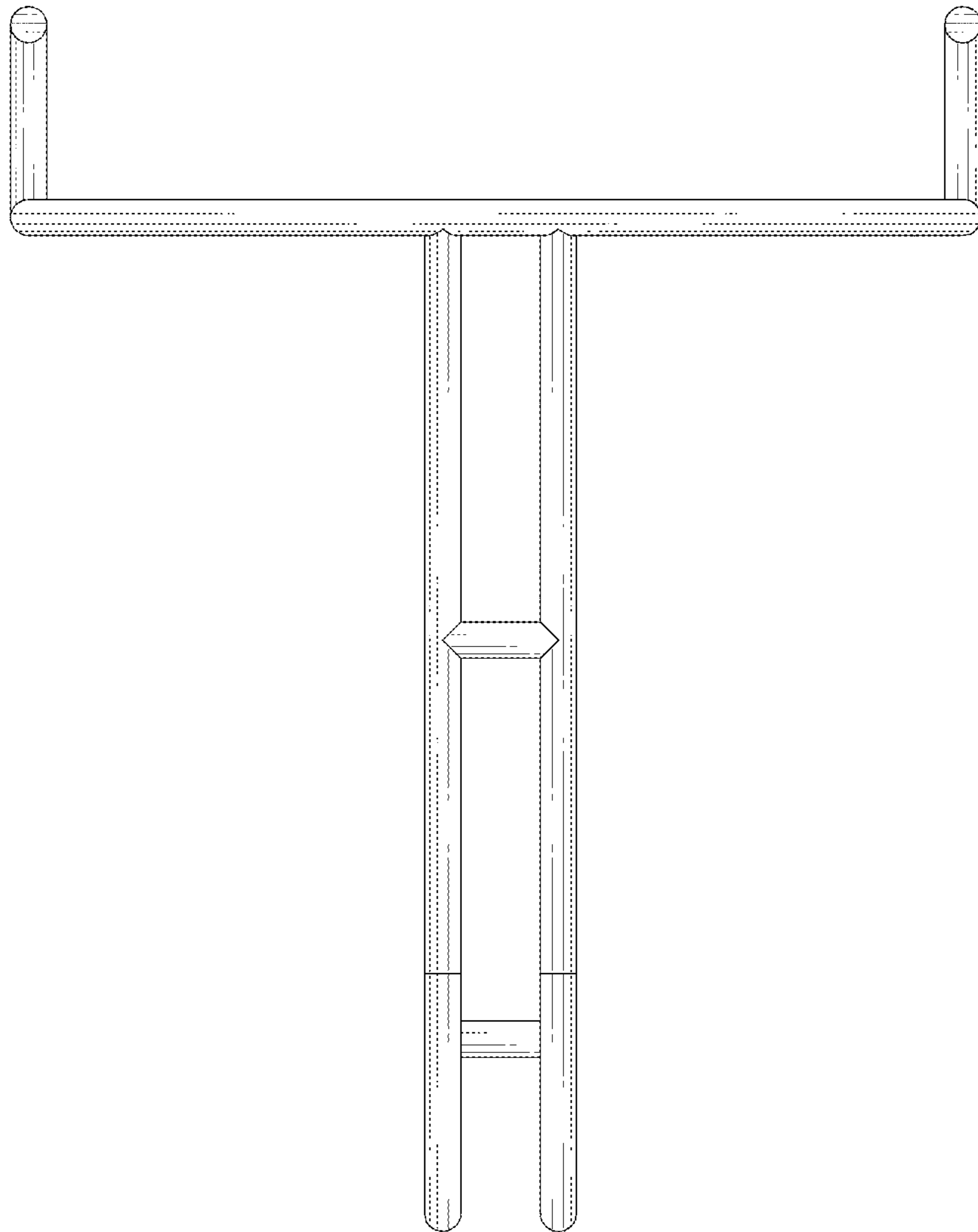


FIG. 7



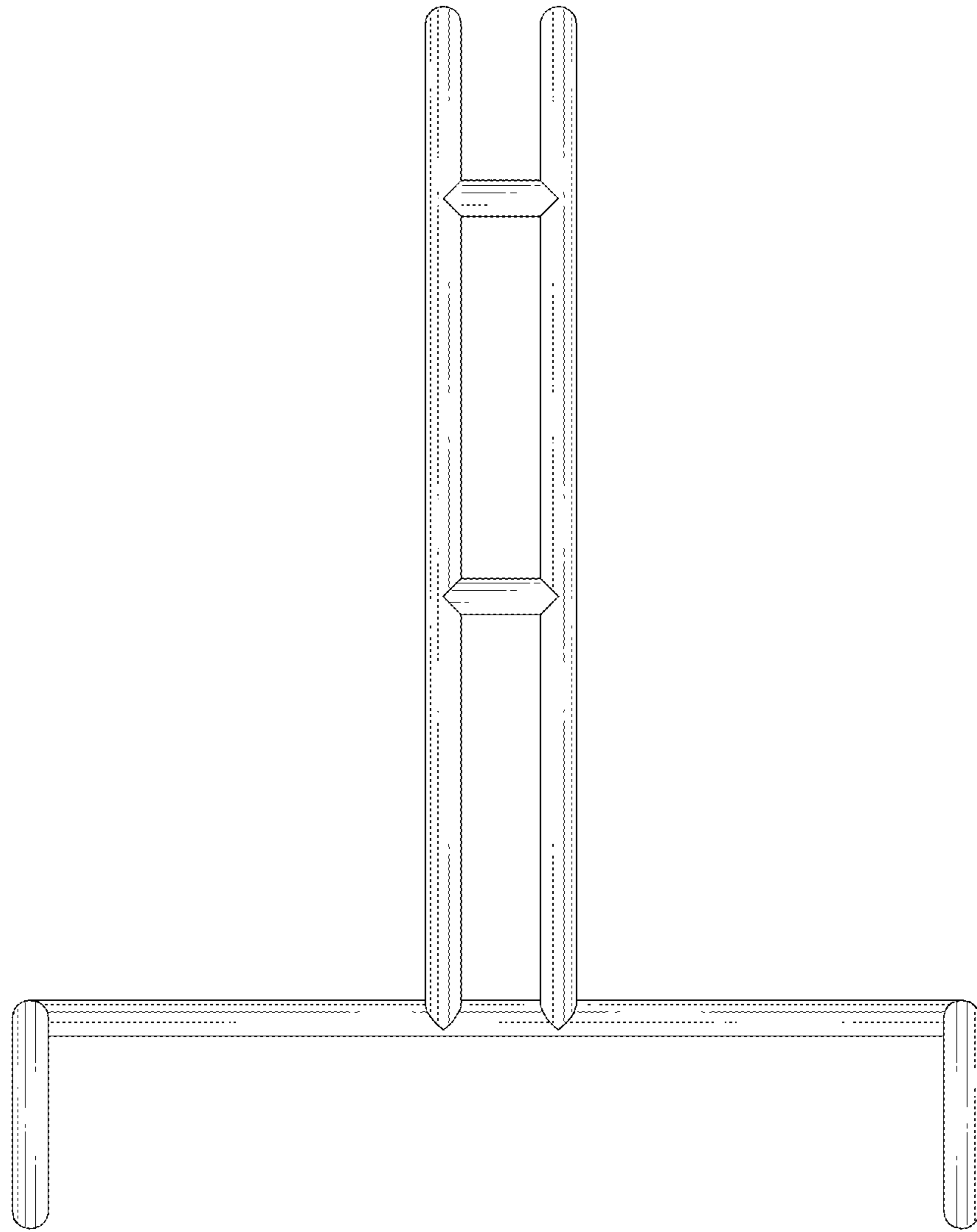


FIG. 8