



US00D931764S

(12) **United States Design Patent**
Grubert et al.

(10) **Patent No.:** **US D931,764 S**

(45) **Date of Patent:** **** Sep. 28, 2021**

(54) **WHEELED FRAME WITH MOTOR**

(74) *Attorney, Agent, or Firm* — Maginot, Moore & Beck LLP

(71) Applicant: **Robert Bosch GmbH**, Stuttgart (DE)

(57) **CLAIM**

(72) Inventors: **Marius Grubert**, Penzberg (DE);
Samuel Coendet, Munich (DE);
Emmanuel Delater, Munich (DE);
Christian Rogge, Munich (DE)

The ornamental design for a wheeled frame with motor, as shown and described.

(73) Assignee: **Robert Bosch GmbH**, Stuttgart (DE)

DESCRIPTION

(**) Term: **15 Years**

(21) Appl. No.: **29/683,838**

(22) Filed: **Mar. 15, 2019**

(30) **Foreign Application Priority Data**

Sep. 17, 2018 (EM) 005644093

(51) **LOC (13) Cl.** **12-12**

(52) **U.S. Cl.**
USPC **D12/133**

(58) **Field of Classification Search**
USPC D12/128–133
CPC B62B 7/00–04; B62B 9/00–28
See application file for complete search history.

(56) **References Cited**

U.S. PATENT DOCUMENTS

6,378,883 B1 *	4/2002	Epstein	A61G 5/04
				180/6.5
D742,286 S *	11/2015	Childs	D12/133
D772,112 S *	11/2016	Kim	D12/129
D780,642 S *	3/2017	Karshmer	D12/133
D785,511 S *	5/2017	Barenbrug	B60B 7/0026
				D12/133
D787,987 S *	5/2017	Kuenen	D12/129
D789,254 S *	6/2017	Koshiishi	D12/130

(Continued)

Cross reference is made to copending U.S. design patent application Ser. No. 29/683,827 entitled “Wheeled Frame with Motor” by Kindler et al., which was filed on even date herewith; U.S. design patent application Ser. No. 29/683,831 entitled “Wheeled Frame with Motor” by Kindler et al., which was filed on even date herewith; U.S. design patent application Ser. No. 29/683,832 entitled “Battery for Wheeled Frame with Motor” by Kindler et al., which was filed on even date herewith; U.S. design patent application Ser. No. 29/683,834 entitled “Motor Housing for Wheeled Frame with Motor” by Kindler et al., which was filed on even date herewith; and U.S. design patent application Ser. No. 29/683,840 entitled “Wheeled Frame with Motor” by Gruber et al., which was filed on even date herewith.

FIG. 1 is a first perspective view of a wheeled frame with motor showing our new design;

FIG. 2 is a left side elevational view of the wheeled frame with motor of FIG. 1;

FIG. 3 is a right side elevational view of the wheeled frame with motor of FIG. 1;

FIG. 4 is a front side elevational view of the wheeled frame with motor of FIG. 1;

FIG. 5 is a rear side elevational view of the wheeled frame with motor of FIG. 1;

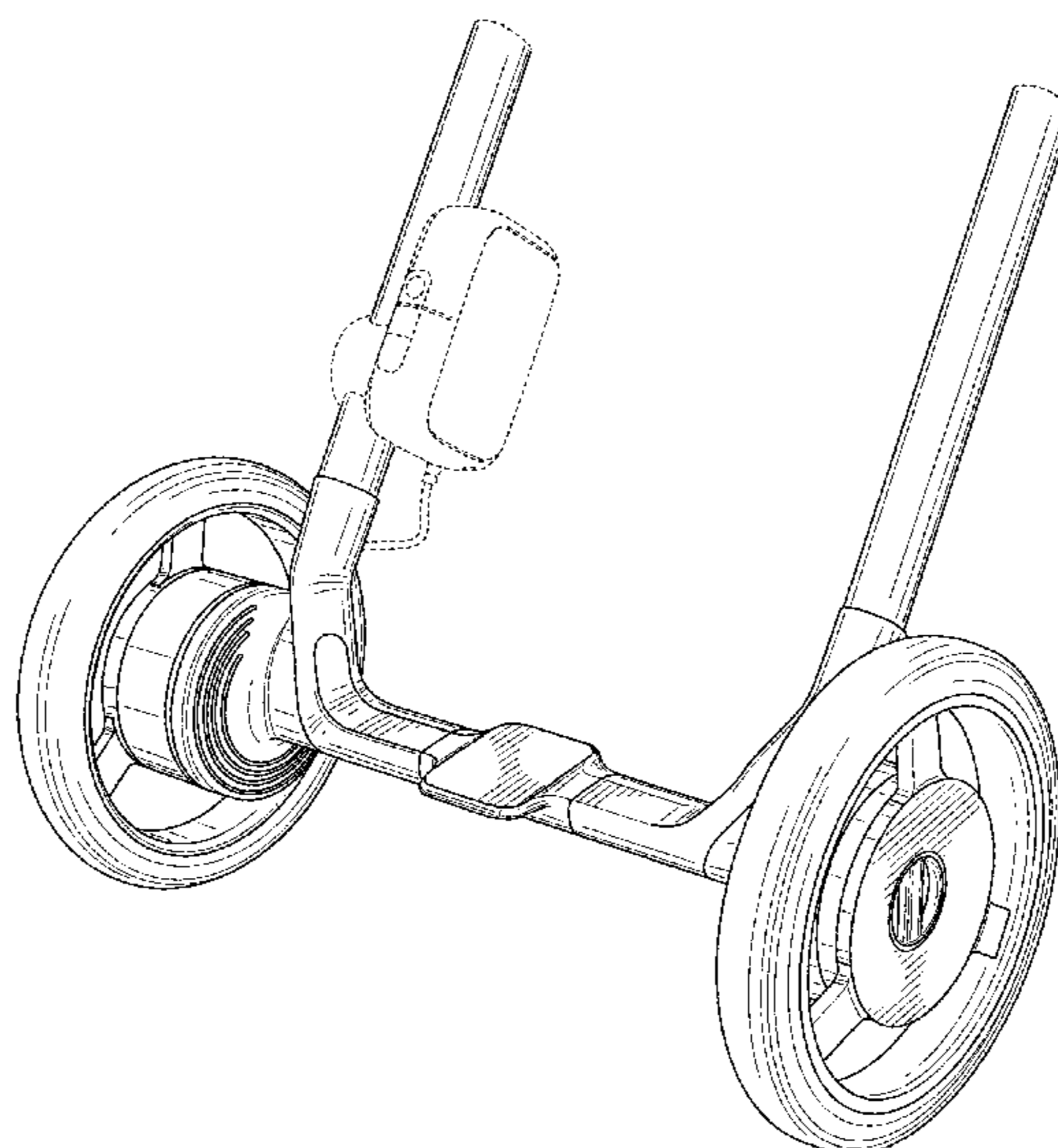
FIG. 6 is a top plan view of the wheeled frame with motor of FIG. 1; and,

FIG. 7 is a bottom plan view of the wheeled frame with motor of FIG. 1.

The broken lines shown in the drawings illustrate portions of the wheeled frame with motor that form no part of the claimed design.

Primary Examiner — Charles D Hanson

1 Claim, 4 Drawing Sheets



(56)

References Cited

U.S. PATENT DOCUMENTS

D798,778 S * 10/2017 Lin D12/130
D833,918 S * 11/2018 Gopaul D12/129
D869,345 S * 12/2019 Holleis D12/129
D874,351 S * 2/2020 Fellingham D12/130
D886,688 S * 6/2020 Chan D12/131
D906,242 S * 12/2020 Wu D13/112
D906,900 S * 1/2021 Walker D12/129
10,910,907 B2 * 2/2021 Yamada H02K 5/165
10,918,542 B2 * 2/2021 Daniel A61G 5/1051
D911,927 S * 3/2021 Kindler D13/103
10,933,937 B2 * 3/2021 Shang B62K 19/40
D915,247 S * 4/2021 Haley D12/129

* cited by examiner

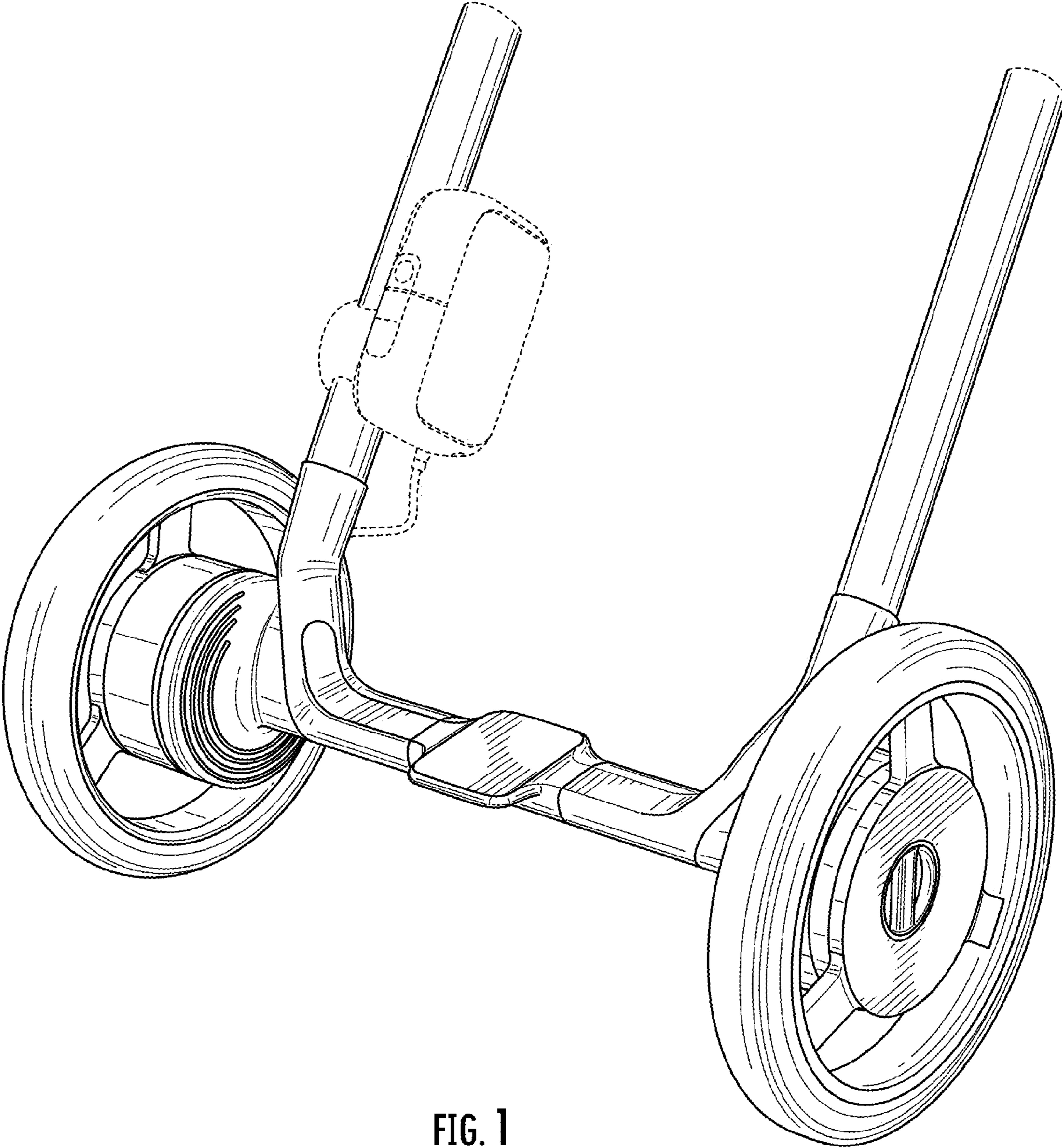


FIG. 1

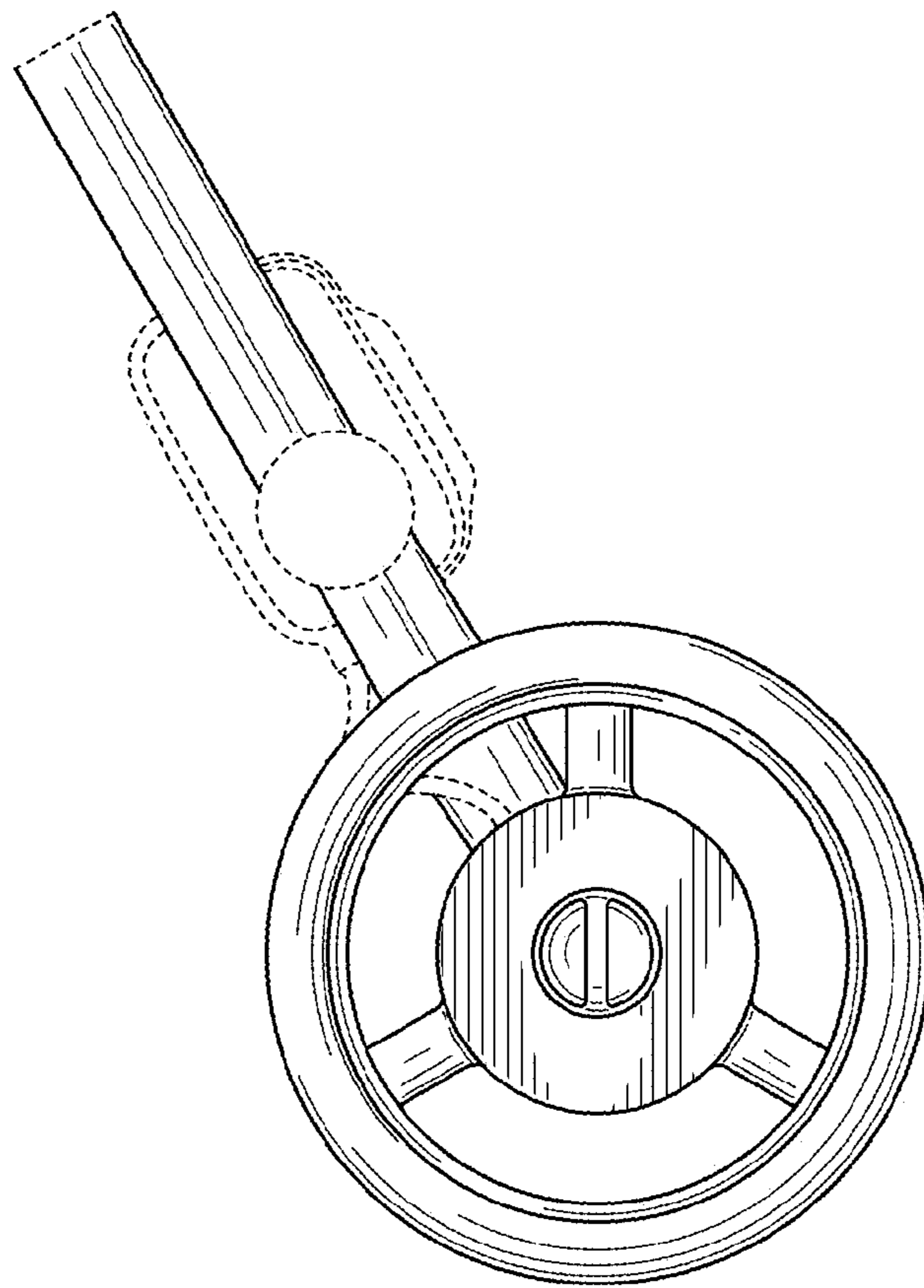


FIG. 2

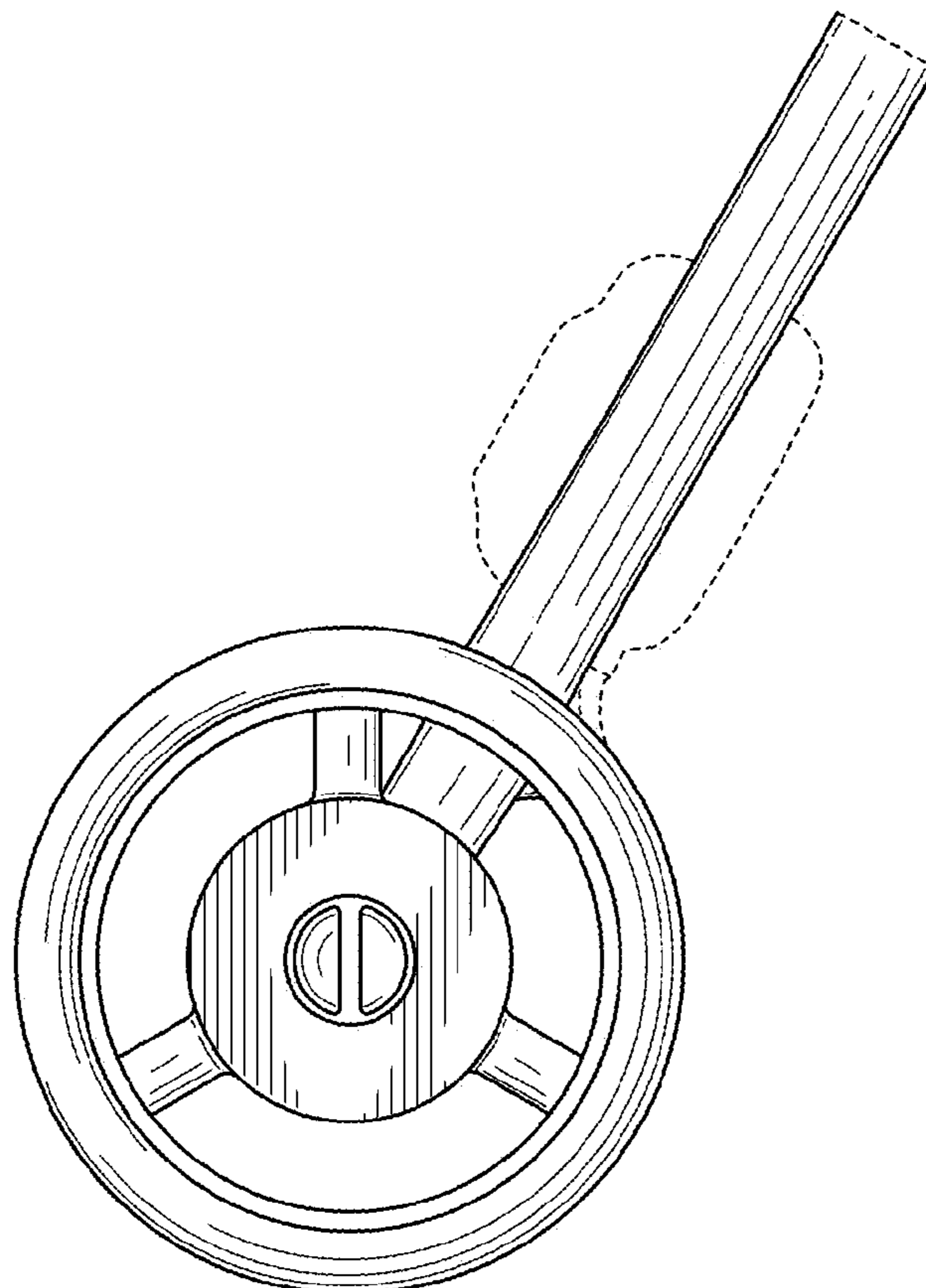


FIG. 3

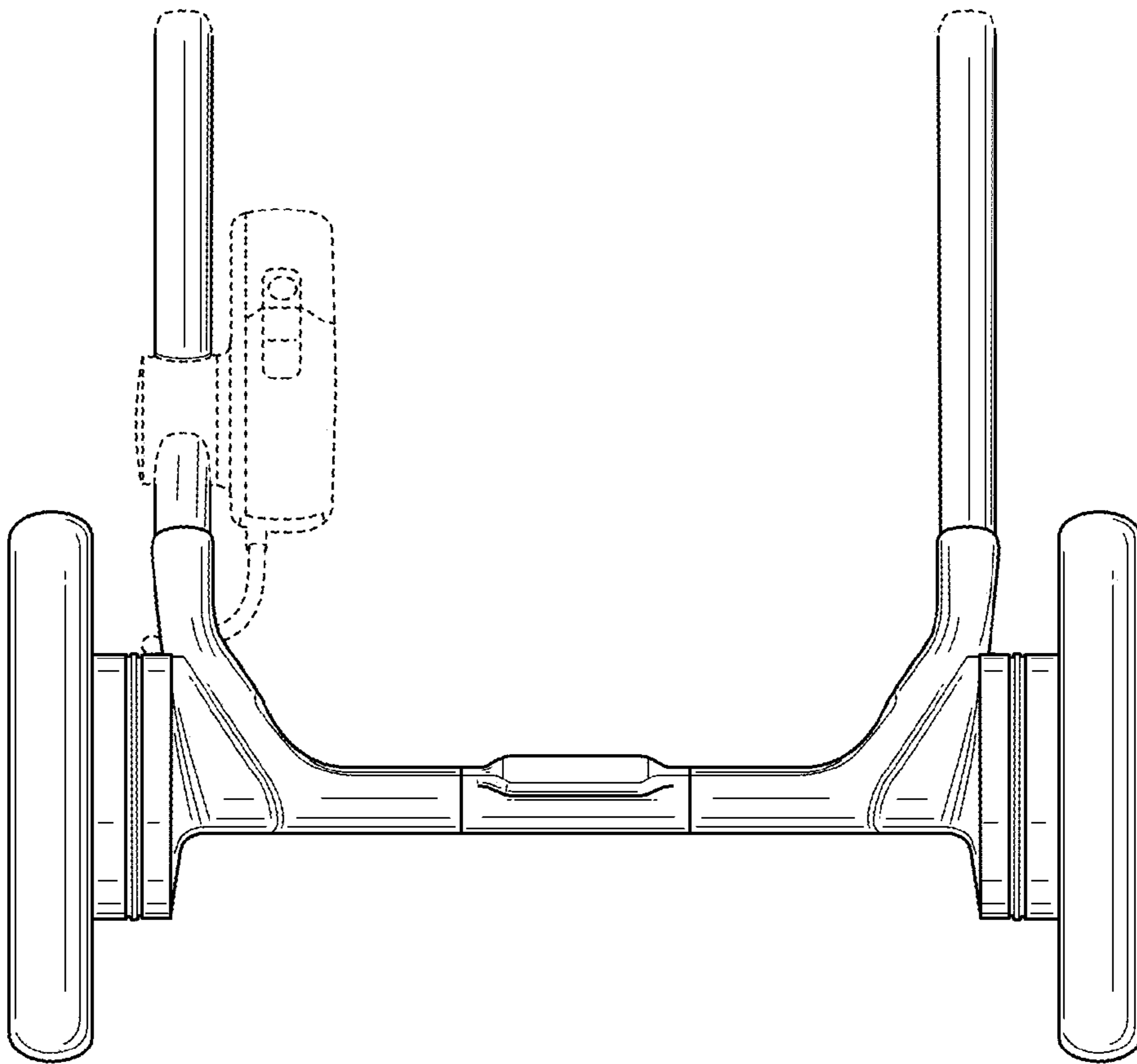


FIG. 4

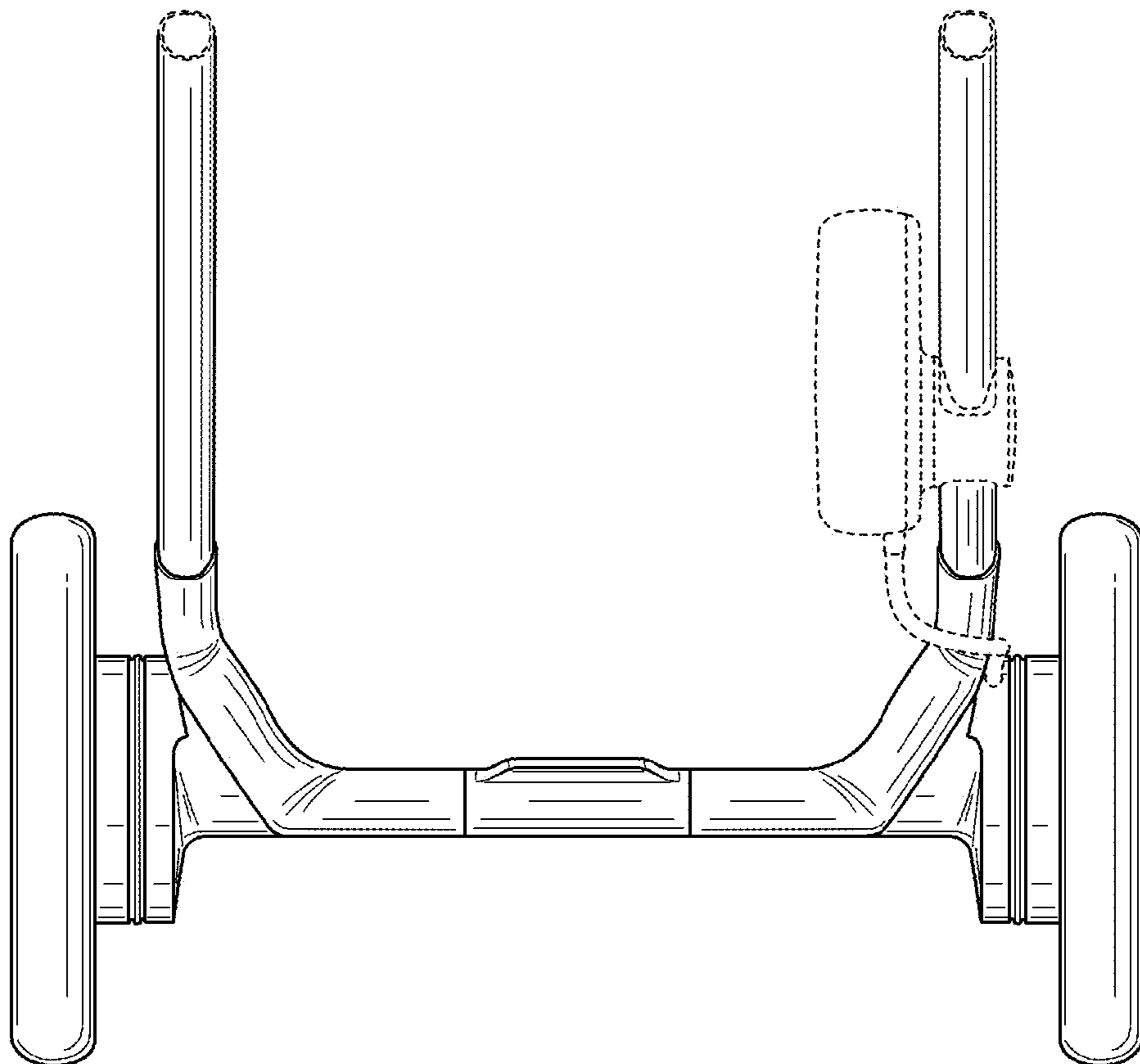


FIG. 5

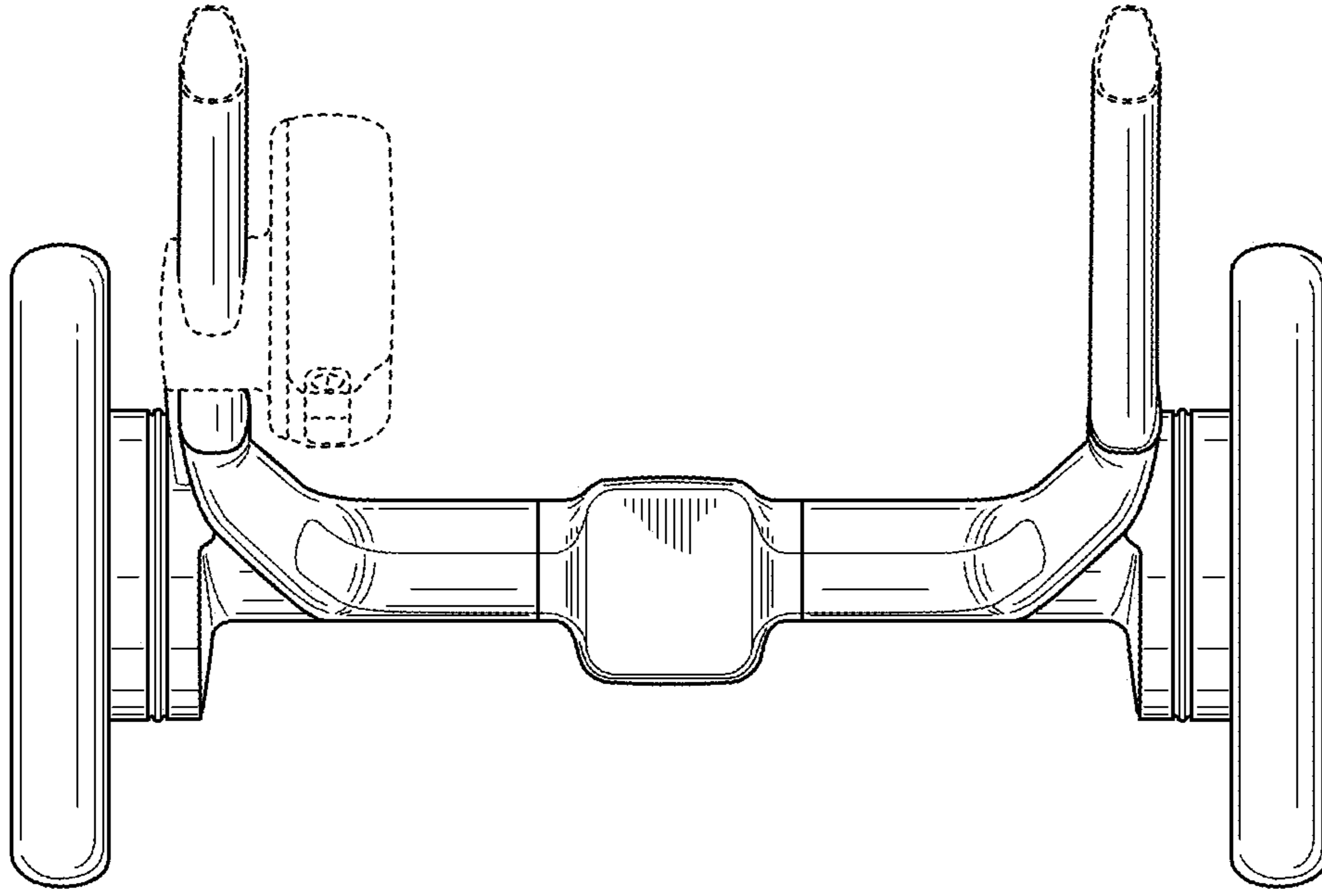


FIG. 6

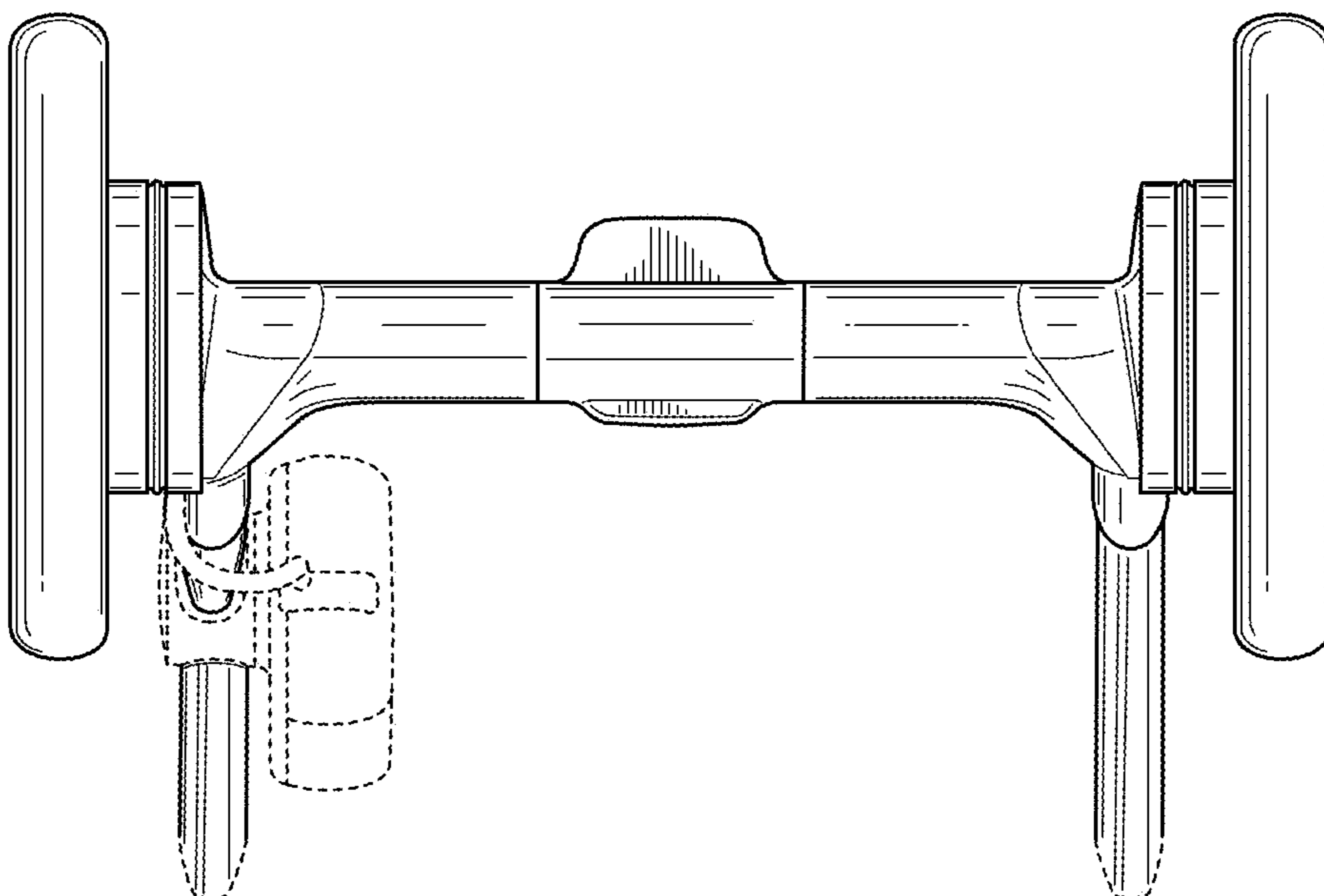


FIG. 7