



US00D931763S

(12) **United States Design Patent** (10) **Patent No.:** **US D931,763 S**
Madden (45) **Date of Patent:** **** Sep. 28, 2021**

(54) **PAIR OF MOTORCYCLE ENGINE CYLINDER HEAD COVERS**

(71) Applicant: **Ciro, LLC**, Hudson, WI (US)

(72) Inventor: **Kenneth E. Madden**, Ramsey, MN (US)

(73) Assignee: **CIRO CORPORATION**, Hudson, WI (US)

(**) Term: **15 Years**

(21) Appl. No.: **29/725,430**

(22) Filed: **Feb. 25, 2020**

(51) **LOC (13) Cl.** **12-11**

(52) **U.S. Cl.**
USPC **D12/114; D15/5**

(58) **Field of Classification Search**
USPC D12/114, 126, 180, 107, 110; D15/1, 2, D15/3, 5, 6, 149
CPC . F02B 61/02; F02F 7/00; F02F 7/0036; F02F 7/0039; F02F 7/0058; B62J 17/00; B62J 23/00

See application file for complete search history.

(56) **References Cited**

U.S. PATENT DOCUMENTS

D593,581 S *	6/2009	Sammons	D15/5
D626,969 S *	11/2010	Gelardi	D15/5
D648,351 S *	11/2011	Michimura	D15/5
8,590,503 B2 *	11/2013	Hutter	F02F 7/006 123/195 C
D716,704 S *	11/2014	Schanz	D12/126
D739,311 S *	9/2015	Schanz	D12/114
D753,026 S *	4/2016	Schanz	D12/126
D776,018 S *	1/2017	Kiska	D12/126
D845,999 S *	4/2019	Burns	D15/5
2004/0055555 A1 *	3/2004	Baek	F02F 7/006 123/195 C

2008/0011280 A1 *	1/2008	Tawarada	F02M 35/104 123/572
2008/0127953 A1 *	6/2008	Shieh	F01M 13/0416 123/573
2009/0038579 A1 *	2/2009	Shieh	F01M 13/0416 123/195 C

(Continued)

OTHER PUBLICATIONS

“Cylinder Head Covers for 2018 Gold Wing” Wingstuff., posted date Nov. 29, 2018 [online], [retrieved on Jun. 3, 2021]. Retrieved from the Internet <<https://wingstuff.com/products/38001-cylinder-head-covers-for-2018-gold-wing>> (Year: 2018).*

(Continued)

Primary Examiner — Darlington Ly

Assistant Examiner — Nasim Abdulaziz Ali

(74) *Attorney, Agent, or Firm* — Dicke, Billig & Czaja, PLLC

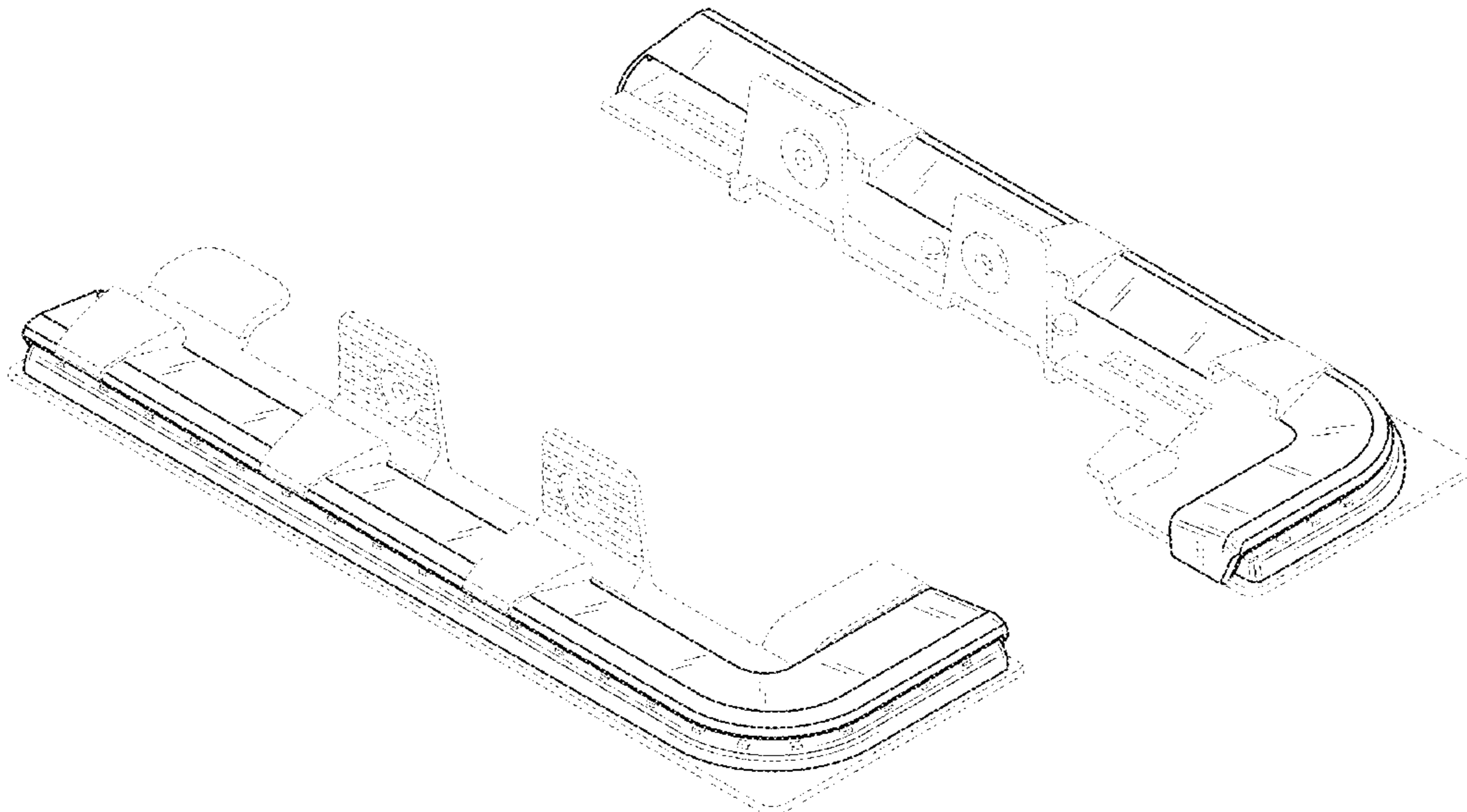
(57) **CLAIM**

The ornamental design for a pair of motorcycle engine cylinder head covers, as shown and described.

DESCRIPTION

FIG. 1 is a perspective view of the left and right pair of motorcycle engine cylinder head covers, the left cover being a rear perspective view and the right cover being a front perspective view embodying my new design; FIG. 2 is a front elevation view thereof; FIG. 3 is a rear elevation view thereof; FIG. 4 is a top plan view thereof; FIG. 5 is a bottom plan view thereof; FIG. 6 is a right side elevation view thereof; and, FIG. 7 is a left side elevation view thereof. The base, mounting tabs, top surface protrusions, and LED lights of each cylinder head cover shown in broken lines form no part of the claimed design.

1 Claim, 7 Drawing Sheets



(56)

References Cited

U.S. PATENT DOCUMENTS

2018/0171840 A1* 6/2018 Isoshima F01M 13/04

OTHER PUBLICATIONS

“Machete™ Saddlebag LED Lights” Ciro3d., posted date Mar. 12, 2019 [online], [retrieved on Jun. 3, 2021]. Retrieved from the Internet <[http://www.bigbikeparts.com/templates/product.aspx?ProductGuid=52-954&GroupGuid=16#52-954Gallery\[pp_gal\]/1/](http://www.bigbikeparts.com/templates/product.aspx?ProductGuid=52-954&GroupGuid=16#52-954Gallery[pp_gal]/1/)> (Year: 2019).*

“Motorcycle Cylinder Head Guards Protector Cover Engine” Beautyexpectly., posted date Mar. 15, 2018 [online], [retrieved on Jun. 3, 2021]. Retrieved from the Internet <<https://tinyurl.com/2zn6w2z8>> (Year: 2018).*

* cited by examiner

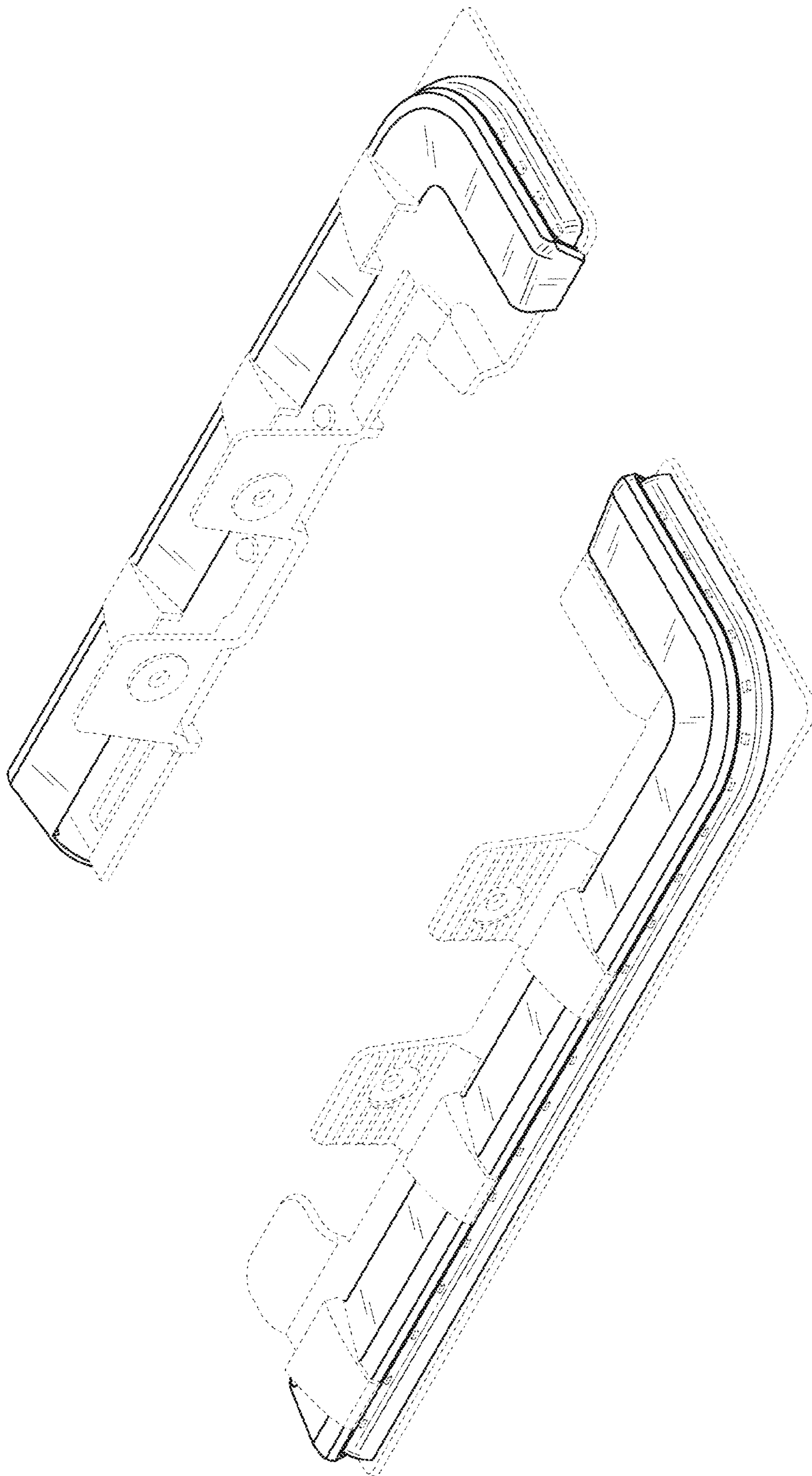


Fig. 1

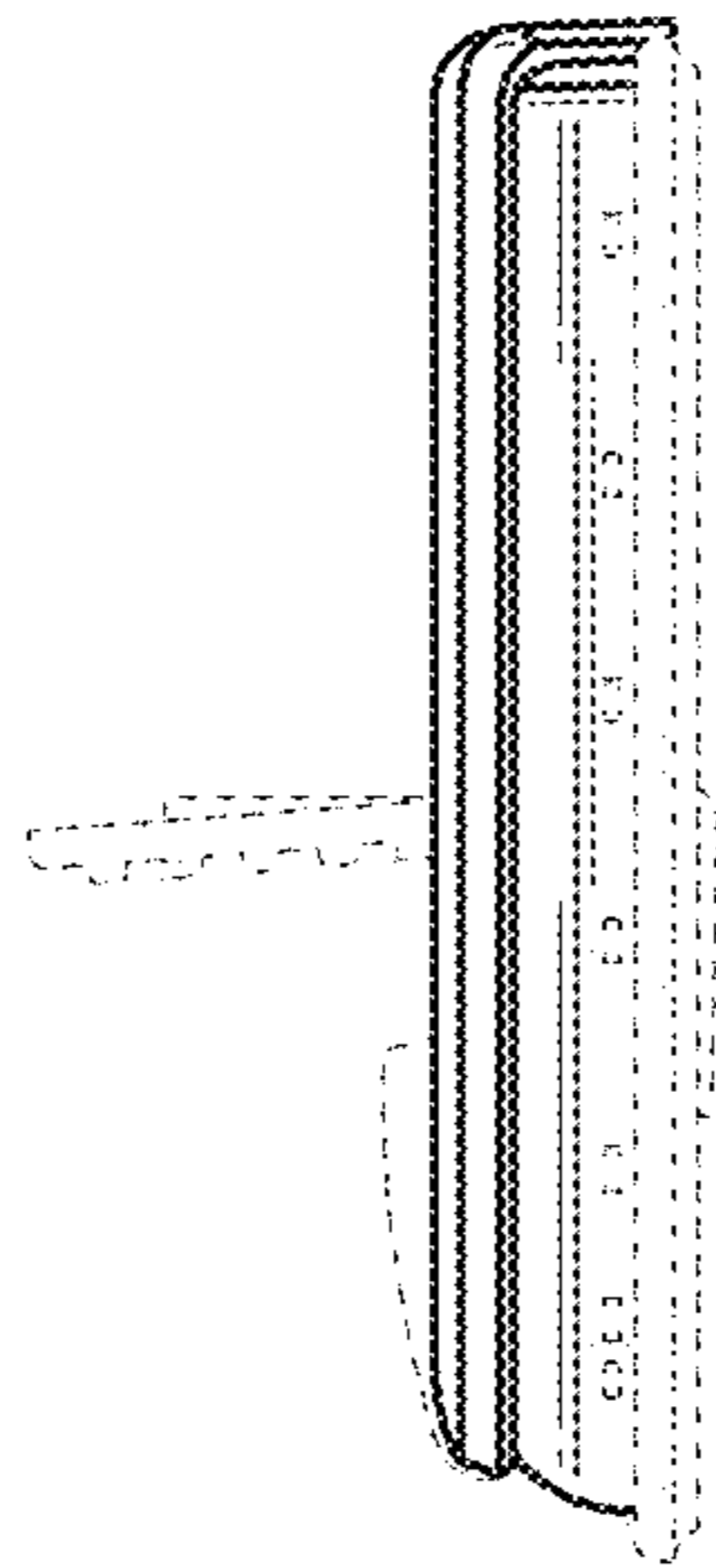
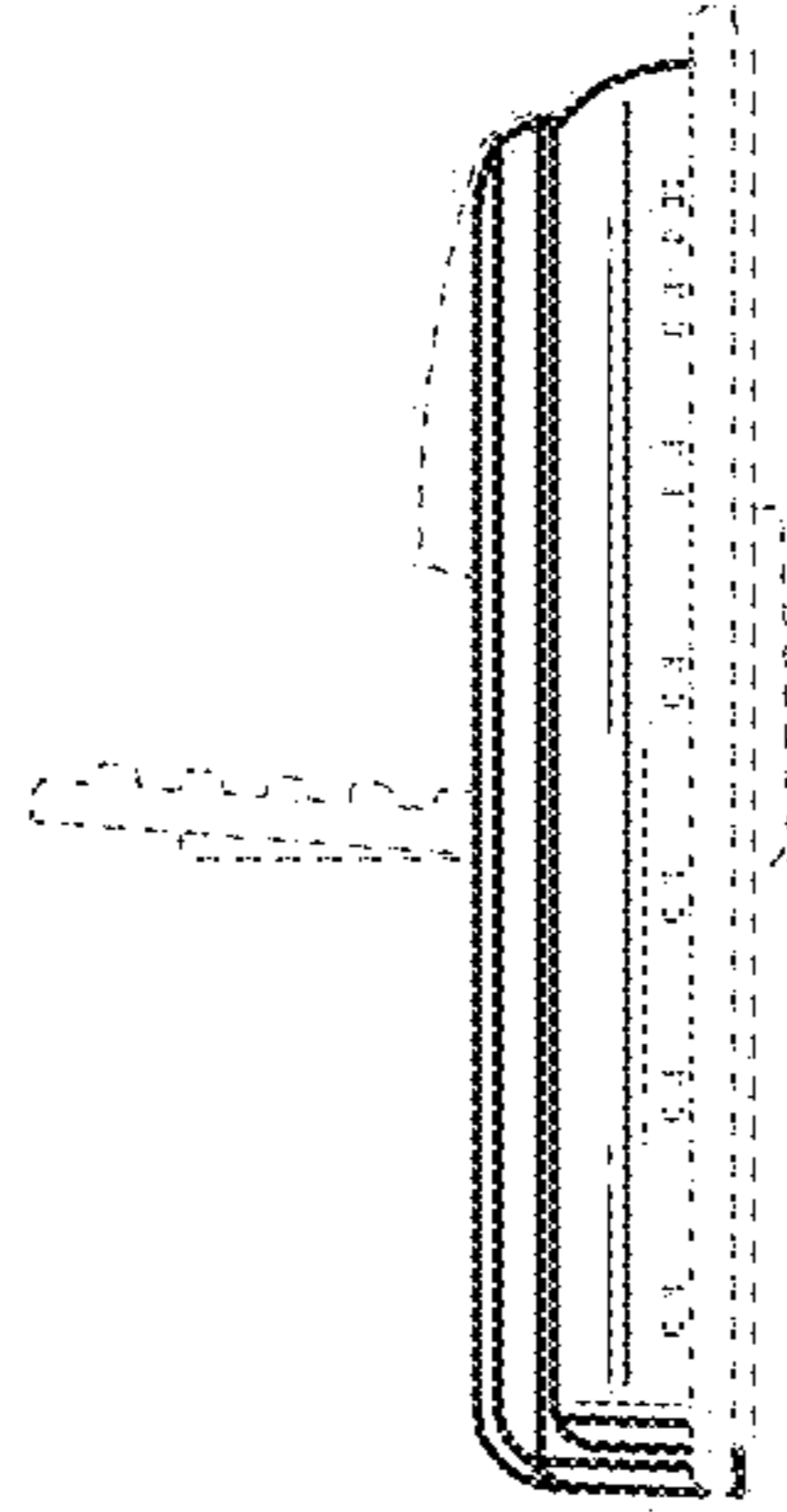


Fig. 2

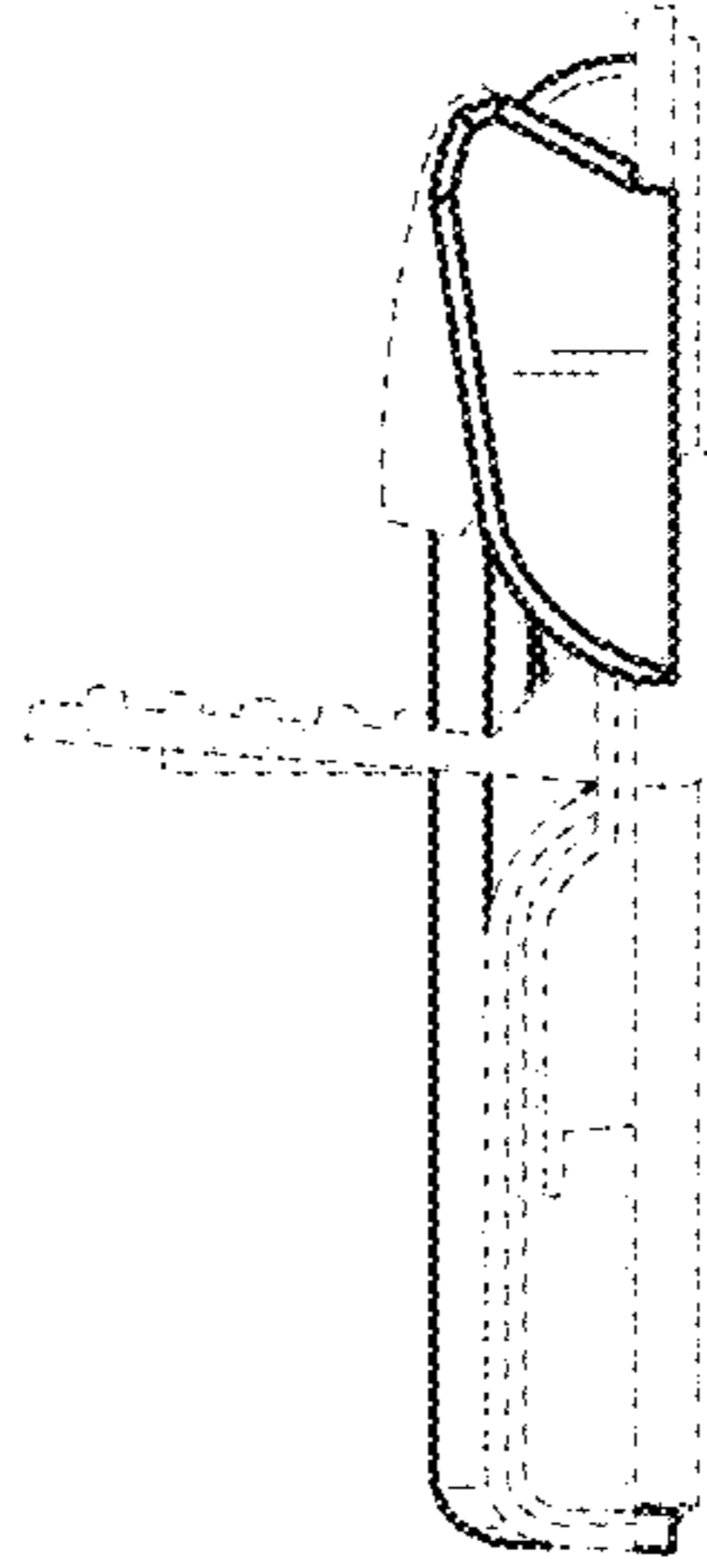
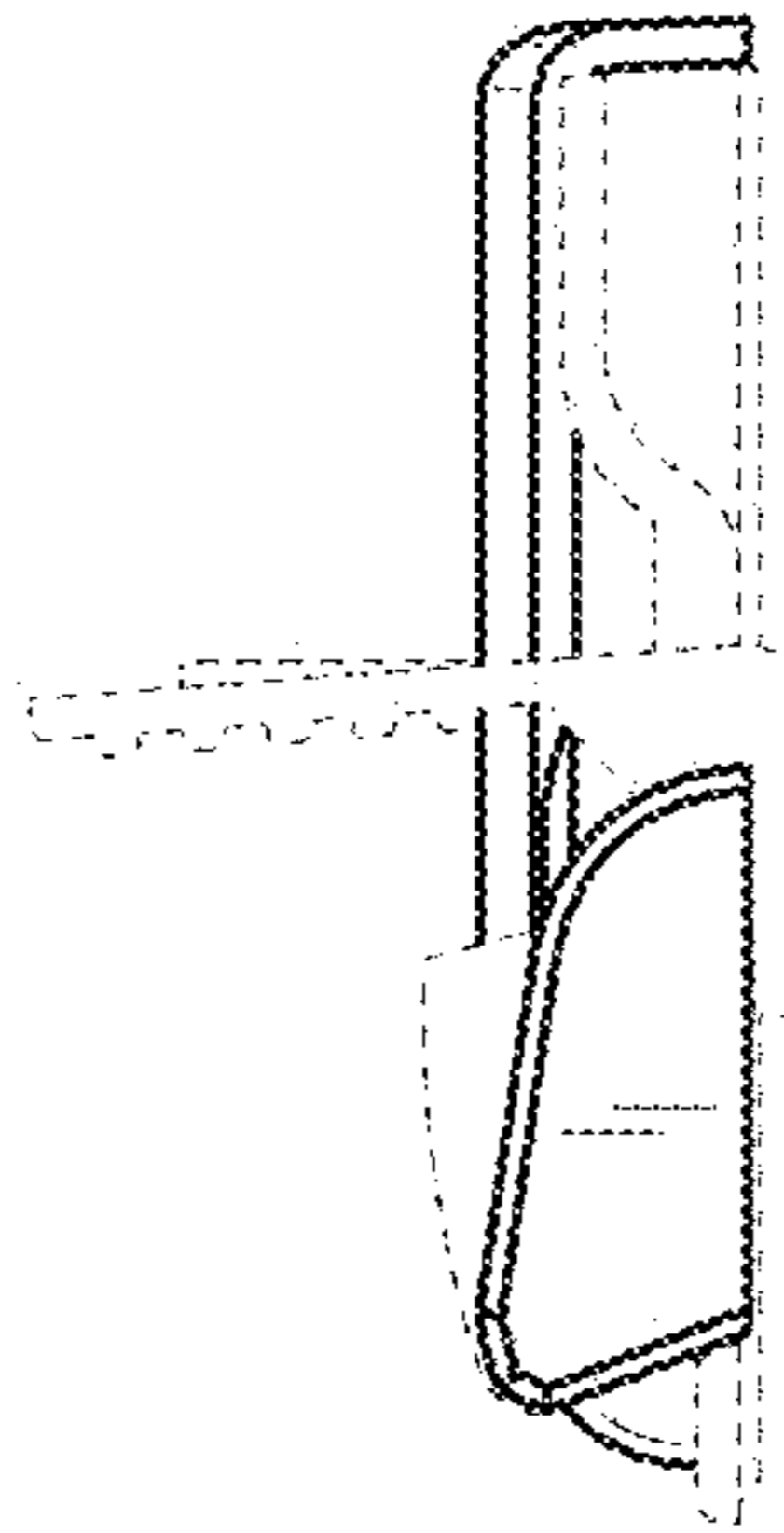


Fig. 3



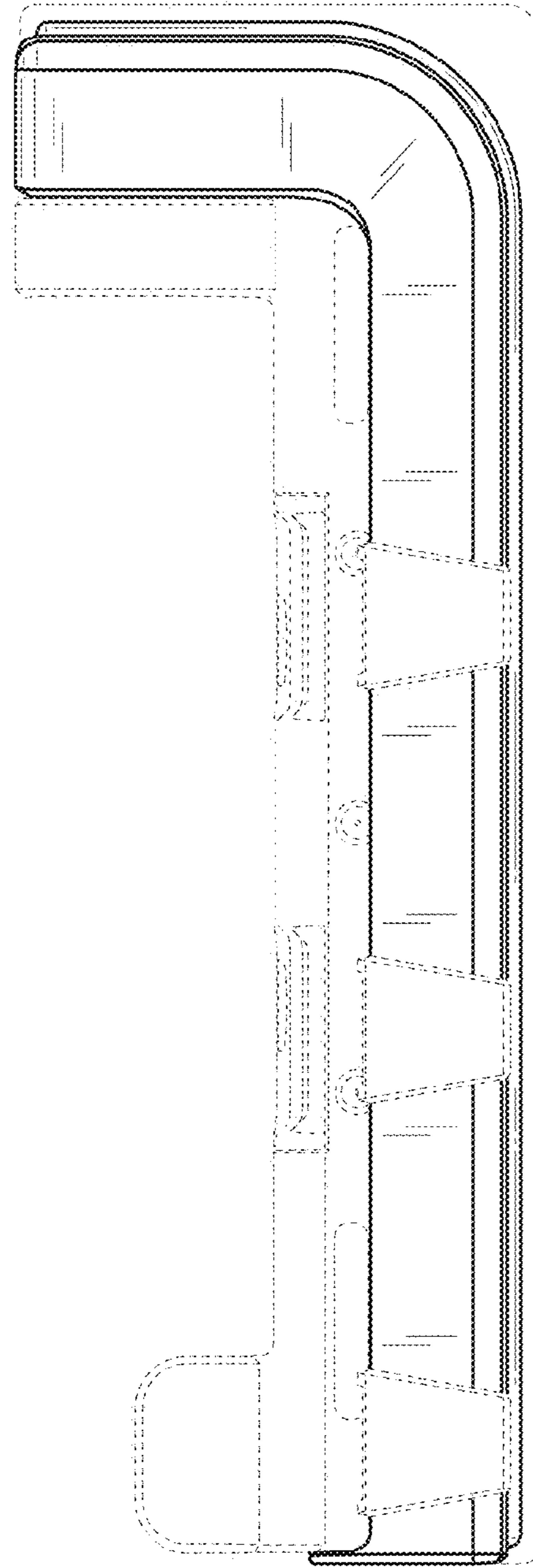
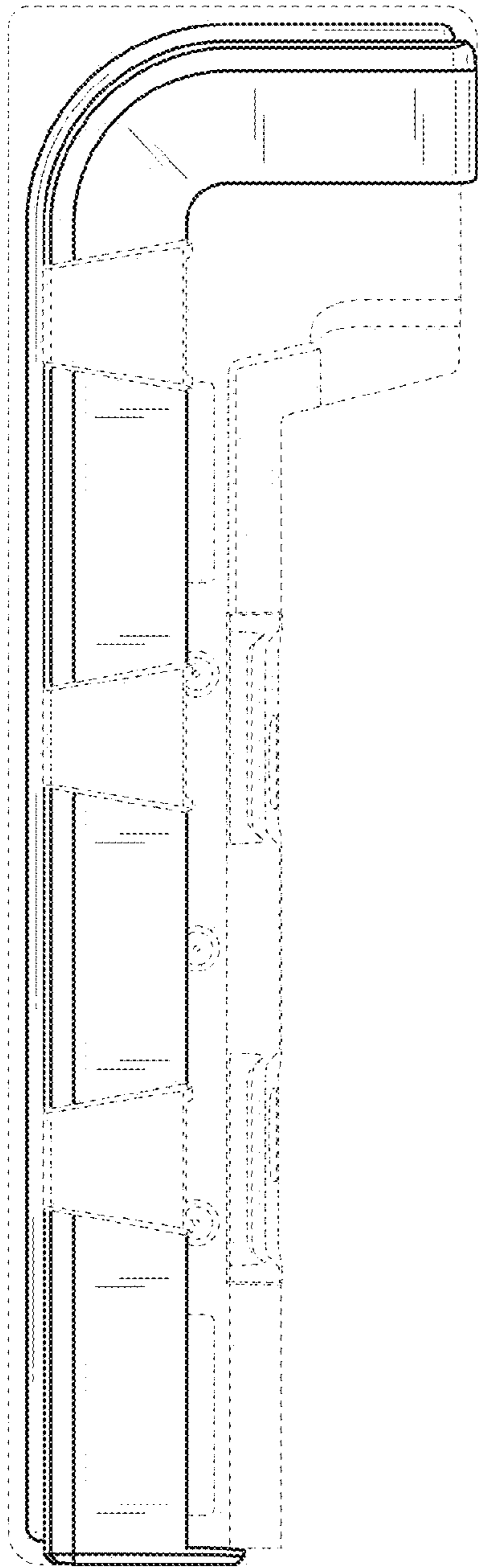


Fig. 4

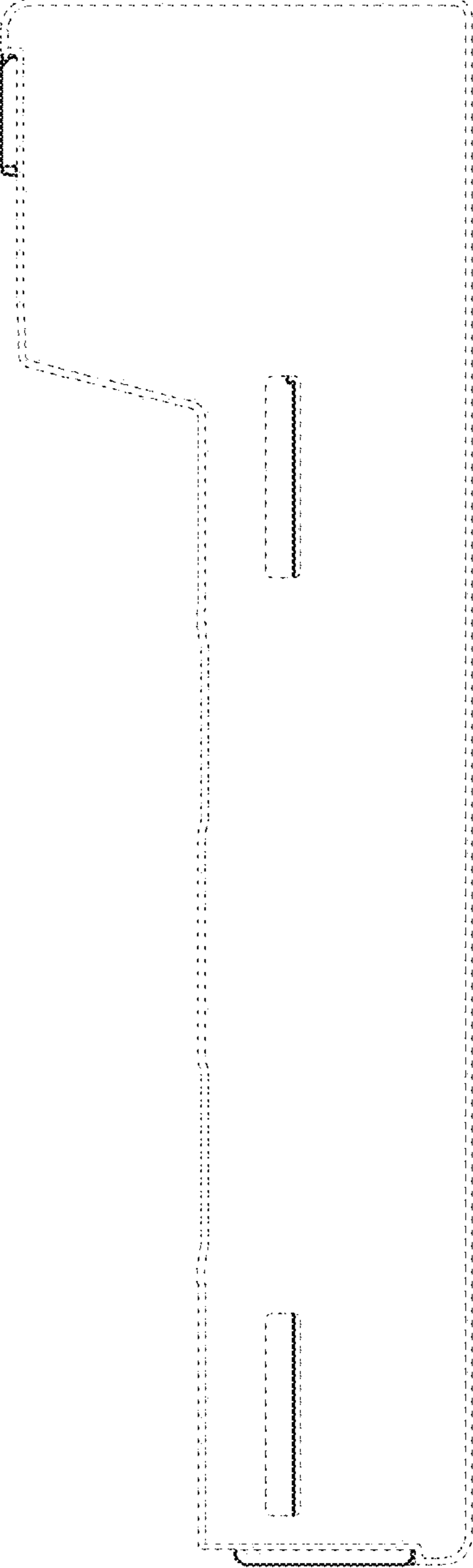
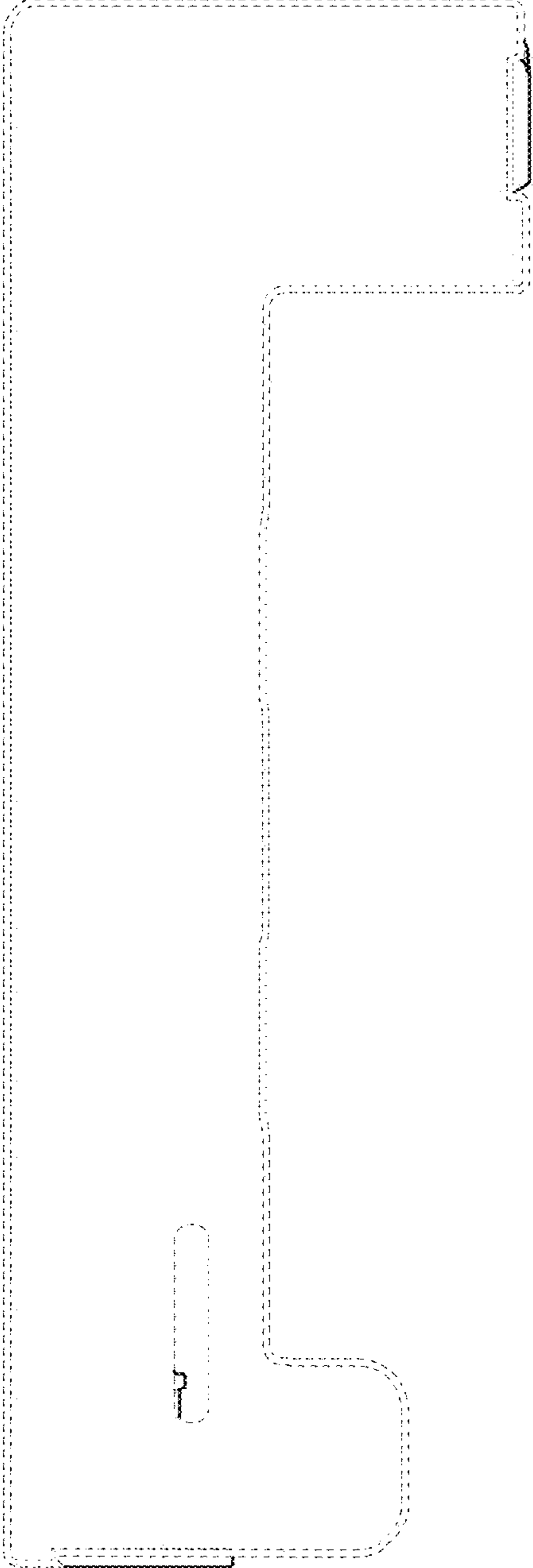


Fig. 5

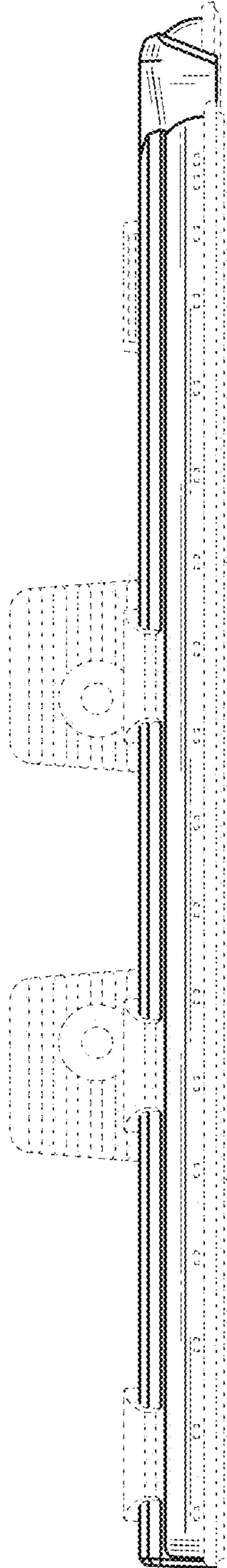


Fig. 6

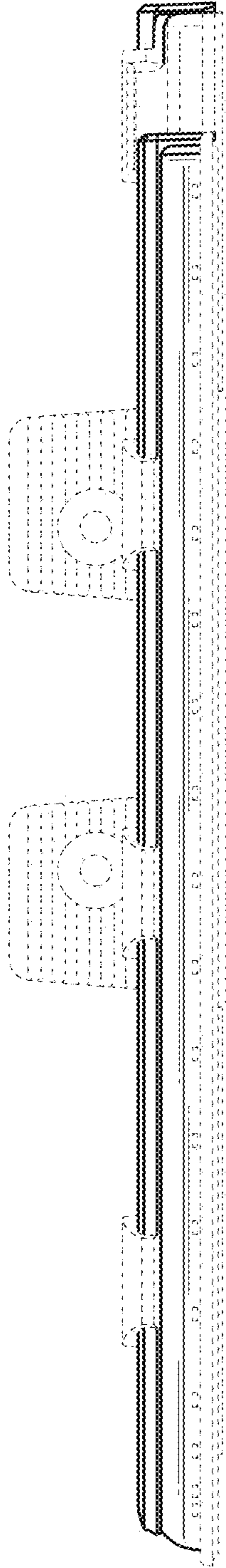


Fig. 7