



US00D931760S

(12) **United States Design Patent** (10) **Patent No.:** **US D931,760 S**
Su (45) **Date of Patent:** **** Sep. 28, 2021**

(54) **ELECTRIC BIKE**

D920,854 S * 6/2021 Chambers D12/118
D921,539 S * 6/2021 Chambers D12/117
D921,541 S * 6/2021 Chambers D12/118

(71) Applicant: **ENERMAX TECHNOLOGY CORPORATION**, Taoyuan (TW)

FOREIGN PATENT DOCUMENTS

(72) Inventor: **Yen-Wen Su**, Taoyuan (TW)

GB 6137295 * 5/2017

(73) Assignee: **ENERMAX TECHNOLOGY CORPORATION**, Taoyuan (TW)

OTHER PUBLICATIONS

(**) Term: **15 Years**

“Bakcou Mule Elite Electric Hunting Bike” EBike Generation., posted date Oct. 6, 2018 [online], [retrieved on Aug. 11, 2021]. Retrieved from the Internet <URL:https://ebikegeneration.com/products/backcountry-ebikes-mule> (Year: 2018).*

(21) Appl. No.: **29/749,869**

(Continued)

(22) Filed: **Sep. 9, 2020**

(51) **LOC (13) Cl.** **12-11**

Primary Examiner — Darlington Ly

(52) **U.S. Cl.**

Assistant Examiner — Nasim Abdulaziz Ali

USPC **D12/111**

(74) *Attorney, Agent, or Firm* — Chun-Ming Shih; HDLS IPR Services

(58) **Field of Classification Search**

USPC D12/110, 111, 117; D21/432, 538
CPC B62K 11/00; B62K 11/02; B62K 11/04;
B62K 11/10; B62K 17/00; B62K 19/00;
B62K 2202/00

(57) **CLAIM**

The ornamental design for an electric bike, as shown and described.

See application file for complete search history.

DESCRIPTION

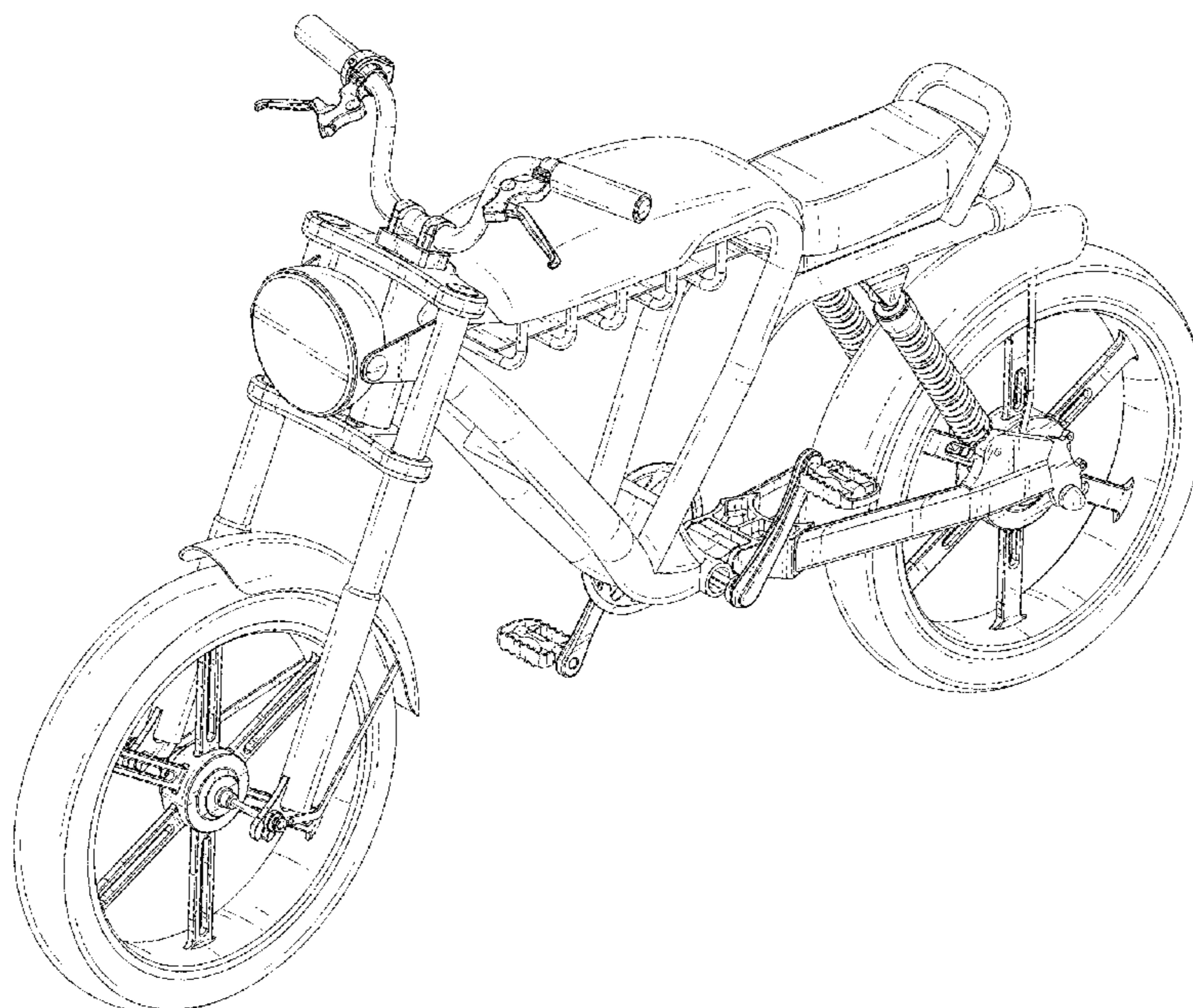
(56) **References Cited**

U.S. PATENT DOCUMENTS

D294,338 S * 2/1988 Yamada D12/110
D645,791 S * 9/2011 Lee D12/110
D653,590 S * 2/2012 Patterson D12/110
D689,798 S * 9/2013 Patterson D12/111
D803,103 S * 11/2017 Clyde D12/110
D824,290 S * 7/2018 Sukkar D12/110
D836,038 S * 12/2018 Huang D12/111
D864,795 S * 10/2019 Waters D12/110
D910,496 S * 2/2021 Zhu D12/111
D918,095 S * 5/2021 Chambers D12/118
D920,848 S * 6/2021 Kuehne D12/110

FIG. 1 is a front and left side perspective view of an electric bike embodying my new design;
FIG. 2 is a front elevation view thereof;
FIG. 3 is a rear elevation view thereof;
FIG. 4 is a right side elevation view thereof;
FIG. 5 is a left side elevation view thereof;
FIG. 6 is a top plan view thereof;
FIG. 7 is a bottom plan view thereof;
FIG. 8 is a rear and right side perspective view thereof; and,
FIG. 9 is a bottom and right side perspective view thereof.

1 Claim, 9 Drawing Sheets



(56)

References Cited

OTHER PUBLICATIONS

“Two riders, one e-bike” Electrek., posted date Apr. 25, 2021 [online], [retrieved on Aug. 11, 2021]. Retrieved from the Internet <<https://electrek.co/2021/04/25/two-riders-one-e-bike-dual-passenger-electric-bikes-offering-twice-the-work-and-play/>> (Year: 2021).*

“Hot Wheels X SUPER73-RX” Super73., posted date Jan. 25, 2020 [online], [retrieved on Aug. 11, 2021]. Retrieved from the Internet <URL: <https://super73.com/collections/all-bikes/products/super73-hot-wheels>> (Year: 2020).*

* cited by examiner

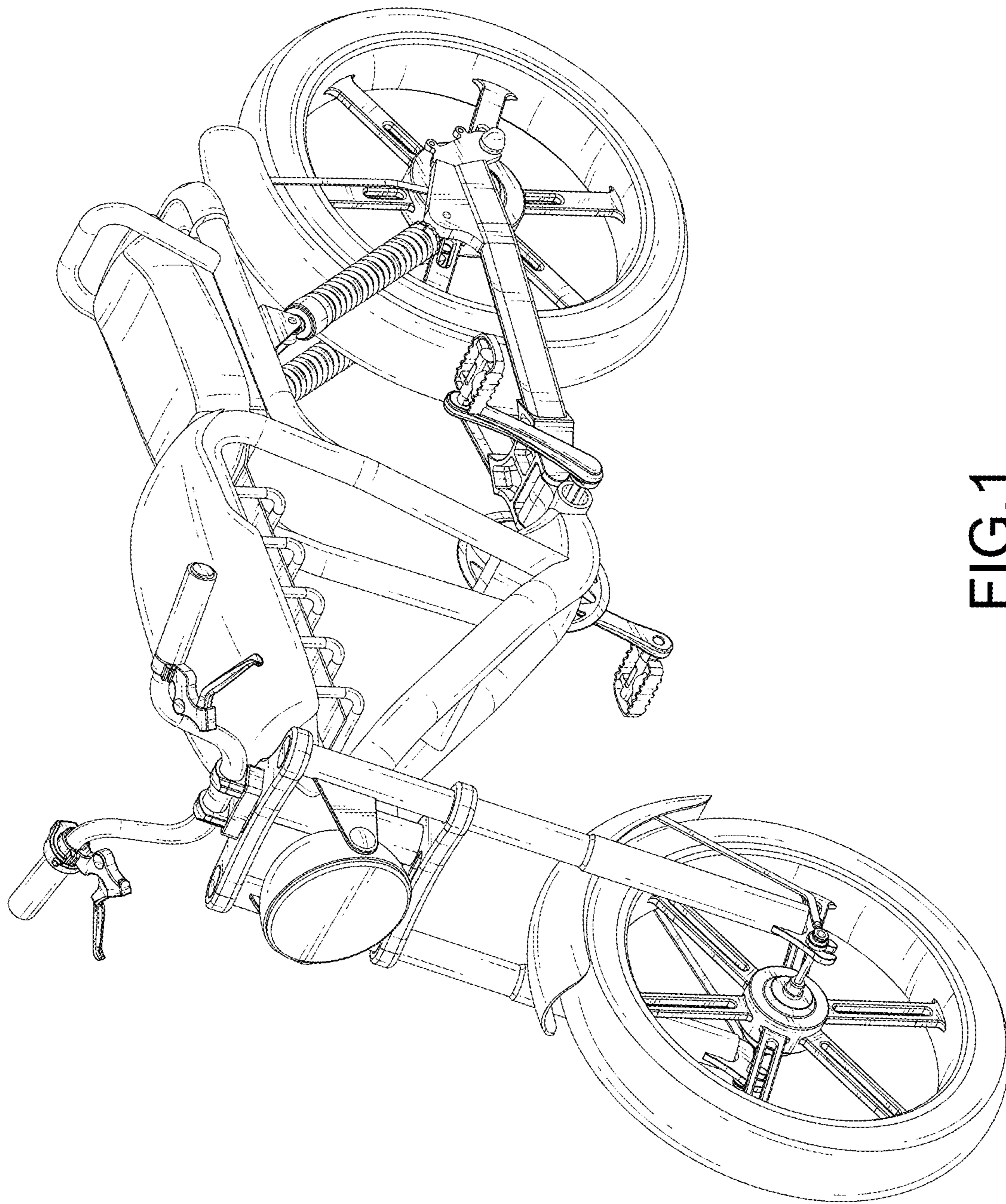


FIG. 1

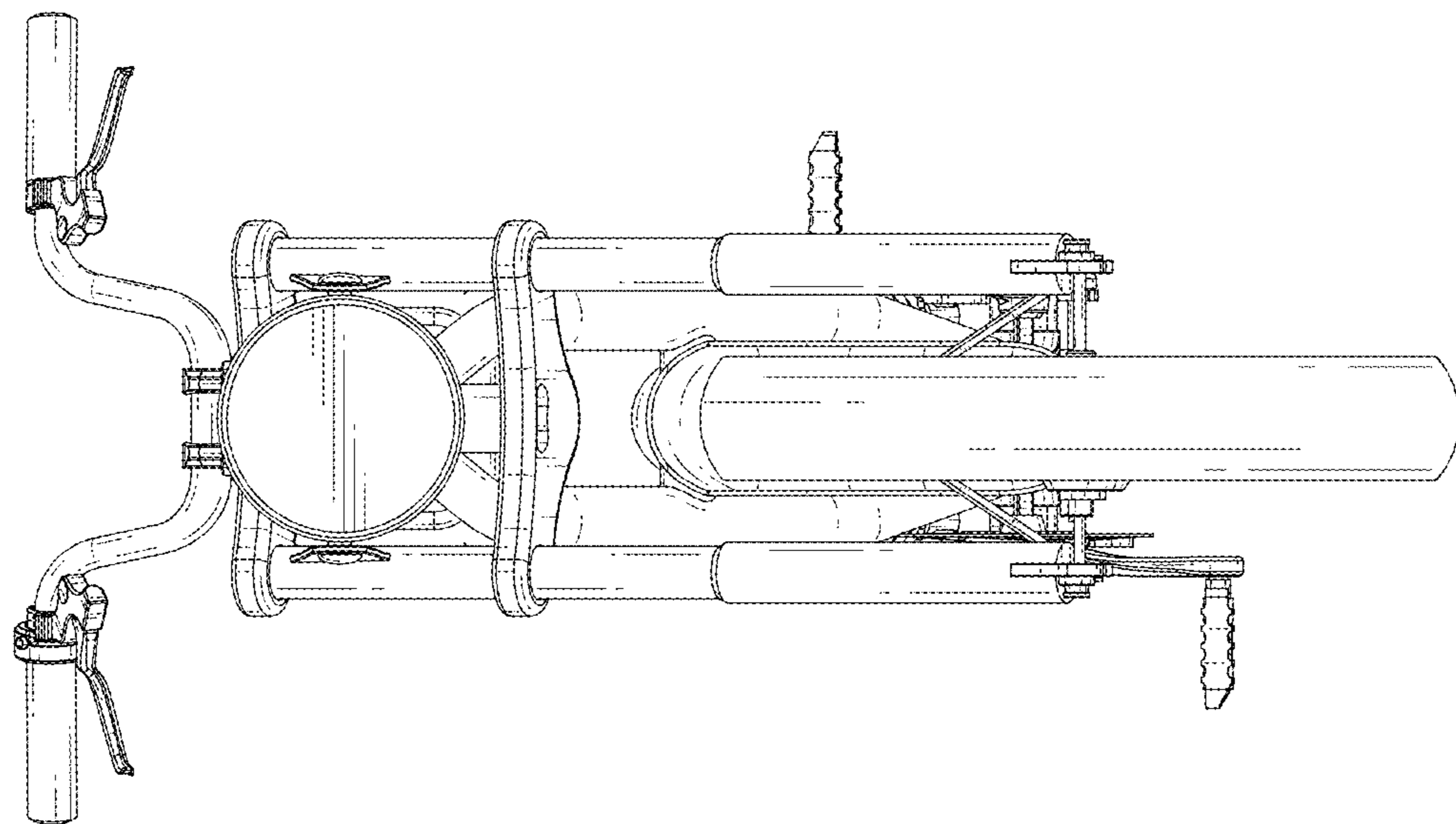


FIG.2

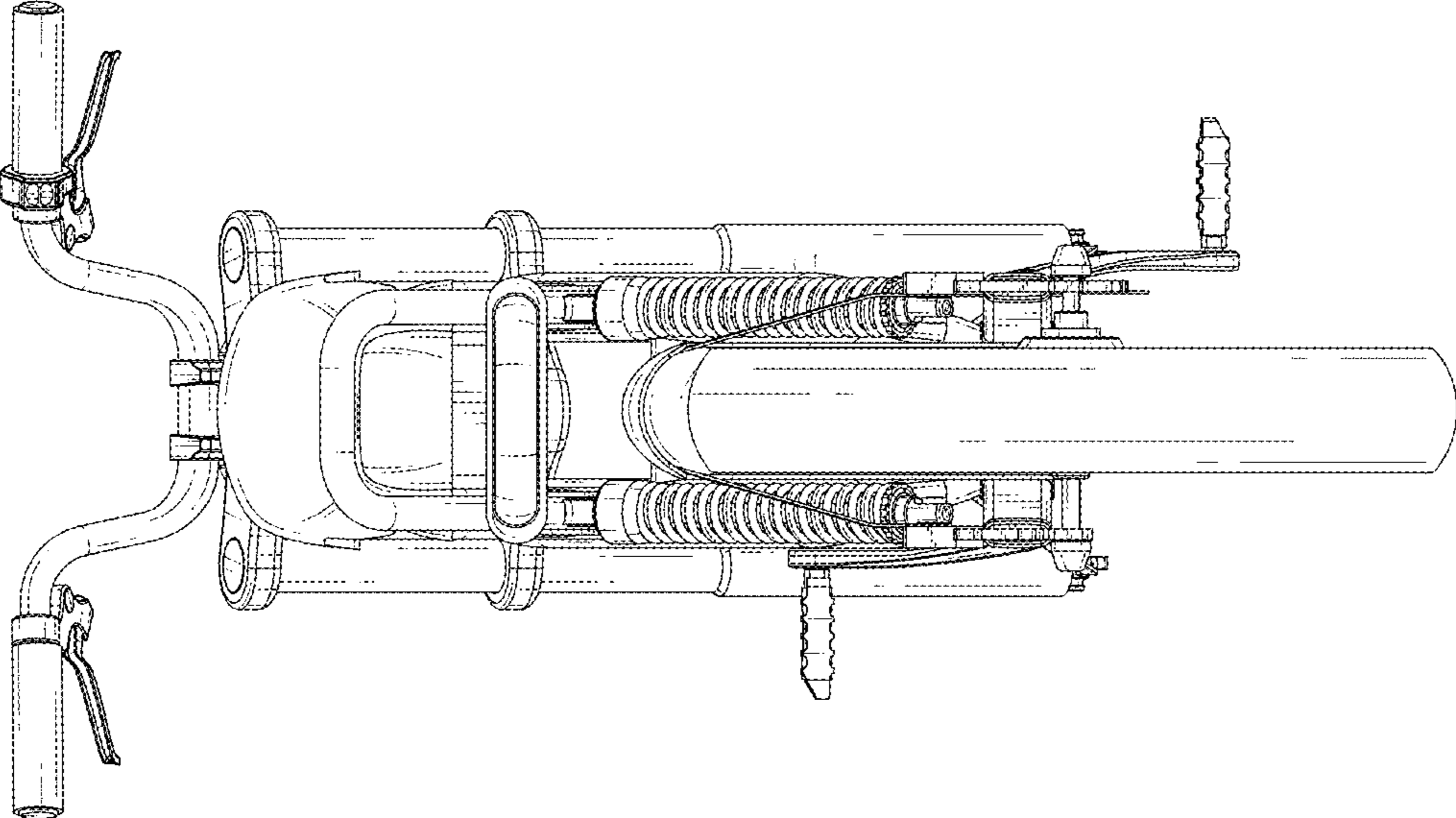


FIG.3

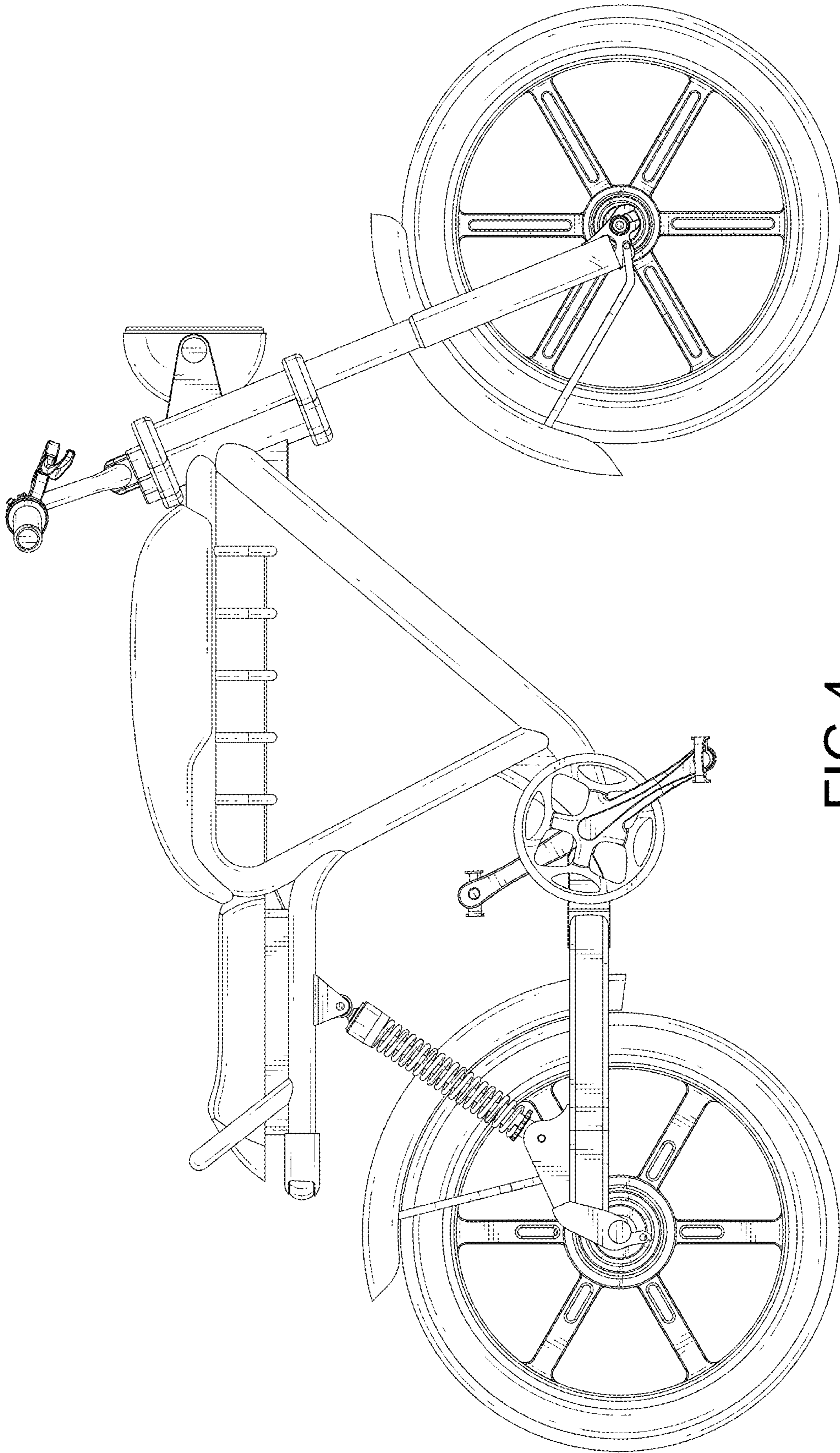


FIG.4

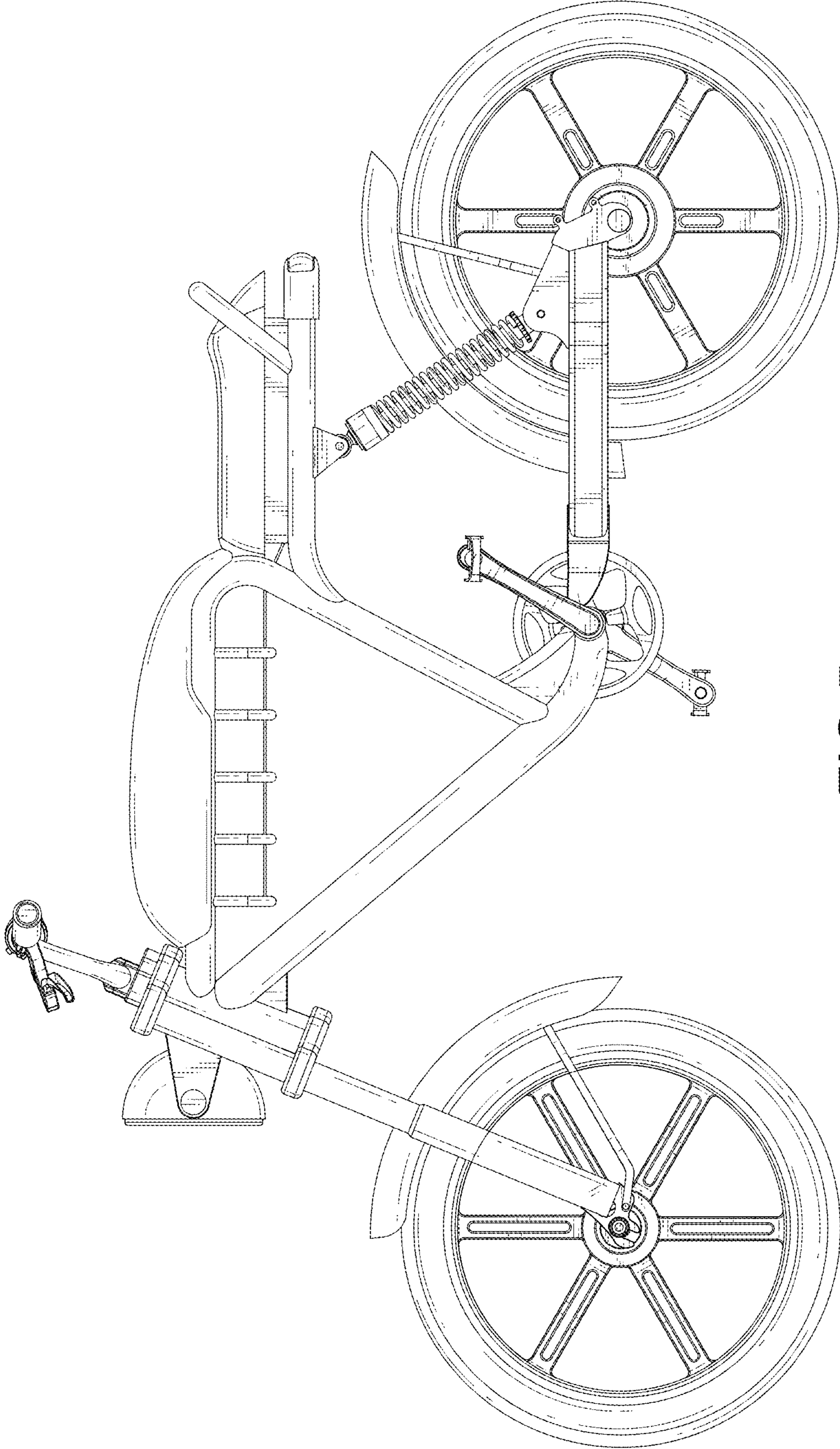


FIG.5

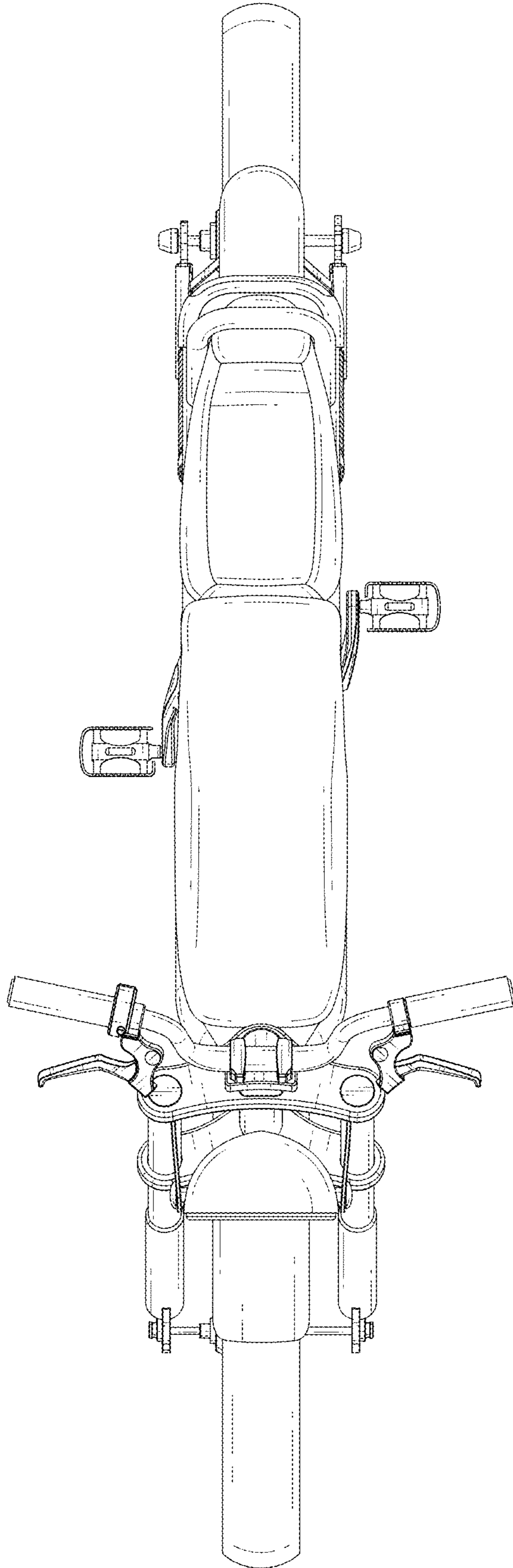


FIG.6

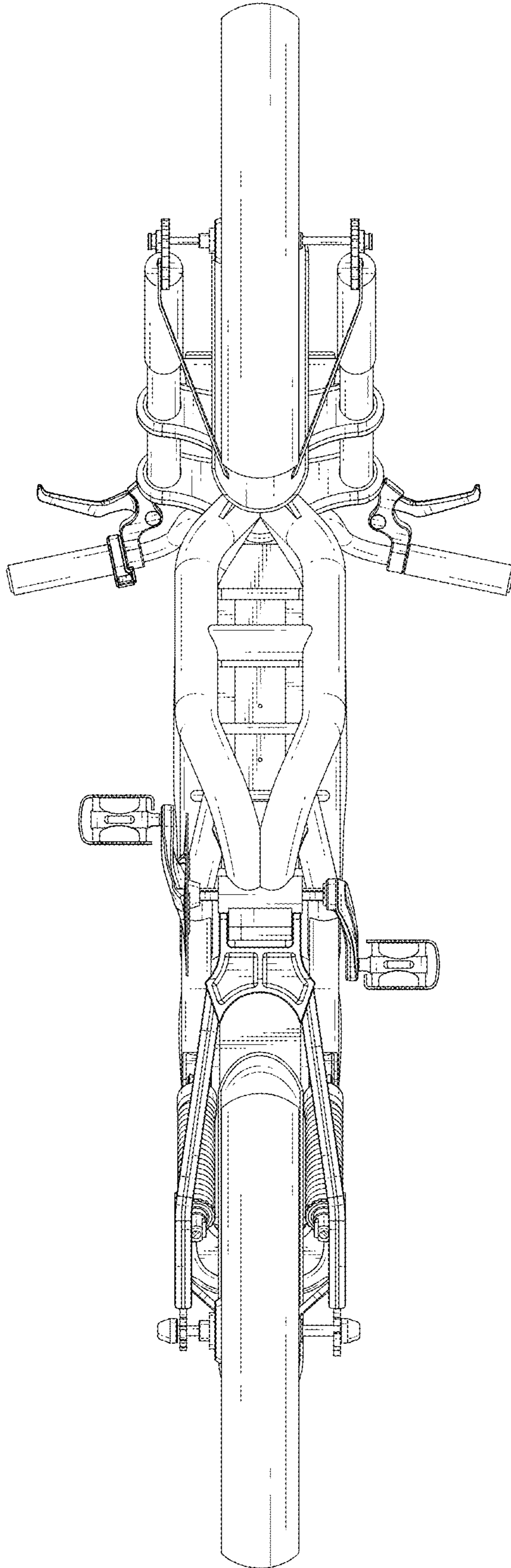


FIG. 7

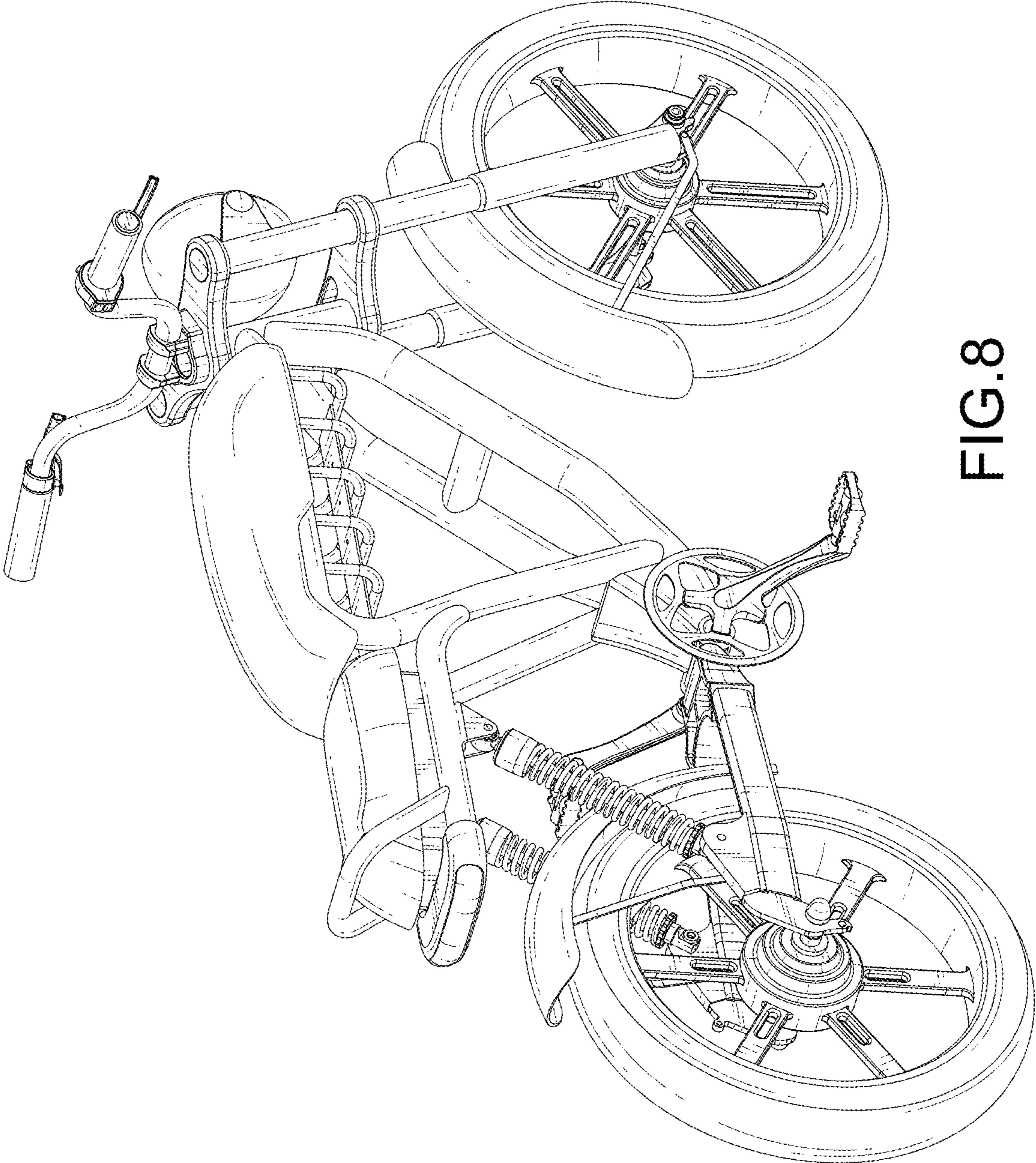


FIG. 8

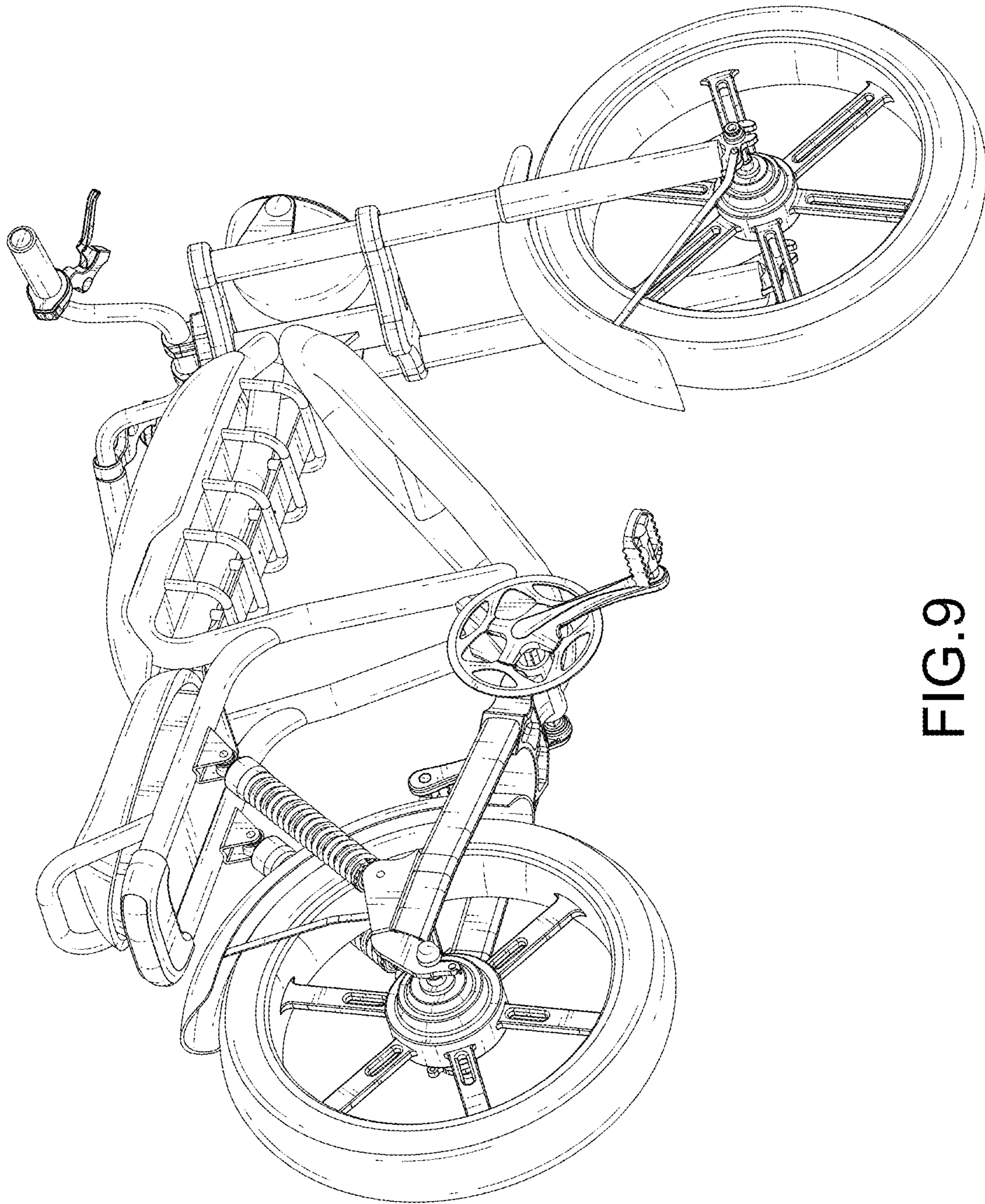


FIG.9