



US00D931759S

(12) **United States Design Patent** (10) **Patent No.:** **US D931,759 S**  
**Lloyd** (45) **Date of Patent:** **\*\* Sep. 28, 2021**

(54) **BICYCLE FRAME**

FOREIGN PATENT DOCUMENTS

(71) Applicant: **Jennock Limited**, Birmingham (GB)

CN 2759916 Y 2/2006  
CN 200630178097 \* 12/2006

(72) Inventor: **Andrew Webster Lloyd**, Abergavenny (GB)

(Continued)

(73) Assignee: **Jennock Limited**, Birmingham (GB)

OTHER PUBLICATIONS

(\*\*) Term: **15 Years**

Chinese Design Patent Application No. 303958662 filed Dec. 7, 2016.

(21) Appl. No.: **29/655,463**

(Continued)

(22) Filed: **Aug. 1, 2018**

*Primary Examiner* — Sheryl Lane

*Assistant Examiner* — Samantha N Wood

(30) **Foreign Application Priority Data**

(74) *Attorney, Agent, or Firm* — Honigman LLP

Jan. 4, 2018 (EM) ..... 004593309

(51) **LOC (13) Cl.** ..... **12-11**

(52) **U.S. Cl.**  
USPC ..... **D12/111**

(58) **Field of Classification Search**  
USPC ..... D12/111, 107, 114, 117, 126, 127, 159;  
D21/419, 424, 427, 432, 663, 664, 666,  
D21/697

CPC . B62K 3/00; B62K 3/005; B62K 3/02; B62K  
3/04; B62K 11/00; B62K 11/02; B62K  
11/10; B62K 11/14; B62K 21/12; B62K  
21/16; B62K 21/26; B62K 21/02; B62K  
21/04; B62K 21/06; B62K 9/02; B62K  
15/006; B62K 2201/04; B62K 19/02;  
B62K 19/08; B62K 19/16; B62K 25/04;  
B62K 25/08; B62K 25/16; B62K 25/30

See application file for complete search history.

(56) **References Cited**

U.S. PATENT DOCUMENTS

2,419,703 A 4/1947 Bartlett  
2,993,709 A 7/1961 Wick

(Continued)

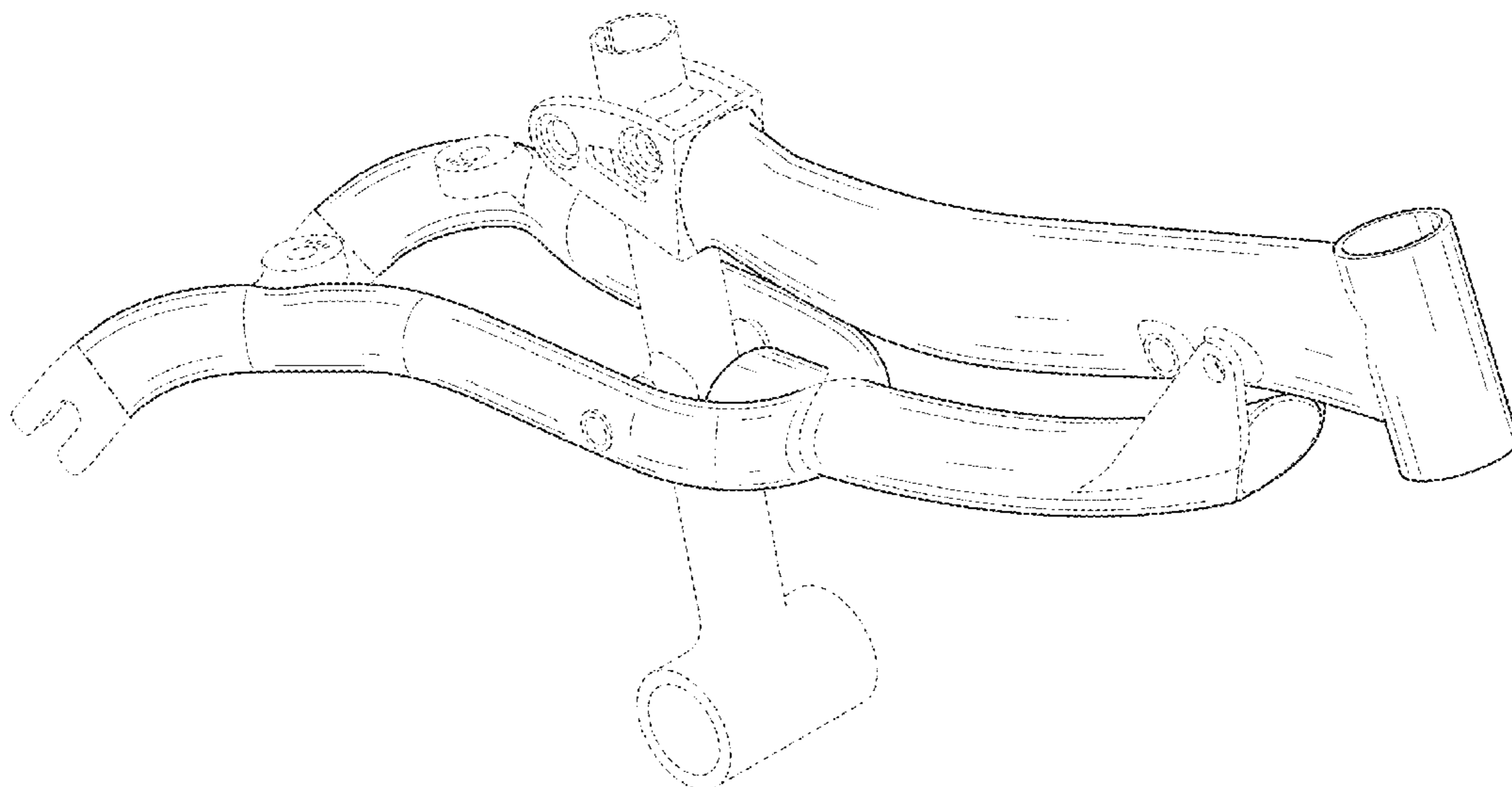
(57) **CLAIM**

I claim the ornamental design for a bicycle frame, as shown and described.

**DESCRIPTION**

FIG. 1 is a perspective view of a bicycle frame in accordance with the principles of the present disclosure; FIG. 2 is a front view of the bicycle frame of FIG. 1; FIG. 3 is a rear view of the bicycle frame of FIG. 1; FIG. 4 is a right side view of the bicycle frame of FIG. 1; FIG. 5 is a left side view of the bicycle frame of FIG. 1; FIG. 6 is a top view of the bicycle frame of FIG. 1; FIG. 7 is a bottom view of the bicycle frame of FIG. 1; FIG. 8 is a perspective view of the bicycle frame of FIG. 1 in a second configuration in accordance with the principles of the present disclosure; and, FIG. 9 is a right side view of the bicycle frame of FIG. 8. The broken lines in the drawing views illustrate portions of the bicycle frame that form no part of the claimed design. Broken lines formed by equal length dashes show unclaimed subject matter. Broken lines formed of unequal length dashes (i.e., dash-dot) define portions of the claimed design. The shade lines in the drawing views show contour and not surface ornamentation of the bicycle frame.

**1 Claim, 7 Drawing Sheets**



(56)

References Cited

U.S. PATENT DOCUMENTS

4,460,192	A	7/1984	Takamiya et al.	
4,909,537	A	3/1990	Tratner	
5,590,895	A *	1/1997	Hiramoto .....	B62K 15/006 280/278
5,722,718	A	3/1998	Still et al.	
D420,942	S *	2/2000	Chen .....	D12/111
6,428,437	B1	8/2002	Schlanger	
D512,664	S *	12/2005	Schreier .....	D12/111
D644,571	S *	9/2011	Bethlenfalvy .....	D12/111
D654,962	S *	2/2012	Scolari .....	D21/423
D712,980	S *	9/2014	Lovley, II .....	D21/423
8,864,159	B2	10/2014	Scolari	
D721,990	S *	2/2015	Lugo .....	D12/111
D735,619	S *	8/2015	Lawson .....	D12/111
2003/0080594	A1	5/2003	Geyer et al.	
2003/0234509	A1 *	12/2003	Chen .....	B62K 15/006 280/278
2009/0212529	A1	8/2009	Stenberg	
2015/0148173	A1 *	5/2015	Kim .....	B62M 6/65 475/149
2019/0077476	A1	3/2019	Lloyd	

FOREIGN PATENT DOCUMENTS

CN	101277867	10/2008
CN	202703798	1/2013
CN	203410567	1/2014

CN	104260809	1/2015
CN	201530030948	* 2/2015
CN	204309983	5/2015
CN	201630233944	* 6/2016
DE	4232592	A1 3/1994
DE	20100309	U1 5/2002
DE	10135622	A1 2/2003
EP	163988	A2 12/1985
EP	501385	A1 9/1992
EP	1410984	A1 4/2004
FR	684306	A 6/1930
GB	415085	A 8/1934
GB	548869	A 10/1942
GB	2511522	9/2014
JP	2007-99063	A 4/2007
JP	200799063	4/2007
WO	WO-2009056540	A1 5/2009
WO	WO-2013150411	A1 10/2013
WO	WO-2016082399	A1 6/2016

OTHER PUBLICATIONS

Chinese Design Patent Application No. 303197307 filed May 6, 2015.  
 Notice of Allowance from Taiwan Patent Office for Application No. 107303827 dated Jul. 17, 2019.  
 Chinese Office Action for Application No. 201680051196.4 dated Jun. 19, 2019.

\* cited by examiner

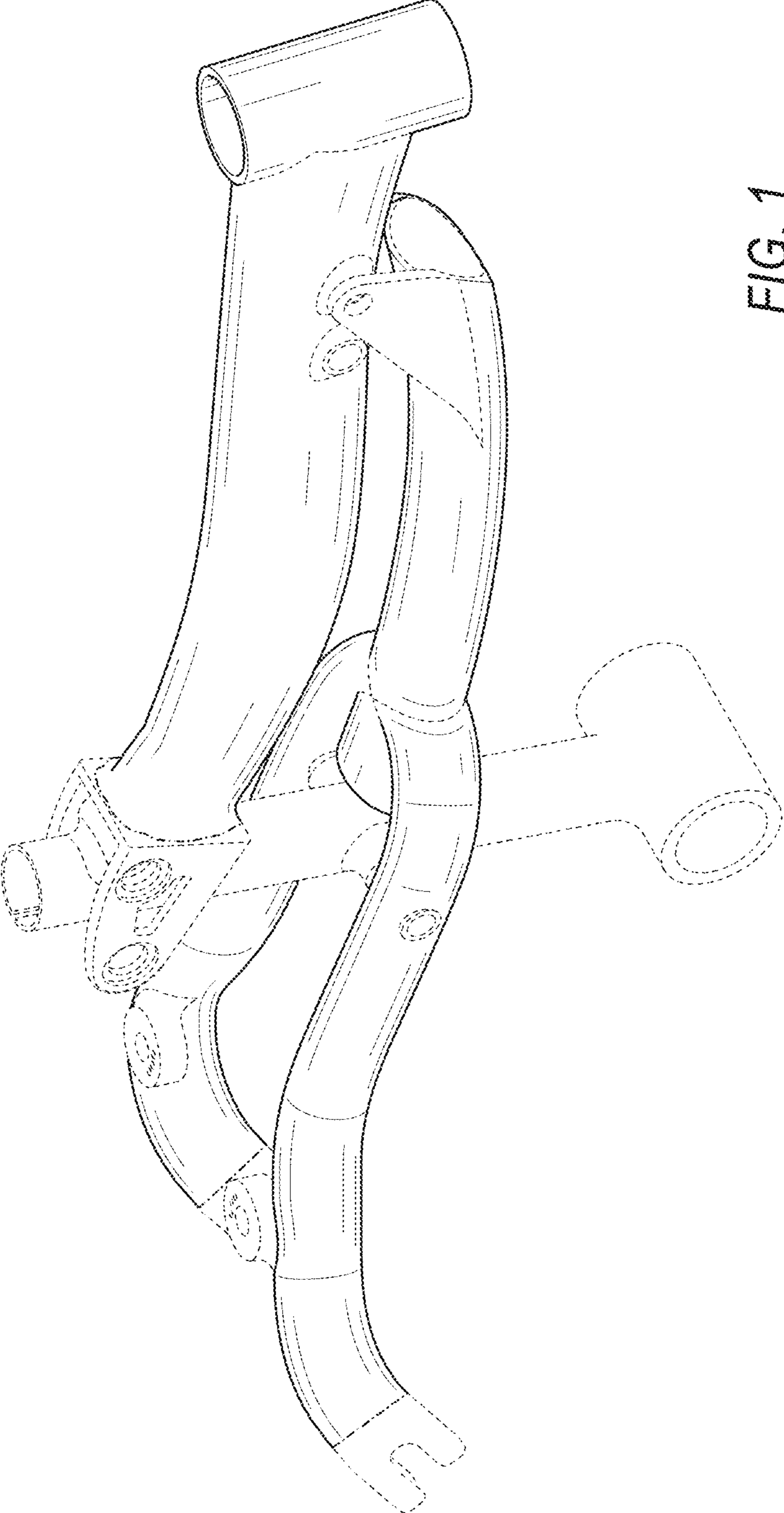


FIG. 1

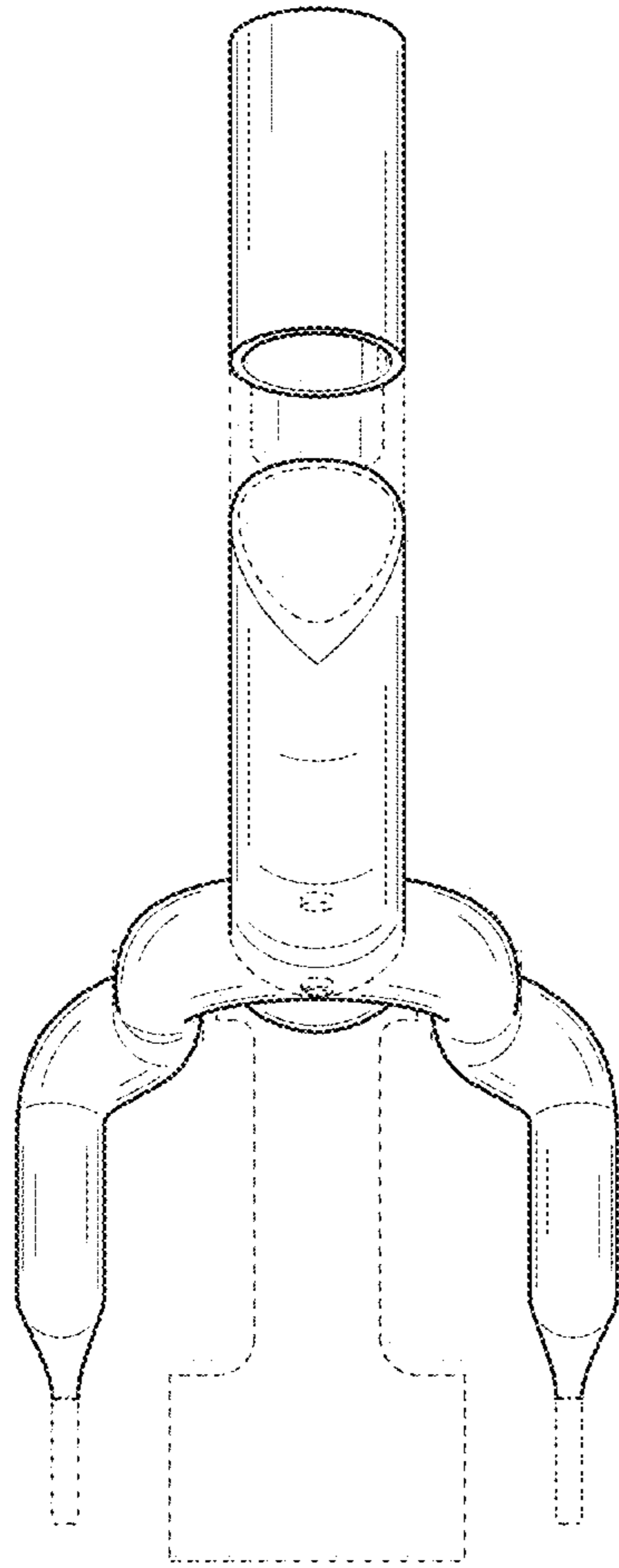


FIG. 2

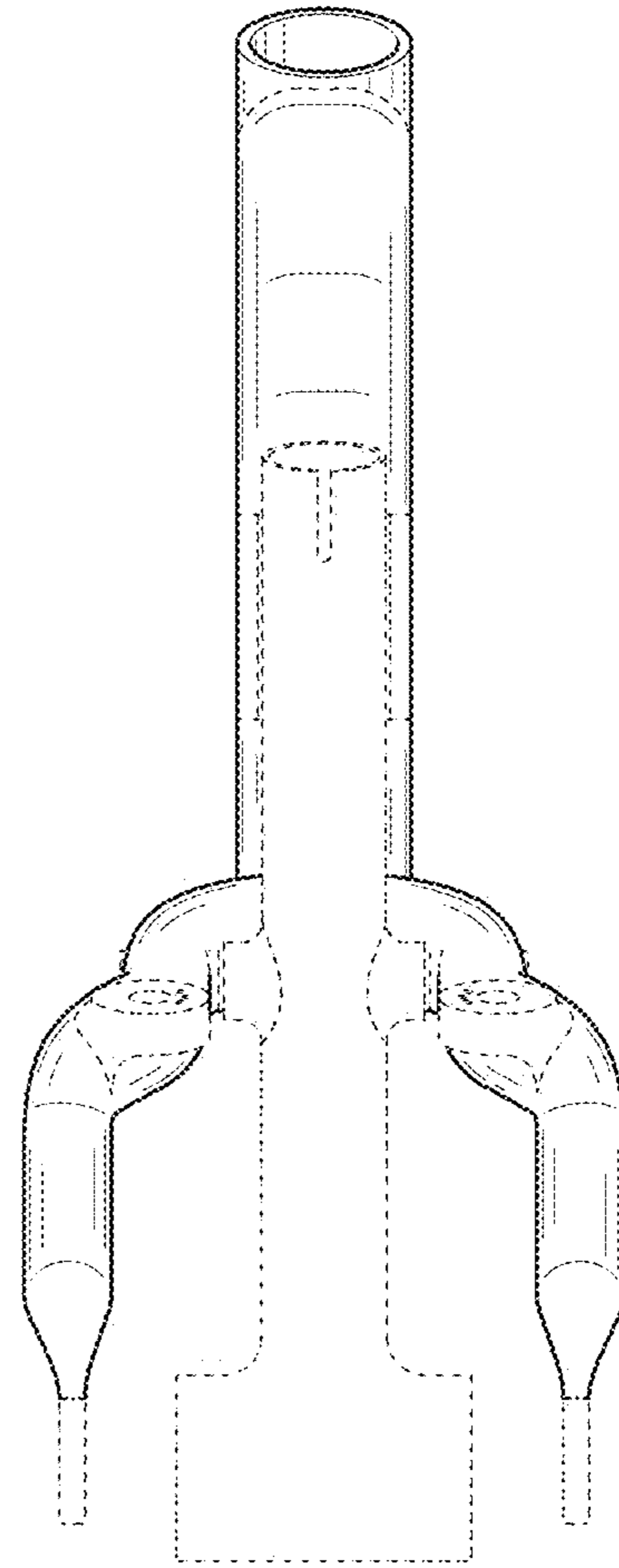


FIG. 3



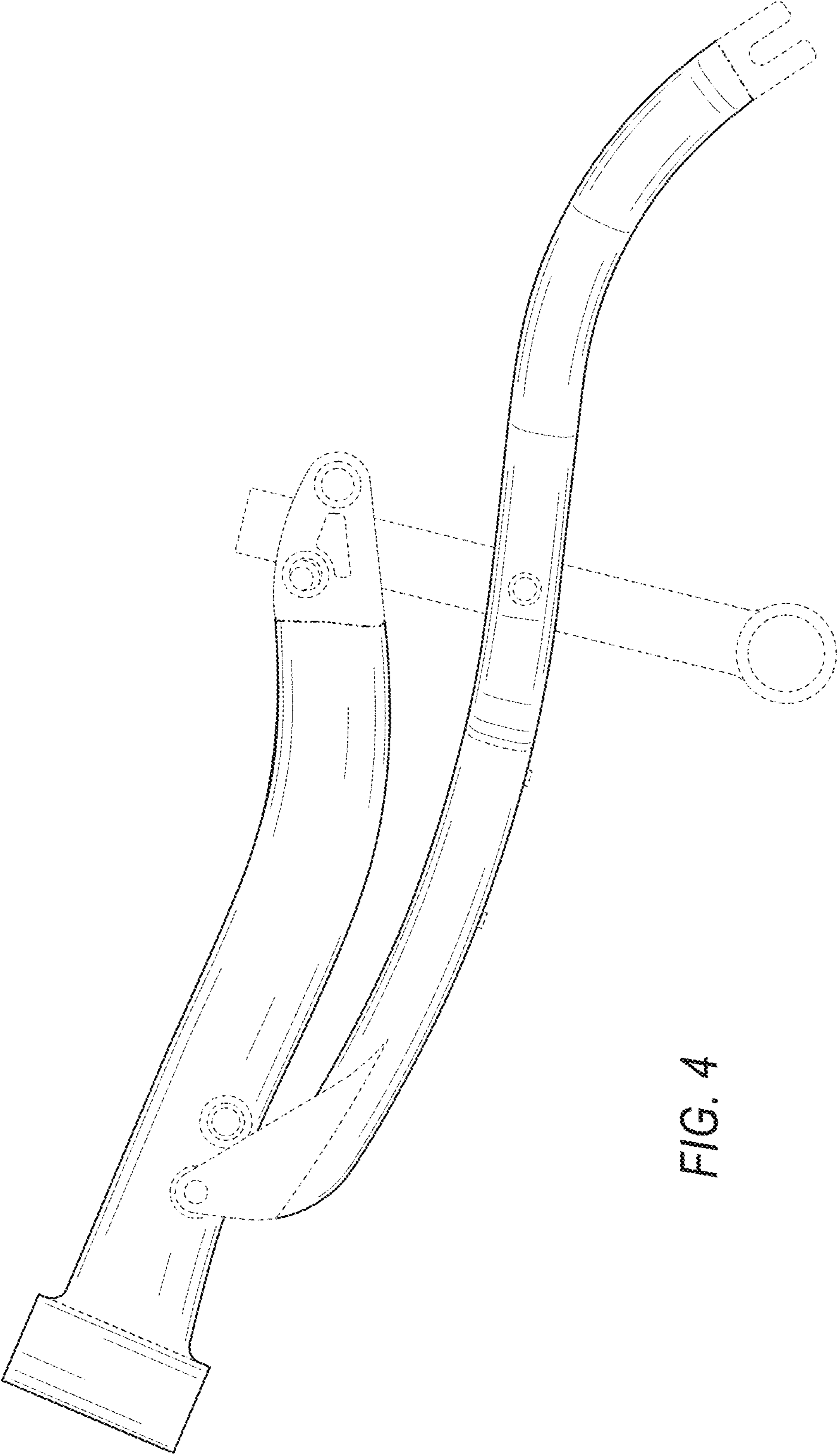


FIG. 4

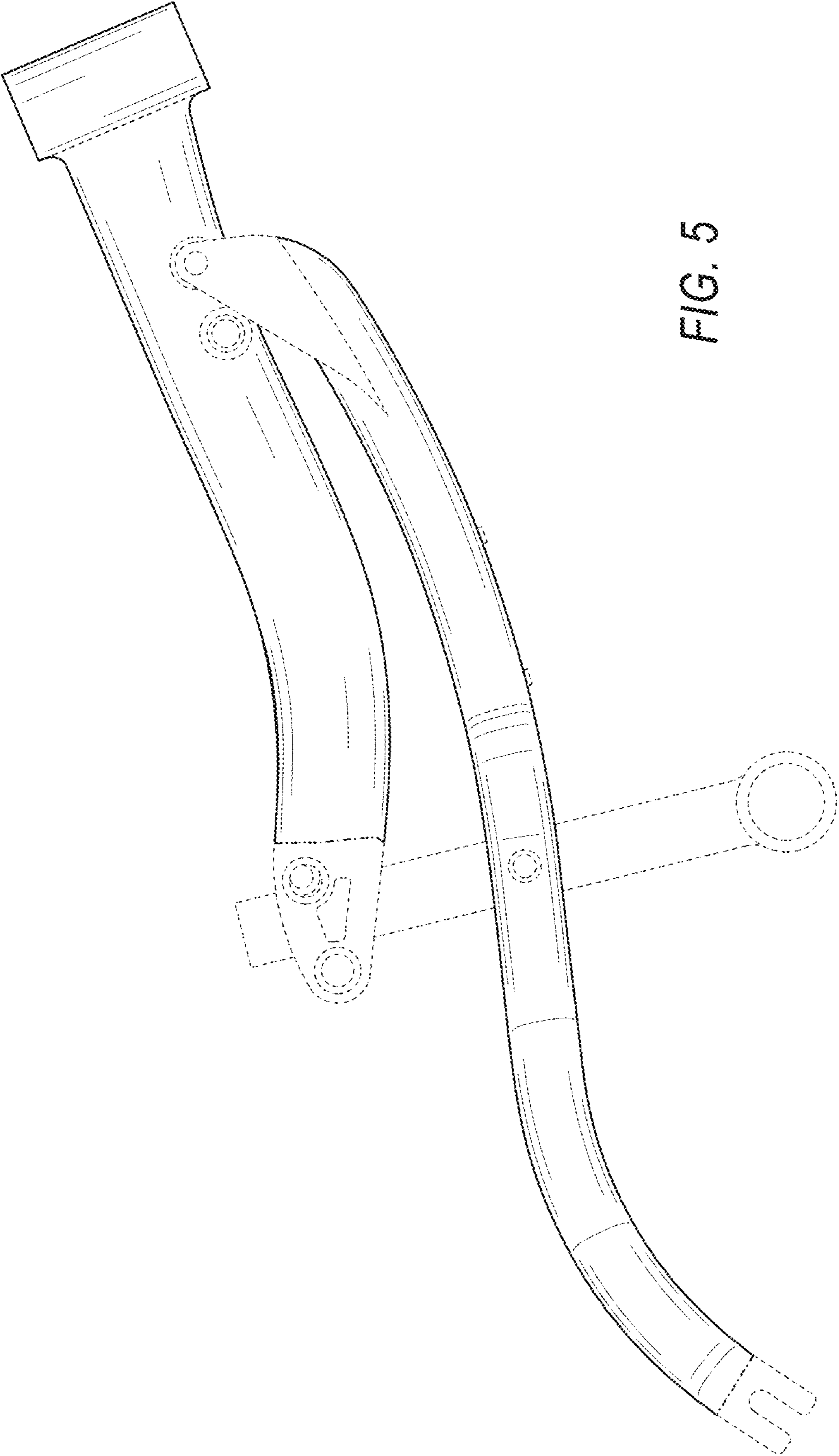


FIG. 5

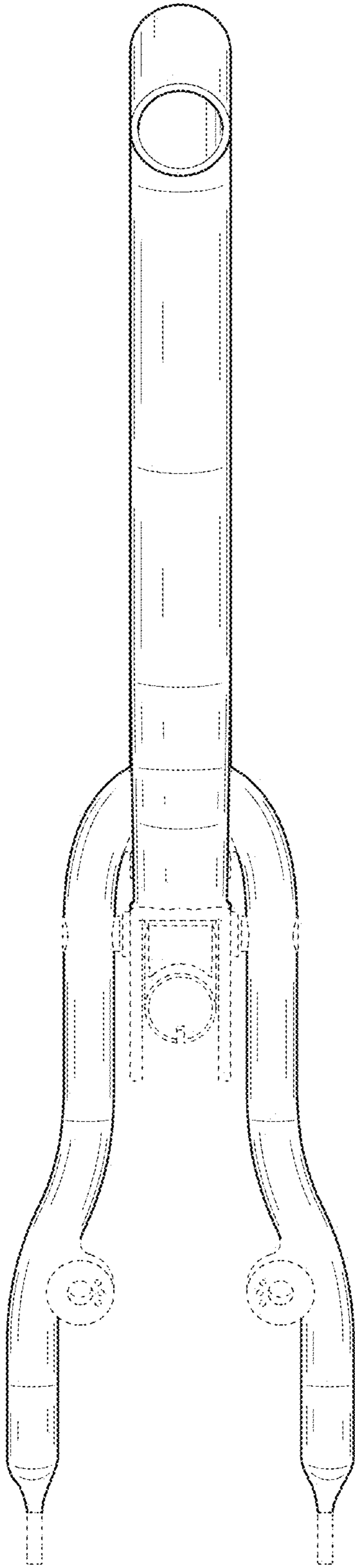


FIG. 6

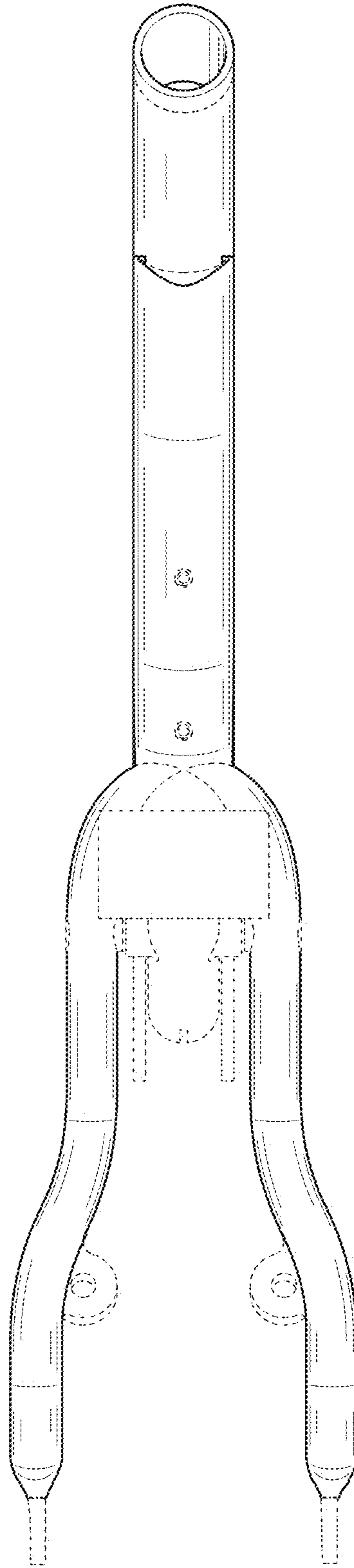


FIG. 7

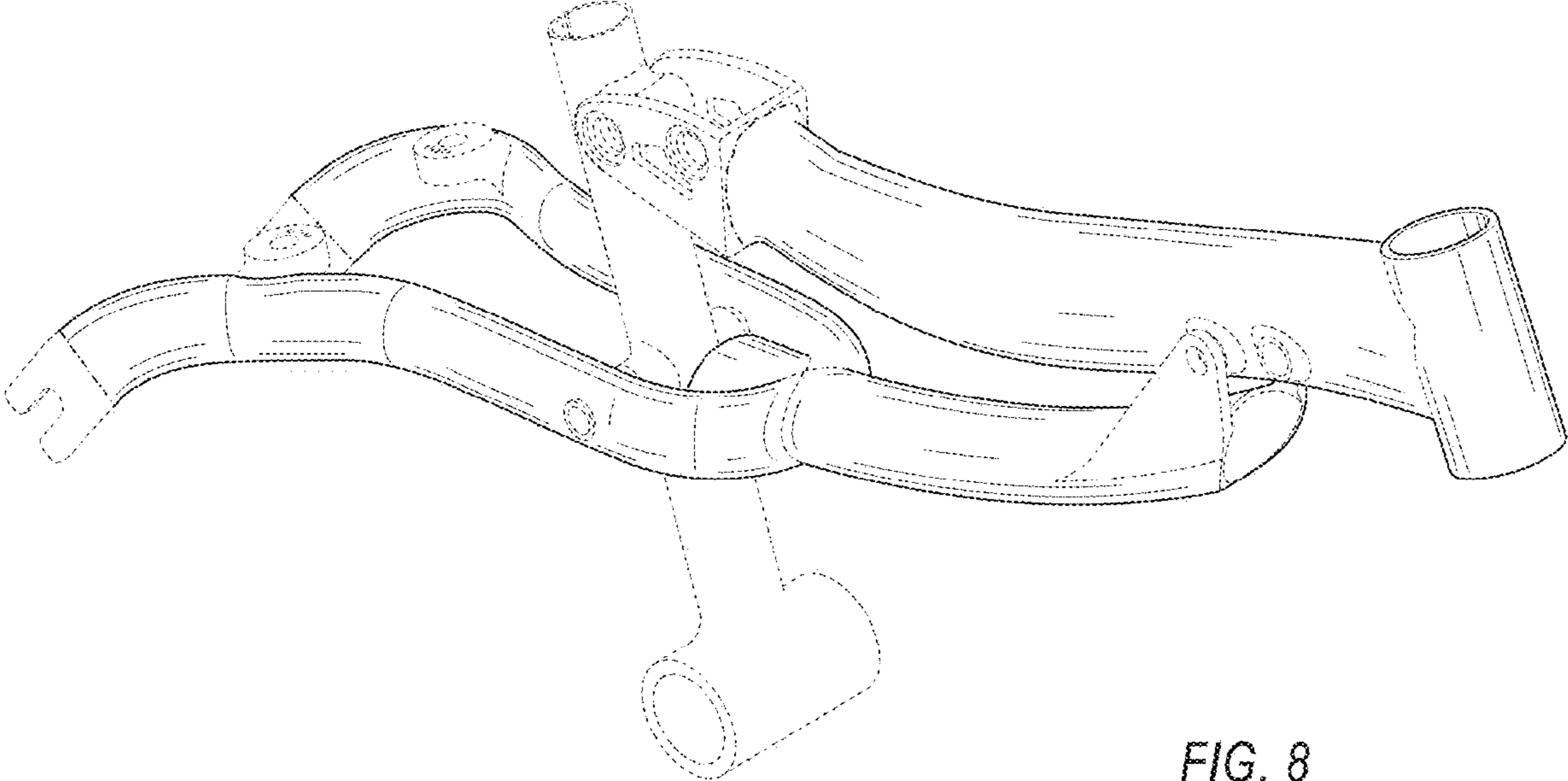


FIG. 8



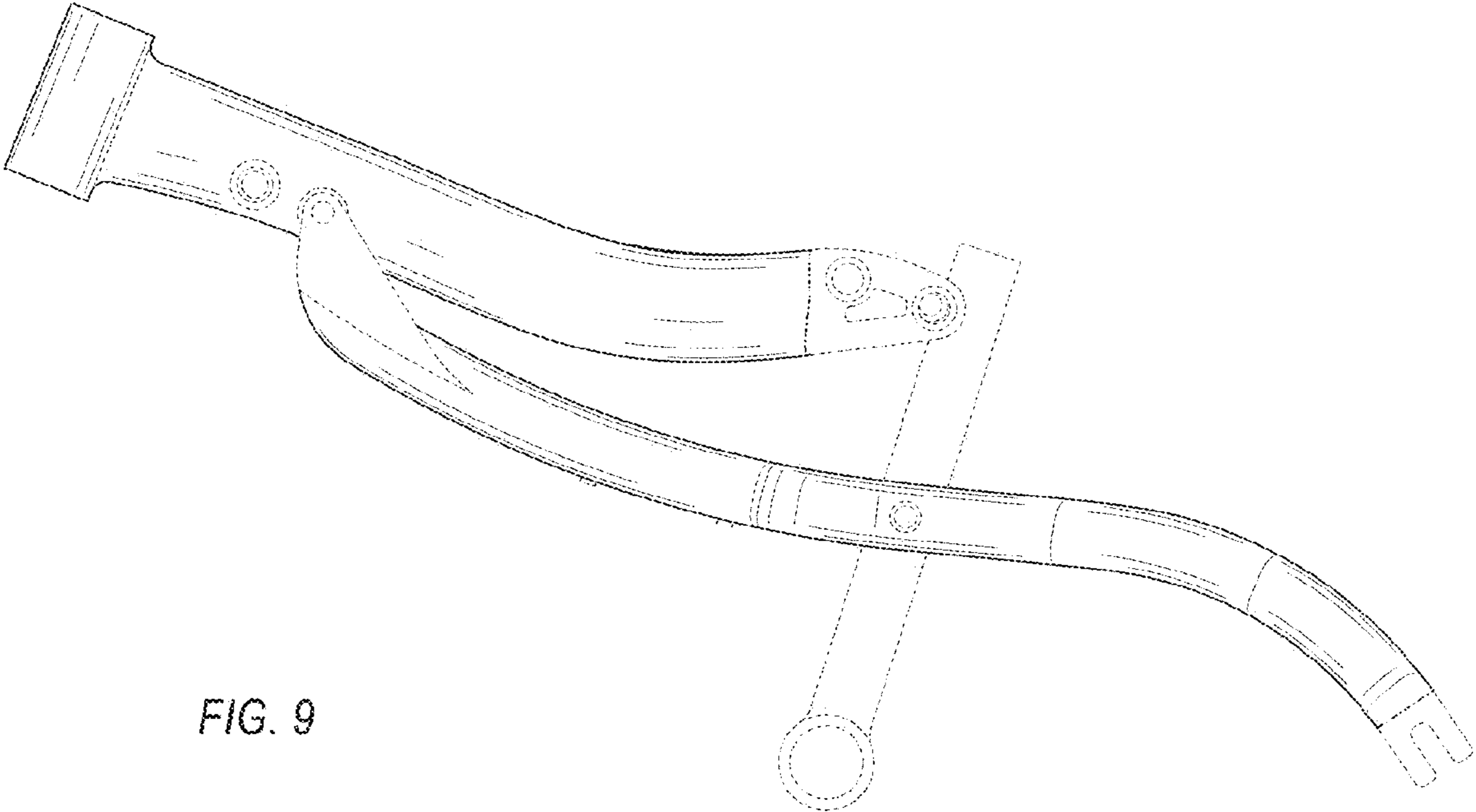


FIG. 9