



US00D931757S

(12) **United States Design Patent**  
**Liu**

(10) **Patent No.:** **US D931,757 S**

(45) **Date of Patent:** **\*\* Sep. 28, 2021**

(54) **UNMANNED AERIAL VEHICLE**  
(71) Applicant: **AUTEL ROBOTICS CO., LTD.**,  
Guangdong (CN)  
(72) Inventor: **Qiang Liu**, Guangdong (CN)  
(73) Assignee: **AUTEL ROBOTICS CO., LTD.**,  
Shenzhen (CN)

(\*\*) Term: **15 Years**

(21) Appl. No.: **29/717,859**

(22) Filed: **Dec. 19, 2019**

(30) **Foreign Application Priority Data**

Jun. 19, 2019 (CN) ..... 201930319412.5

(51) **LOC (13) Cl.** ..... **12-07**

(52) **U.S. Cl.**  
USPC ..... **D12/16.1**

(58) **Field of Classification Search**

USPC ..... D12/1, 2, 3, 4, 16.1, 174, 319–345;  
D21/436–455; D13/109

CPC ..... B64C 29/0033; B64C 2201/021; B64C  
29/02; B64C 2201/088; B64C 2201/104;  
B64C 2201/141

See application file for complete search history.

(56) **References Cited**

**U.S. PATENT DOCUMENTS**

5,035,382 A \* 7/1991 Lissaman ..... A63H 27/00  
244/190  
D430,529 S \* 9/2000 Hajek ..... D12/319

D492,738 S \* 7/2004 Darack ..... D12/321  
D596,267 S \* 7/2009 Colgren ..... D12/319  
D712,310 S \* 9/2014 Gundlach ..... D12/16.1  
9,555,873 B1 \* 1/2017 Alley ..... B64C 5/12  
D809,448 S \* 2/2018 Schmiderer ..... D12/344  
D859,280 S \* 9/2019 Calcedonio Boscarino .....  
D12/323  
D897,269 S \* 9/2020 Schmiderer ..... D12/344  
2010/0237183 A1 \* 9/2010 Wilson ..... B64C 39/024  
244/3  
2017/0197702 A1 \* 7/2017 Alley ..... B64C 11/28  
2020/0010182 A1 \* 1/2020 Renteria ..... A63H 27/02

\* cited by examiner

*Primary Examiner* — John A Voytek

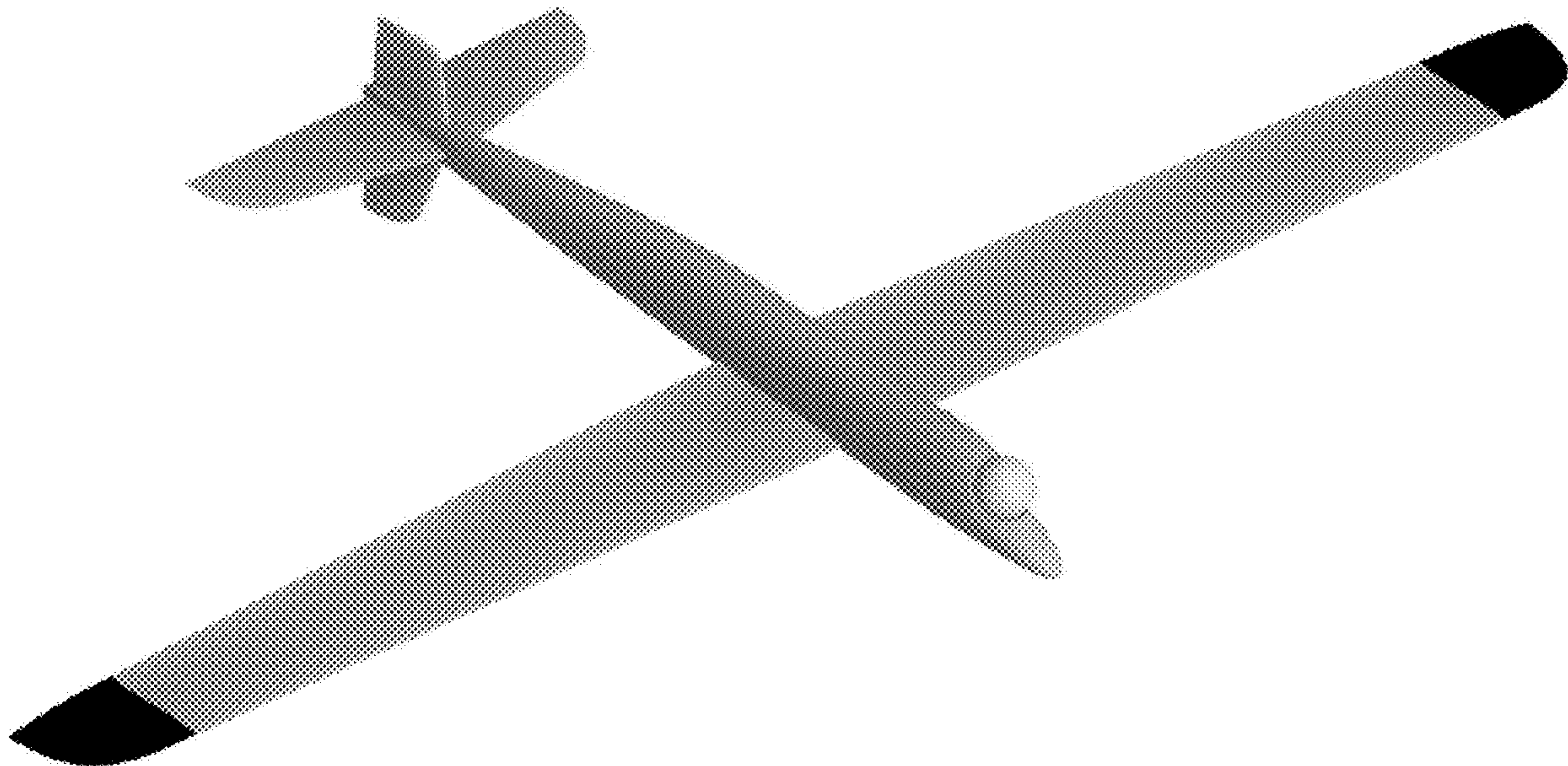
(57) **CLAIM**

I claim the ornamental design for an unmanned aerial vehicle, as shown and described.

**DESCRIPTION**

FIG. 1 is a front elevational view of an unmanned aerial vehicle showing my new design;  
FIG. 2 is a back elevational view thereof;  
FIG. 3 is a left side elevational view thereof;  
FIG. 4 is a right side elevational view thereof;  
FIG. 5 is a top plan view thereof;  
FIG. 6 is a bottom plan view thereof;  
FIG. 7 is a top, front and left side perspective view thereof;  
and,  
FIG. 8 is a top, back and left side perspective view thereof.

**1 Claim, 4 Drawing Sheets**



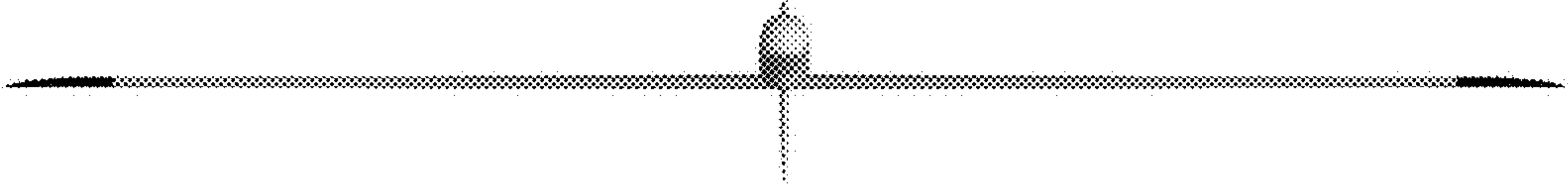


FIG.1

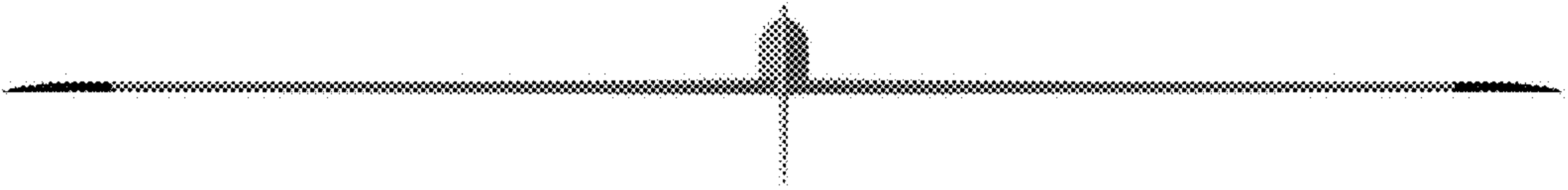


FIG.2



FIG.3

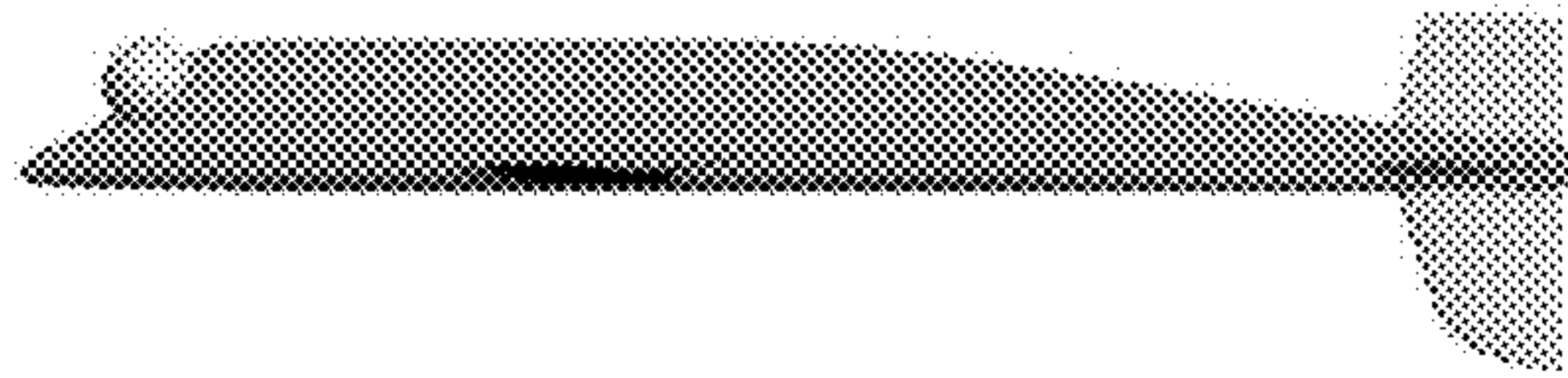


FIG.4

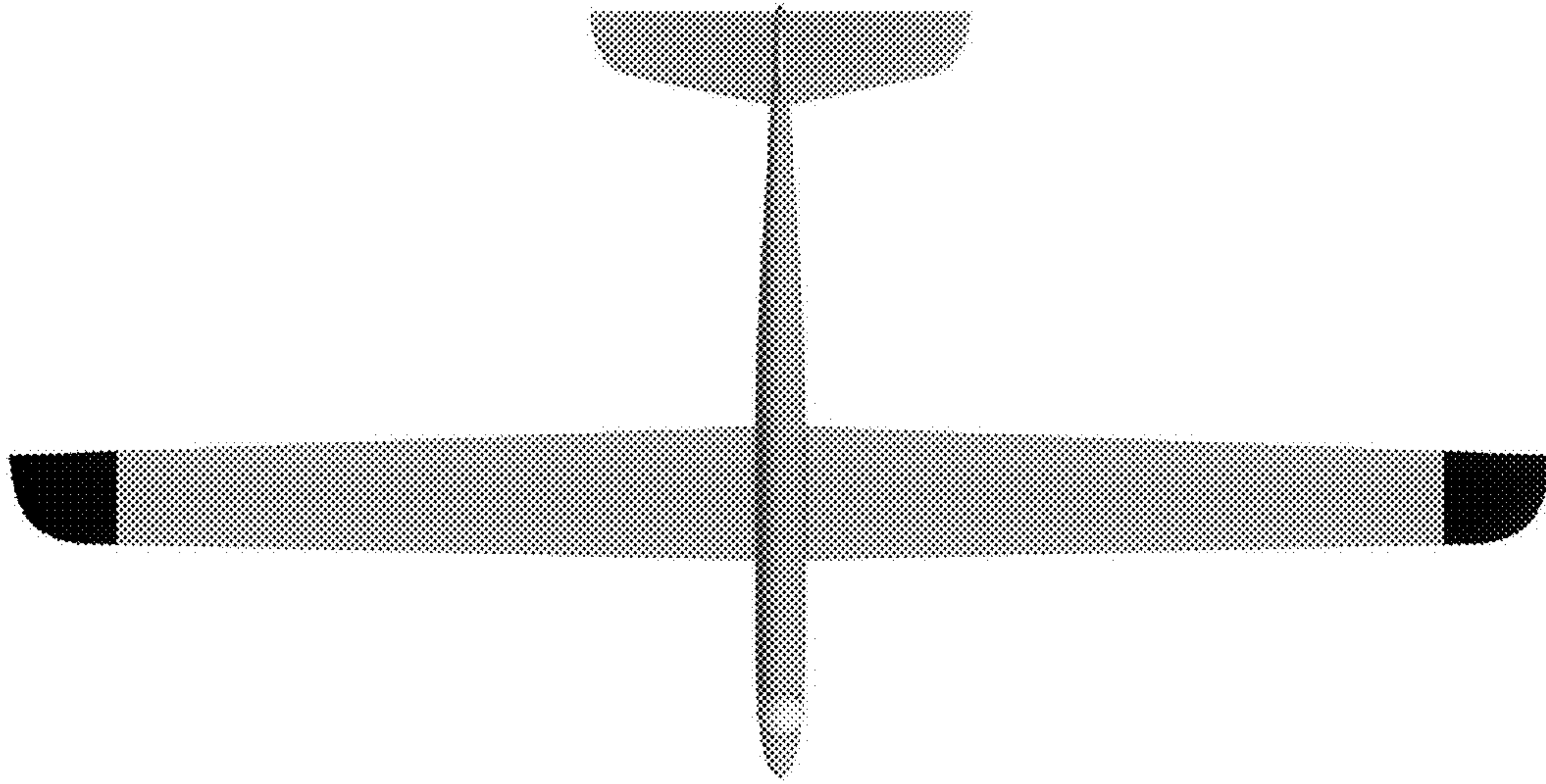


FIG.5

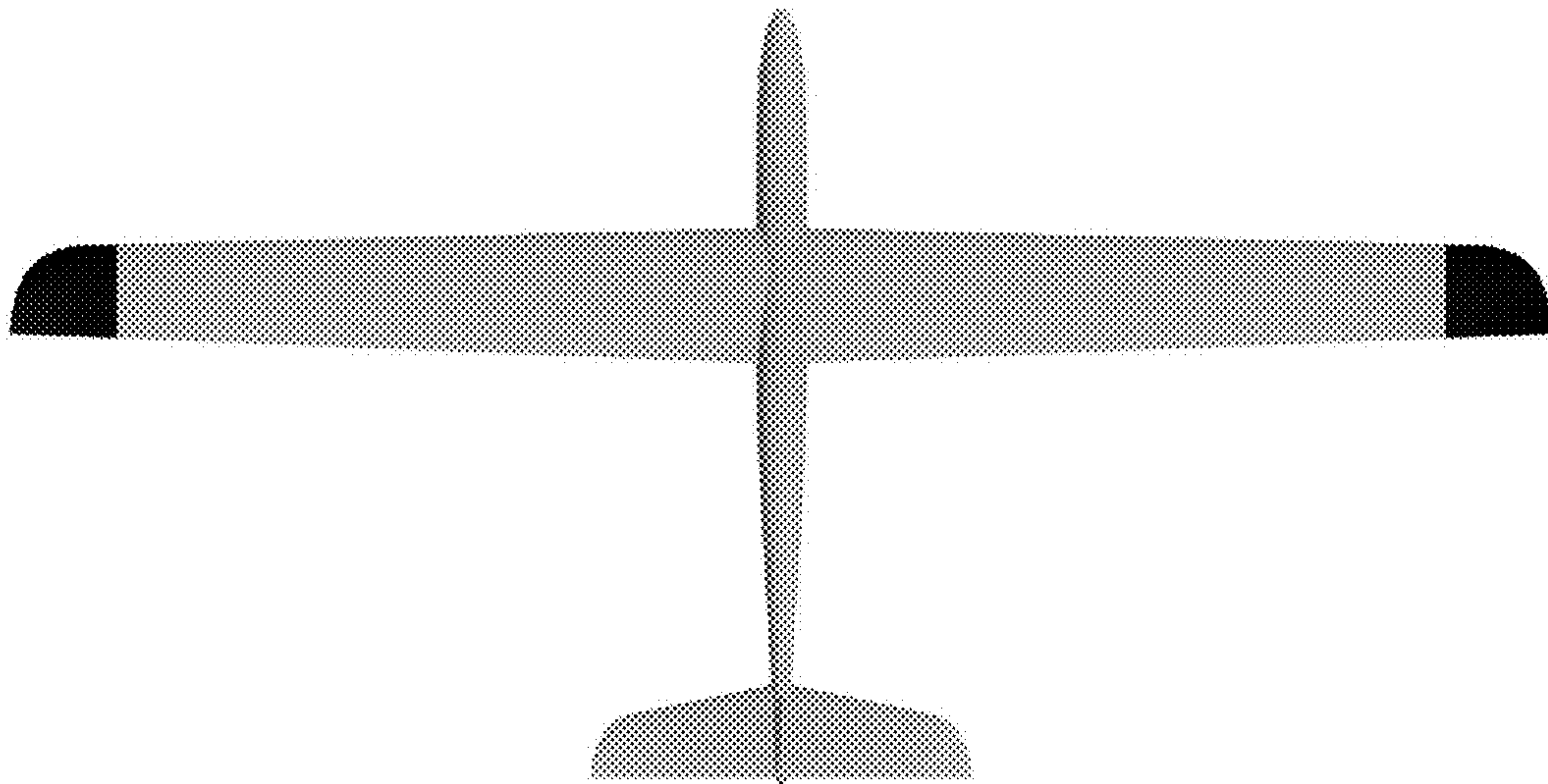


FIG.6



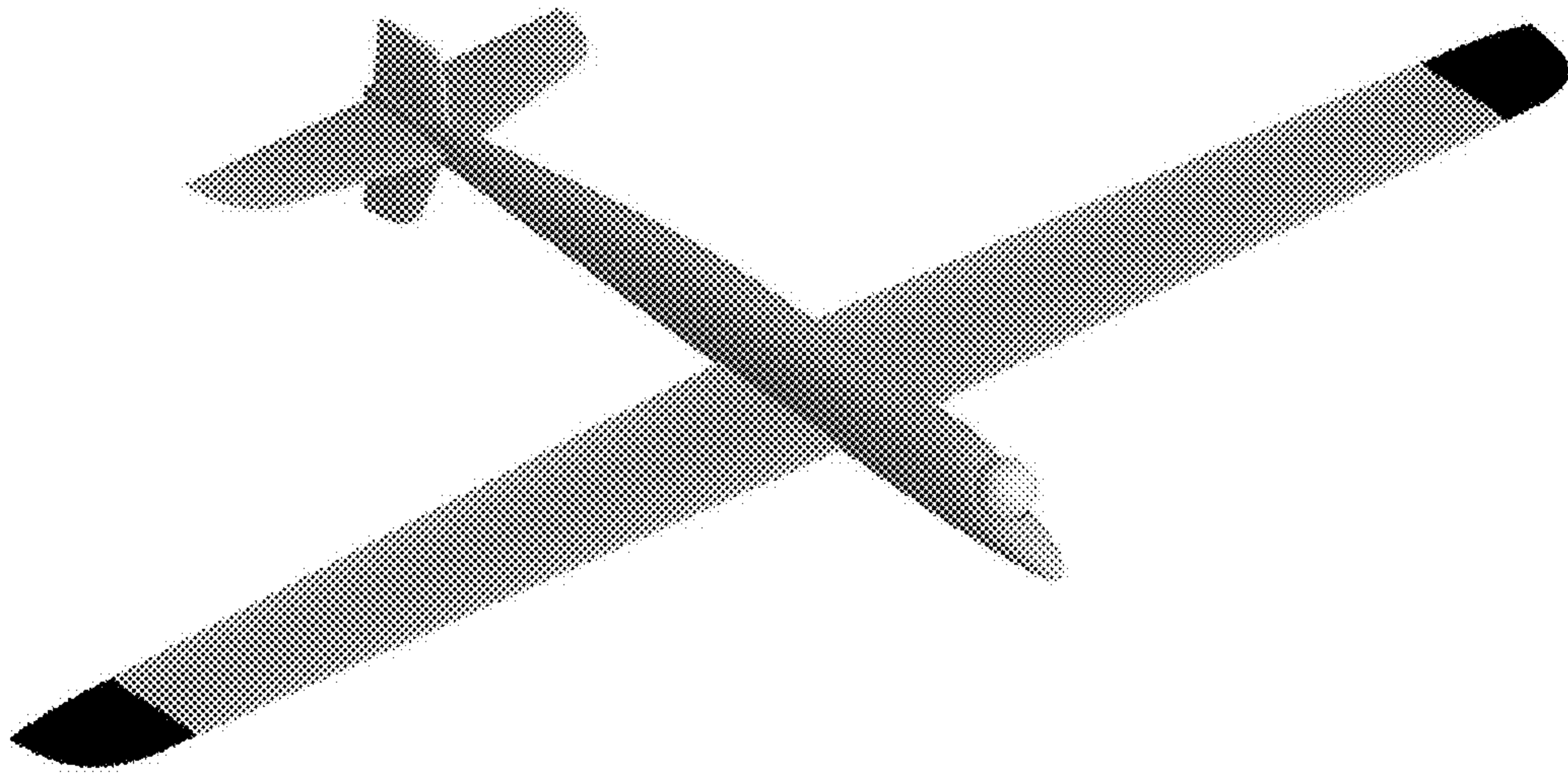


FIG. 7

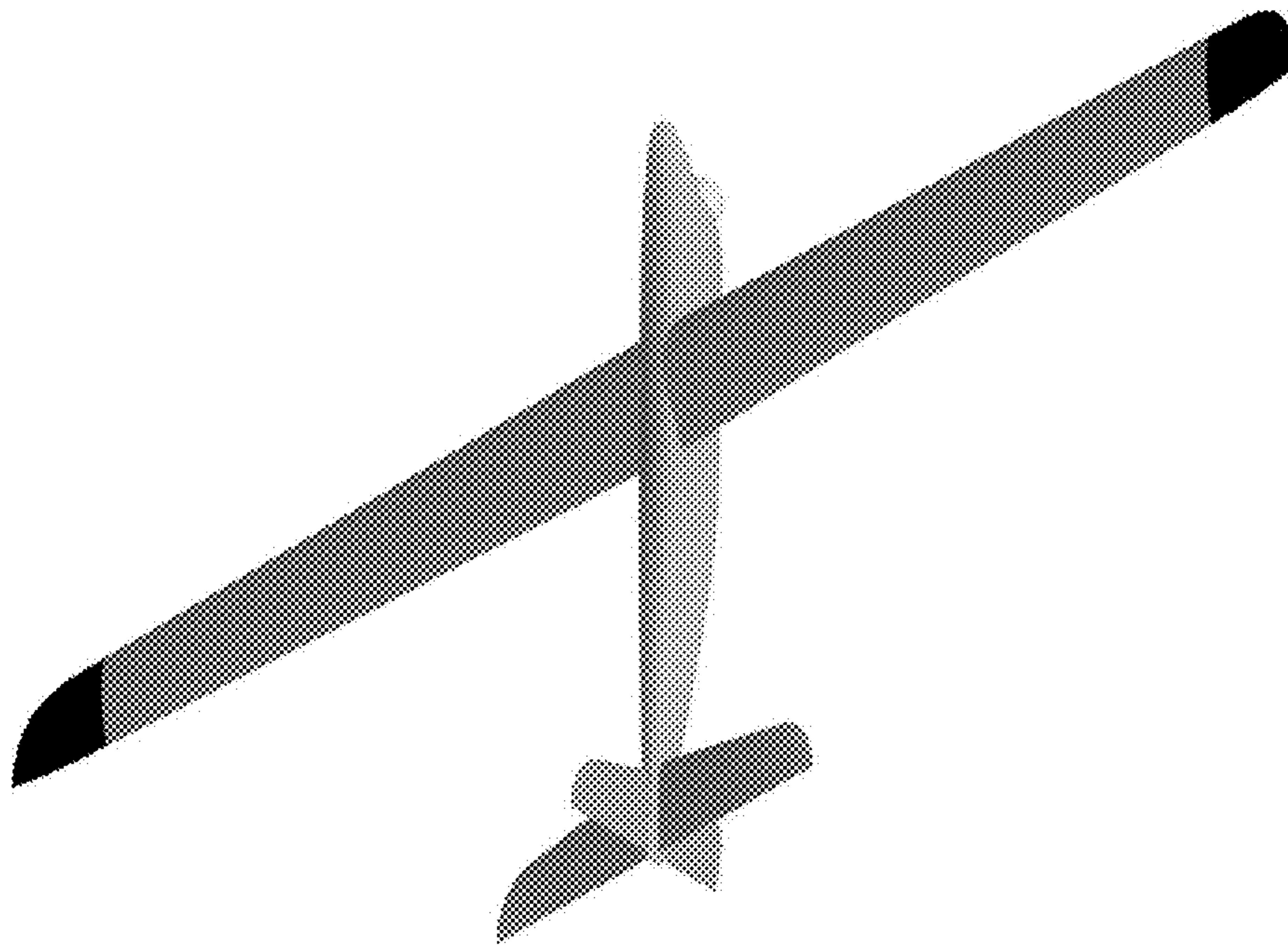


FIG. 8