



US00D931754S

(12) **United States Design Patent** (10) **Patent No.:** **US D931,754 S**  
**Sivriere** (45) **Date of Patent:** **\*\* Sep. 28, 2021**

(54) **ARTICLE OF JEWELRY**  
(71) Applicant: **RICHEMONT INTERNATIONAL SA, Villars-sur-Glane (CH)**  
(72) Inventor: **Stephanie Sivriere, Geneva (CH)**  
(73) Assignee: **RICHEMONT INTERNATIONAL SA, Villars-sur-Glane (CH)**

D257,023 S \* 9/1980 Barr ..... D11/43  
D265,894 S \* 8/1982 Barr ..... D11/43  
D334,003 S \* 3/1993 Vogelsang ..... D11/43  
D336,621 S \* 6/1993 Vogelsang ..... D11/43  
D421,728 S \* 3/2000 Sutton ..... D11/56  
D456,300 S \* 4/2002 Brisk ..... D11/79  
D635,046 S \* 3/2011 Dobashi ..... D11/2  
D640,585 S \* 6/2011 Nolan ..... D11/43  
D906,861 S \* 1/2021 Sivriere ..... D11/40

\* cited by examiner

(\*\*) Term: **15 Years**  
(21) Appl. No.: **29/734,244**  
(22) Filed: **May 11, 2020**

*Primary Examiner* — Llorellys Martinez  
(74) *Attorney, Agent, or Firm* — Oliff PLC

(30) **Foreign Application Priority Data**

Mar. 18, 2020 (WO) ..... 93206

(51) **LOC (13) Cl.** ..... **11-01**  
(52) **U.S. Cl.**  
USPC ..... **D11/43**

(58) **Field of Classification Search**  
USPC ..... D11/1, 2, 40-43, 79, 86, 87, 88, 91, 92  
CPC ..... A44C 7/00; A44C 7/001; A44C 7/002;  
A44C 7/003; A44C 7/004; A44C 7/005;  
A44C 7/006; A44C 7/007; A44C 7/008;  
A44C 7/009; A44C 1/00; A44C 15/001;  
A44C 15/0035; A44C 17/02  
See application file for complete search history.

(56) **References Cited**  
U.S. PATENT DOCUMENTS

2,956,422 A \* 10/1960 Davidson ..... A44C 7/00  
63/13

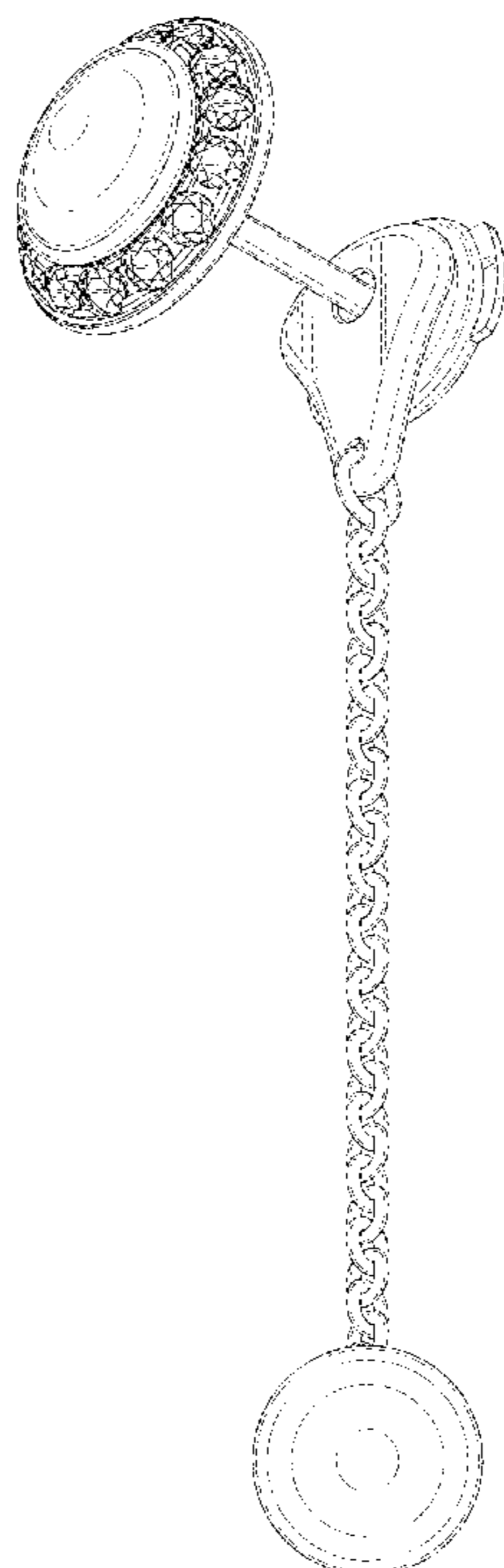
(57) **CLAIM**

The ornamental design for an article of jewelry, as shown and described.

**DESCRIPTION**

FIG. 1 is a front, right-side, bottom perspective view of the article of jewelry, showing the new design;  
FIG. 2 is a front elevational view thereof;  
FIG. 3 is a rear-elevational view thereof;  
FIG. 4 is a left-side elevational view thereof;  
FIG. 5 is a right-side elevational view thereof;  
FIG. 6 is a top plan view thereof; and,  
FIG. 7 is a bottom plan view thereof.

**1 Claim, 7 Drawing Sheets**



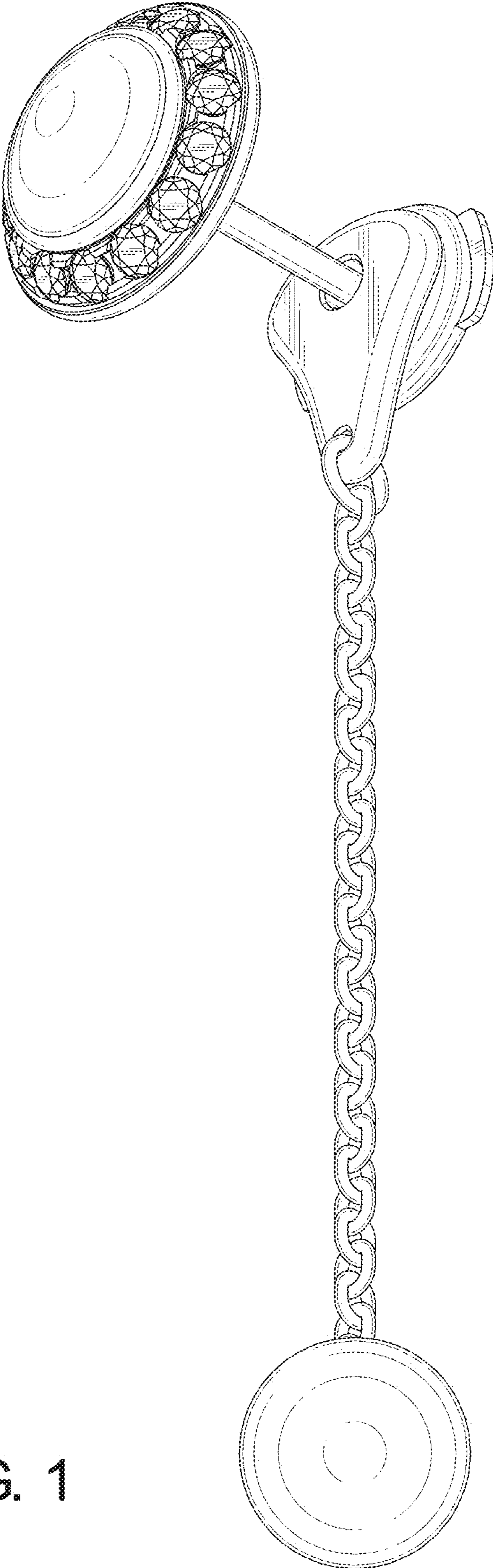


FIG. 1

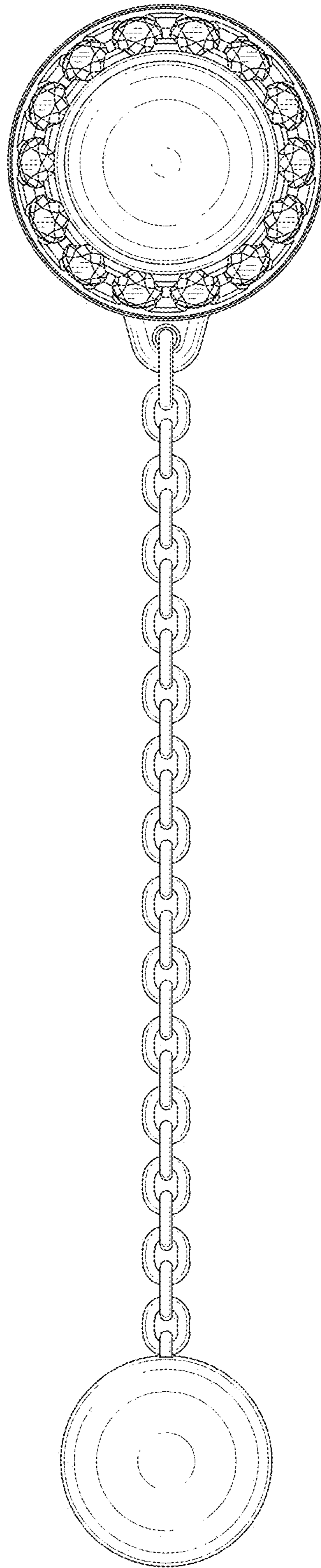


FIG. 2

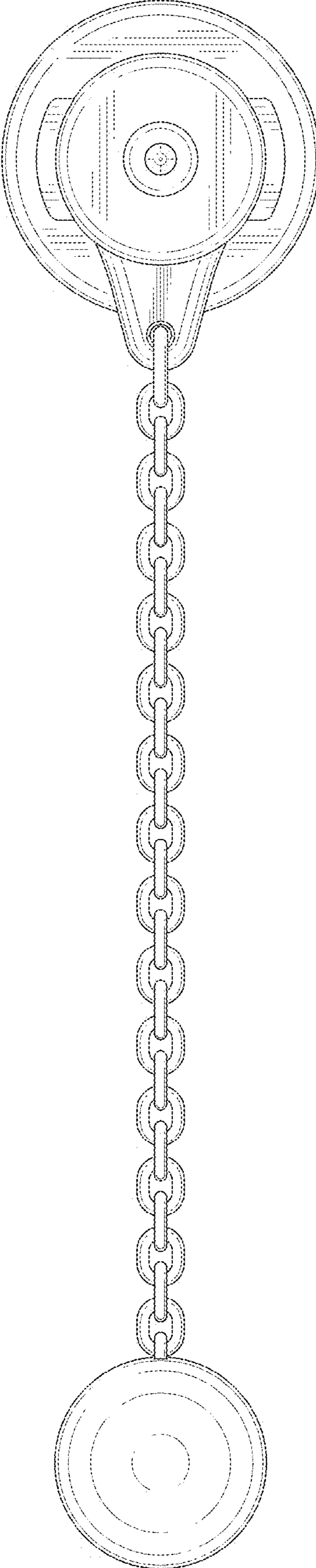


FIG. 3

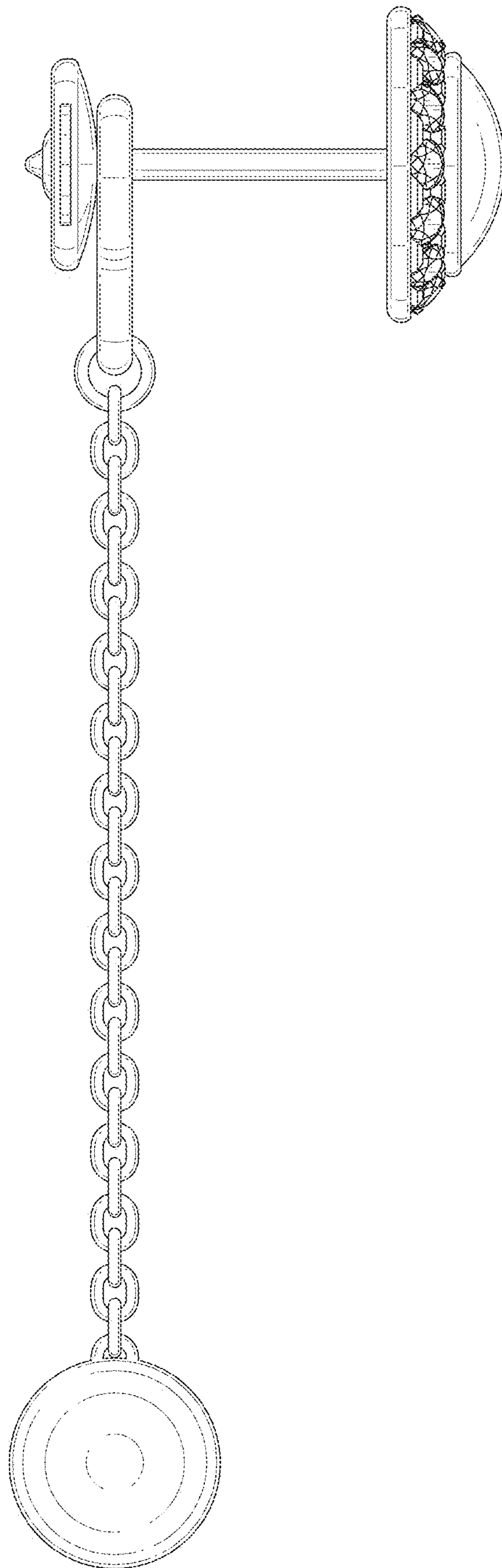


FIG. 4

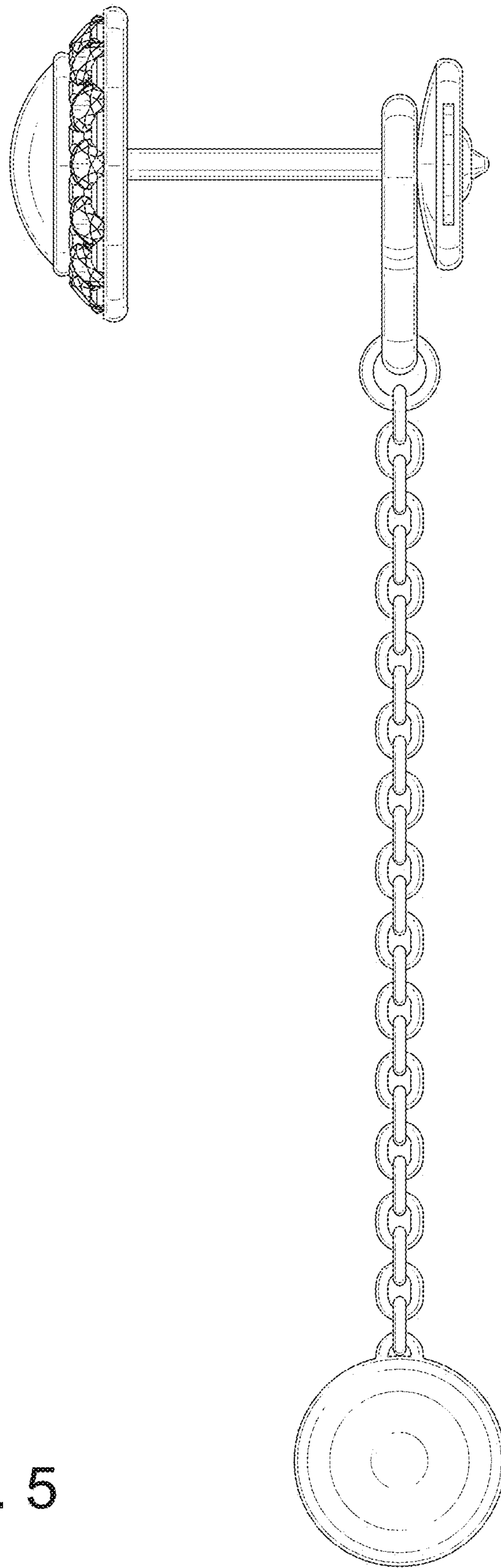


FIG. 5

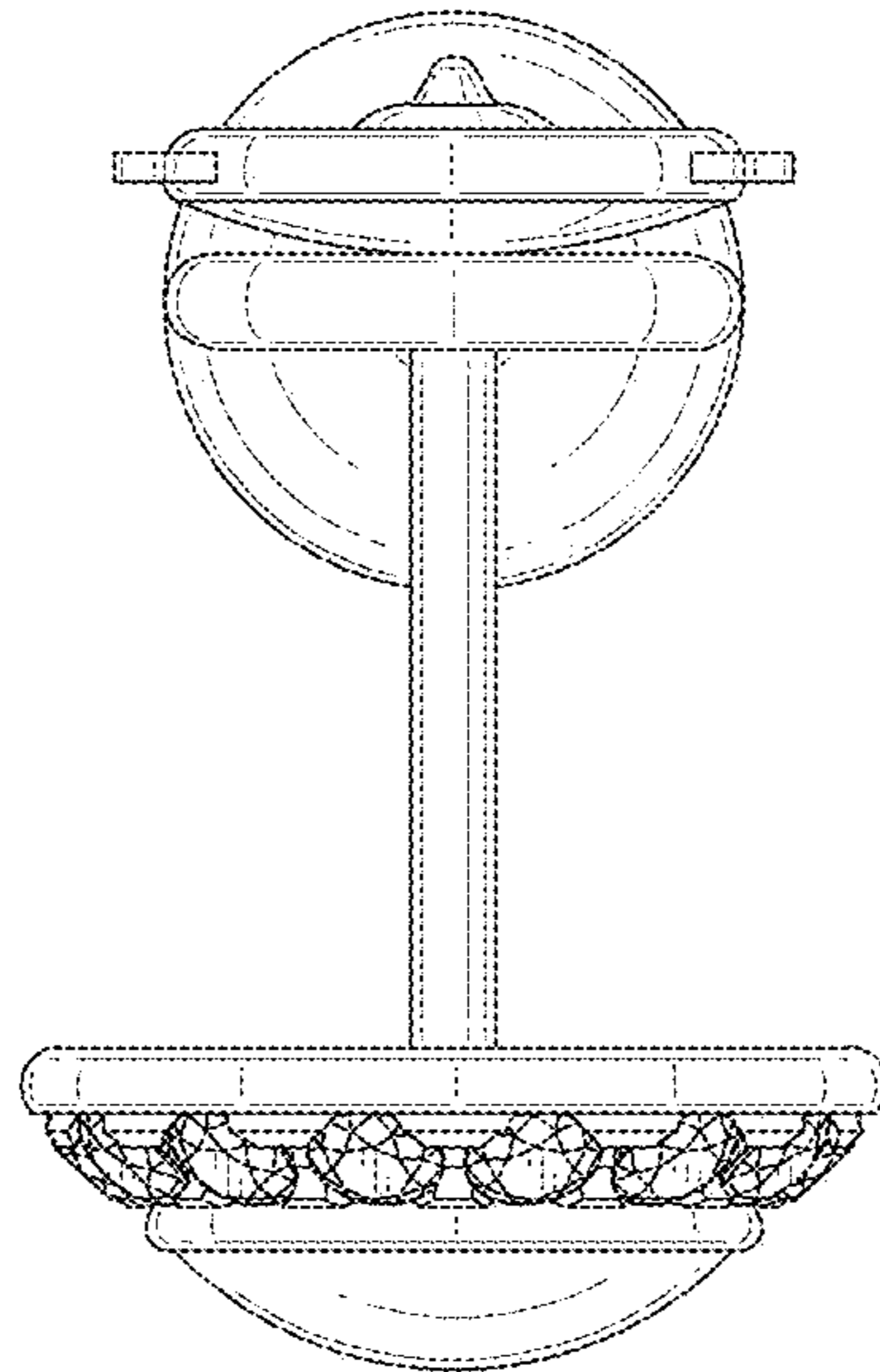


FIG. 6

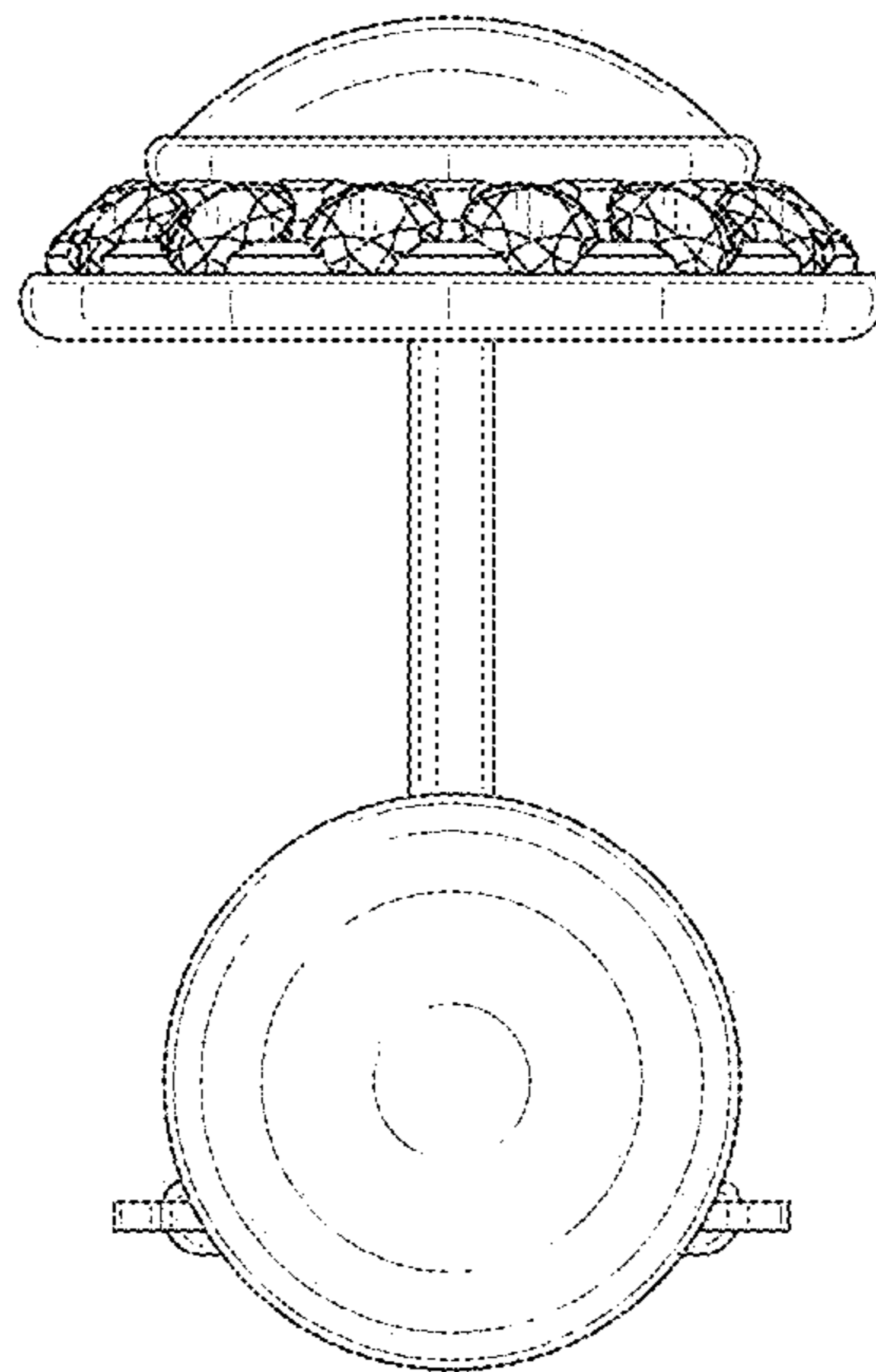


FIG. 7