



US00D931753S

(12) **United States Design Patent** (10) **Patent No.:** **US D931,753 S**
Yamada (45) **Date of Patent:** **** Sep. 28, 2021**

(54) **JEWELLERY**
(71) Applicant: **TASAKI & Co., Ltd.**, Kobe (JP)
(72) Inventor: **Yoshikazu Yamada**, Tokyo (JP)
(73) Assignee: **TASAKI & Co., Ltd.**, Kobe (JP)
(**) Term: **15 Years**
(21) Appl. No.: **29/772,772**
(22) Filed: **Mar. 4, 2021**

D151,763 S * 11/1948 Katz D11/40
D152,364 S 1/1949 Philippe
D156,270 S 11/1949 Philippe
2,502,386 A 3/1950 Mailand
D165,496 S 12/1951 Trott
D171,791 S 3/1954 Katz
D176,210 S * 11/1955 Katz D11/16
D197,576 S * 2/1964 Katz D11/89
D254,537 S * 3/1980 Abelson 63/15.1
D292,560 S 11/1987 Di Maria et al.
D325,543 S 4/1992 Gueit
D545,716 S 7/2007 Bulgari
D780,034 S 2/2017 Kwon

(Continued)

Related U.S. Application Data

(62) Division of application No. 35/508,162, filed on Jun. 4, 2019 (U.S. filing date under 35 U.S.C. 384), and having an international filing date of Jun. 4, 2019, now Pat. No. Des. 918,083.
(51) **LOC (13) Cl.** **11-01**
(52) **U.S. Cl.**
USPC **D11/26**
(58) **Field of Classification Search**
USPC D11/1, 2, 3, 4, 26-39, 40-48, 79-86
CPC A44C 1/00; A44C 9/00; A44C 9/0007;
A44C 9/0015; A44C 9/0023; A44C
9/003; A44C 9/0038; A44C 9/0046; A44C
9/0053; A44C 9/0061; A44C 9/0069;
A44C 9/0076; A44C 9/0092; A44C 9/02;
A44C 25/00; A44C 25/001; A44C
25/002; A44C 25/007
See application file for complete search history.

OTHER PUBLICATIONS

[Online] "Tasaki Danger Ring" <https://www.tasaki-global.com/jewellery/collectionline/danger/danger/R-4787-18KYG/>. Retrieved May 22, 2021.*

(Continued)

Primary Examiner — Melanie Pellegrini
(74) *Attorney, Agent, or Firm* — Rankin, Hill & Clark LLP

(57) **CLAIM**

The ornamental design for jewellery, as shown and described.

DESCRIPTION

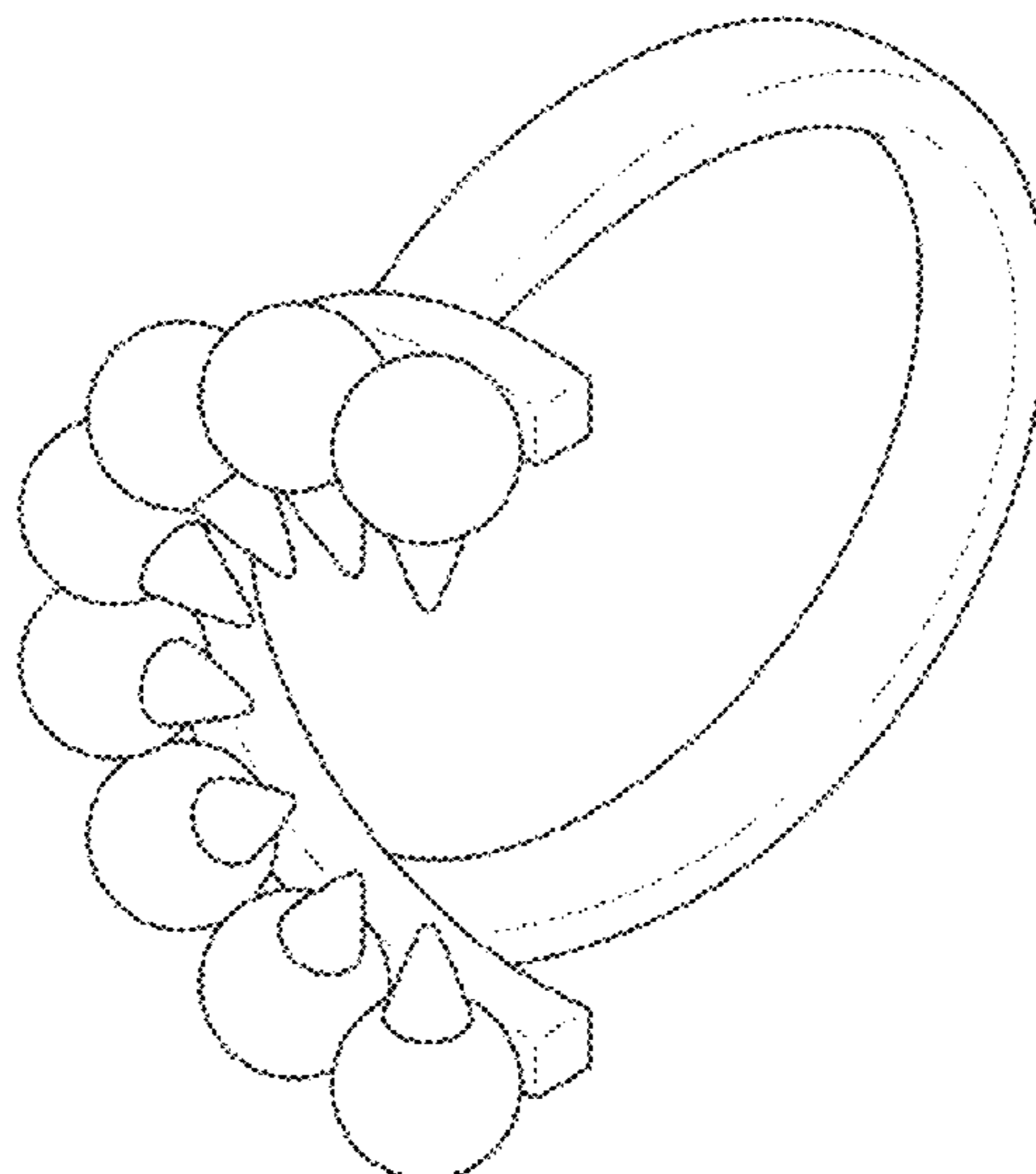
FIG. 1 : Perspective view 1
FIG. 2 : Perspective view 2
FIG. 3 : Front
FIG. 4 : Right
FIG. 5 : Left
FIG. 6 : Top
FIG. 7 : Bottom
FIG. 8 : Back

The thin lines on the article show a three-dimensional shape of the article surface.

(56) **References Cited**
U.S. PATENT DOCUMENTS

D32,523 S 4/1900 Zell
D137,311 S 2/1944 Rubel
D146,762 S 5/1947 Chernow
D147,448 S 9/1947 Katz
D150,930 S 9/1948 Chernow
D151,176 S 9/1948 Philippe

1 Claim, 8 Drawing Sheets



(56)

References Cited

U.S. PATENT DOCUMENTS

D834,987 S	12/2018	Morin	
D882,448 S *	4/2020	Gurung	D11/26
D896,120 S	9/2020	Messika	
D900,663 S *	11/2020	Spillane	D11/26
D902,771 S	11/2020	Tashjian	
D908,525 S *	1/2021	Yamada	D11/79
D913,143 S *	3/2021	Yamada	D11/26
D913,144 S *	3/2021	Yamada	D11/40
D914,538 S *	3/2021	Yamada	D11/79
D918,083 S *	5/2021	Yamada	D11/42

OTHER PUBLICATIONS

[Online] https://www.farfetch.com/shopping/women/tasaki-18kt-yellow-gold-danger-collection-line-akoya-pearl-ear-clip-item-14738113_aspx?storeid=12602&rtype=portal_pdp_generic_c&rpos=9&rid=183eba82-9435-4763-9845-04a805488c2c, Retrieved Jan. 2, 2021; Cited in USPTO office communication dated Jan. 12, 2021 issued for U.S. Appl. No. 35/508,162.

[Online] "Danger" <https://www.tasaki-global.com/jewellery/collectionline/danger/danger/R-4787-18KYGL>, Retrieved Nov. 18, 2020; Cited in USPTO office communication dated Nov. 19, 2020 issued for U.S. Appl. No. 35/508,162.

[Online] "Danger Earring" <https://www.tasaki-global.com/jewellery/collectionline/danger/danger/E-4224-18KYG/?jewellery=earrings>, Retrieved Nov. 18, 2020; Cited in USPTO office communication dated Nov. 19, 2020 issued for U.S. Appl. No. 35/508,162.

* cited by examiner

FIG. 1

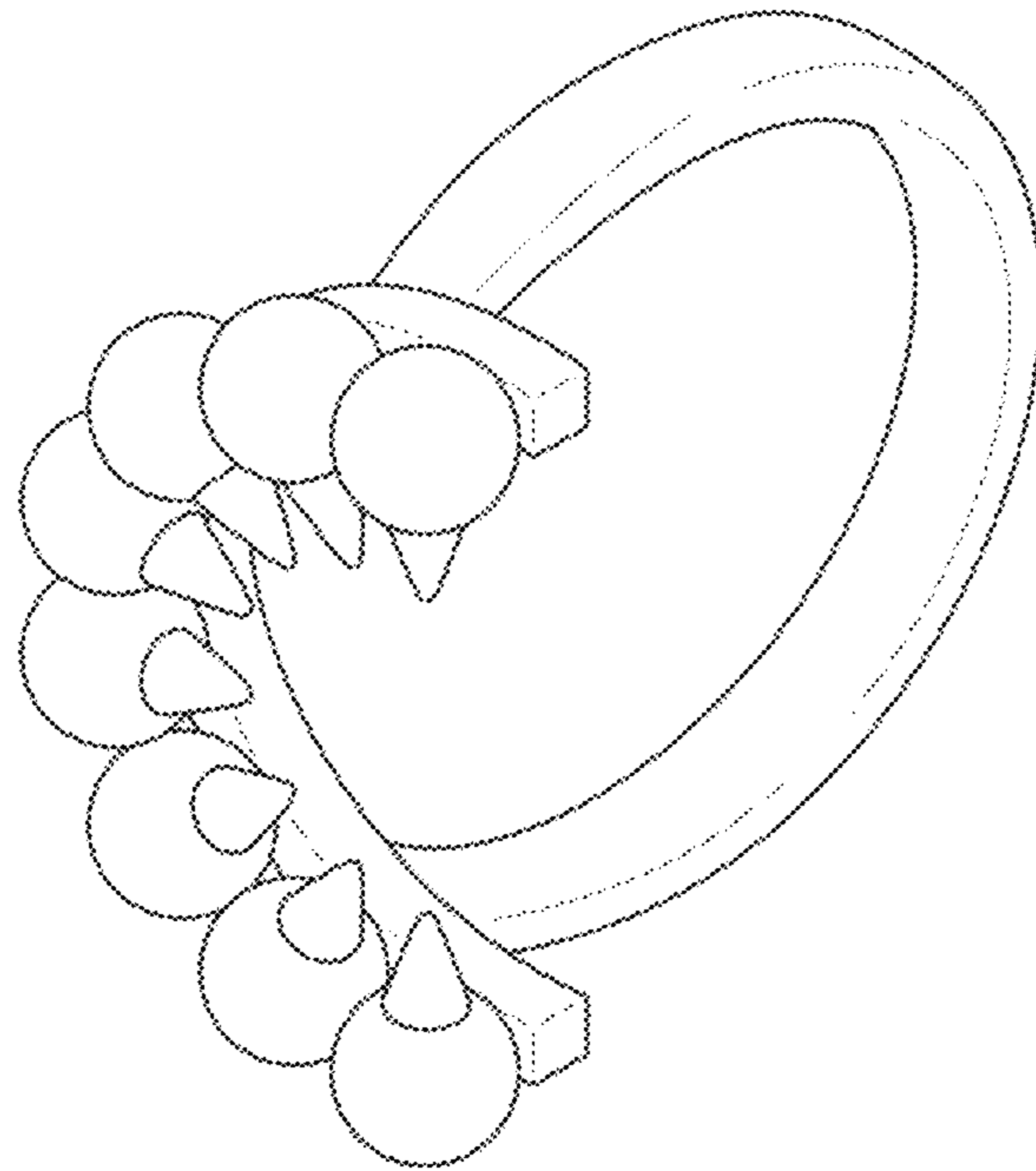


FIG. 2

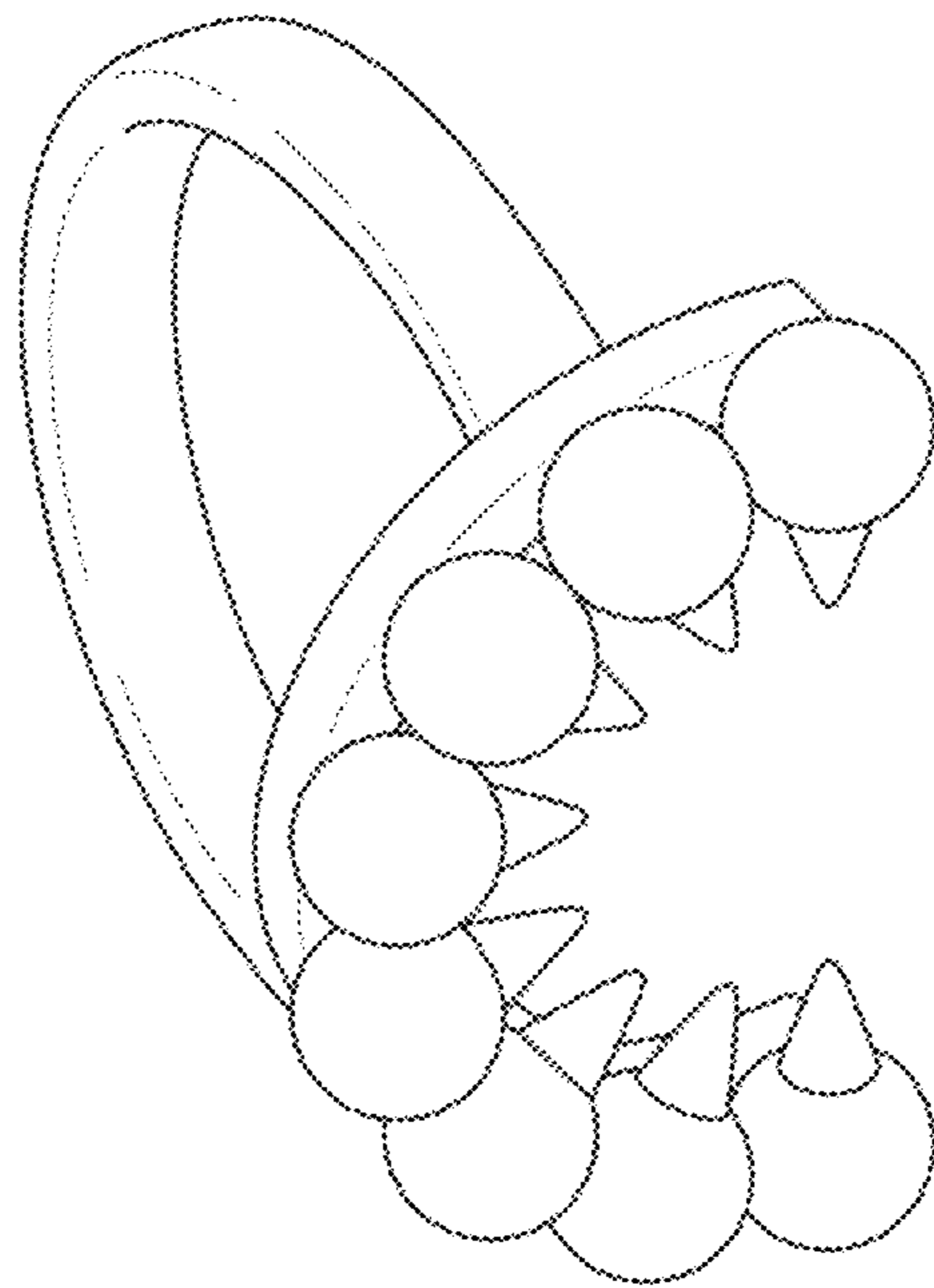


FIG. 3

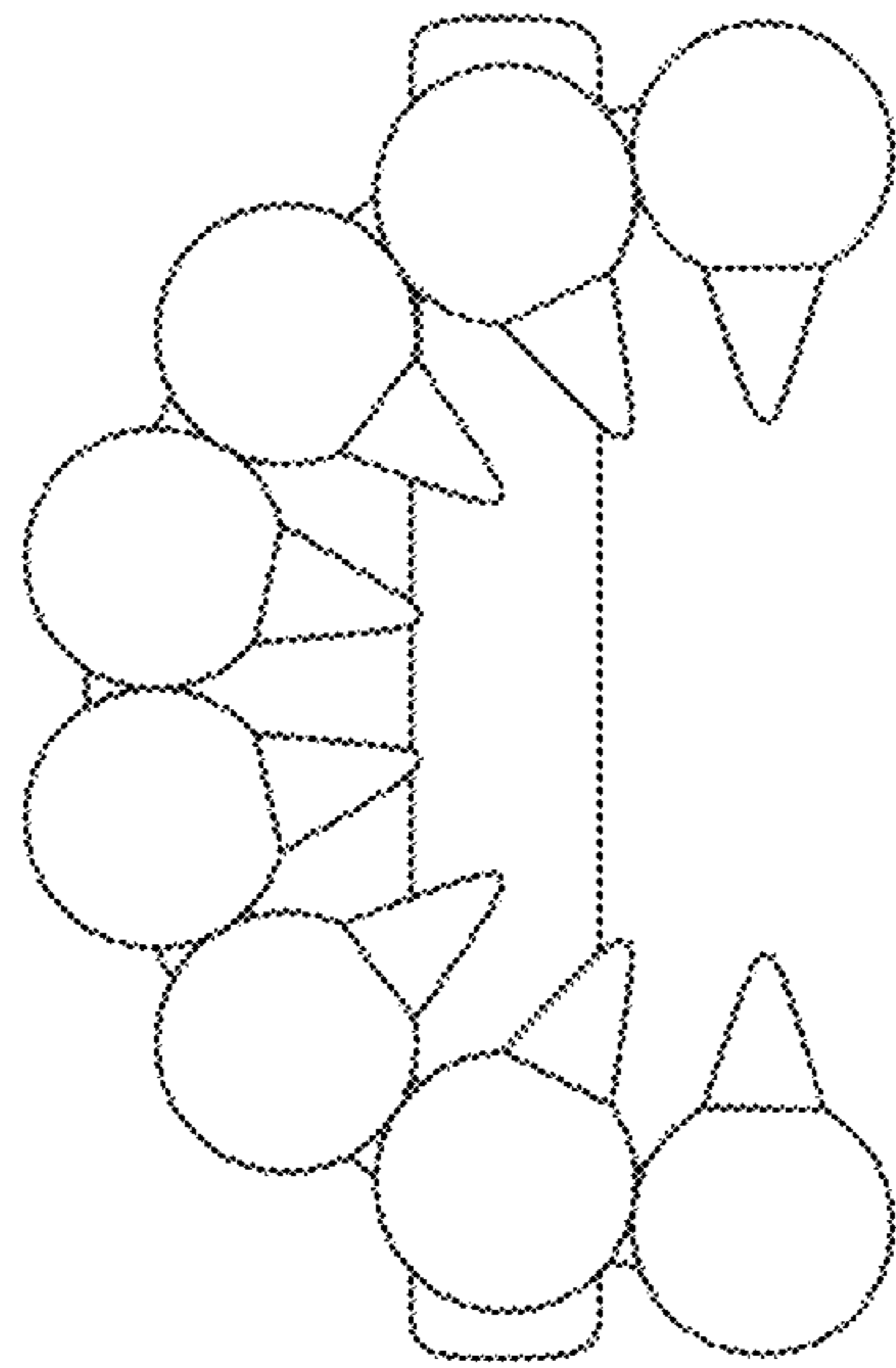


FIG. 4

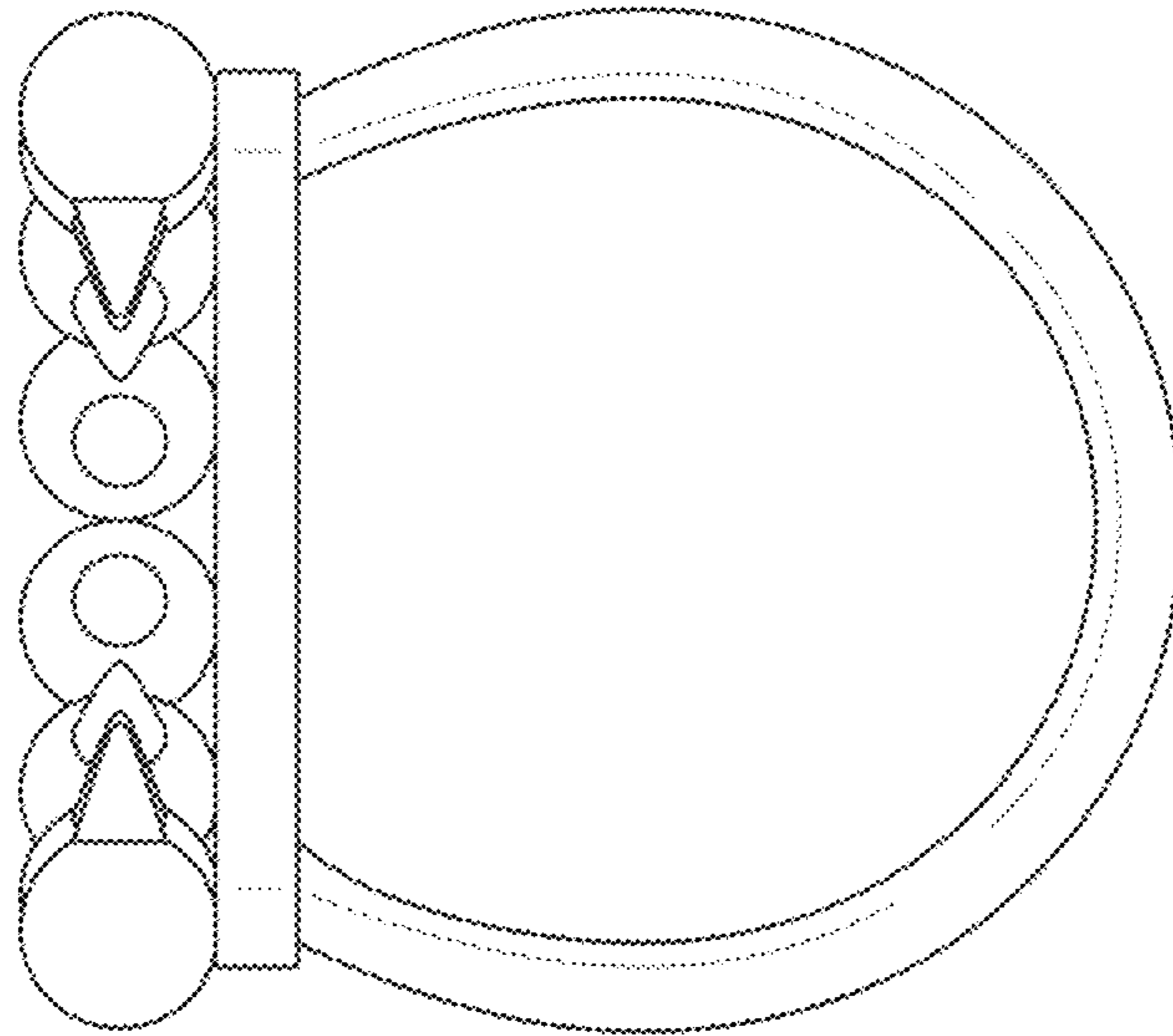


FIG. 5

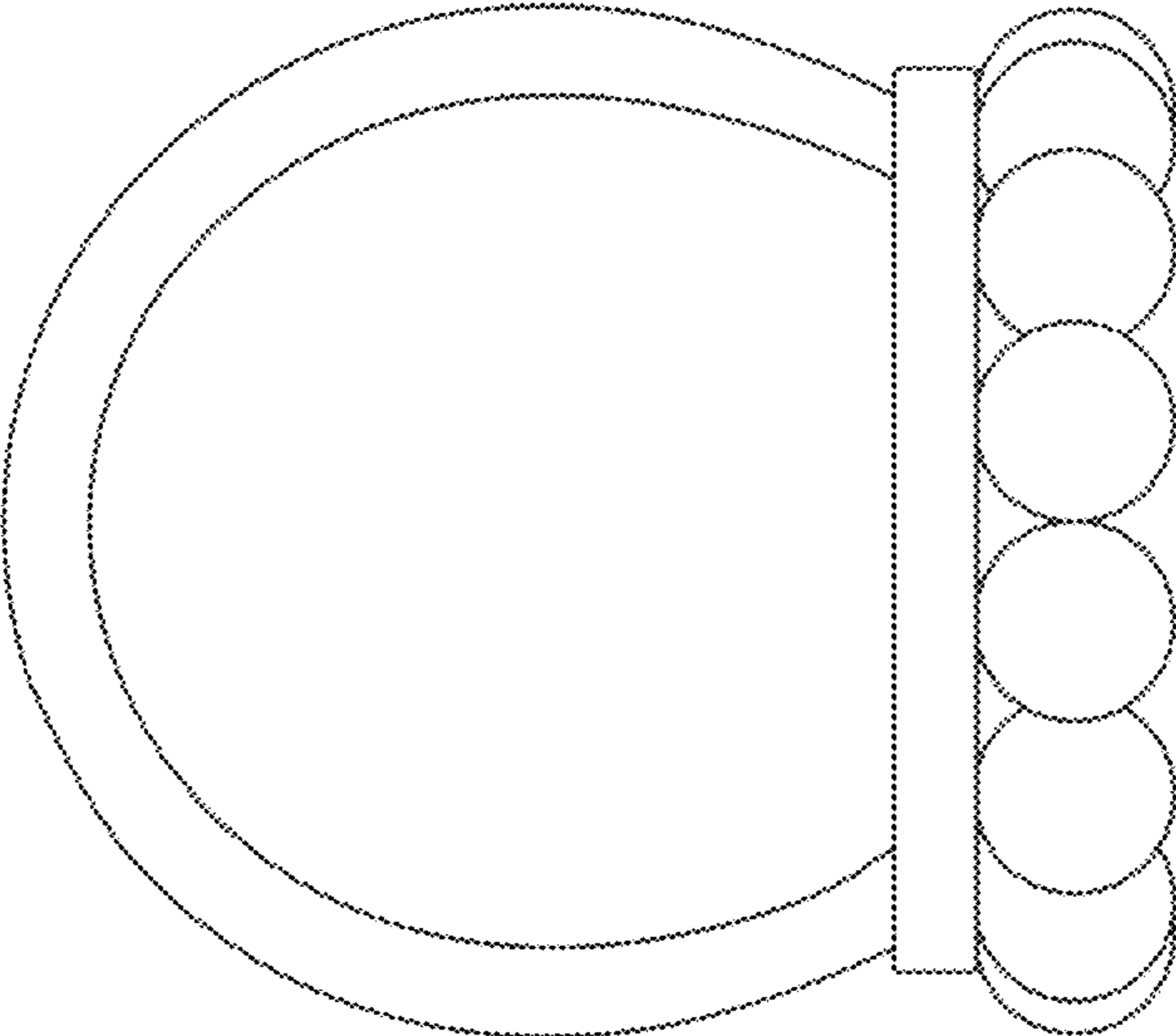


FIG. 6

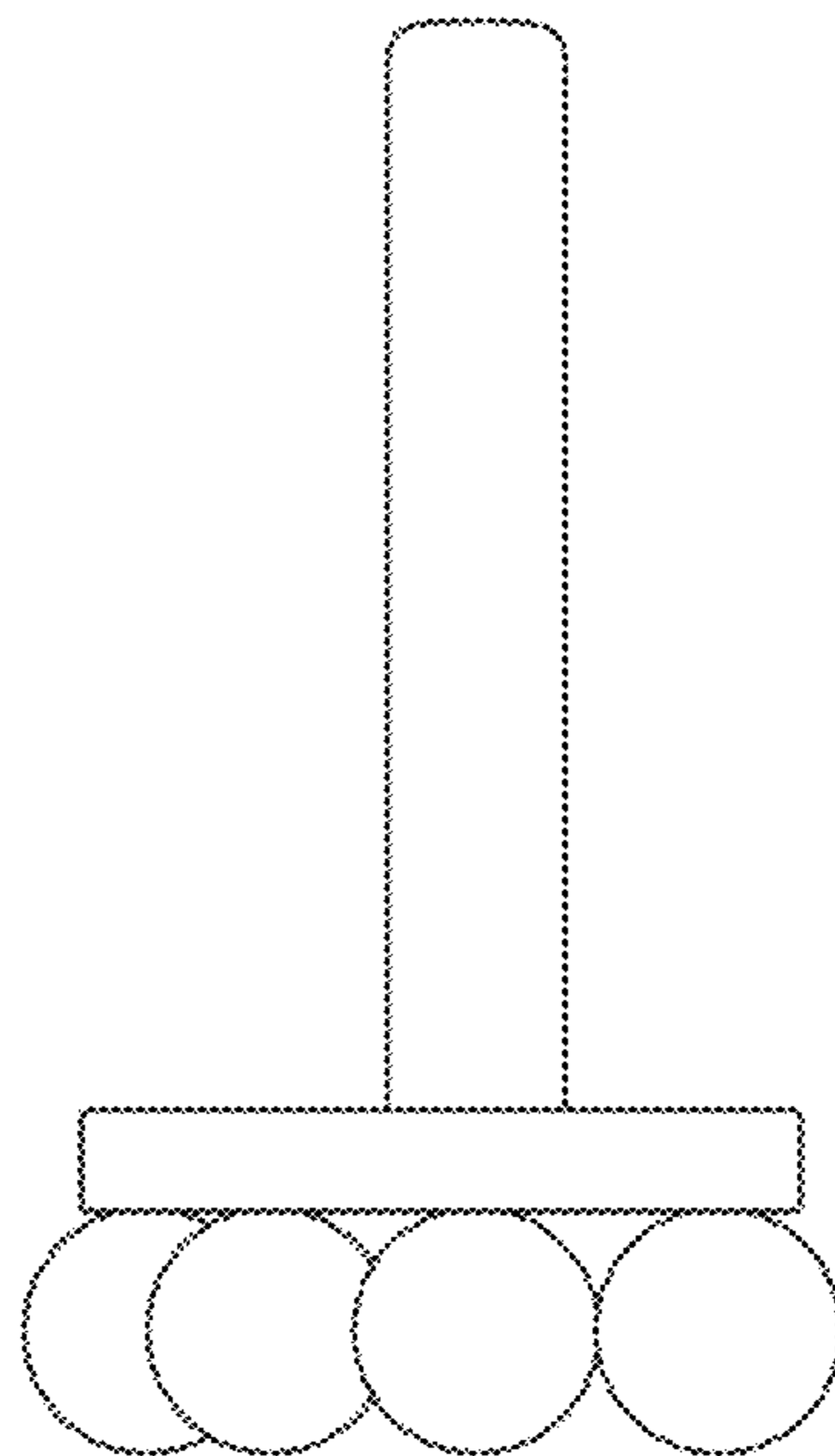


FIG. 7

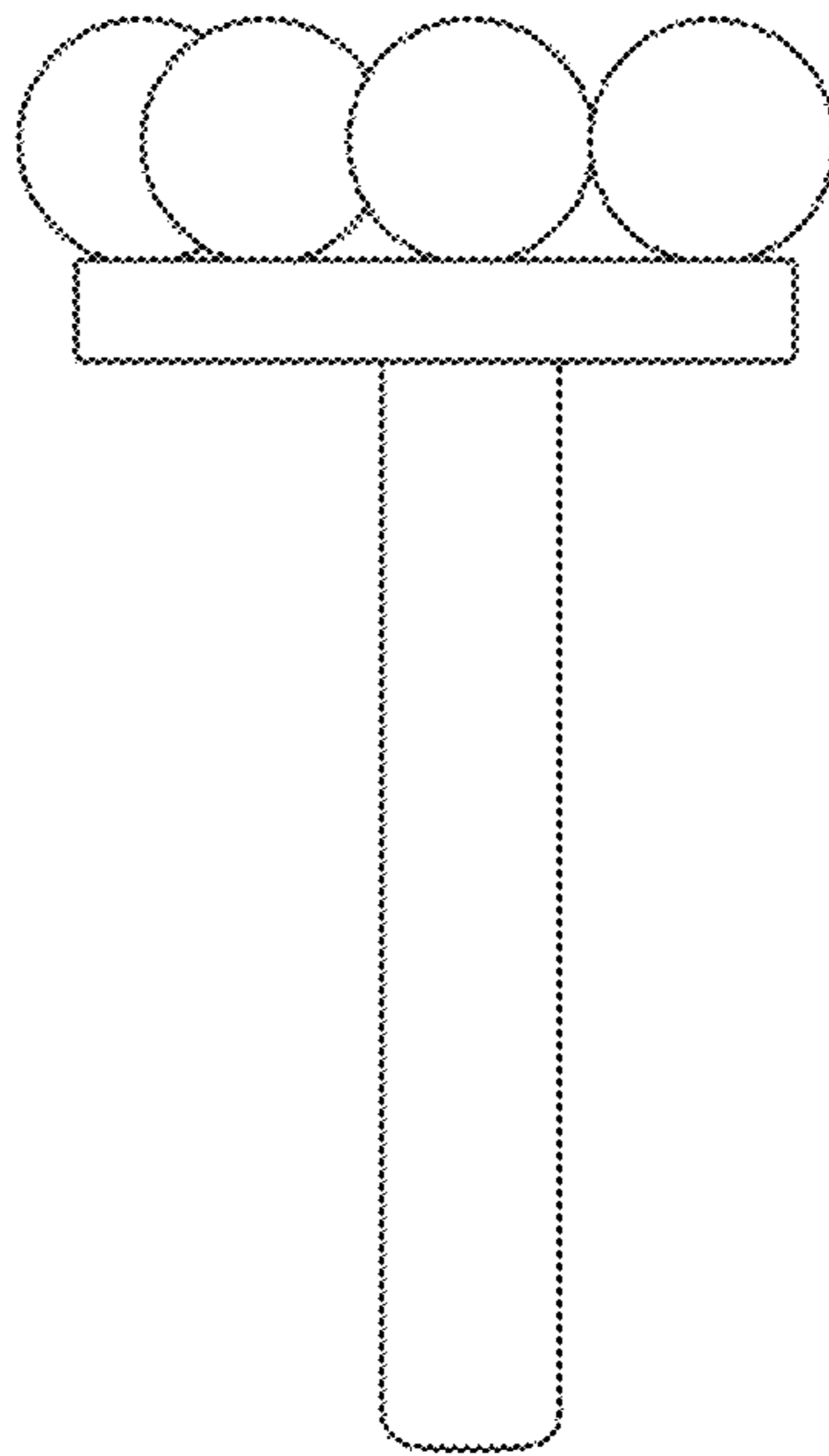


FIG. 8

