



US00D931748S

(12) **United States Design Patent**
Pfluger et al.

(10) **Patent No.:** **US D931,748 S**

(45) **Date of Patent:** **** Sep. 28, 2021**

(54) **WEIGH-IN-MOTION APPARATUS**

(71) Applicant: **Kistler Holding AG**, Winterthur (CH)

(72) Inventors: **Kim Pfluger**, New York, NY (US);
Adrian Ribi, Winterthur (CH); **Peter Thurnheer**, Winterthur (CH); **Tobias Meili**, Brütten (CH)

(**) Term: **15 Years**

(21) Appl. No.: **35/509,005**

(22) Filed: **May 29, 2019**

(80) **Hague Agreement Data**

Int. Filing Date: **May 29, 2019**

Int. Reg. No.: **DM/206934**

Int. Reg. Date: **May 29, 2019**

Int. Reg. Pub. Date: **Apr. 10, 2020**

(51) **LOC (13) Cl.** **10-04**

(52) **U.S. Cl.**
USPC **D10/87**

(58) **Field of Classification Search**
USPC D10/83, 104.1, 78, 65, 87; D12/179
CPC G01D 5/26
See application file for complete search history.

(56) **References Cited**

U.S. PATENT DOCUMENTS

D163,284 S * 5/1951 Hollins D12/179
7,183,533 B2 * 2/2007 Osako G01D 5/26
250/221

D594,361 S * 6/2009 Miller D10/104.1
D620,821 S * 8/2010 Driver D10/65
D672,260 S * 12/2012 Irokawa D10/83
D734,193 S * 7/2015 Friedrich D10/104.1
D765,529 S * 9/2016 Friedrich D10/104.1
D798,173 S * 9/2017 Iwata D10/83
D827,468 S * 9/2018 Kataoka D10/83

* cited by examiner

Primary Examiner — George D. Kirschbaum

(57) **CLAIM**

The ornamental design for a weigh-in-motion apparatus, as shown and described.

DESCRIPTION

3. Weigh-in-motion apparatus

FIG. 3.1 is a front elevation view thereof;

FIG. 3.2 is a rear elevation view thereof;

FIG. 3.3 is a right side elevation view thereof;

FIG. 3.4 is a left side elevation view thereof;

FIG. 3.5 is a top plan view thereof;

FIG. 3.6 is a bottom plan view thereof;

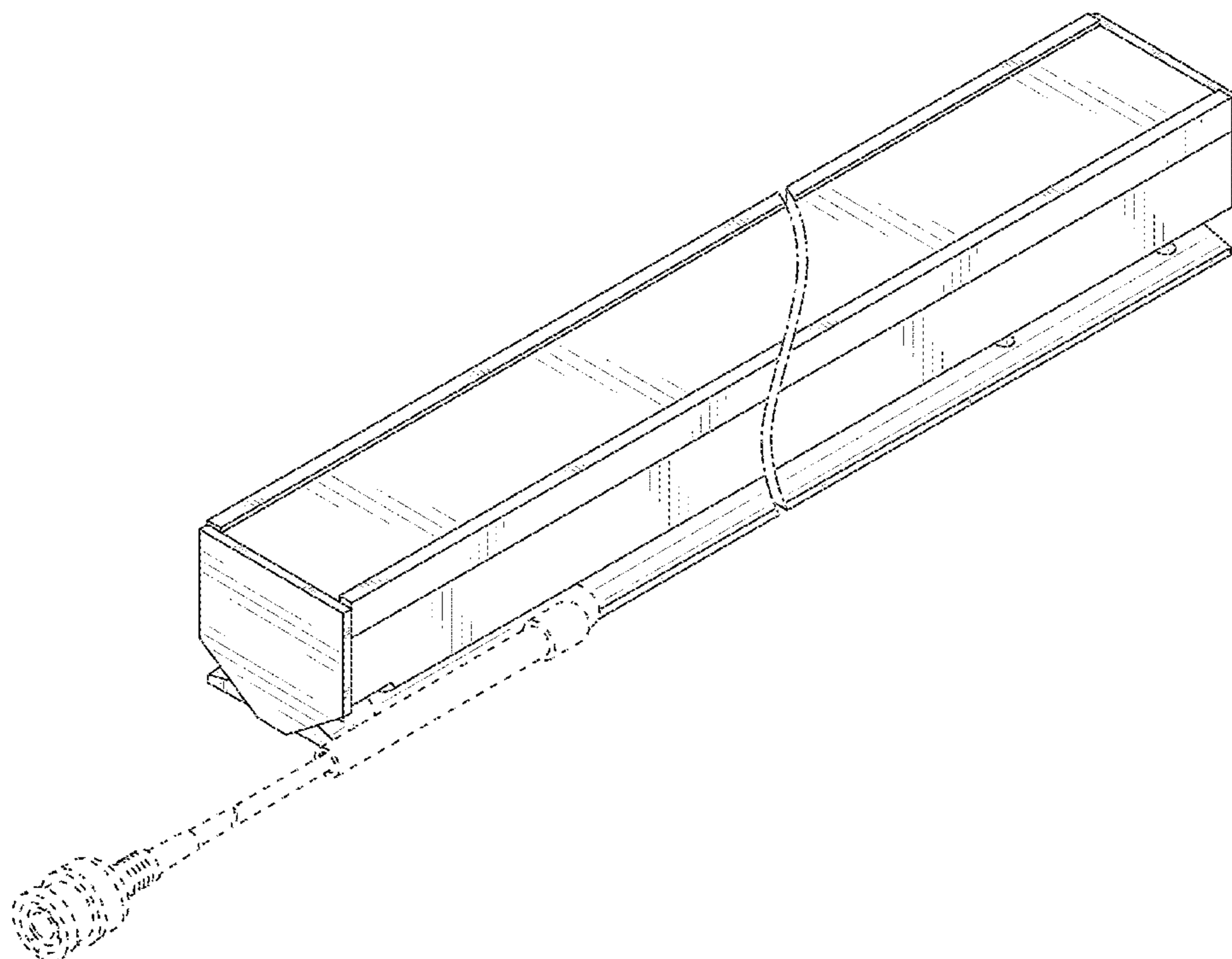
FIG. 3.7 is a perspective view of a weigh-in-motion apparatus embodying the new design from above the front left side thereof; and

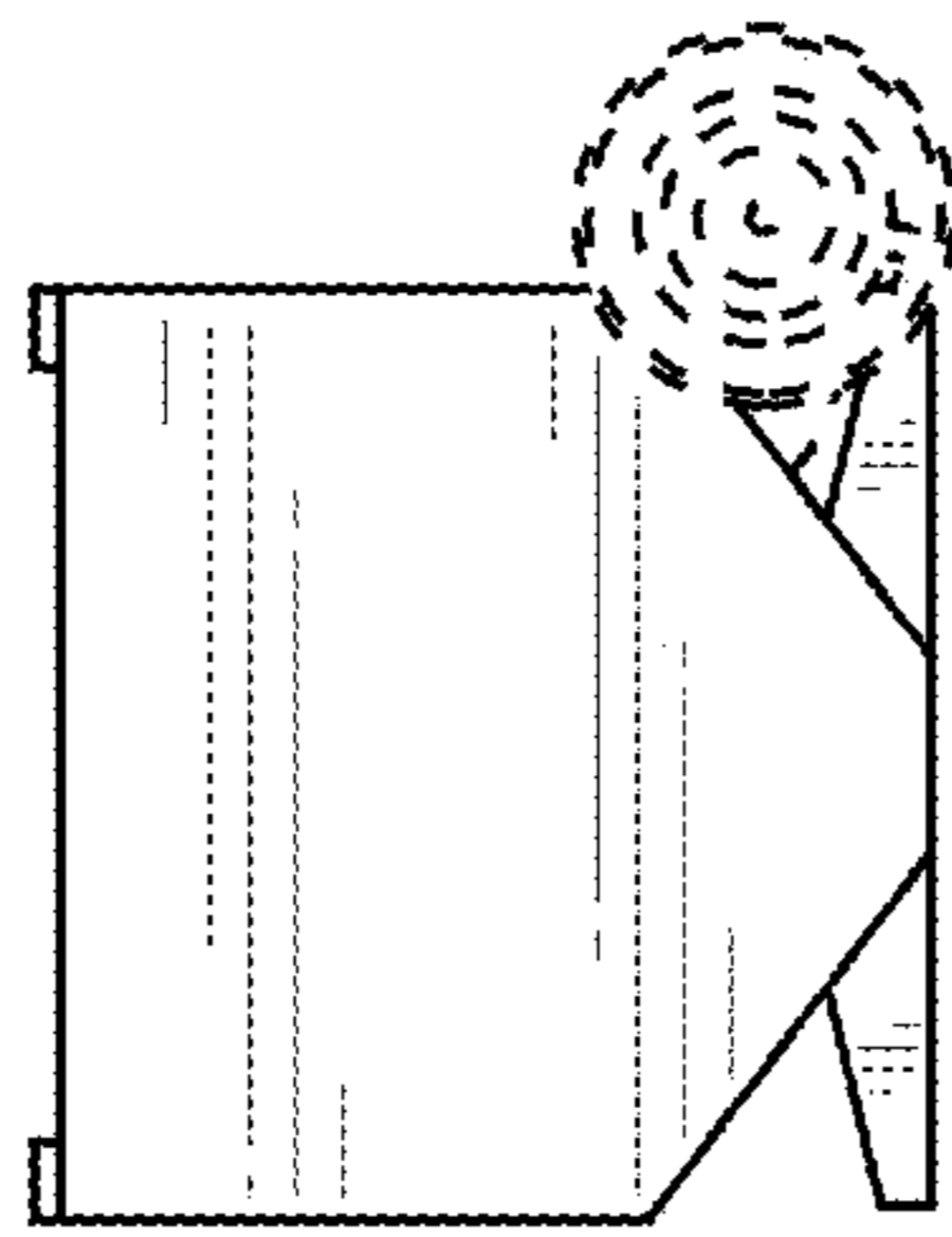
FIG. 3.8 is a perspective view from below the rear right side thereof.

The break lines in the drawings indicate that the appearance of any portion of the weigh-in-motion apparatus between the break lines forms no part of the claimed design.

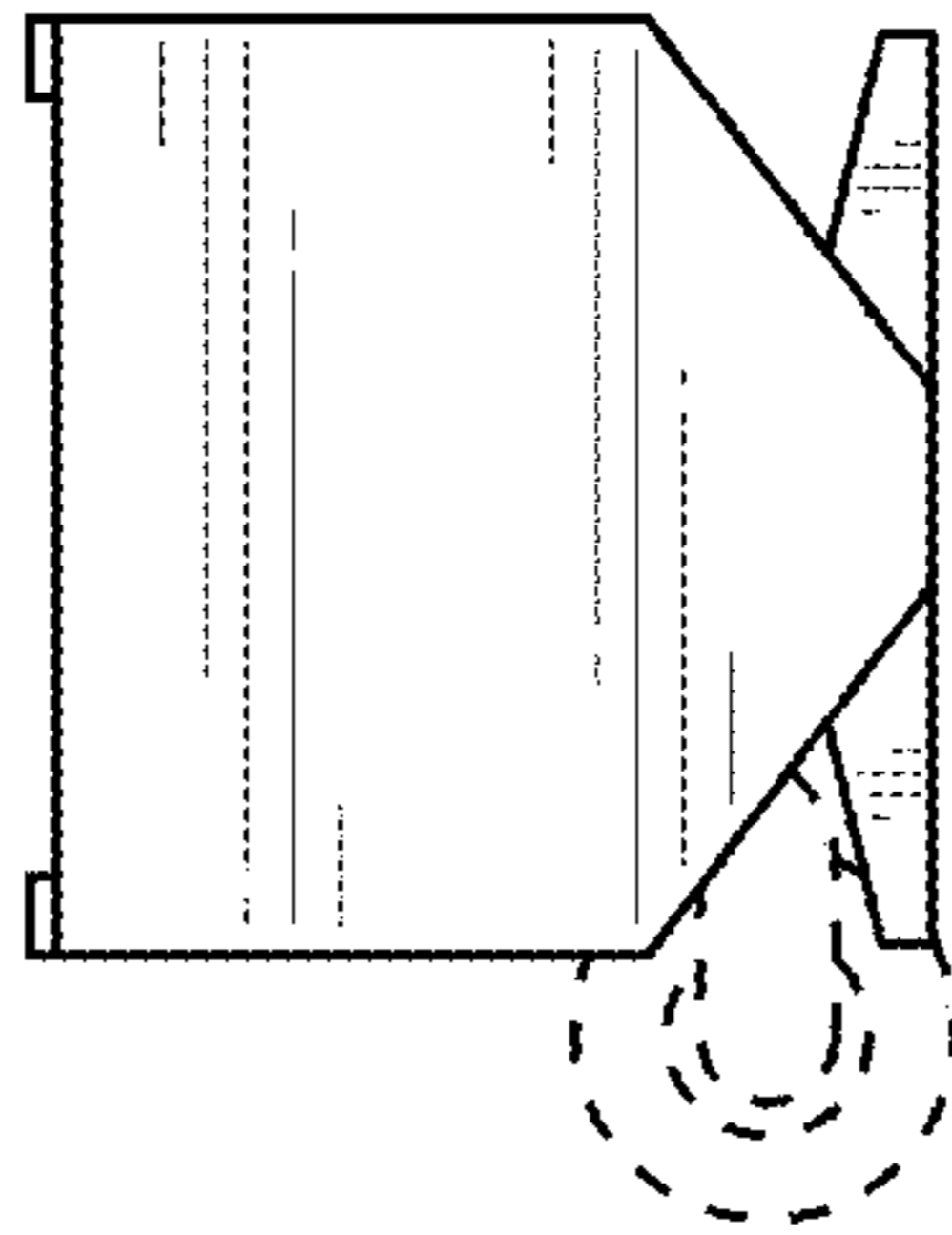
The broken lines in the reproductions illustrate portions of the weigh-in-motion apparatus that form no part of the claimed design.

1 Claim, 8 Drawing Sheets

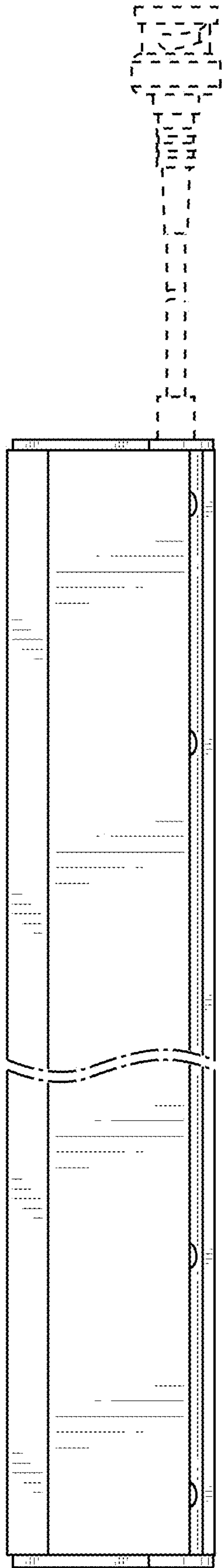




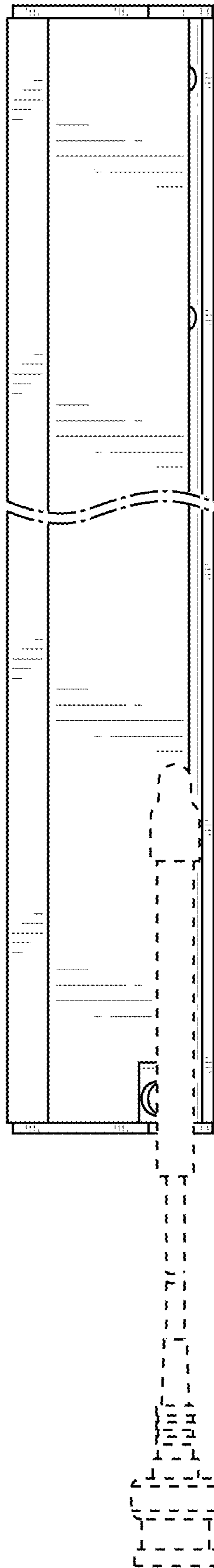
3.1



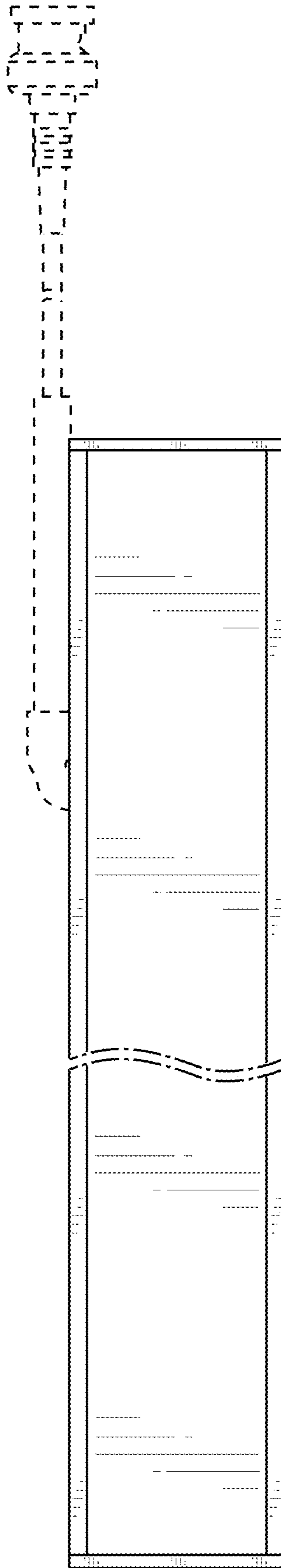
3.2



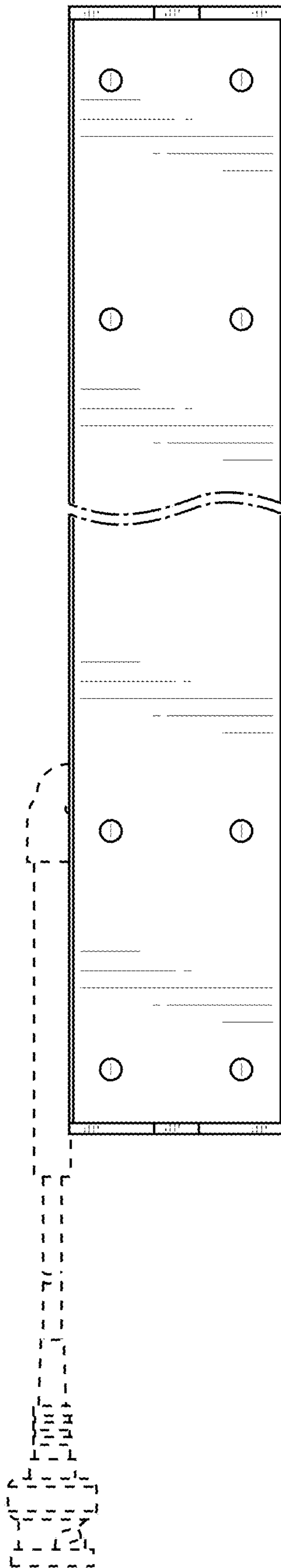
3.3



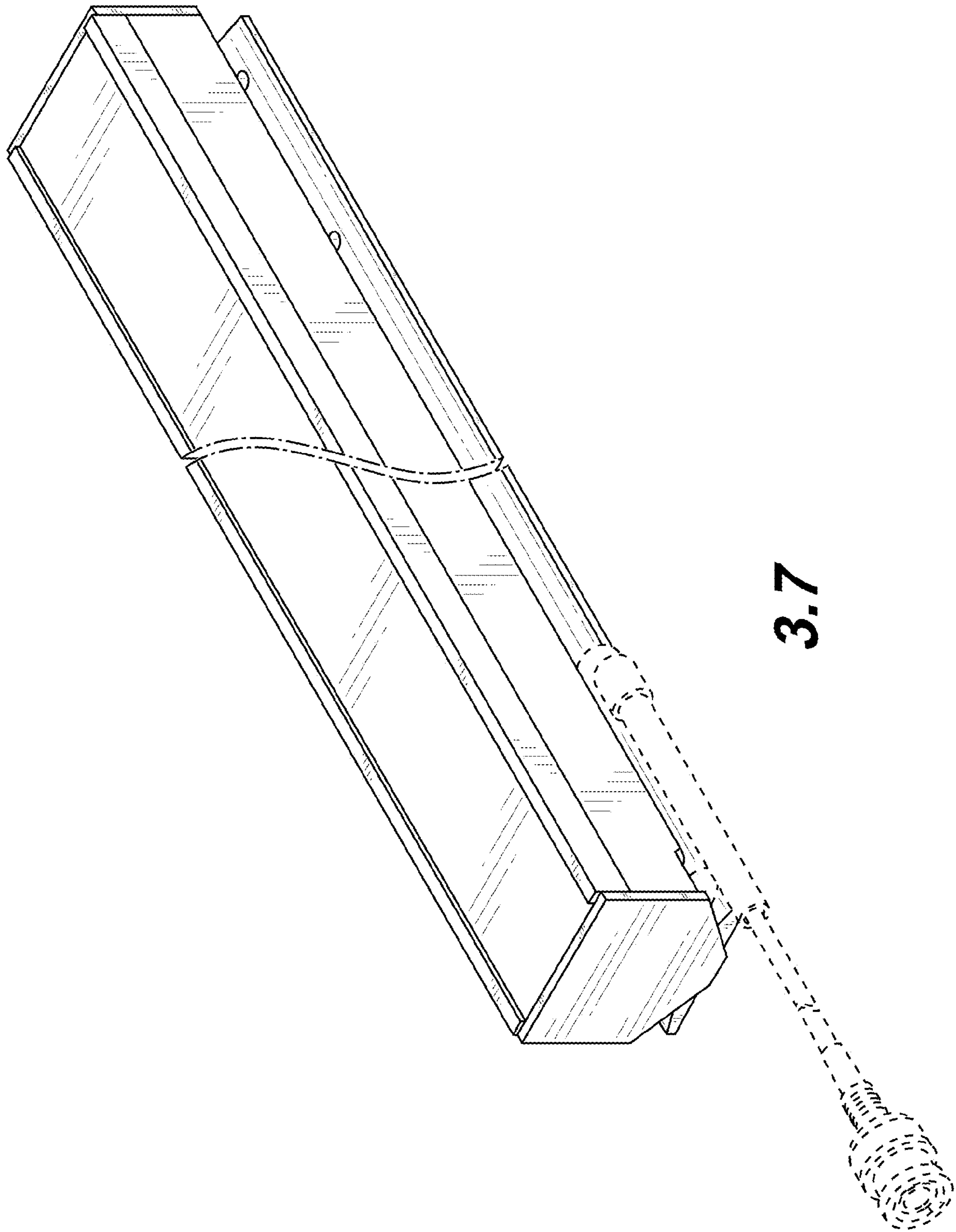
3.4

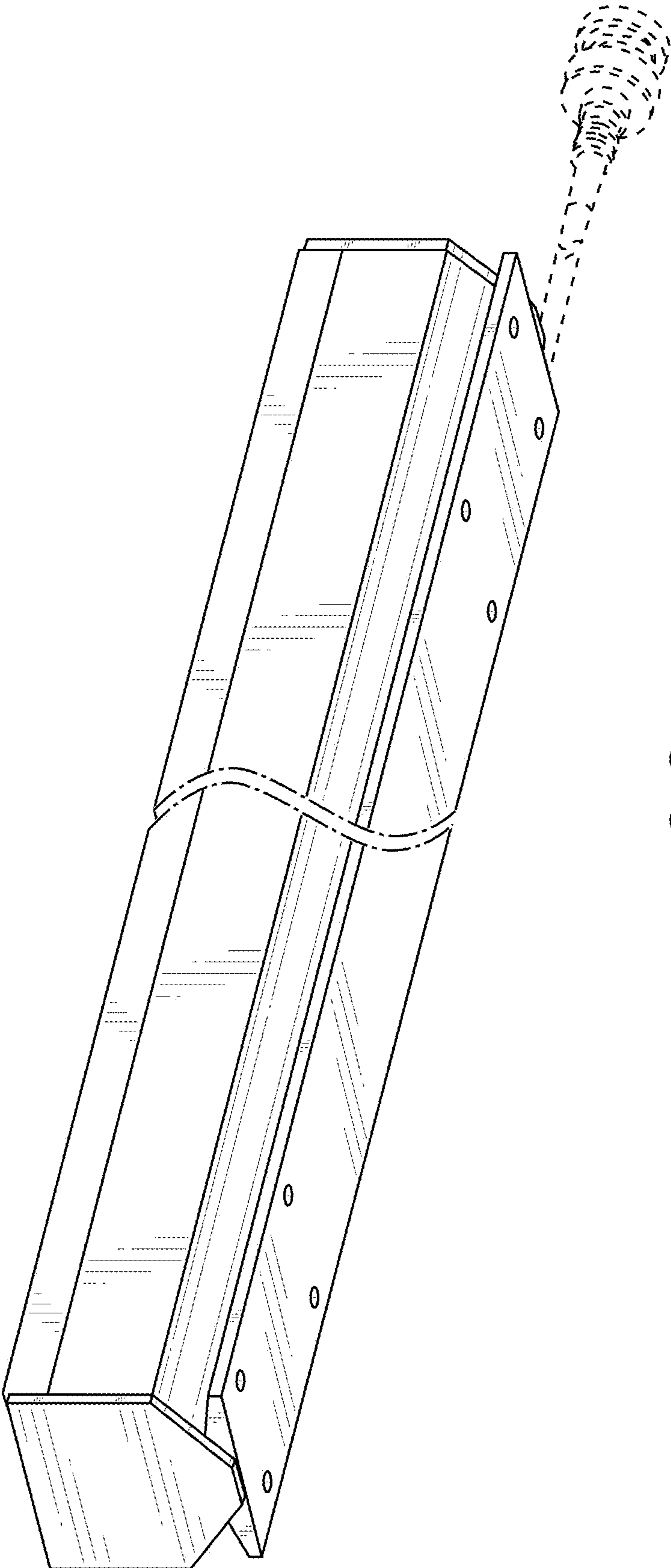


3.5



3.6





3.8