



US00D931747S

(12) **United States Design Patent** (10) **Patent No.:** **US D931,747 S**  
**Bürdel et al.** (45) **Date of Patent:** **\*\* Sep. 28, 2021**

(54) **GAS ANALYZER**

35/00-35/1097; G01N  
2035/00019-2035/1093; G01N  
2204/022-2204/0228

(71) Applicant: **Mettler-Toledo GmbH**, Greifensee  
(CH)

See application file for complete search history.

(72) Inventors: **Simon Bürdel**, Aarau (CH); **Marcel Eric Delavy**, Zürich (CH); **Michael Roth**, Zürich (CH)

(56) **References Cited**

U.S. PATENT DOCUMENTS

(73) Assignee: **Mettler-Toledo GmbH**, Greifensee  
(CH)

D828,575 S \* 9/2018 Ohno ..... D24/216  
D834,724 S \* 11/2018 Mathers ..... D24/232  
2006/0008866 A1 \* 1/2006 Flick ..... G01N 21/6486  
435/34  
2015/0362431 A1 \* 12/2015 Wong ..... B01L 3/5027  
506/12

(\*\*) Term: **15 Years**

\* cited by examiner

(21) Appl. No.: **29/701,048**

*Primary Examiner* — Antoine Duval Davis  
(74) *Attorney, Agent, or Firm* — Standley Law Group  
LLP; Jeffrey S. Standley; Stephen L. Grant

(22) Filed: **Aug. 8, 2019**

(30) **Foreign Application Priority Data**

Feb. 15, 2019 (EM) ..... 006255568

(51) **LOC (13) Cl.** ..... **10-04**

(52) **U.S. Cl.**  
USPC ..... **D10/81; D24/186**

(58) **Field of Classification Search**

USPC ..... D10/81; D24/216, 232, 234  
CPC .. G01N 27/409; G01N 27/41; G01N 33/0036;  
G01N 33/0039; G01N 33/004; G01N  
21/00; G01N 21/01; G01N 2201/022;  
G01N 2201/0221; G01N 2201/0222;  
G01N 2201/0224; G01N 2201/0225;  
G01N 2201/0227; G01N 2201/0228;  
G01N 2201/024; G01N 2201/0245; G01N  
2021/0112-21/958; G01N  
2021/0106-2021/9586; G01N

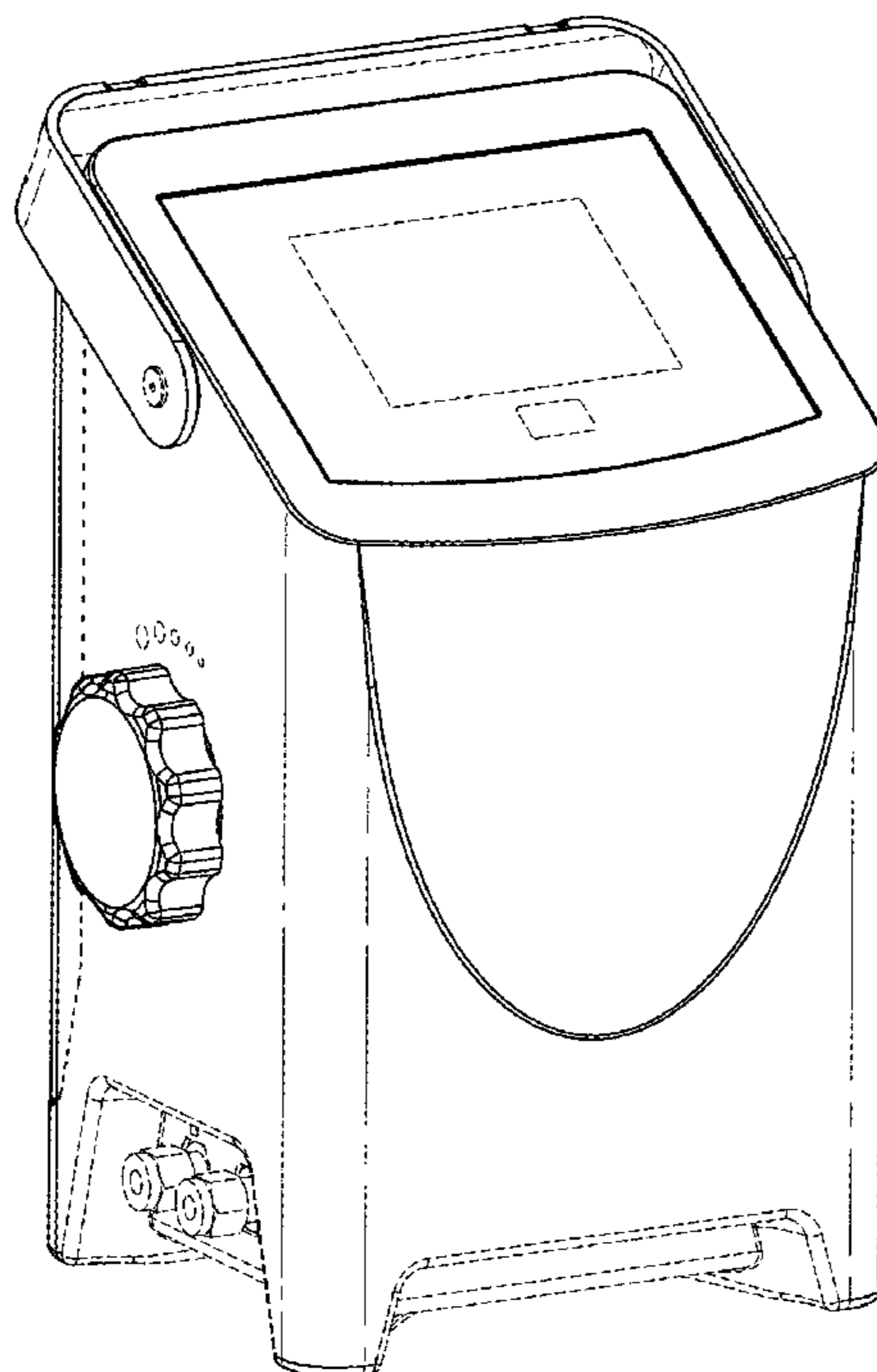
(57) **CLAIM**

The ornamental design for a gas analyzer, as shown and described.

**DESCRIPTION**

FIG. 1 is a front perspective view of a gas analyzer;  
FIG. 2 is a front elevation view thereof;  
FIG. 3 is a rear elevation view thereof;  
FIG. 4 is a left-side plan view thereof;  
FIG. 5 is a right-side plan view thereof; and,  
FIG. 6 is a top plan view thereof.  
The bottom is not ornamented, so no view thereof is presented.  
The broken lines define the bounds of the claimed design and form no part thereof.

**1 Claim, 6 Drawing Sheets**



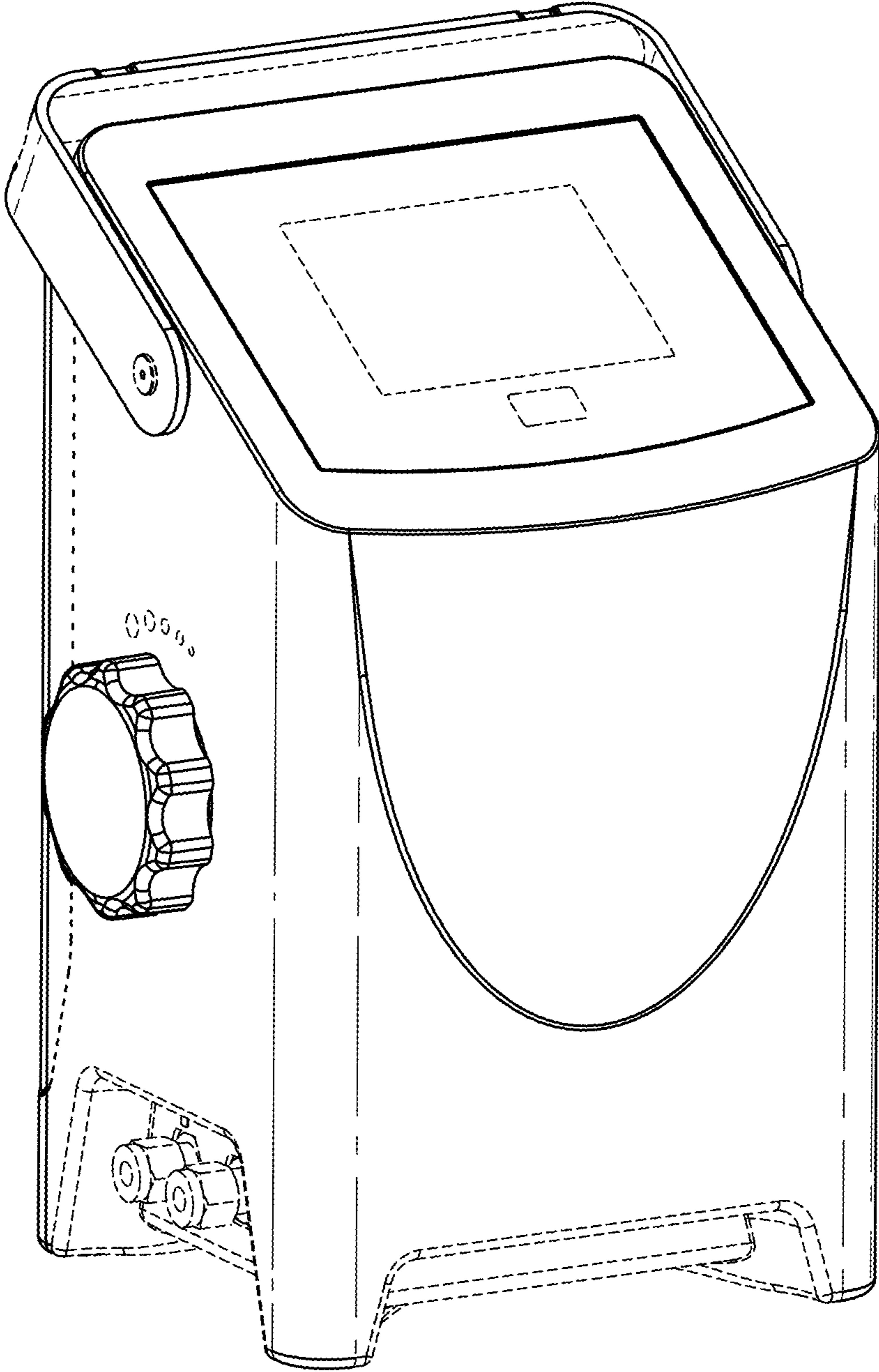


FIG. 1

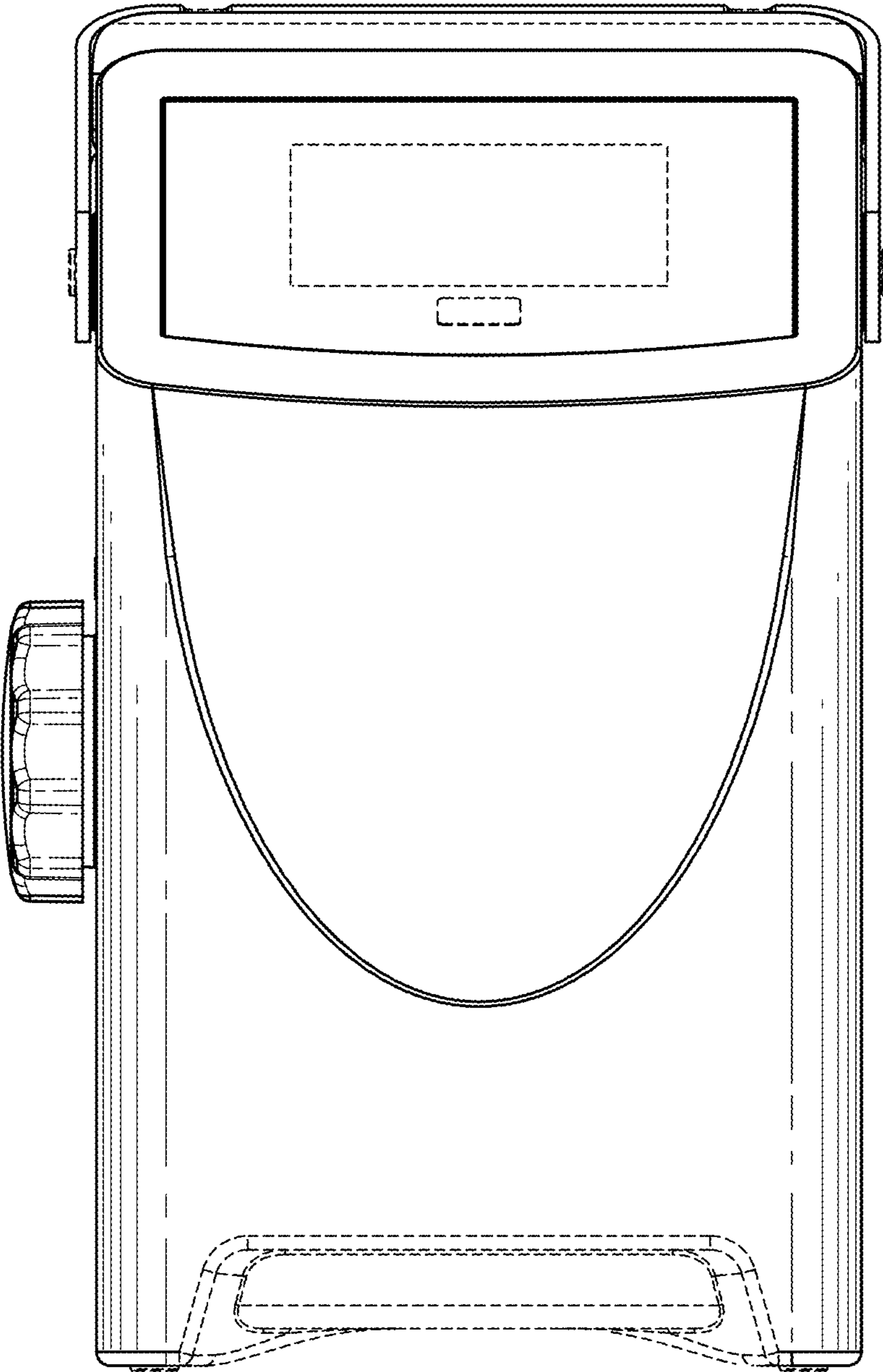


FIG. 2

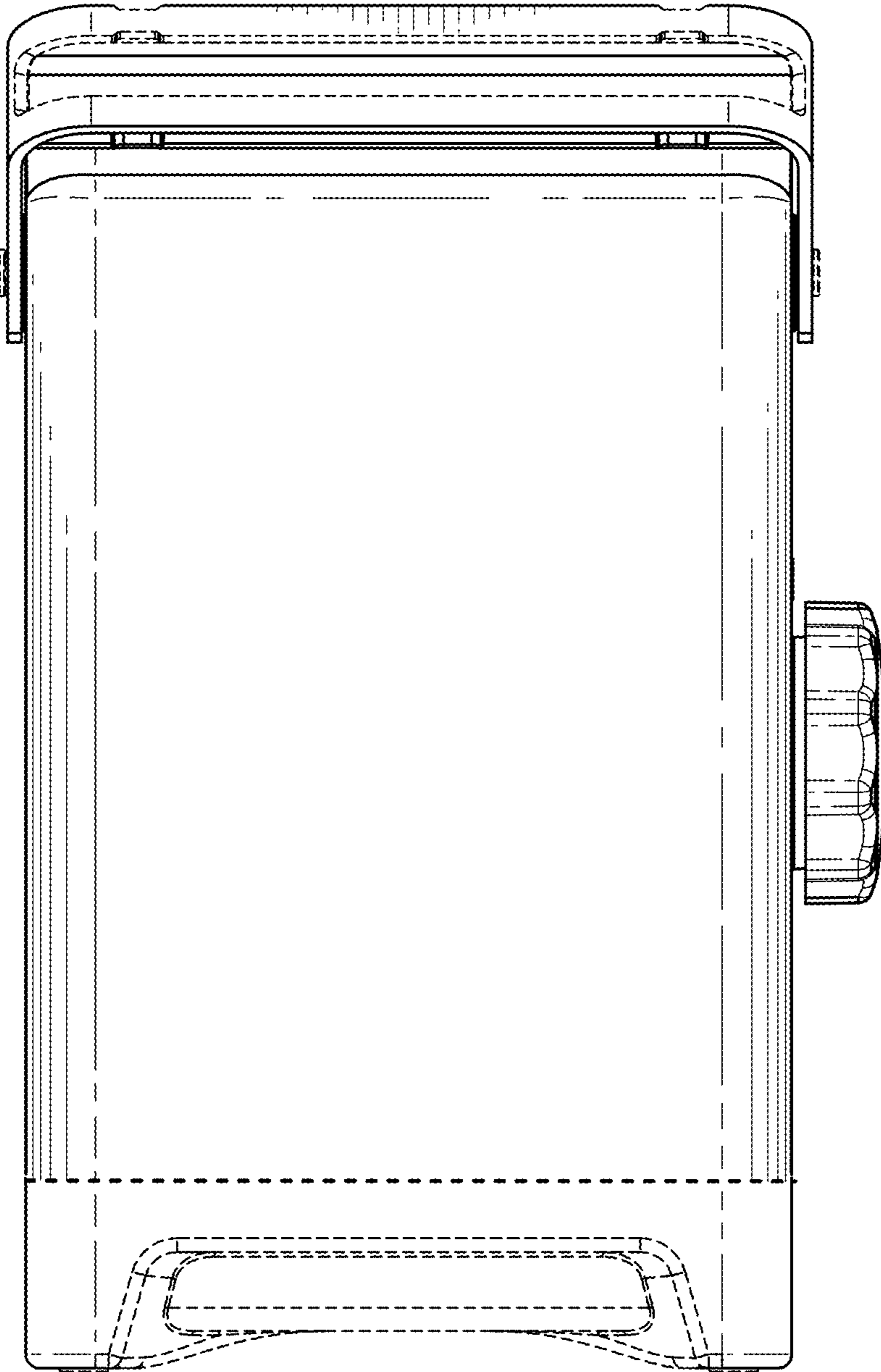


FIG. 3

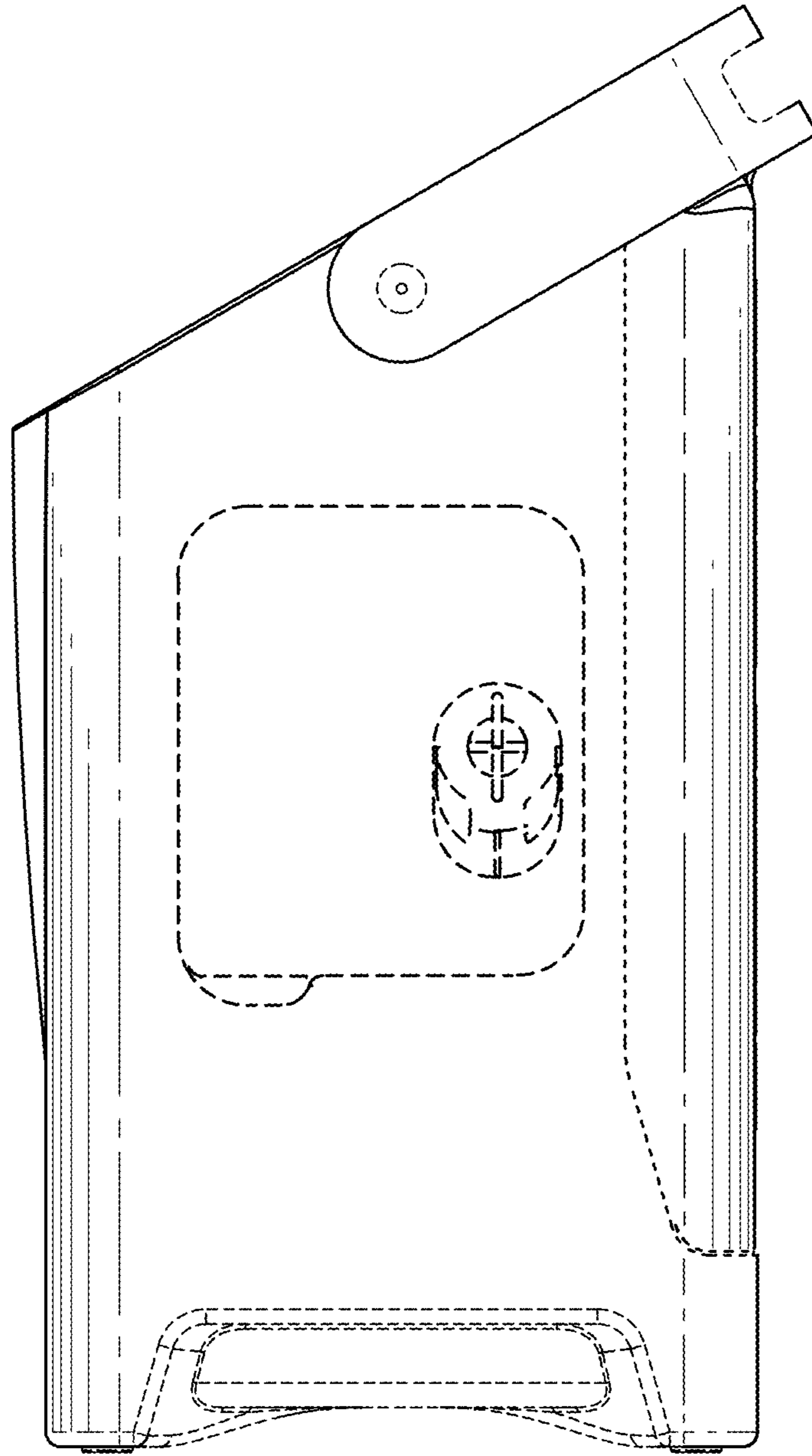


FIG. 4

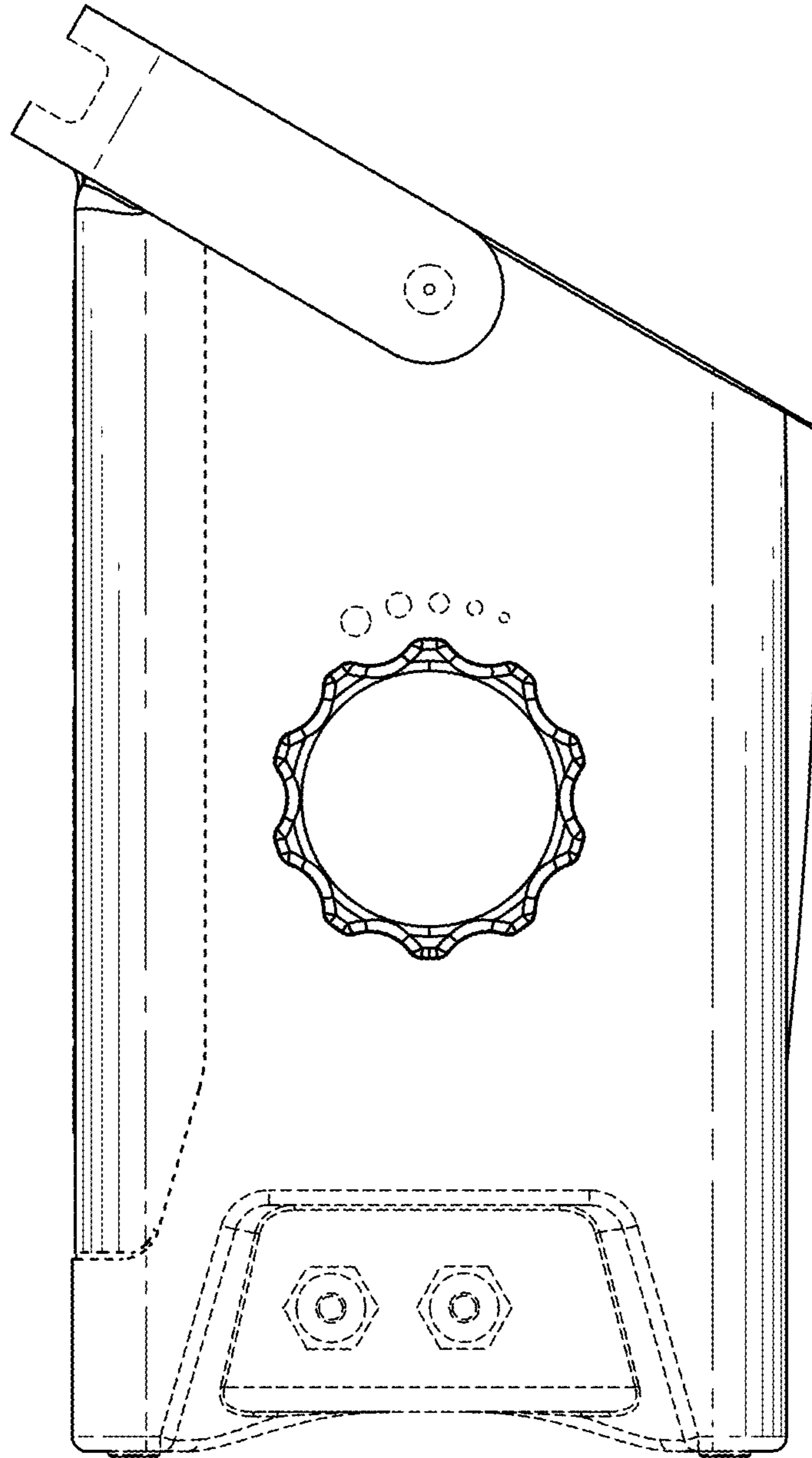


FIG. 5

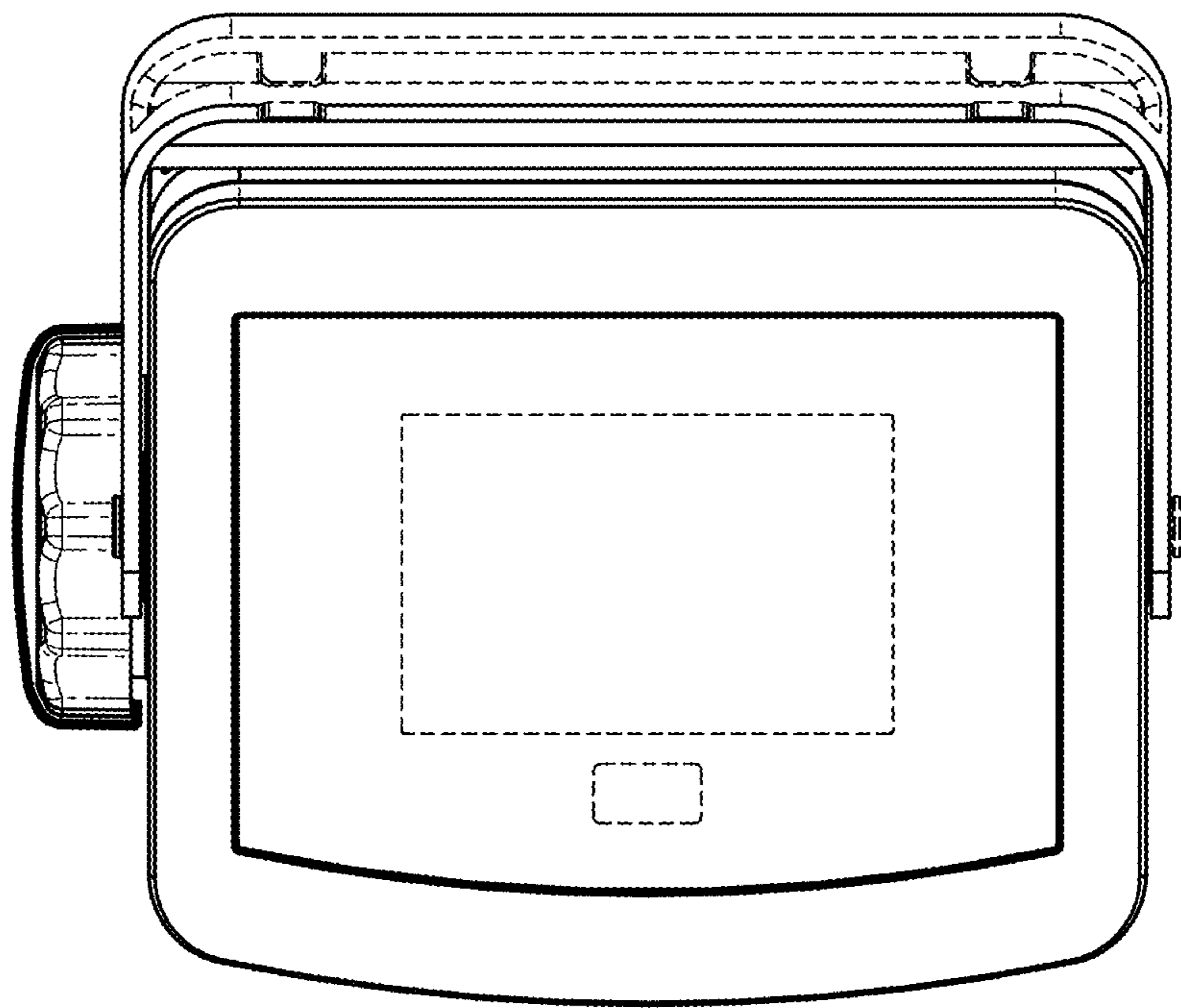


FIG. 6