



US00D931746S

(12) **United States Design Patent** (10) **Patent No.:** **US D931,746 S**
Lu (45) **Date of Patent:** **** Sep. 28, 2021**

(54) **BATTERY TESTER**

(56) **References Cited**

(71) Applicant: **AUTEL INTELLIGENT TECHNOLOGY CORP., LTD.,**
Guangdong (CN)

U.S. PATENT DOCUMENTS

D460,923 S * 7/2002 Chen D10/52
D569,749 S * 5/2008 Silverio D10/78

(Continued)

(72) Inventor: **Boming Lu,** Guangdong (CN)

FOREIGN PATENT DOCUMENTS

(73) Assignee: **AUTEL INTELLIGENT TECHNOLOGY CORP., LTD.,**
Shenzhen (CN)

CN 305153128 * 4/2018
CN 305945881 * 12/2019

(Continued)

(**) Term: **15 Years**

OTHER PUBLICATIONS

(21) Appl. No.: **29/720,271**

Foxwell, Car Battery Load Tester, Date first available Sep. 5, 2019, [online]retrieved Feb. 23, 2021, available from [\(Continued\)](https://www.amazon.com/FOXWELL-Battery-Analyzer-Starting-Charging/dp/B07XFHGZ3N/ref=sr_1_19_sspa?crd=I73TT82FMMCJ&dchild=1&keywords=foxwell+car+battery+tester&qid=1614093456&sprefix=foxwell+c (Year: 2019).*</p></div>
<div data-bbox=)

(22) Filed: **Jan. 10, 2020**

Primary Examiner — Keli L Hill
Assistant Examiner — Sara S Sahneh

(30) **Foreign Application Priority Data**

Jul. 11, 2019 (CN) 201930368325.9

(51) **LOC (13) Cl.** **10-05**

(52) **U.S. Cl.**
USPC **D10/77; D10/75**

(58) **Field of Classification Search**
USPC D10/46, 61, 70-80, 52, 53, 65, 69;
33/701, 771, 751, 767, 762, 755, 758,
33/761, 700, 285, 703, 756; 324/426,
324/427, 428, 429, 430, 431, 432, 433,
324/434, 435, 436, 437; 701/33.3, 31.4,
701/29.6, 34.4, 32.7, 32.8, 833.2, 31.2,
701/29.1, 99, 101, 102, 115; 702/81;
705/26.9

CPC A63B 67/068; G01B 3/1005; G01B
2003/1012; G01B 3/1003; G01B 3/10;
G01B 3/1007; G01B 2003/1058; G01B
3/1041; G01B 3/1069; G01B 3/102;
G01B 1/00; G01B 2003/1097; G01B
3/11; G01B 3/1061; G01B 2003/1069;
G01B 11/26; H04Q 9/00; G08B 3/00;
G01K 15/005; H04L 67/303; H04L
67/12; G05B 19/0426;

(Continued)

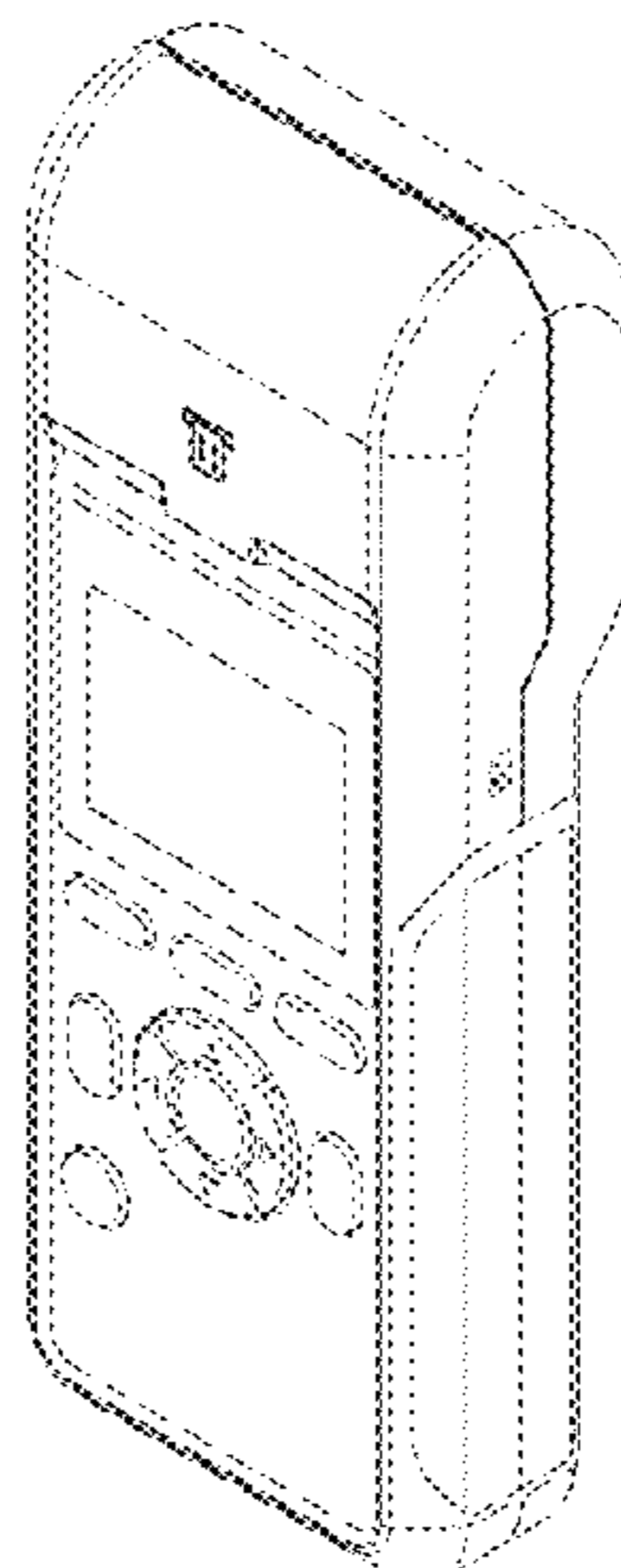
(57) **CLAIM**

I claim the ornamental design for a battery tester, as shown and described.

DESCRIPTION

FIG. 1 is a front elevational view of a battery tester showing my new design;
FIG. 2 is a back elevational view thereof;
FIG. 3 is a right side elevational view thereof;
FIG. 4 is a left side elevational view thereof;
FIG. 5 is a top plan view thereof;
FIG. 6 is a bottom plan view thereof; and,
FIG. 7 is a perspective view thereof.

(Continued)



The broken lines in the drawings are shown for the purpose of illustrating portions of the battery tester and form no part of the claimed design.

1 Claim, 6 Drawing Sheets

(58) Field of Classification Search

CPC G05B 2219/25428; G01R 13/02; G01R 1/025; G01R 15/125; G01R 1/04; G01R 31/007; G01R 31/3648; G01R 31/3693; G01R 31/3627; G01R 22/065; G01R 11/00; G01R 11/04; G08C 17/02; H04B 10/114; H04B 10/11; G01C 15/004; G01C 15/00; G01C 15/002; G01C 15/06; G02B 7/001; Y10T 29/49826; G01M 15/102; G01M 17/00; G07C 5/0808; G07C 2205/02; G07C 5/02; G01D 5/00; G01D 18/008; G06F 1/166; G06F 1/1656; G06F 1/1626; G06F 1/1609; G06F 1/637; G06F 3/03547; H01R 13/7175; H01R 13/629; H01R 13/7172; H01R 13/6691; H01R 13/6275; H01R 13/639; H01R 2201/26; H01R 12/57; F02D 15/00; H05K 5/0247; H05K 1/181; H05K 2201/10545

See application file for complete search history.

(56) References Cited

U.S. PATENT DOCUMENTS

D625,209 S * 10/2010 Chen D10/78
 D646,188 S * 10/2011 Chen D10/78

D684,073 S * 6/2013 Elrod D10/78
 D711,754 S * 8/2014 Kummer D10/78
 D720,243 S * 12/2014 Elrod D10/52
 D779,350 S * 2/2017 Shen D10/78
 D838,611 S * 1/2019 Xie D10/78
 D839,113 S * 1/2019 Xie D10/78
 D839,756 S * 2/2019 Pang D10/52
 D846,413 S * 4/2019 Wang D10/78
 2014/0042294 A1* 2/2014 Marzynski F16M 13/022
 248/693

FOREIGN PATENT DOCUMENTS

CN 306127190 * 6/2020
 CN 306139402 * 6/2020
 CN 306209519 * 6/2020

OTHER PUBLICATIONS

Ancel Store, Automotive Battery Load Tester, Date first available May 12, 2017, [online]retrieved Feb. 23, 2021, available from https://www.amazon.com/ANCEL-BST500-100-2000-Automotive-Motorcycles/dp/B071VQXDJD/ref=sr_1_1_ssapa?dchild=1&keywords=ancel+bst500 (Year: 2017).*

Midtronics, MDX-P300 Battery Starting System Tester, Date first available Jul. 7, 2004, [online]retrieved Feb. 23, 2021, available from https://www.amazon.com/Midtronics-MDX-P300-Chrome-Batt_Elect_and_Charging_Testers/dp/B000K1OHXK/ref=sr_1_1?crid=3JFOWUN1X8D18&d (Year: 2004).*

* cited by examiner

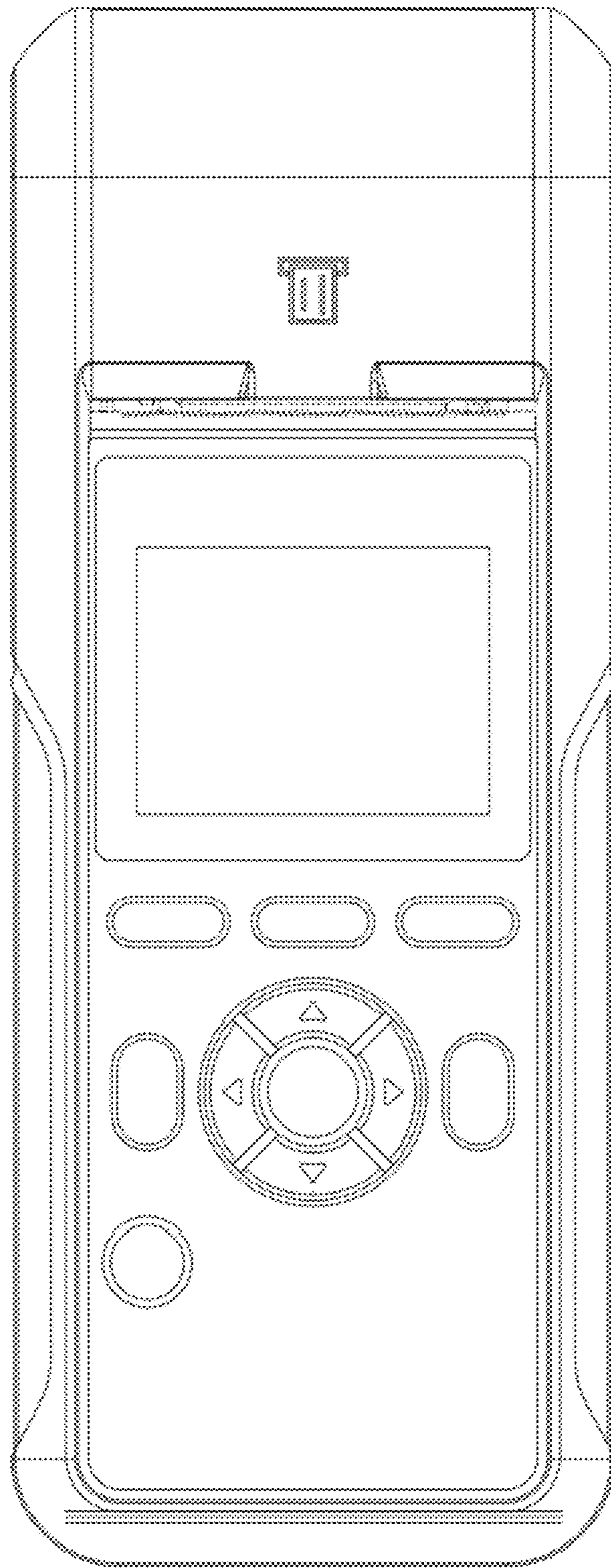


FIG. 1

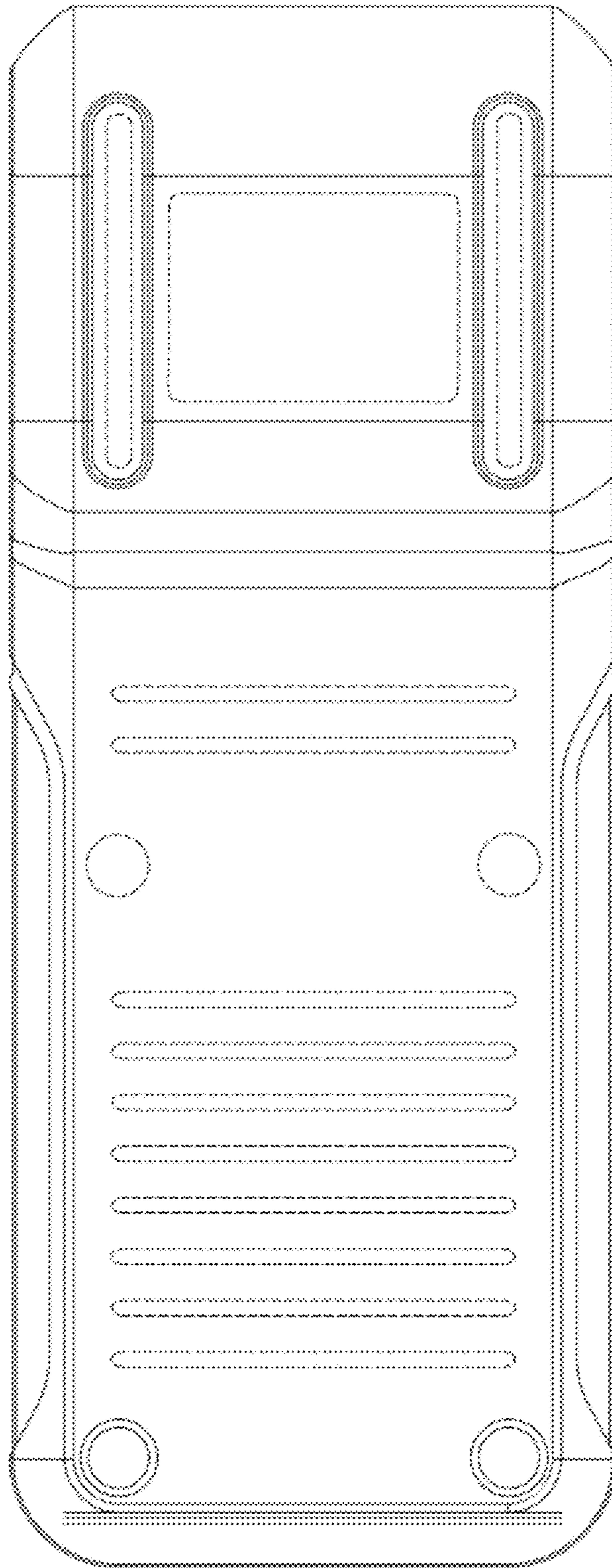


FIG. 2

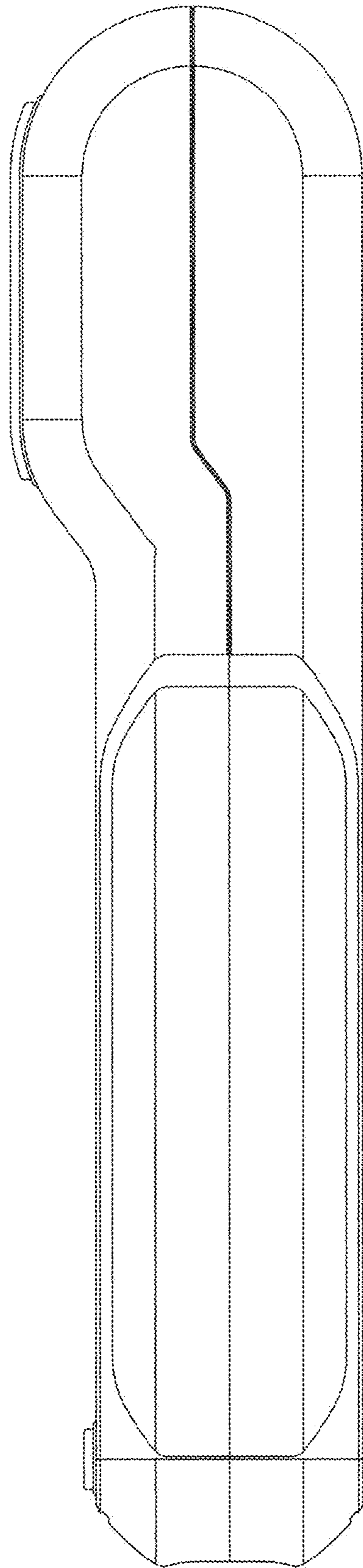


FIG.3

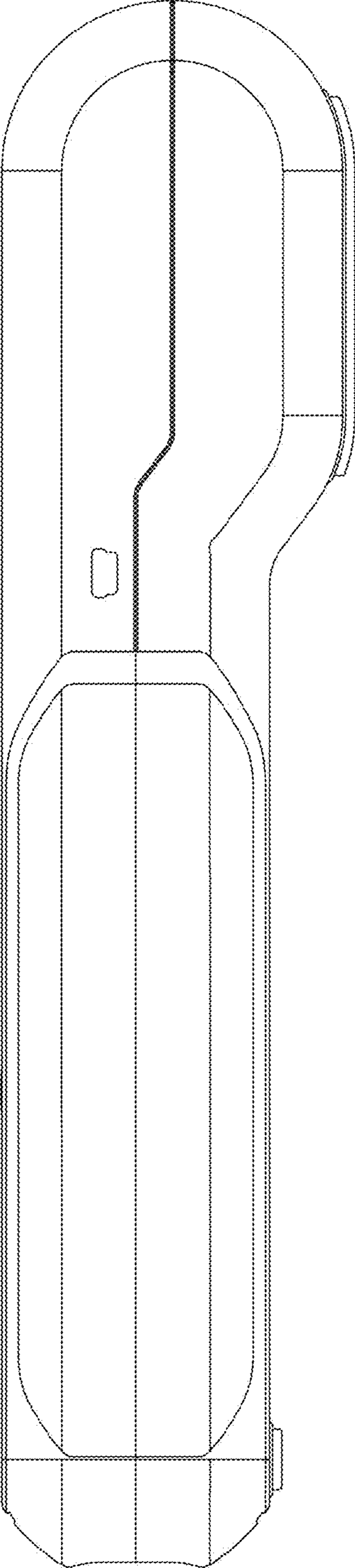


FIG.4

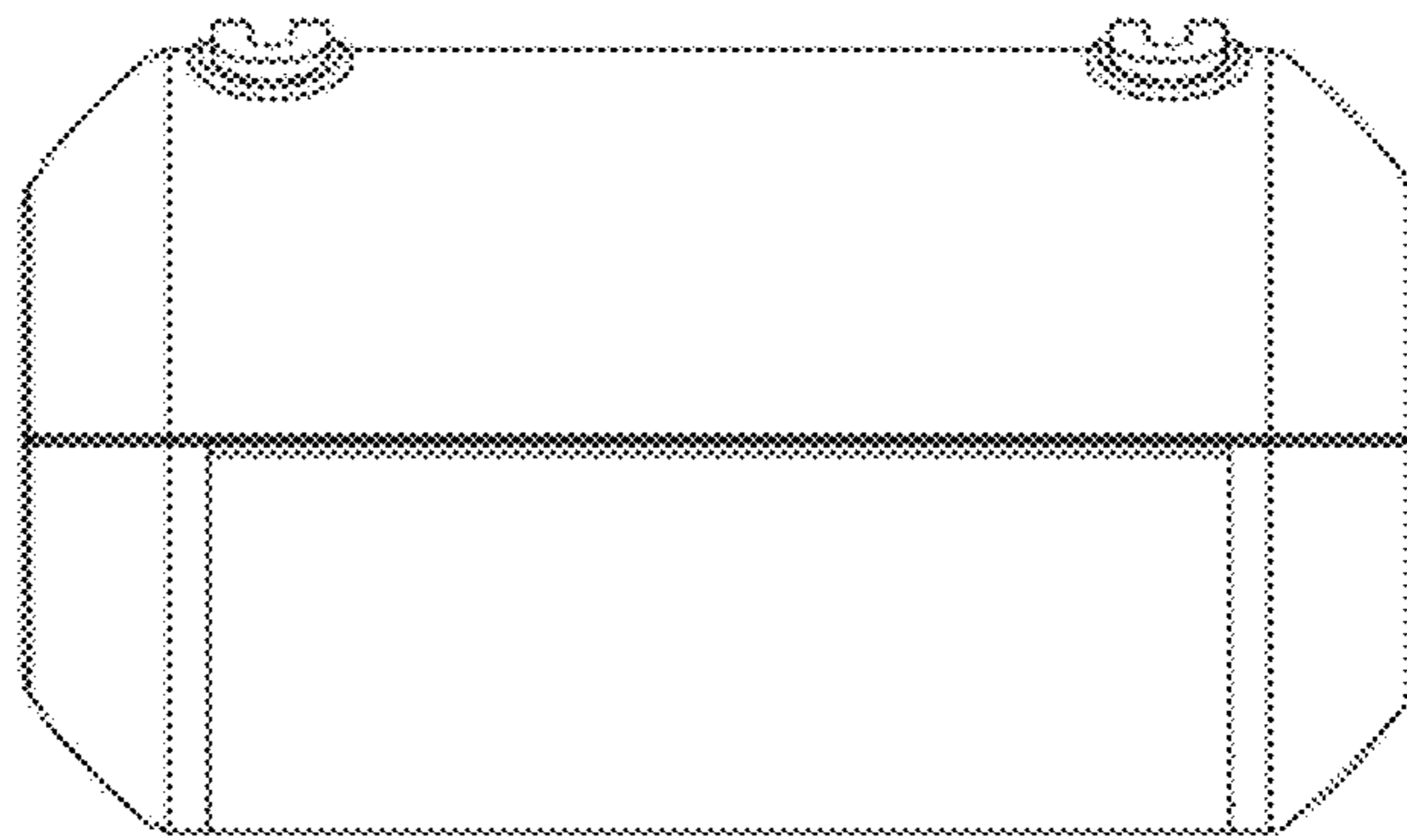


FIG.5

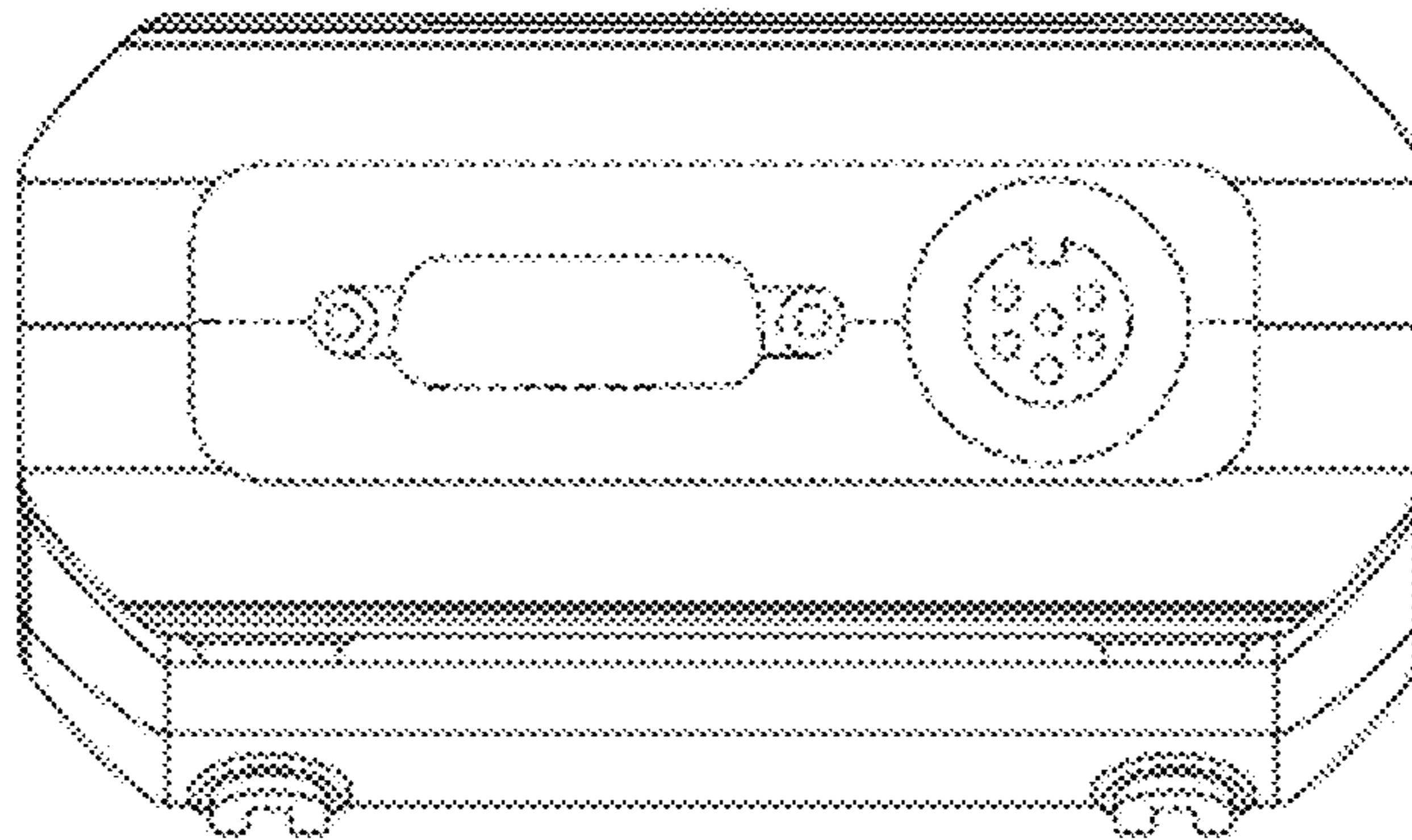


FIG.6

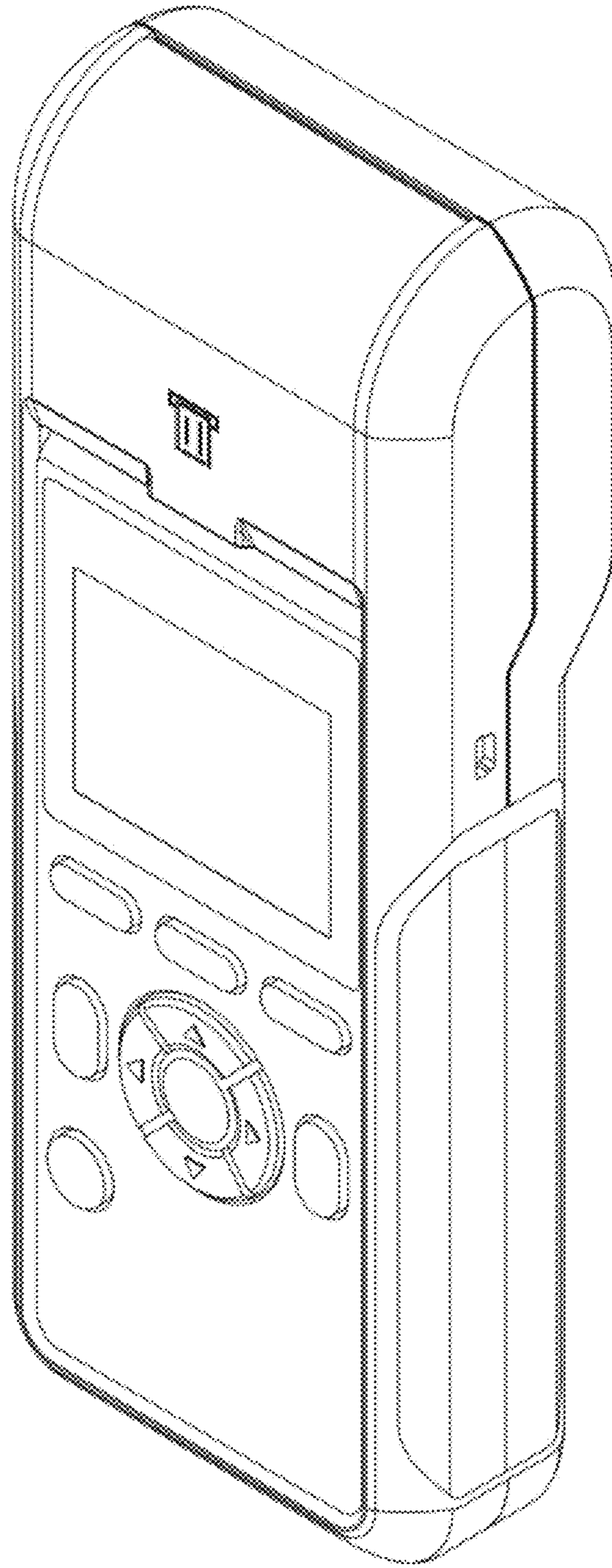


FIG.7